

Top ECO40 W

COVERSHEET

Planned document changes:

Briefly:

No planned changes.

Document changes:

| Date: | Change: | Rev. after change: |
|--------------|---|-------------------------------|
| 2024-11-06 | Powerplugs for EC204B added. | E |
| 2023-08-22 | Details for Top bracket corrected. | D |
| 2023-03-15 | Powerplugs for EC206B corrected. | C |
| 2023-01-26 | Block, attachment, and coverplate replaced. | B |
| 2022-08-25 | Torques added. | A |
| 2021-10-25 | New document. | - |

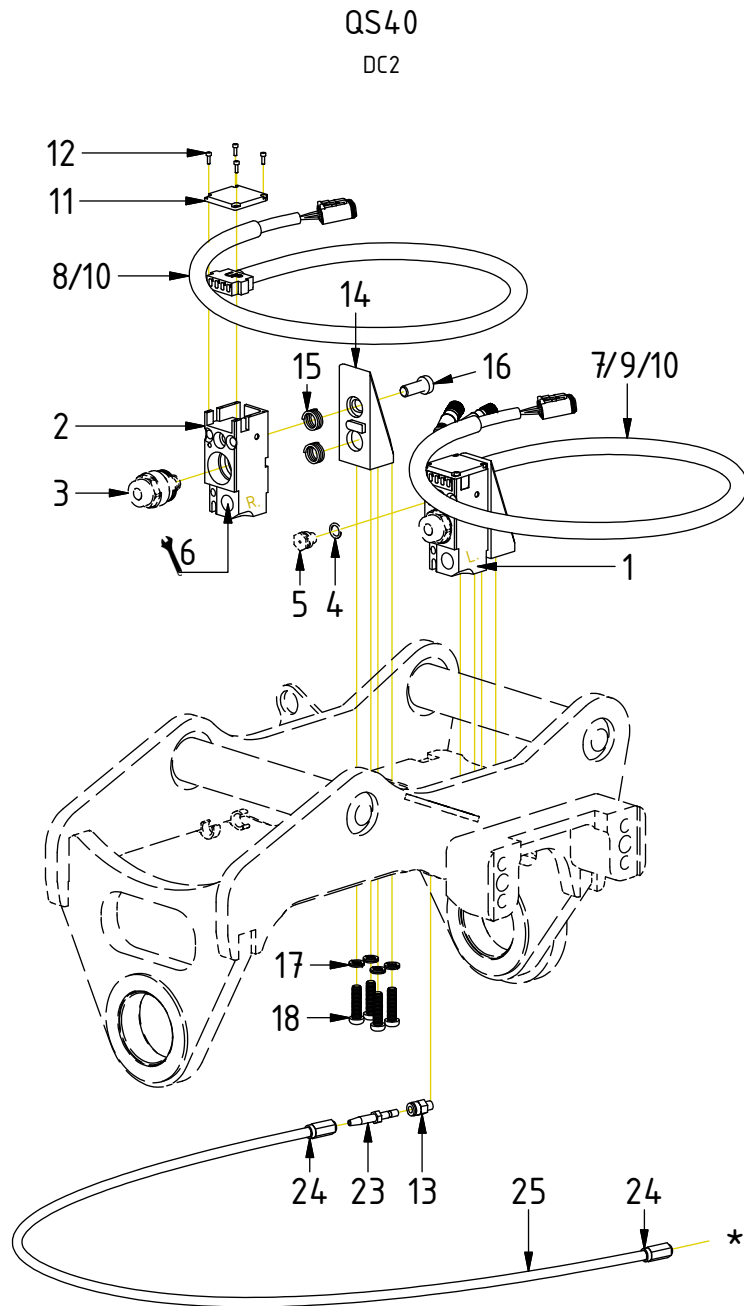
Readers note:

Indicates instruction.

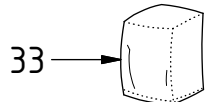
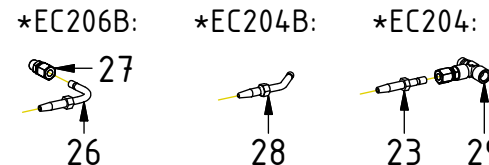


Represents Hose.

Dashed lines for overview, mounts
on other pages/assemblies.

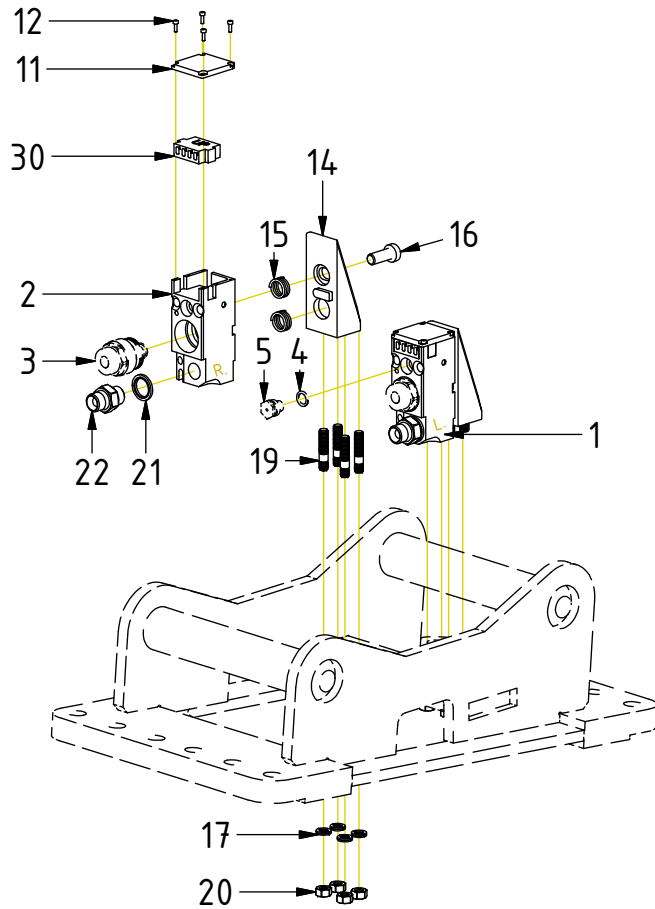


| POS | DESCRIPTION | PART | QTY | COMMENTS |
|-----|---|---------|-----|--|
| 1 | Block ECO40W Top 1hy.1cl. Complete | 1069401 | 1 | (POS.3-5 incl.) |
| 2 | Block ECO40W Top 1y. Complete | 1069402 | 1 | (POS.3 incl.) |
| 3 | Coupling ECO40 3/8" male | 1028873 | 2 | Torque: 60Nm |
| 4 | Washer Copper 14x10 | 6000065 | 1 | |
| 5 | Button head fitting 1/8" stainless | 810505 | 1 | Loxéal 58-12. Torque: 30Nm |
| 6 | Adapters according to Top part | | | See "Top part" |
| 7 | Power Plug ECO40W w. 2x M12 204B | 8002454 | 1 | EC204B Left |
| 8 | Power Plug ECO40W 204B | 8002288 | 1 | EC204B Right |
| 9 | Power Plug ECO40W w. 2x M12 206B | 8001885 | 1 | EC206B Left |
| 10 | Power Plug ECO40W EC206B/EC204/Top bracket | 1057841 | 1 | EC206B Right QTY: 2 for EC204 & Top bracket |
| 11 | Coverplate ECO40 W Top V2 | 1069398 | 2 | |
| 12 | Screw MC6S M2,5x8 8,8 FZB | 6000325 | 8 | |
| 13 | Straight Push-in M8x1 | 790185 | 1 | Loxéal 83-52 |
| 14 | Attachment block ECO40 W Top V2 | 1069400 | 2 | |
| 15 | Spring Dy18 Dt2 L015 Lst max8,5 | 6000324 | 4 | |
| 16 | Screw MLC6S M10x25 8,8 FZB | 6000323 | 2 | Loxéal 83-52 |
| 17 | Washer NL 8mm | 611040 | 8 | |
| 18 | Screw TX45 M8x30 FZB 10,9 | 612201 | 8 | Torque: 34Nm |
| 23 | Pipe stub straight Push-in 20mm | 7001521 | 2 | |
| 24 | Screw socket HT-hose | 7000585 | 2 | |
| 25 | Grease hose bulk 100m | 7001303 | 1 | EC206B: 1030mm. EC204B: 420mm. EC204: 380mm |
| 26 | Pipe stub 90° Push-in | 7000318 | 1 | |
| 27 | Adapter coupl. R1/8" w. cutting ring | 7001721 | 1 | (Replaces the plug on motor block) |
| 28 | Push-In Tube sleeve 45° Push-In | 7001980 | 1 | |
| 29 | L-adapter S2070 1/8-1/8 | 7001309 | 1 | |
| 33 | Transport Protection ECO-Block | 1062517 | 1 | Part of make up |

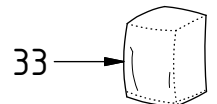
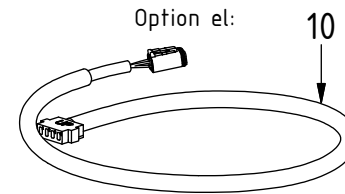


POS in order of assembly

Top bracket QS40 Modular config.



| POS | DESCRIPTION | PART | QTY | COMMENTS |
|-----|---|---------|-----|--|
| 1 | Block ECO40W Top 1hy.1cl. Complete | 1069401 | 1 | (POS.3-5 incl.) |
| 2 | Block ECO40W Top 1y. Complete | 1069402 | 1 | (POS.3 incl.) |
| 3 | Coupling ECO40 3/8" male | 1028873 | 2 | Torque: 60Nm |
| 4 | Washer Copper 14x10 | 6000065 | 1 | |
| 5 | Button head fitting 1/8" stainless | 810505 | 1 | Loxreal 58-12. Torque: 30Nm |
| 10 | Power Plug ECO40W EC206B/EC204/Top bracket | 1057841 | 1 | EC206B Right QTY: 2 for EC204 & Top bracket |
| 11 | Coverplate ECO40 W Top V2 | 1069398 | 2 | |
| 12 | Screw MC6S M2,5x8 8,8 FZB | 6000325 | 8 | |
| 14 | Attachment block ECO40 W Top V2 | 1069400 | 2 | |
| 15 | Spring Dy18 Dt2 L015 Lst max8,5 | 6000324 | 4 | |
| 16 | Screw MLC6S M10x25 8,8 FZB | 6000323 | 2 | Loxreal 83-52 |
| 17 | Washer NL 8mm | 611040 | 8 | |
| 19 | Stud bolt 8x30 | 611185 | 8 | Loxreal 83-52 |
| 20 | Nut steel m8 | 611187 | 8 | |
| 21 | Washer GBR06 3/8 | 710703 | 2 | |
| 22 | Adapter 136-06-06 (3/8") | 710106 | 2 | |
| 28 | Push-In Tube sleeve 45° Push-In | 7001980 | 1 | |
| 30 | Plug ECO40 W - Top | 1063916 | 2 | |
| 33 | Transport Protection ECO-Block | 1062517 | 1 | Part of make up |



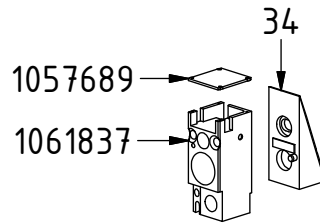
POS in order of assembly

SPARE PARTS

| POS | DESCRIPTION | PART | QTY | COMMENTS |
|-----|---------------------------------|---------|-----|---------------------------------|
| 11 | Coverplate ECO40 W Top V2 | 1069398 | 2 | |
| 13 | Straight Push-in M8x1 | 790185 | 1 | Loxeal 83-52 |
| 14 | Attachment block ECO40 W Top V2 | 1069400 | 2 | |
| 23 | Pipe stub straight Push-in 20mm | 7001521 | 2 | |
| 24 | Screw socket HT-hose | 7000585 | 2 | |
| 26 | Pipe stub 90° Push-in | 7000318 | 1 | |
| 29 | L-adapter S2070 1/8-1/8 | 7001309 | 1 | |
| 31 | Protection plug ECO40 Top | 7000152 | 2 | |
| 32 | Plug 70125-06 (3/8") | 711504 | 2 | |
| 34 | Attachment block ECO40 W Top | 1061832 | 1 | Replaced by POS.14 from 2022-11 |
| 35 | Grease hose bulk 100m | 7001303 | 1 | Top bracket: 2000mm |
| 36 | Adapter 90° Push-in - swivel | 790184 | 1 | |

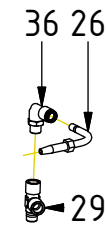
POS in order of assembly

Replaced from 2022-11



Not compatible with current versions

EC206 (6-ch):



Top brackets:

w/o hyd.

