

COVERSHEET

Planned document changes:

Briefly:

Add Torque: 60Nm to POS.4.

Remove washer POS.16 from page 2. Instead use Loctite 2700.

Remove POS.23-24 from page 2.

EC204: POS.19 is 7001521
Grease hose length: 380mm
POS.22 is 7001521

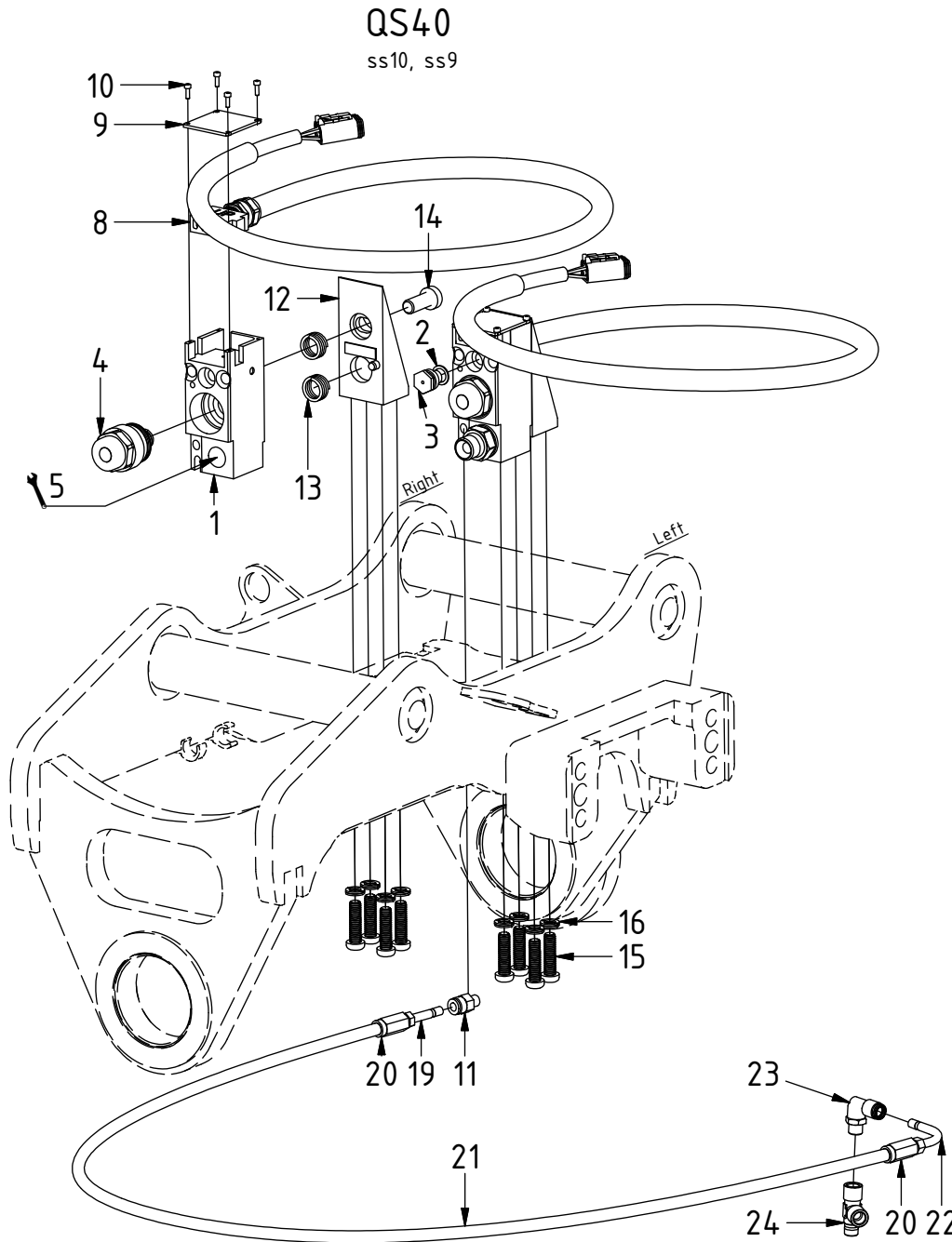
EC206B: POS.19 is 7001521
Grease hose length: 1030mm
POS.22 is 7000318

Grease hose length for top brackets: 2000mm.

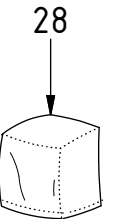
Document changes:

Date:	Change:	Rev. after change:
2022-08-25	Torques added.	A
2021-10-25	New instruction.	-

Top ECO40 W



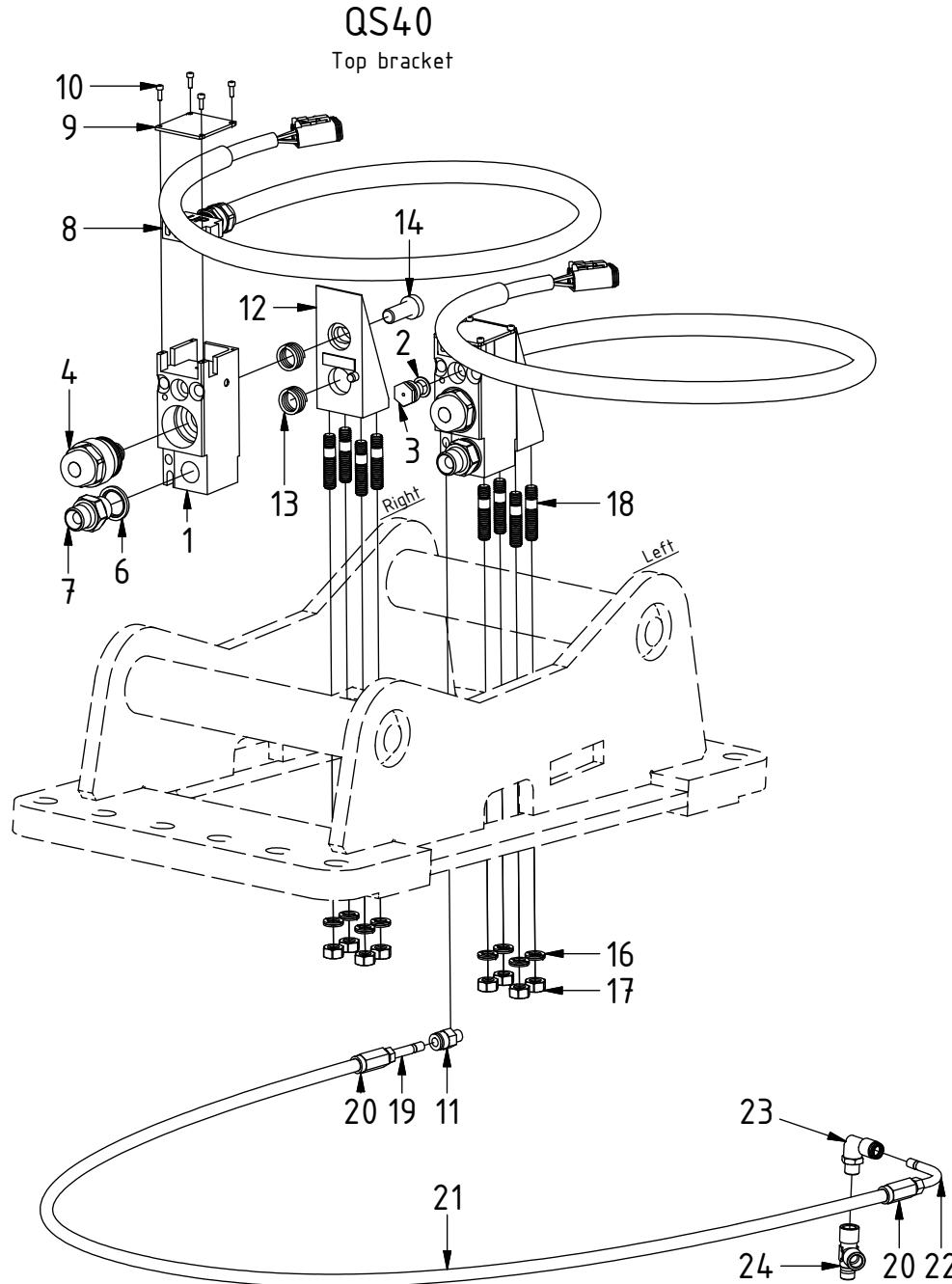
POS	DESCRIPTION	PART	QTY	COMMENTS
1	Block ECO40 W Top	1061326	2	
2	Washer - Copper 14x10	6000065	1	
3	Button head fitting 1/8" stainless	810505	1	Loctite 5400. Torque: 30Nm
4	Coupling ECO40 3/8" male	1028873	2	
5	Adapters according to Top part			See "Top part"
8	Power Plug ECO40 W	1057841	2	
9	Coverplate ECO40 W Top	1057689	2	
10	MC6S 2.5x8 8.8 FZB	6000325	4	
11	Straight Push-in M8x1	790185	1	Loctite 2700
12	Attachment block ECO40 W Top	1061832	2	
13	Spring Dy18 Dt2 L015 Lst max8,5	6000324	4	
14	MLC6S 10x25 8.8 FZB	6000323	2	
15	TX45 8x20 FZB 10.9	6000344	8	Torque: 34Nm
16	Washer NL 8mm	611040	8	
19	Pipe stub straight Push-in	790175	1	
20	Screw socket HT-hose	7000585	1	
21	Grease hose bulk 100m	7001303	1	Cut to length: 1100mm
22	Pipe stub 90° Push-in	7000318	1	
23	Adapter 90° Push-in - R1/8"	790184	1	Loctite 5400
24	L-adapter S2070 1/8-1/8	7001309	1	
28	Transport Protection Block	1062517	2	



Top ECO40 W

No el.
 25

No hyd.
 26
 27



POS	DESCRIPTION	PART	QTY	COMMENTS
1	Block ECO40 W Top	1061326	2	
2	Washer - Copper 14x10	6000065	1	
3	Button head fitting 1/8" stainless	810505	1	Loctite 5400. Torque: 30Nm
4	Coupling ECO40 3/8" male	1028873	2	
6	Washer GBR06 3/8	710703	2	
7	Adapter 136-06-06 (3/8")	710106	2	
8	Power Plug ECO40 W	1057841	2	
9	Coverplate ECO40 W Top	1057689	2	
10	MC6S 2.5x8 8.8 FZB	6000325	4	
11	Straight Push-in M8x1	790185	1	Loctite 2700
12	Attachment block ECO40 W Top	1061832	2	
13	Spring Dy18 Df2 L015 Lst max8,5	6000324	4	
14	MLC6S 10x25 8.8 FZB	6000323	2	
16	Washer NL 8mm	611040	8	
17	Nut steel m8	611187	8	Torque: 34Nm
18	Stud bolt 8x30	611185	8	Loctite
19	Pipe stub straight Push-in	790175	1	
20	Screw socket HT-hose	7000585	1	
21	Grease hose bulk 100m	7001303	1	Cut to length: 1100mm
22	Pipe stub 90° Push-in	7000318	1	
23	Adapter 90° Push-in - R1/8"	790184	1	Loctite 5400
24	L-adapter S2070 1/8-1/8	7001309	1	
25	Plug ECO40 W Top	1063916	2	For no el.
26	Protection plug ECO40 Top	7000152	2	For no hyd.
27	Plug 70125-06 (3/8")	711504	2	For no hyd.
28	Transport Protection Block	1062517	2	

