

COVERSHEET

Planned document changes:

Briefly:

No planned changes.

Document changes:

Date:	Change:	Rev. after change:
2024-04-17	ECO block updated.	C
2023-02-09	ECO lube hose kit included parts added.	B
2022-01-31	ECO photos added.	A
2021-09-07	New document.	-

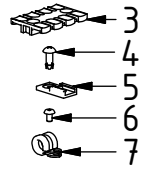
Readers note:

Indicates instruction.

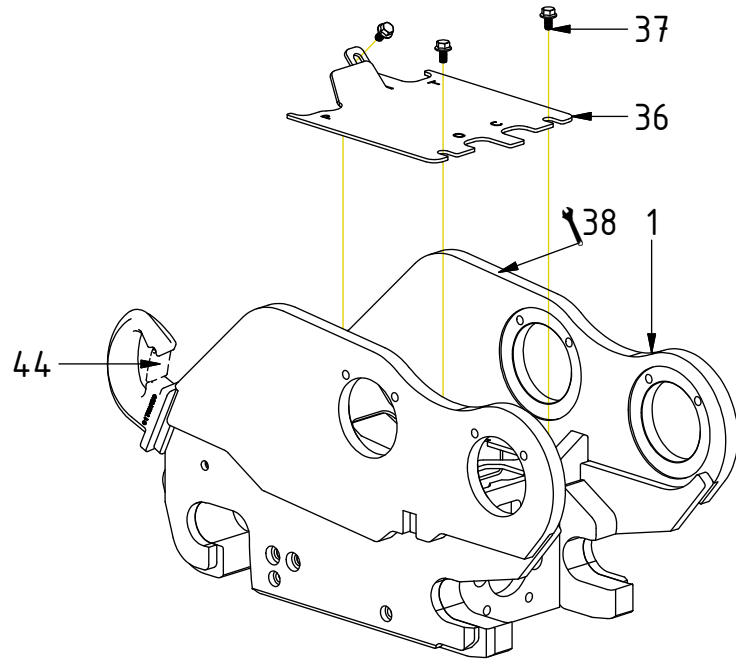


Represents Hose.

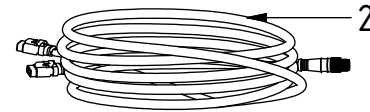
Dashed lines for overview, mounts
on other pages/assemblies.



Without EC-Oil



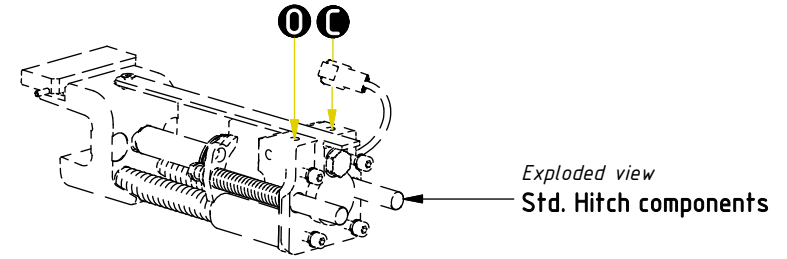
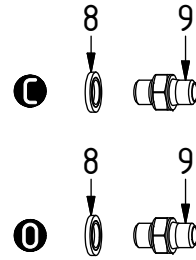
POS	DESCRIPTION	PART	QTY	COMMENTS
1	Quick hitch is selected via engcon			(Machine dependent)
2	Cable QS-QLM-Quick hitch 3,4m	8000863	1	Attach to QS sensors
3	Strain relief plate ZL60	8000703	1	
4	Blind rivet 4,0x12,3 DIN7337	6000294	4	
5	Holder Deutsch coupling	810662	2	
6	Screw K6S M5x8 10.9 FZB	611801	1	
7	Rubber steel clamp ø6	6000027	1	
36	Cover QS40	1058260	1	
37	Screw M6SF 8x12H Riffled	6000120	3	
38	Punch serial number into hitch			
40	Safety latch	404249	1	Lifting hook spare part



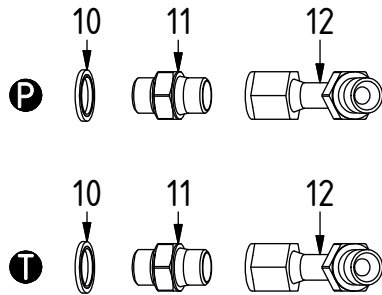
POS in order of assembly

Hydraulics

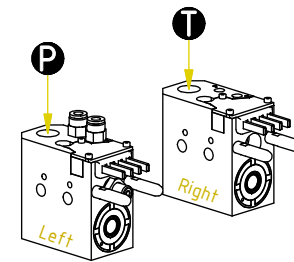
POS	DESCRIPTION	PART	QTY	COMMENTS
8	Washer GBR02 1/8	710701	2	
9	Adapter 136-02-02 (1/8")	710102	2	
10	Washer GBR06 3/8	710703	2	
11	Adapter 136-06-06 (3/8")	710106	2	
12	Adapter 489-06-06 45° (3/8")	710164	2	

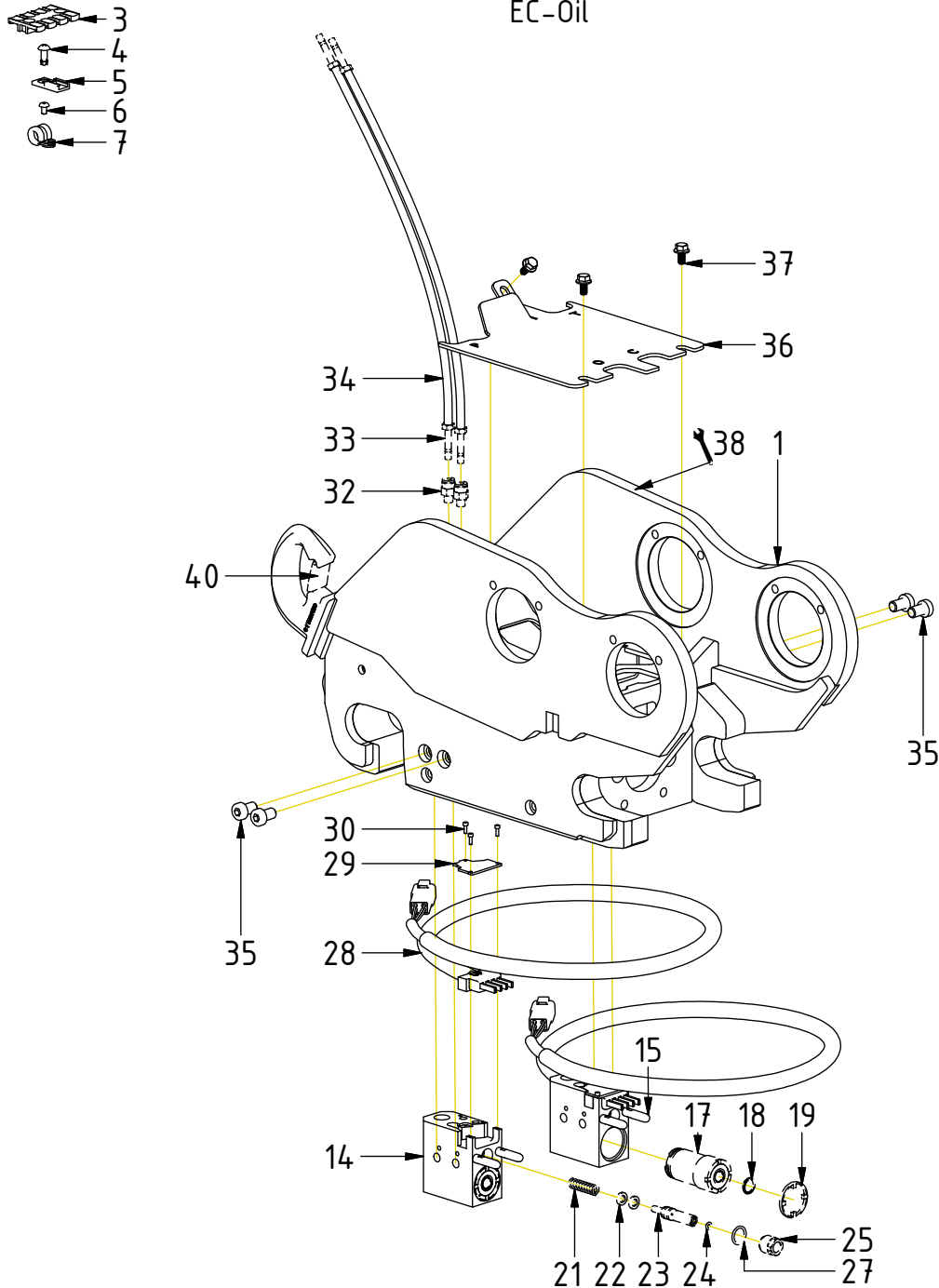


EC-oil:

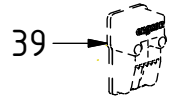
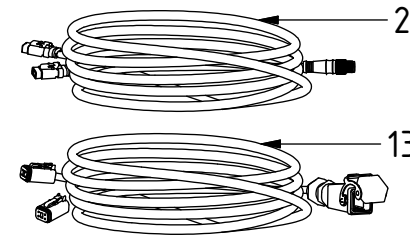


EC-Oil:





POS	DESCRIPTION	PART	QTY	COMMENTS
1	Quick hitch is selected via engcon			(Machine dependent)
2	Cable QS-QLM-Quick hitch 3,4m	8000863	1	Attach to QS sensors
3	Strain relief plate ZL60	8000703	1	
4	Blind rivet 4,0x12,3 DIN7337	6000294	4	
5	Holder Deutsch coupling	810662	2	
6	Screw K6S M5x8 10.9 FZB	611801	1	
7	Rubber steel clamp ø6	6000027	1	
13	Machine cable ECO40 W DC2	1057842	1	Attach to both 4P
14	Block ECO40 W H 1hy.1cl. Compl. V2	1077487	2	(POS.16-17, 19-20 incl.)
15	Block ECO40 W H 1hy. Compl. V2	1077488	2	(POS.16-17, 19 incl.)
16	Block ECO40 W Hitch V2	1077485	2	
17	Coupling ECO 3/8" female V3	1053029	2	Torque: 60Nm. (POS.18 incl.)
18	Flat sealing for ECO W 3/8" V3	1052976	2	
19	Dirt protection ECO 3/8"	1028274	2	
20	Lubrication kit ECO W V2	1050794	1	(POS.21-27 incl.)
21	Spring 6058	1024113	1	
22	Piston sealing KPOR130 12x7,1x2,2	1024112	2	(O-ring included with seal ring)
23	Grease piston	1024111	1	
24	O-ring 3,69x1,78	1024115	1	
25	Nut grease piston	1047688	1	Wrap with thread sealing tape
26	O-ring 9,25x1,78	712429	1	Located inside POS.27
27	O-ring 14x2	7000767	1	
28	Power Plug ECO40 W DT	1057840	2	Cable gland torque: 6Nm
29	Coverplate block ECO40 W Hitch	1057688	2	
30	Screw MC6S M2,5x8 8,8 FZB	6000325	6	
31	Hose kit - lubricant ECO40 W	7001531	1	(POS.32-34 incl.)
32	Straight Push-in M8x1	790185	2	
33	Pipe stub straight Push-in	790175	2	
34	Hose 2m - lubricant ECO	7001530	1	
35	Screw MLC6S M10x16 10.9 FZB	6000326	4	
36	Cover QS40	1058260	1	
37	Screw M6SF 8x12H Riffled	6000120	3	
38	Punch serial number into hitch			
39	Transport Protection ECO-Block	1062401	2	Part of make up
40	Safety latch	404249	1	Lifting hook spare part

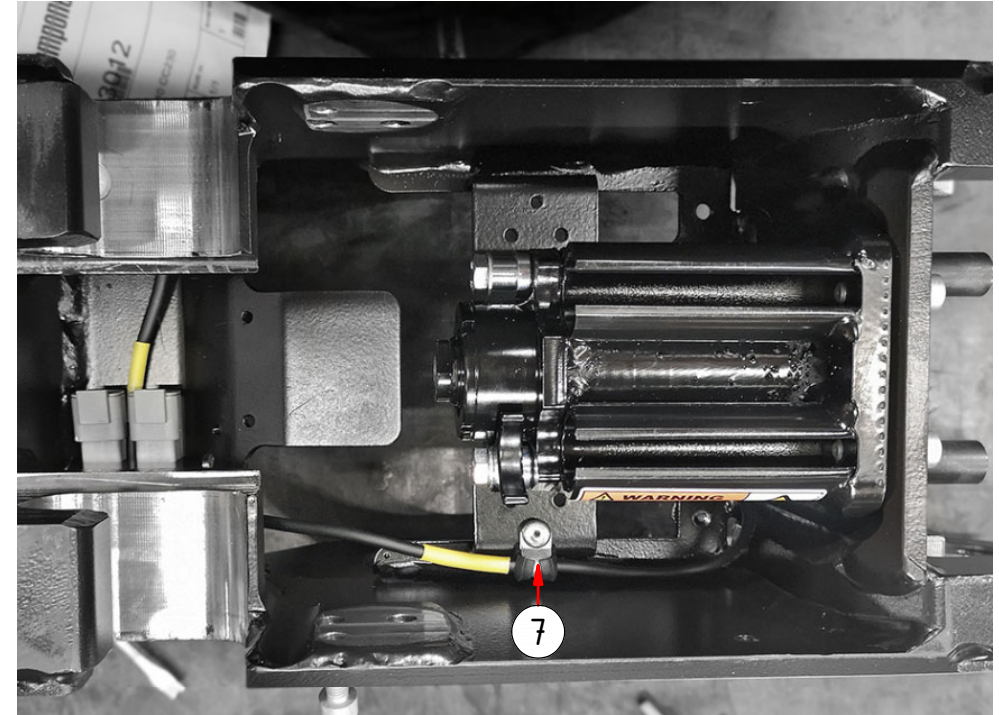
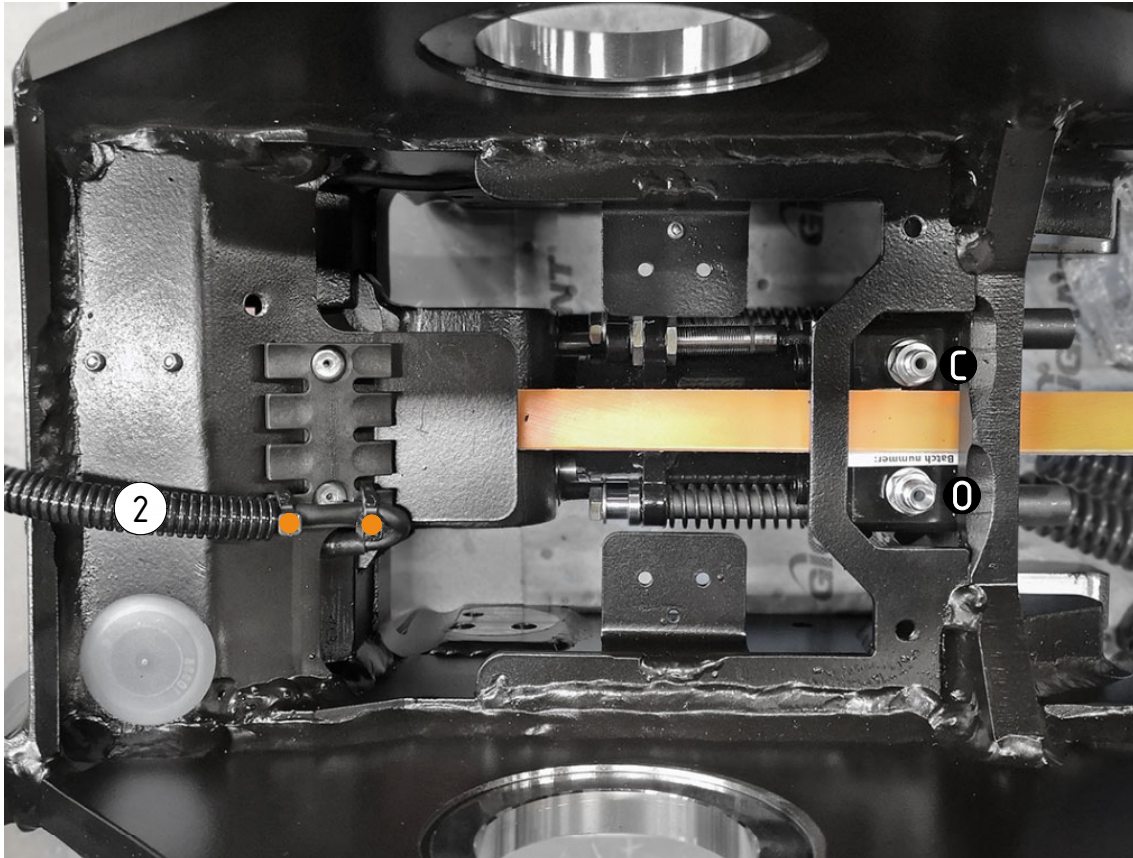


POS in order of assembly

Without EC-Oil

POS	DESCRIPTION	PART	QTY	COMMENTS
2	Cable QS-QLM-Quick hitch 3,4m	8000863	1	Attach to QS sensors
7	Rubber steel clamp ø6	6000027	1	
● Use cable ties				

POS in order of assembly



EC-Oil

POS	DESCRIPTION	PART	QTY	COMMENTS
2	Cable QS-QLM-Quick hitch 3,4m	8000863	1	Attach to QS sensors
7	Rubber steel clamp $\varnothing 6$	6000027	1	
13	Machine cable ECO40 W DC2	1057842	1	Attach to both 4P
28	Power Plug ECO40 W DT	1057840	2	Cable gland torque: 6Nm
31	Hose kit - lubricant ECO40 W	7001531	1	(POS.32-34 incl.)
●	Use cable ties			

POS in order of assembly

