

COVERSHEET

Planned document changes:

Briefly:

Add screw 611801 for POS.5

Document changes:

Date:

Change:

Rev.

after change:

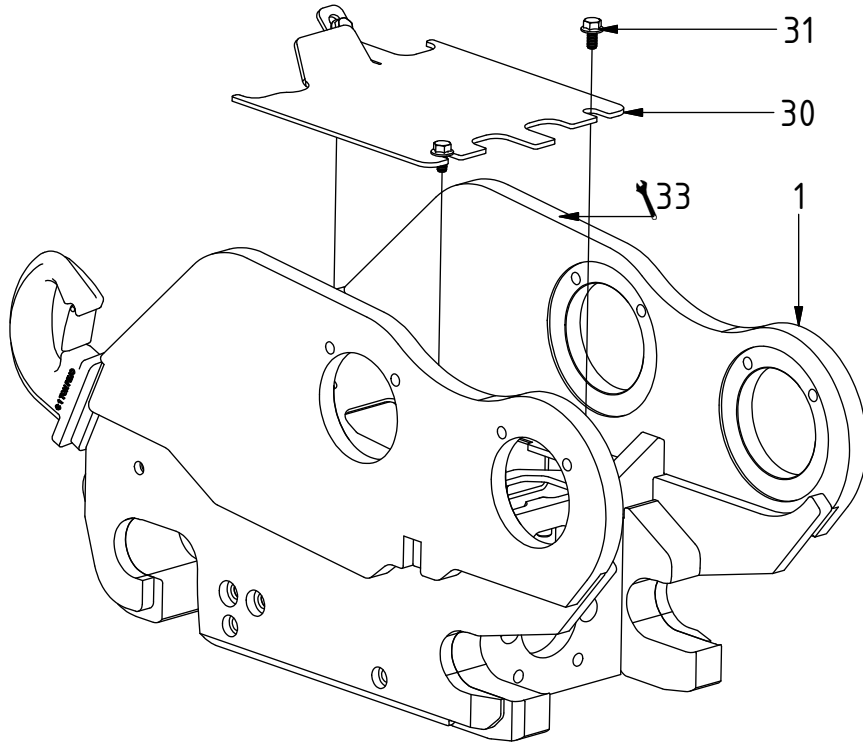
2021-09-07

New instruction.

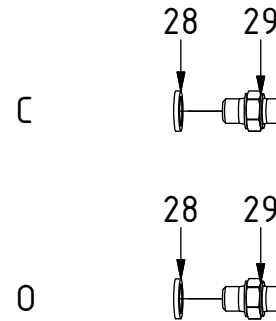
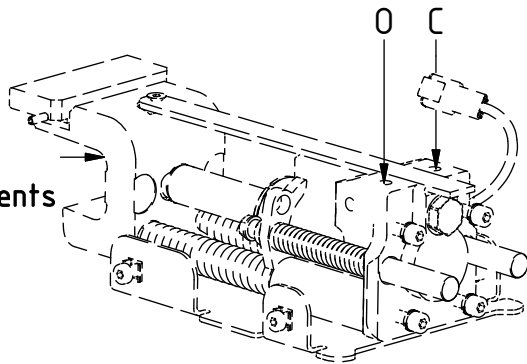
-

Quick hitch - QS40

POS	DESCRIPTION	PART	QTY	COMMENTS
1	Quick hitch is selected via engcon			(Machine dependent)
23	Washer GBR06 3/8	710703	2	
24	Adapter 136-06-06 (3/8")	710106	2	
25	Adapter 489-06-06 45° (3/8")	710164	2	
28	Washer GBR02 1/8	710701	2	
29	Adapter 136-02-02 (1/8")	710102	2	
30	Cover QS40	1058260	1	
31	Screw M6SF 8x12H Riffled	6000120	3	
33	Punch serial number into hitch			

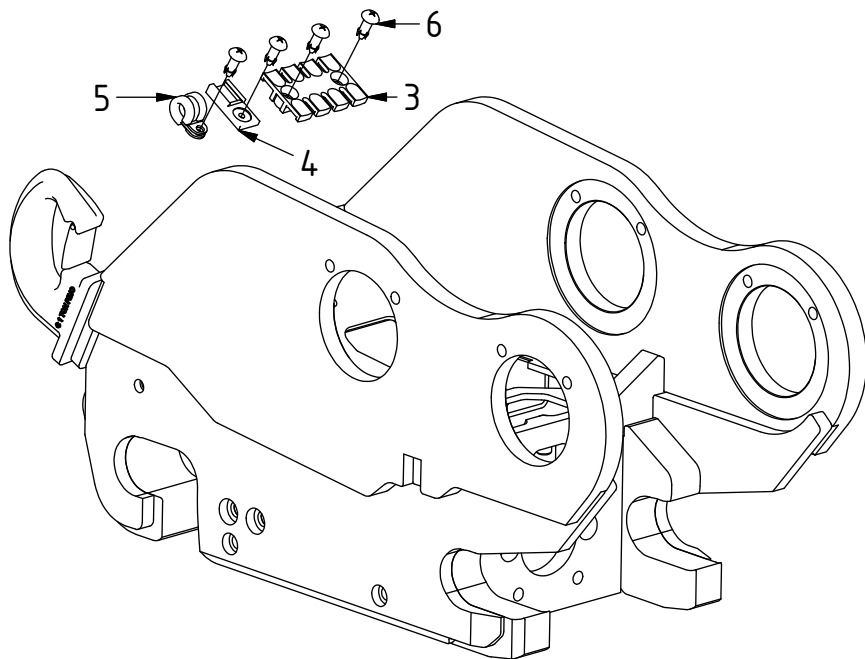


See instruction,
Standard components



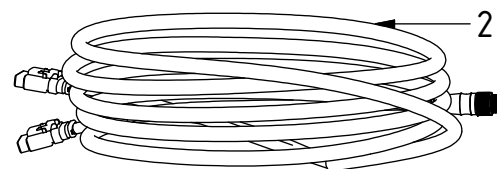
Quick hitch - QS40

Without EC-Oil

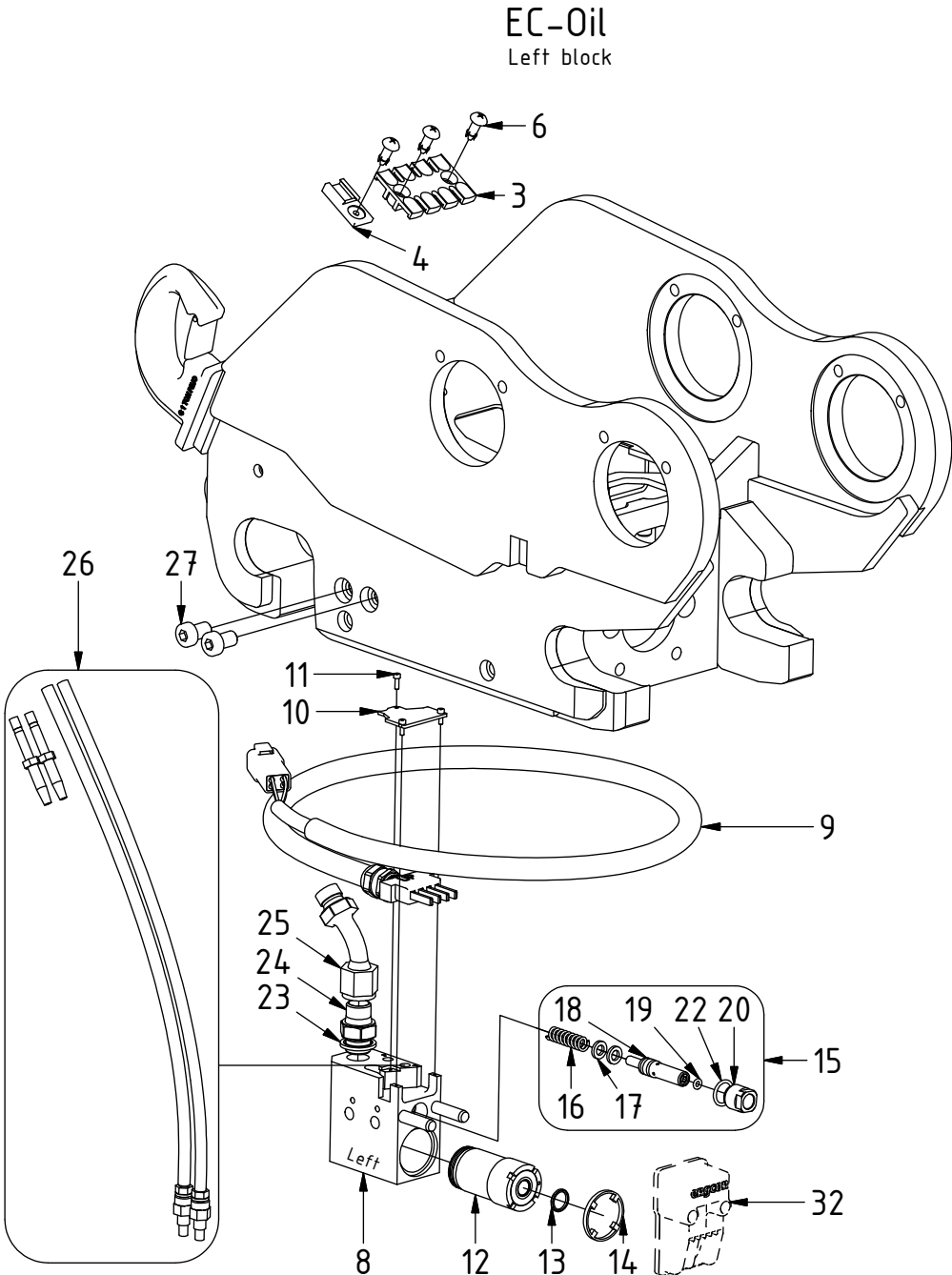


POS	DESCRIPTION	PART	QTY	COMMENTS
1	Quick hitch is selected via engcon			(Machine dependent)
2	Cable QS-QLM-Quick hitch 3,4m	8000863	1	Attach to QS sensors
3	Strain relief plate ZL60	8000703	1	
4	Holder Deutsch coupling	810662	2	
5	Rubber steel clamp $\varnothing 6$	6000027	1	
6	Blind rivet 4,0x12,3 DIN7337	6000294	5	

Cables QS:

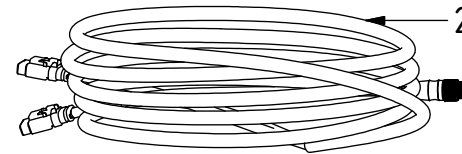


Quick hitch - QS40

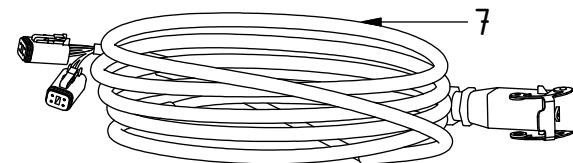


POS	DESCRIPTION	PART	QTY	COMMENTS
2	Cable QS-QLM-Quick hitch 3,4m	8000863	1	Attach to QS sensors
3	Strain relief plate ZL60	8000703	1	
4	Holder Deutsch coupling	810662	2	
6	Blind rivet 4,0x12,3 DIN7337	6000294	5	
7	Cable ECO40 W Machine DC2	1057842	1	Attach to POS.9
8	Block ECO40 W-Quick hitch	1061831	2	
9	Power Plug ECO40 W DT	1057840	2	
10	Coverplate block ECO40 W	1057688	2	
11	MC6S M2,5x8 8,8 FZB	6000325	6	
12	Coupling ECO 3/8" female V3	1053029	2	Torque: 60Nm. (POS.13 included)
13	Flat sealing for ECO W 3/8" V3	1052976	2	
14	Dirt protection ECO 3/8"	1028274	2	
15	Lubrication kit ECO W V2	1050794	1	(POS.16-22 included)
16	Spring 6058	1024113	1	
17	Piston sealing KPOR130 12x7,1x2,2	1024112	2	(O-ring included with seal ring)
18	Grease piston	1024111	1	
19	O-ring 3,69x1,78	1024115	1	
20	Nut grease piston	1047688	1	Wrap with thread sealing tape
21	O-ring 9,25x1,78	712429	1	Located inside POS.20
22	O-ring 14x2	7000767	1	
23	Washer GBR06 3/8	710703	2	
24	Adapter 136-06-06 (3/8")	710106	2	
25	Adapter 489-06-06 45° (3/8")	710164	2	
26	Hose kit - lubricant ECO40 W	7001531	1	
27	MLC6S M10x16 10.9 FZB	6000326	4	
32	Cover ECO40 W magnet Cast	1062401	2	Part of make up

Cable QS:

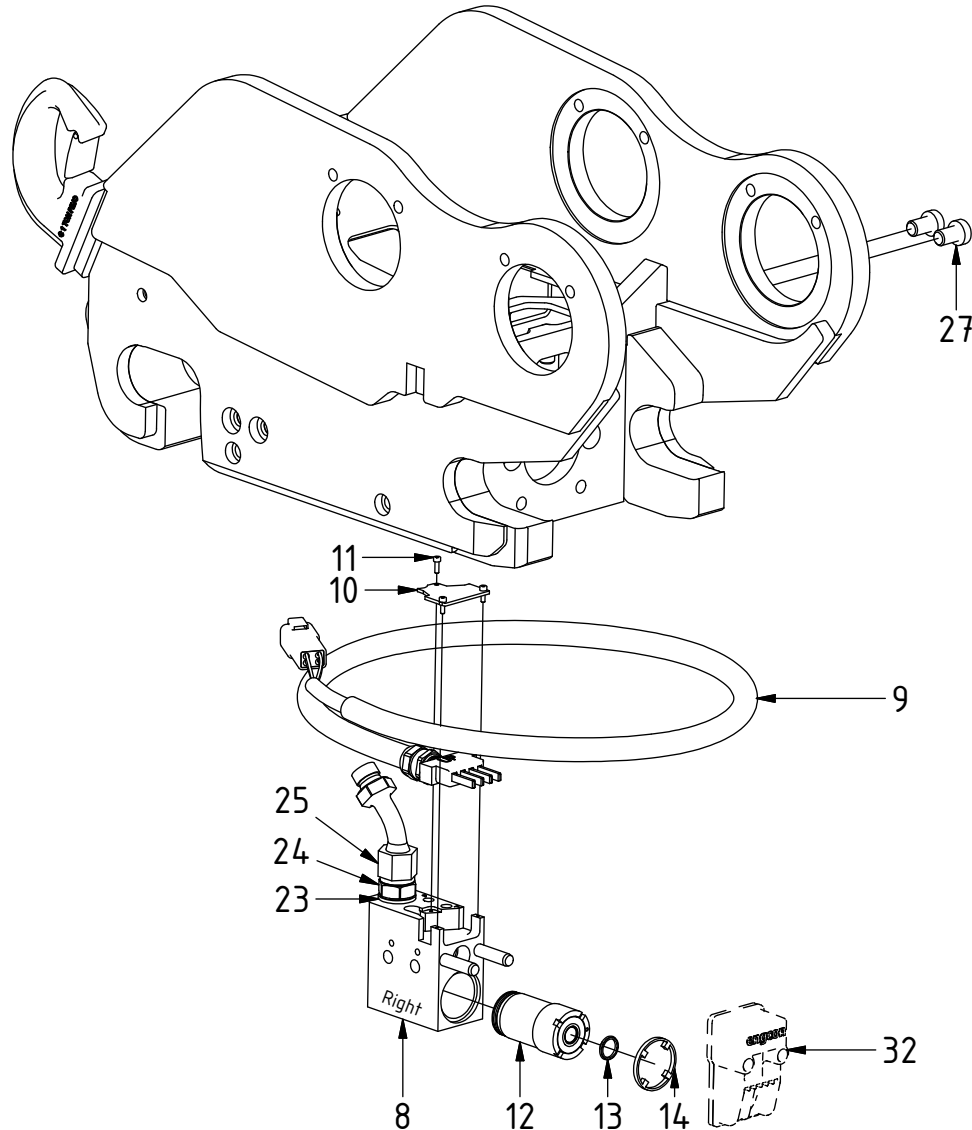


Cable machine:



Quick hitch - QS40

EC-Oil
Right block



POS	DESCRIPTION	PART	QTY	COMMENTS
8	Block ECO40 W-Quick hitch	1061831	2	
9	Power Plug ECO40 W DT	1057840	2	
10	Coverplate block ECO40 W	1057688	2	
11	MC6S M2,5x8 8,8 FZB	6000325	6	
12	Coupling ECO 3/8" female V3	1053029	2	Torque: 60Nm. (POS.13 included)
13	Flat sealing for ECO W 3/8" V3	1052976	2	
14	Dirt protection ECO 3/8"	1028274	2	
23	Washer GBR06 3/8	710703	2	
24	Adapter 136-06-06 (3/8")	710106	2	
25	Adapter 489-06-06 45° (3/8")	710164	2	
27	MLC6S M10x16 10.9 FZB	6000326	4	
32	Cover ECO40 W magnet Cast	1062401	2	Part of make up

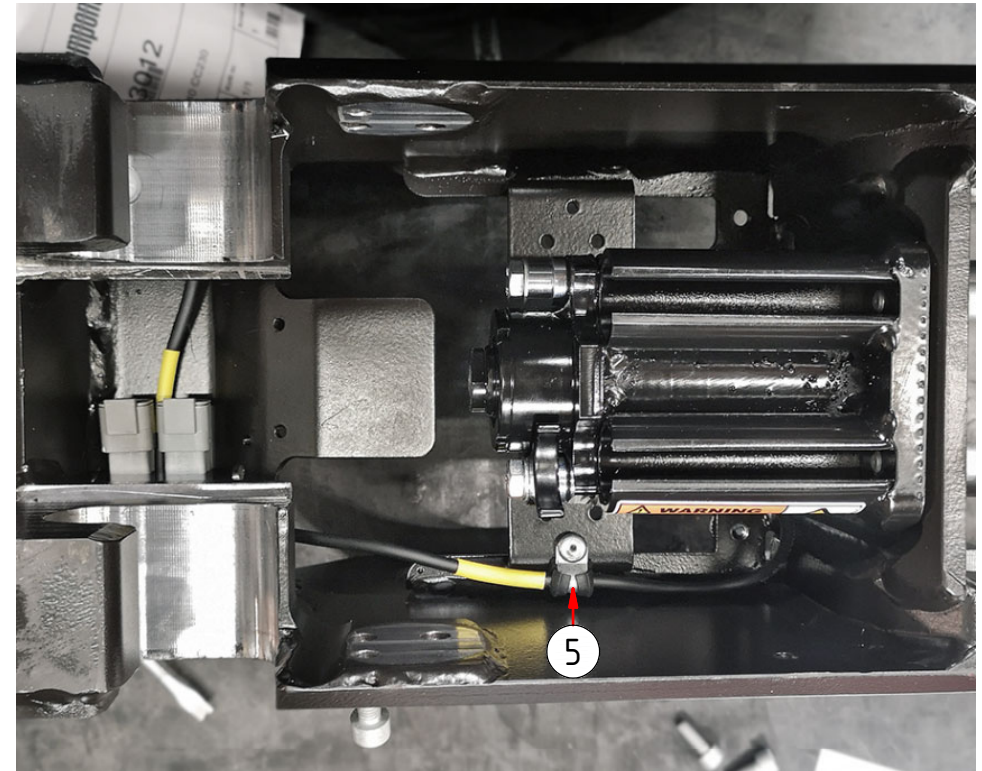
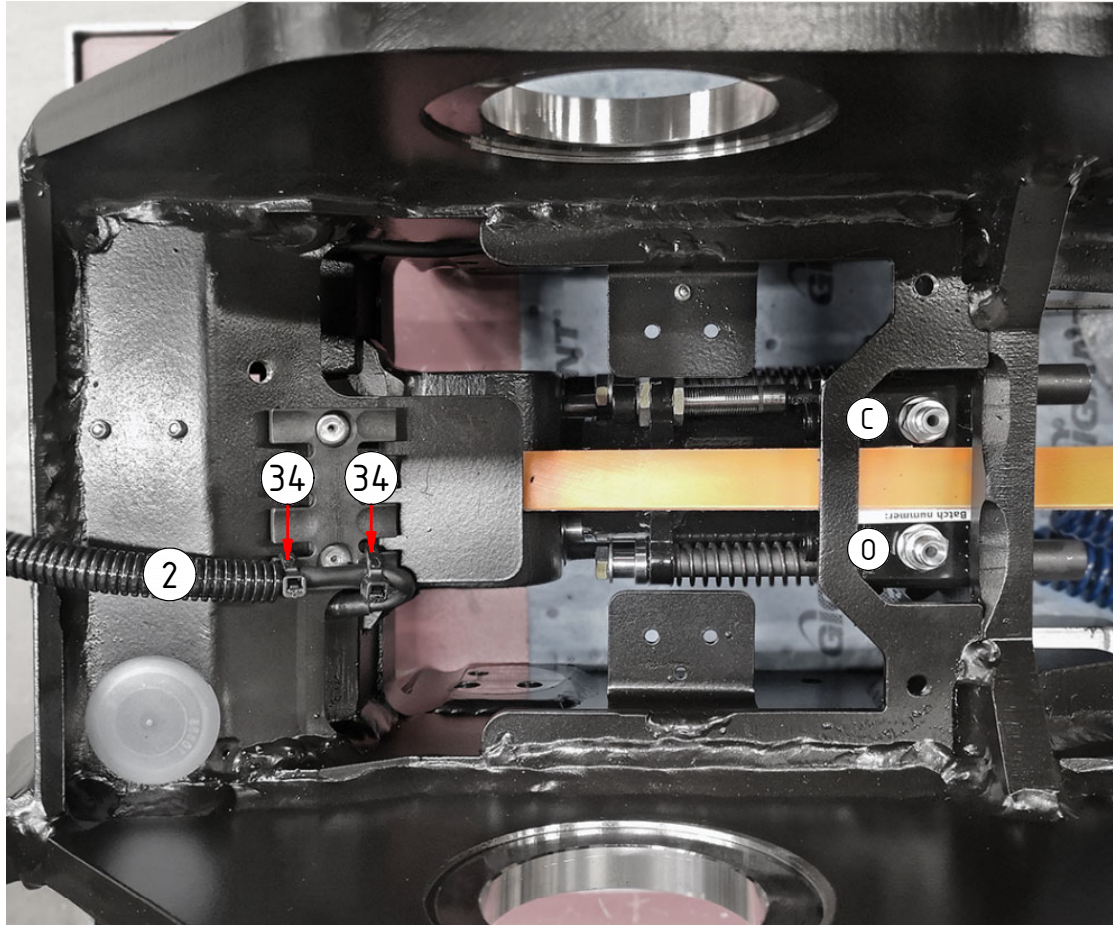
POS in order of assembly

Quick hitch - QS40

Without EC-Oil

POS	DESCRIPTION	PART	QTY	COMMENTS
2	Cable QS-QLM-Quick hitch 3,4m	8000863	1	Attach to QS sensors
5	Rubber steel clamp ø6	6000027	1	
34	Cable tie 4,8x360	1021586	1	
35	Cable tie 7,8x360	1021587	1	

POS in order of assembly



Quick hitch - QS40

EC-Oil

POS	DESCRIPTION	PART	QTY	COMMENTS
7	Cable ECO40 W Machine DC2	1057842	1	Attach to POS.9
9	Power Plug ECO40 W DT	1057840	2	
26	Hose kit - lubricant ECO40 W	7001531	1	
34	Cable tie 4,8x360	1021586	1	
35	Cable tie 7,8x360	1021587	1	

POS in order of assembly

Photo needed: EC-Oil

Photo needed: EC-Oil