

## COVERSHEET

## Planned document changes:

**Briefly:**

No planned changes.

## Document changes:

Date:	Change:	Rev. after change:
2024-08-30	Starlock added.	A
2021-08-17	New document.	-

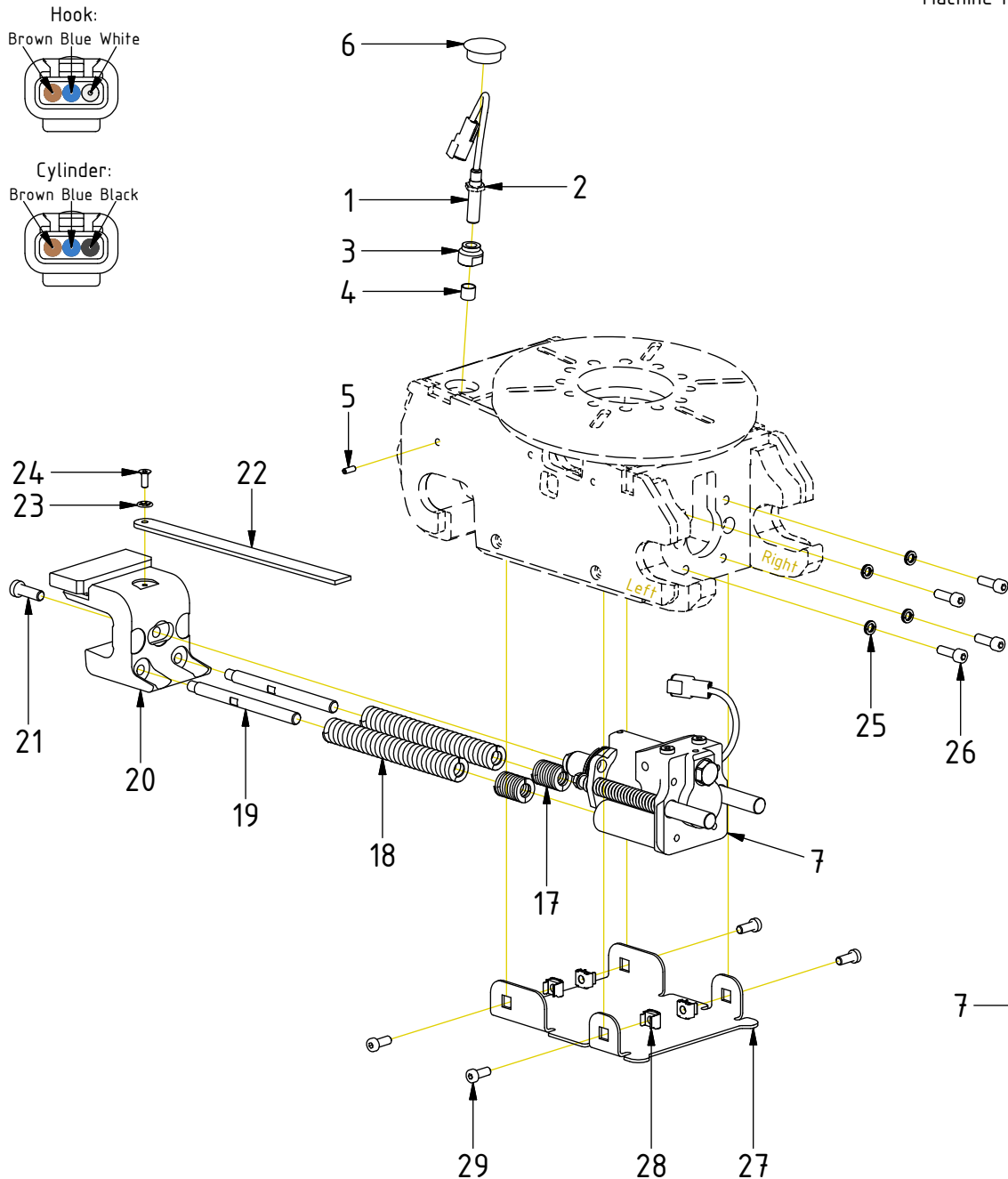
*Readers note:*

Indicates instruction.

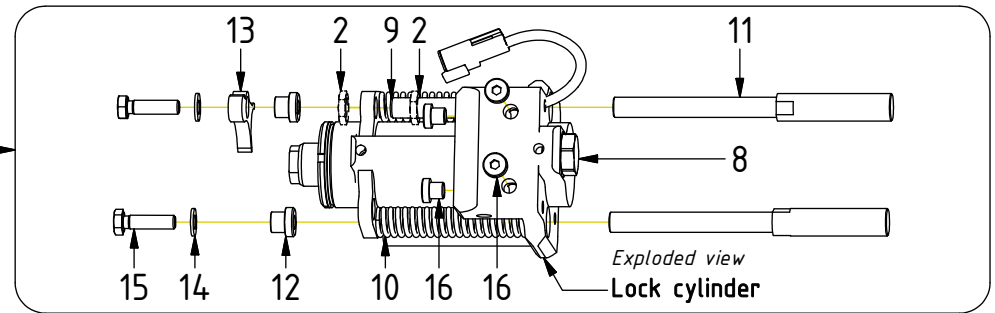


Represents Hose.

Dashed lines for overview, mounts  
on other pages/assemblies.

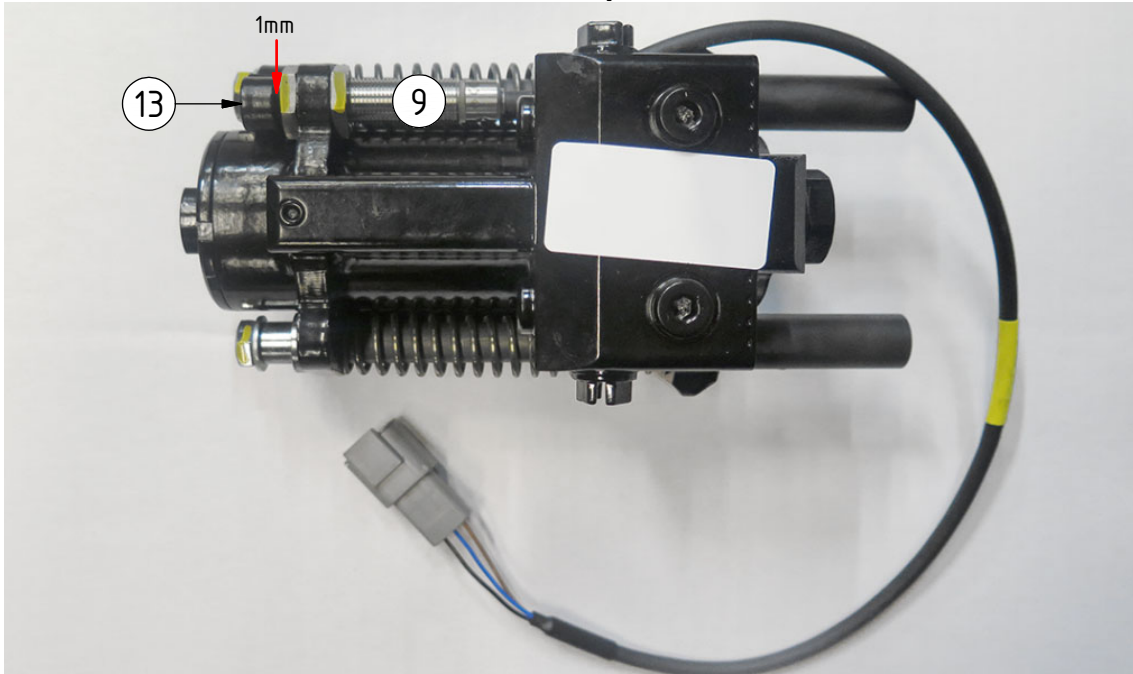


Machine hitch	POS	DESCRIPTION	PART	QTY	COMMENTS
	1	Inductive sensor QSC (hook)	8001070	1	Mount just below surface edge
	2	Hex nut			(Incl. with sensors)
	3	Position nut, inductive sensor	1056868	1	
	4	Protection lid, inductive sensor	8000056	1	
	5	Set Screw M8x16	610808	1	
	6	Cover plug	8000068	1	
	7	Lock cylinder QS40/S40S Complete	1057115	1	(POS.8-16 incl.)
	8	Lock cylinder QS40/S40S	1056690	1	
	9	Inductive sensor QSC (cylinder)	8001071	1	Mount 1mm from sensor plate
	10	Spring 16x104	1024020	2	
	11	Ejector	1055938	2	
	12	Spacer	1056860	2	
	13	Sensor plate	1056857	1	Assemble with slight play
	14	Flat Washer	611005	2	
	15	Screw M6S M8x30 8,8 FZB	611538	2	Loxéal 83-52
	16	Plug Bsp 1/8"	711503	4	QTY: 2 part of Lock cylinder
	17	Spring 25x32	1025483	2	
	18	Spring 25/12,5-178	640112	2	
	19	Steering	1056869	2	Loxéal 83-52
	20	Hook QS40/S40S	1056815	1	
	21	Screw MLC6S M10x30 10.9	610712	1	Loxéal 83-52
	22	Indicator pin QS40/S40S	1056967	1	
	23	Starlock 6mm	6000415	1	
	24	Screw MF6S M6x16 10.9 untreated	610604	1	Loxéal 83-52
	25	Washer NL 8mm	611040	4	
	26	Screw MC6S M8x25 12.9 ZFSHL	6000143	4	
	27	Cover plate QS40/S40S	1056928	1	No cover plate for EC-Oil
	28	Cage Nut M8 C	610959	4	
	29	Screw MLC6S M8x20 8,8 FZB	610711	4	Loxéal 83-52



POS in order of assembly

Sensor Cylinder



Machine hitch

POS	DESCRIPTION	PART	QTY	COMMENTS
1	Inductive sensor QSC (hook)	8001070	1	Mount just below surface edge
9	Inductive sensor QSC (cylinder)	8001071	1	Mount 1mm from sensor plate
13	Sensor plate	1056857	1	Assemble with slight play

POS in order of assembly

Sensor Hook

