

## COVERSHEET

### Planned document changes:

**Briefly:**

POS.24: add Loxeal 83-52.

POS.20 glue instructions:

Loxeal 83-52 for black steering,

Loxeal 53-11 for stainless steering.

### Document changes:

**Date:**

**Change:**

**Rev.**

**after change:**

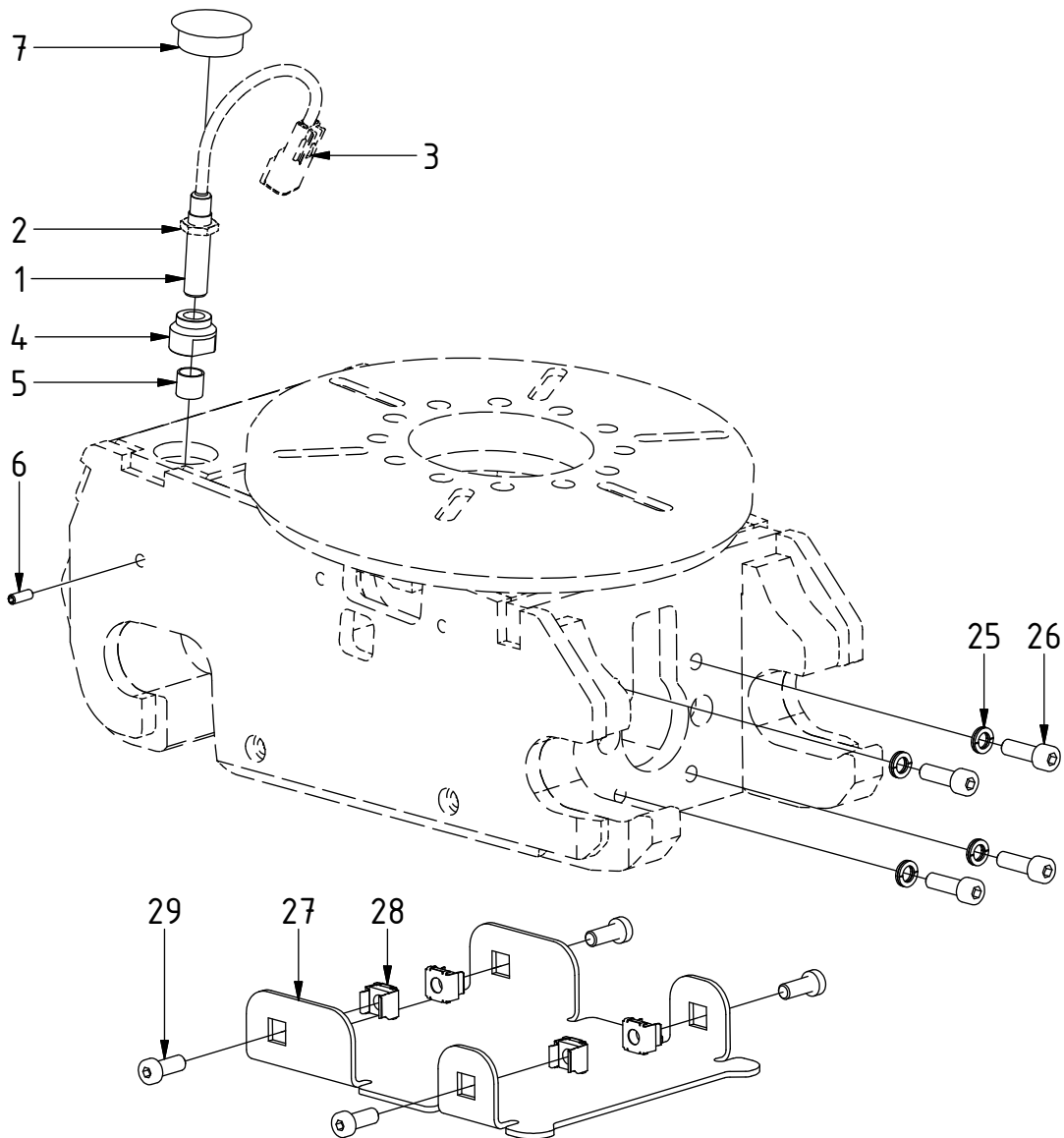
2021-08-17

New instruction.

-

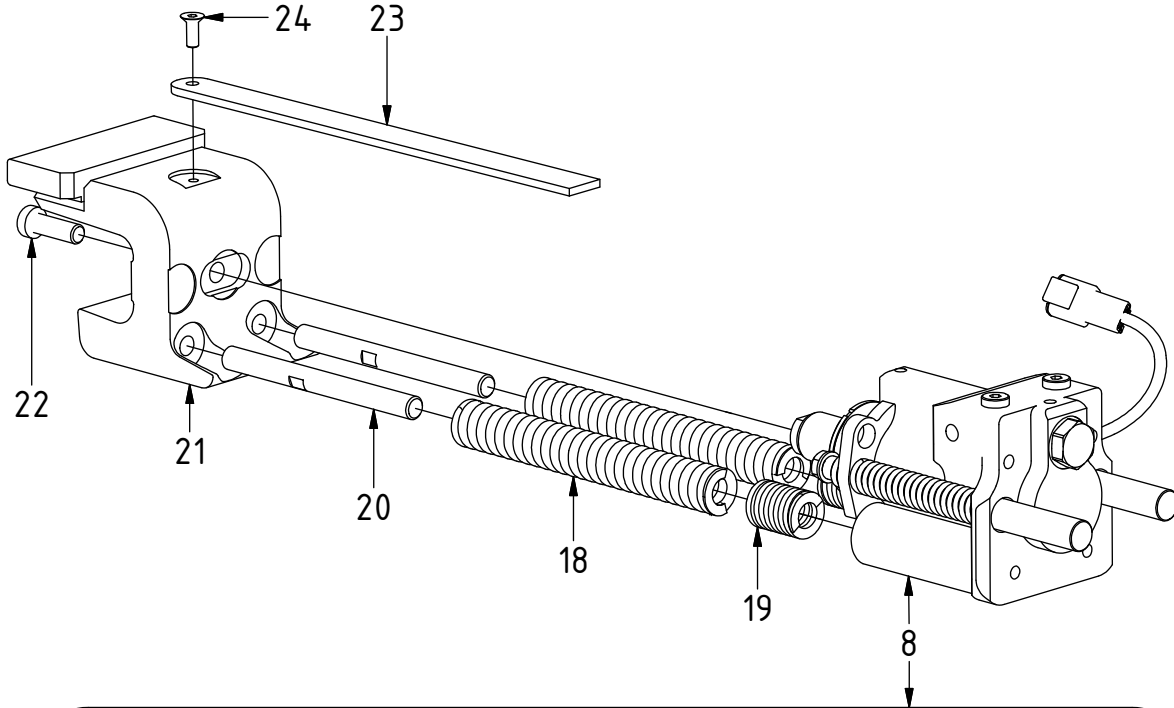
# QS40 - Std components

| POS | DESCRIPTION                      | PART    | QTY | COMMENTS   |
|-----|----------------------------------|---------|-----|--|
| 1   | Inductive sensor QSC (hook)      | 8001070 | 1   | Mount just below surface edge (POS.2-3 included) |
| 2   | Hex nut                          |         |     | (Included with sensor)                           |
| 3   | Connector Deutsch (DTM04-3P)     | 8000064 | 2   |  |
| 4   | Position nut, inductive sensor   | 1056868 | 1   |  |
| 5   | Protection lid, inductive sensor | 8000056 | 1   |  |
| 6   | Set Screw S6SS M8x16             | 610808  | 1   |  |
| 7   | Cover plug                       | 8000068 | 1   |  |
| 25  | Washer NL 8mm                    | 611040  | 4   |  |
| 26  | MC6S M8x25 12.9 ZFSL             | 6000143 | 4   |  |
| 27  | Cover plate QS40/S40S            | 1056928 | 1   | No cover plate for EC-Oil                        |
| 28  | Cage Nut M8 C                    | 610959  | 4   |  |
| 29  | MLC6S 8x20H                      | 610711  | 4   | Loctite 2700                                     |

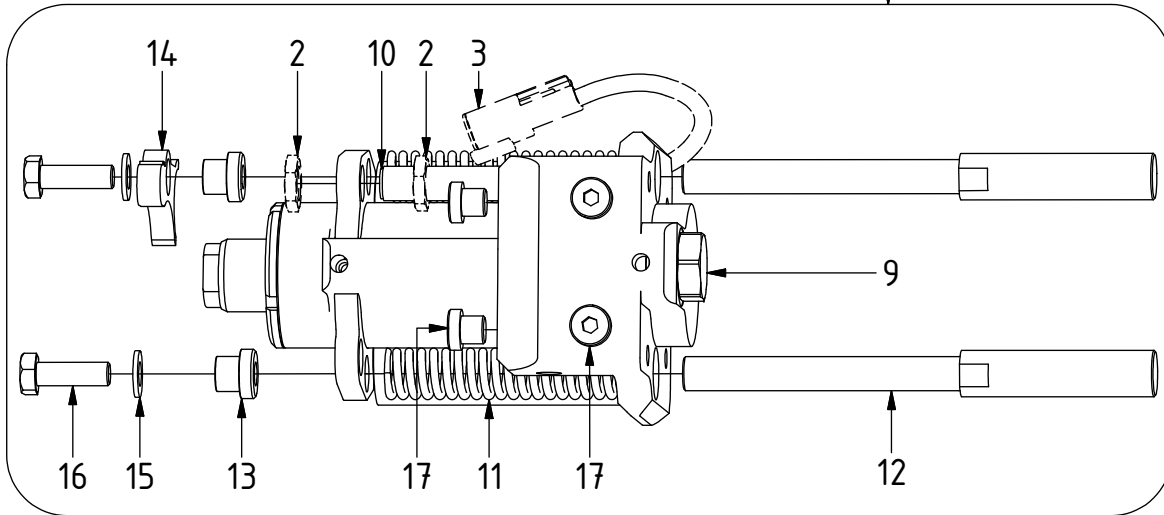


POS in order of assembly

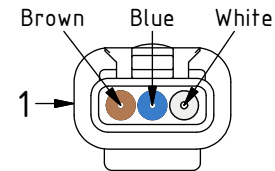
# QS40 - Std components



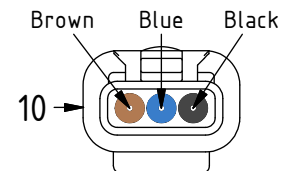
| POS | DESCRIPTION                      | PART    | QTY | COMMENTS   |
|-----|----------------------------------|---------|-----|--|
| 1   | Inductive sensor QSC (hook)      | 8001070 | 1   | Mount just below surface edge (POS.2-3 included) |
| 2   | Hex nut                          |         |     | (Included with sensor)                           |
| 3   | Connector Deutsch (DTM04-3P)     | 8000064 | 2   |  |
| 8   | Lock cylinder QS40/S40S Complete | 1057115 | 1   | (POS.9-17 included)                              |
| 9   | Lock cylinder QS40/S40S          | 1056690 | 1   | See "Lock cylinders"                             |
| 10  | Inductive sensor QSC (cylinder)  | 8001071 | 1   | Mount 1mm from sensor plate (POS.2-3 included)   |
| 11  | Spring 16x104                    | 1024020 | 2   |  |
| 12  | Ejector                          | 1055938 | 2   |  |
| 13  | Spacer                           | 1056860 | 2   |  |
| 14  | Sensor plate                     | 1056857 | 1   | Assemble with slight play                        |
| 15  | Flat Washer                      | 611005  | 2   |  |
| 16  | Screw M6S 8x25 8.8 FZB           | 610124  | 2   | Loctite 2700                                     |
| 17  | Plug Bsp 1/8"                    | 711503  | 4   | QTY: 2 part of Lock cylinder                     |
| 18  | Spring 25/12,5-178               | 640112  | 2   |  |
| 19  | Spring 25x32                     | 1025483 | 2   |  |
| 20  | Steering                         | 1056869 | 2   | Loctite 6300                                     |
| 21  | Hook QS40/S40S                   | 1056815 | 1   |  |
| 22  | MLC6S 10x30H                     | 610712  | 1   | Loctite 2700                                     |
| 23  | Indicator pin QS40/S40S          | 1056967 | 1   |  |
| 24  | MF6S M6x16 10.9 untreatad        | 610604  | 1   |  |



**Hook:**



**Cylinder:**



# QS40 - Std components

POS in order of assembly

## Sensor Cylinder:

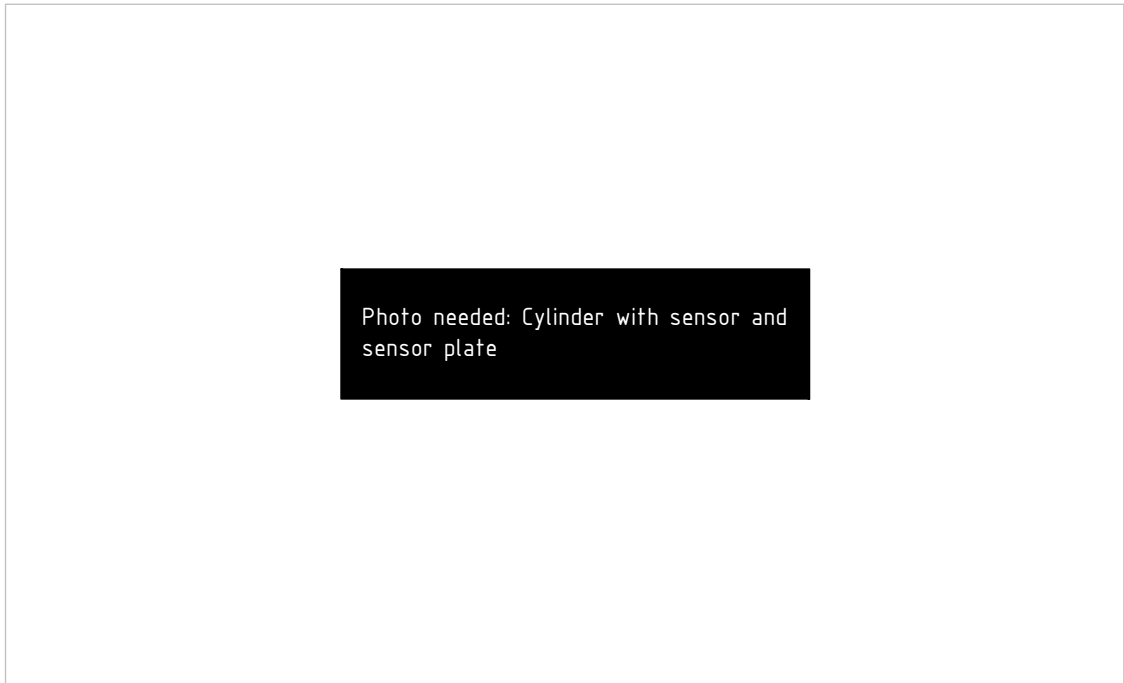
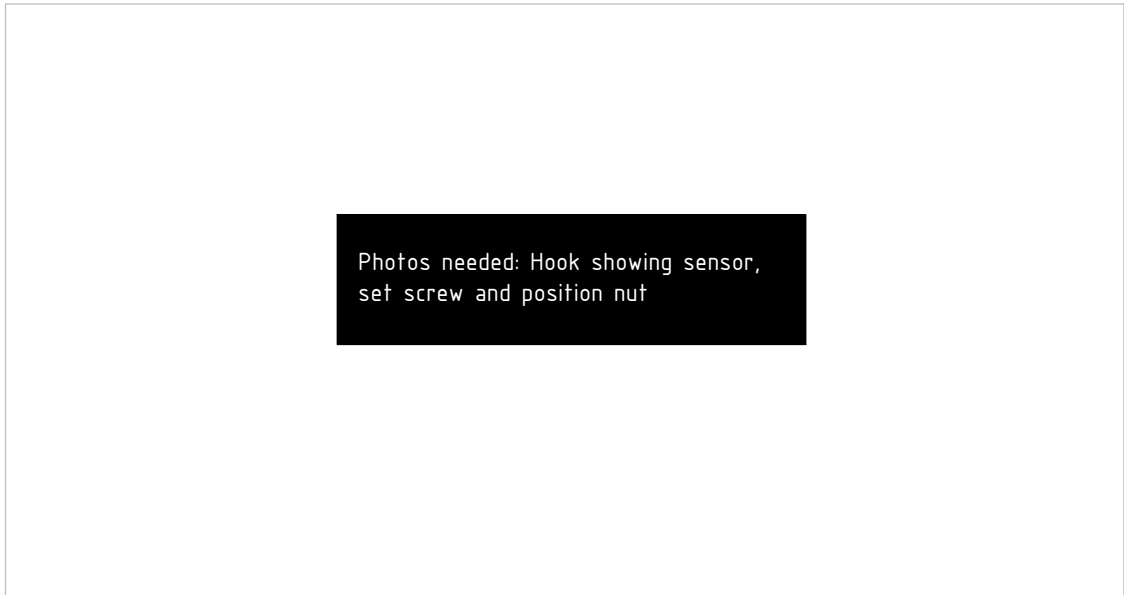


Photo needed: Cylinder with sensor and sensor plate

## Sensor Hook:



Photos needed: Hook showing sensor, set screw and position nut

| POS | DESCRIPTION                     | PART    | QTY | COMMENTS   |
|-----|---------------------------------|---------|-----|--|
| 1   | Inductive sensor QSC (hook)     | 8001070 | 1   | Mount just below surface edge (POS.2-3 included) |
| 2   | Hex nut                         |         |     | (Included with sensor)                           |
| 3   | Connector Deutsch (DTM04-3P)    | 8000064 | 2   |  |
| 4   | Position nut, inductive sensor  | 1056868 | 1   |  |
| 6   | Set Screw S6SS M8x16            | 610808  | 1   |  |
| 10  | Inductive sensor QSC (cylinder) | 8001071 | 1   | Mount 1mm from sensor plate (POS.2-3 included)   |
| 14  | Sensor plate                    | 1056857 | 1   | Assemble with slight play                        |