

## COVERSHEET

### Planned document changes:

**Briefly:**

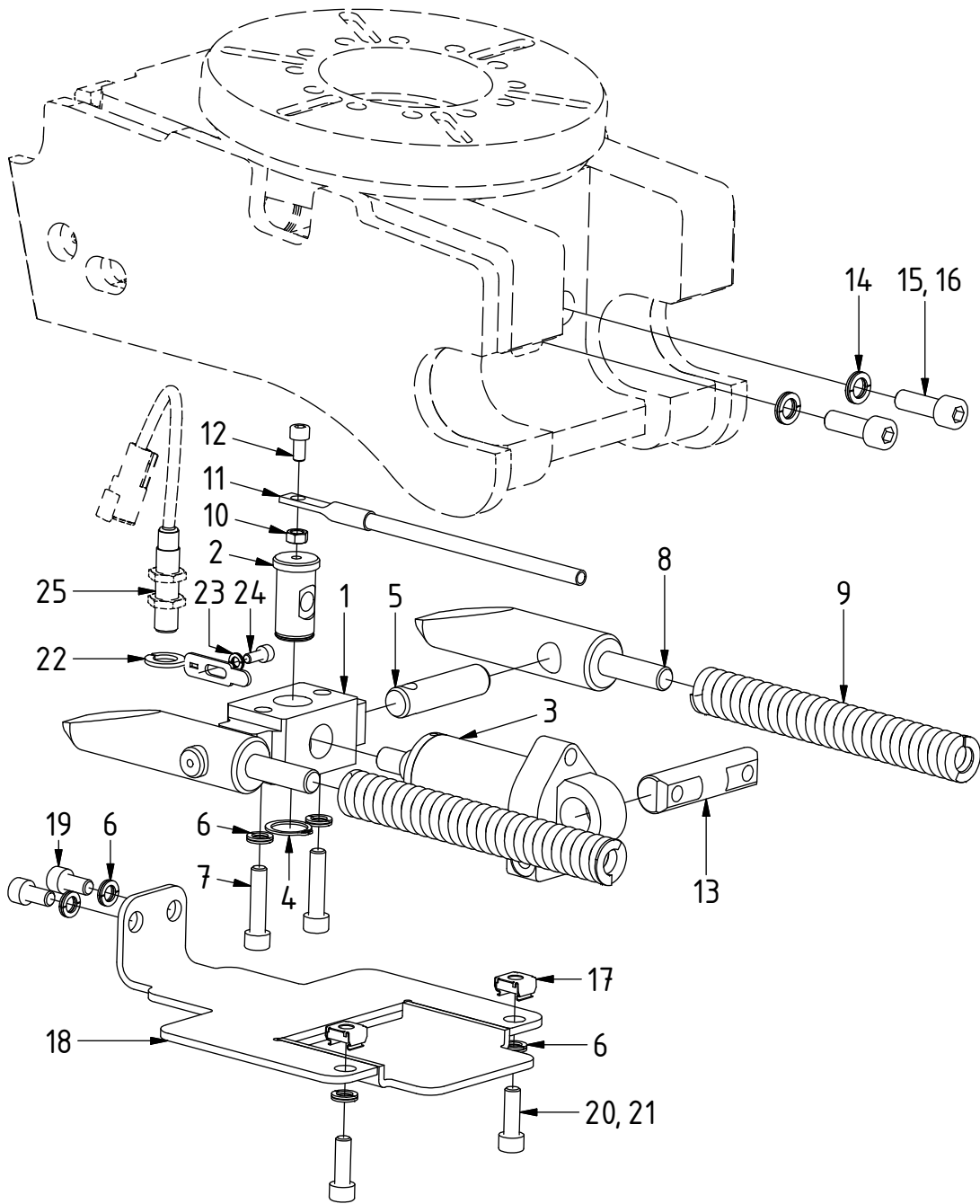
Add lubrication nipple 711403 to hitch.

### Document changes:

<u>Date:</u>	<u>Change:</u>	<u>Rev. after change:</u>
2021-12-02	Screw for pin updated.	B
2021-10-18	HS03ECS added to instruction (HS03EC with sensor).	A
2021-05-11	New instruction.	-

# HS03EC/HS03ECS - Std components

EC204, EC206



POS	DESCRIPTION	PART	QTY	COMMENTS
1	Lock yoke HS03EC	1027549	1	
2	Lock pin HS03EC	1027669	1	
3	Lock cylinder S40/HS03EC	1003530	1	Loctite to POS.2
4	Circlip SqA 20	640201	1	
5	Yoke pin HS03EC	1027555	2	
6	Washer NL 8mm	611040	6	
7	MC6S M8x35 12.9	610314	2	
8	Lock wedge HS03EC	1027547	2	
9	Spring 25/12,5-178	640112	2	
10	Hex. Nut M6	611594	1	
11	Indicator pin	1003973	1	
12	MC6S M6x12 12.9	610412	1	Loctite
13	Lock axel HS03	1027666	1	
14	Washer NL 10mm	611041	2	
15	MC6S M10x25 12.9 ZFSHL	6000195	2	For HS03ECS
16	MC6S M10x30 12.9	610452	2	
17	Cage Nut M8A	610955	2	
18	Cover plate	1029948	1	
19	MC6S M8x16 12.9	610431	2	
20	MC6S M8x20 12.9 ZFSHL	6000157	2	For HS03ECS
21	MC6S M8x25 12.9 ZFSHL	6000143	2	
22	Bracket indicator HS08ECS	1061282	1	For HS03ECS
23	Washer NL 5mm	611038	1	For HS03ECS
24	MC6S M5x12 12.9	6000077	1	For HS03ECS
25	Inductive sensor HS03ECS	8001316	1	For HS03ECS (Deutsch DTM04-3P & nut included)

POS in order of assembly

# HS03EC/HS03ECS - Std components

EC204, EC206

POS	DESCRIPTION	PART	QTY	COMMENTS
25	Inductive sensor HS03ECS	8001316	1	For HS03ECS (Deutsch DTM04-3P & nut included)

Sensor

POS in order of assembly

