

COVERSHEET

Planned document changes:

Briefly:

No planned changes.

Document changes:

Date:

Change:

Rev.

after change:

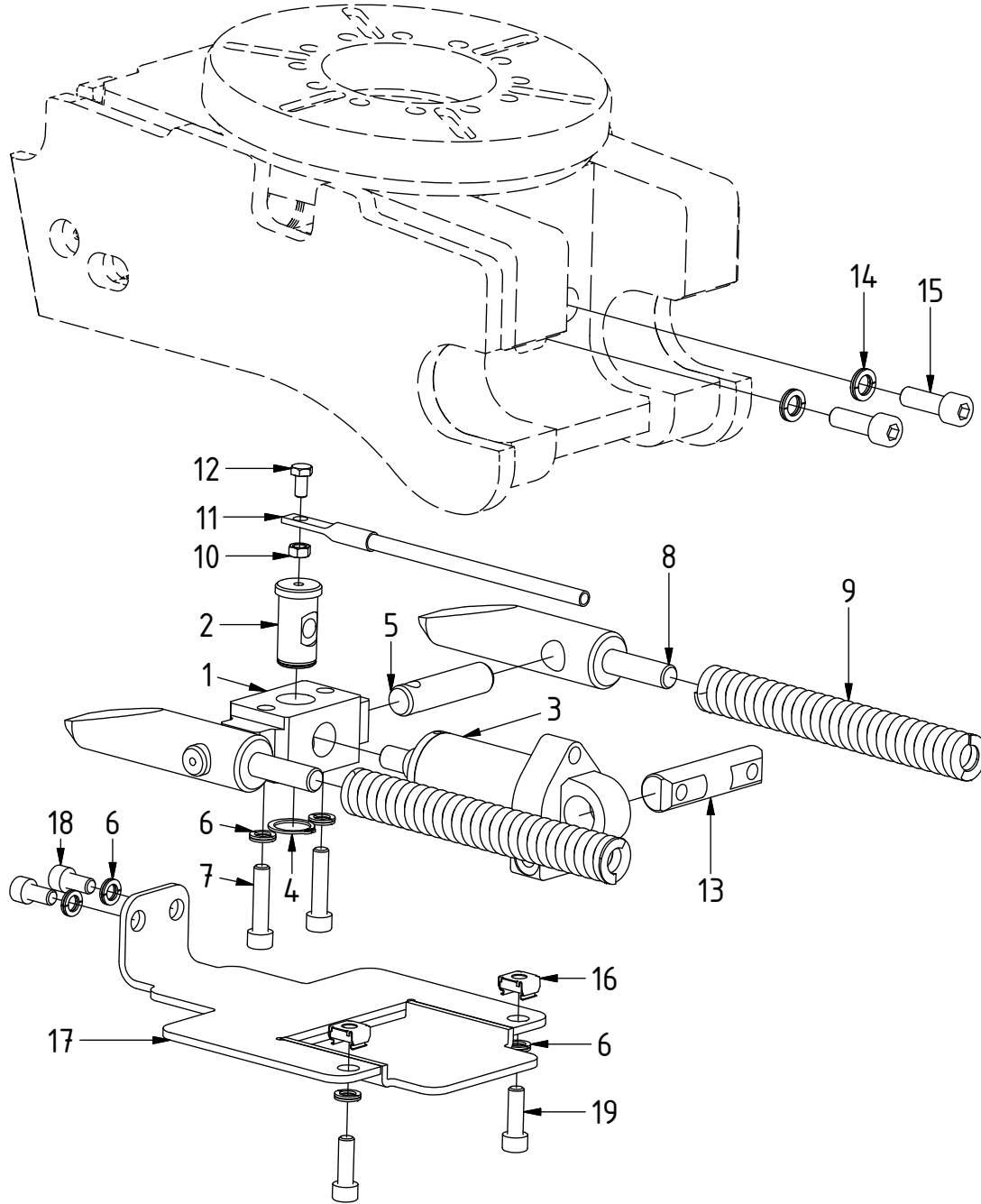
2021-05-11

New instruction.

-

HS03EC - Std components

EC204, EC206



POS	DESCRIPTION	PART	QTY	COMMENTS
1	Lock yoke HS03EC	1027549	1	
2	Lock pin HS03EC	1027669	1	
3	Lock cylinder S40/HS03EC	1003530	1	Loctite to POS.2
4	Circlip SqA 20	640201	1	
5	Yoke pin HS03EC	1027555	2	
6	Washer NL 8mm	611040	6	
7	MC6S M8x35 12.9	610314	2	
8	Lock wedge HS03EC	1027547	2	
9	Spring 25/12,5-178	640112	2	
10	Hex. Nut M6	611594	1	
11	Indicator pin	1003973	1	
12	Hex Head Screw 6x12	610108	1	
13	Lock axel HS03	1027666	1	
14	Washer NL 10mm	611041	2	
15	MC6S M10x30 12.9	610452	2	
16	Cage Nut M8A	610955	2	
17	Cover plate	1029948	1	
18	MC6S M8x16 12.9	610431	2	
19	MC6S M8x25 12.9 ZFSHL	6000143	2	

POS in order of assembly