

COVERSHEET

Planned document changes:

Briefly:

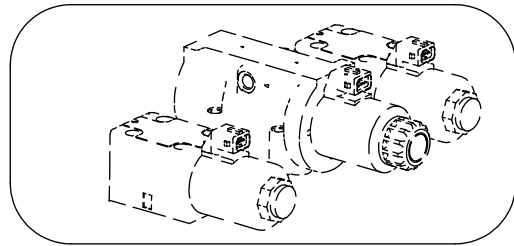
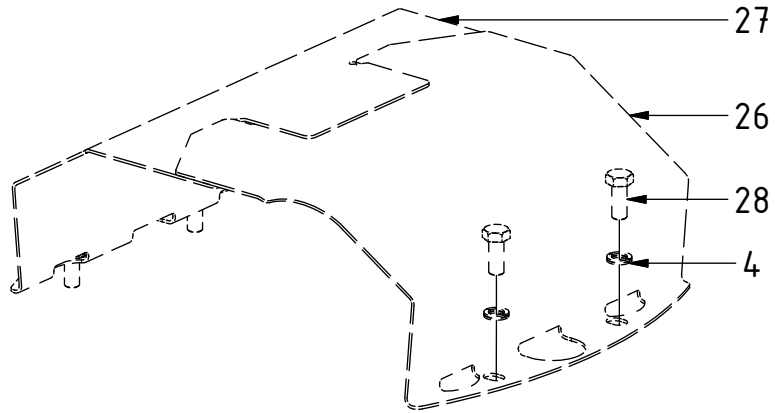
Add to POS.5: Torque: 79Nm.
Add to POS.7: Torque: 120Nm.

Document changes:

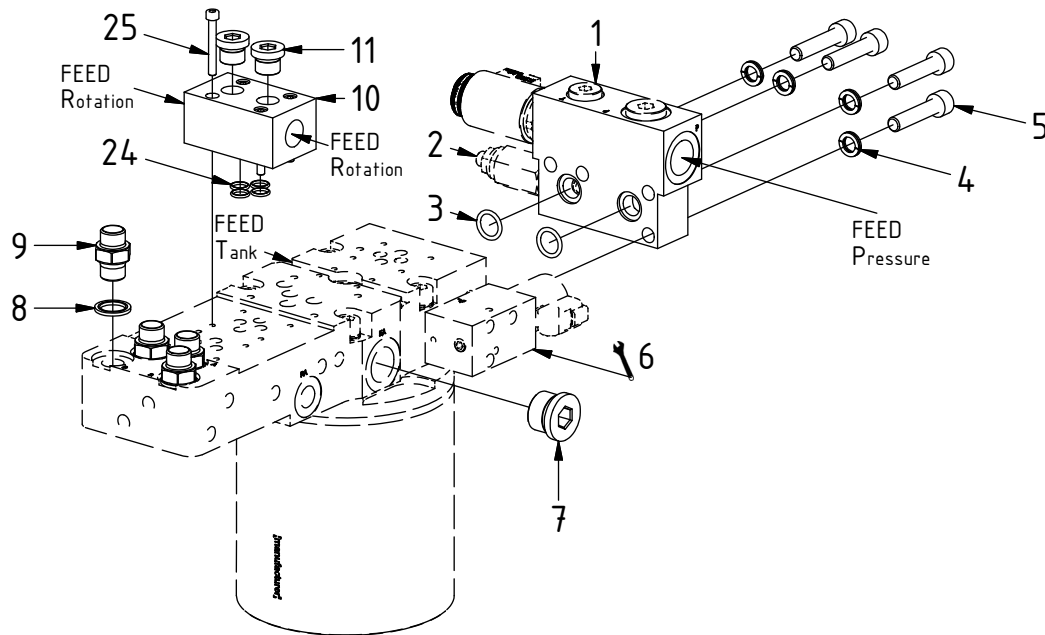
Date:	Change:	Rev. after change:
2021-04-15	New instruction.	-

EC226 QSM - ss9IQ Hoses

POS	DESCRIPTION	PART	QTY	COMMENTS
1	Connection block P reducer +Dump	1027707	1	(Dump & POS.2 included)
2	Dual relief valve 1CLLR100	730287	1	
3	O-ring 15,54x2,62	712423	2	
4	Washer NL 10mm	611041	8	QTY: 4 part of make up
5	MC6S M10x45 12.9	610589	4	
6	Mount before adapters and feed hoses			See "Std Valves & cables"
7	Plugg VSTIR34ED	711532	3	
8	Washer GBR06 3/8	710703	4	
9	Adapter 136-06-06 (3/8")	710106	4	
10	Connection block 1/2"	405670	1	
11	Plug 3/8"	711504	4	
24	O-ring Viton 90	710901	4	
25	MC6S M5x40 12.9	610405	4	
26	Protective cover EC226 ECHF left	1031186	1	
27	Protective cover EC226 ECHF right	1031185	1	
28	Screw 10x25	610142	4	



See instruction,
Std. Valves & cables



EC226R:



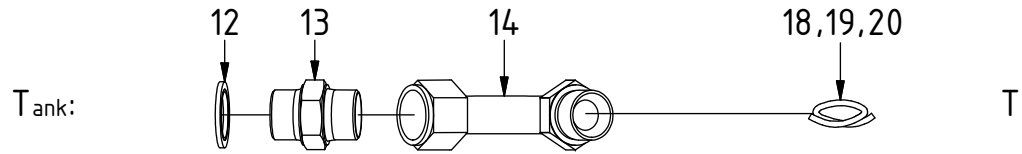
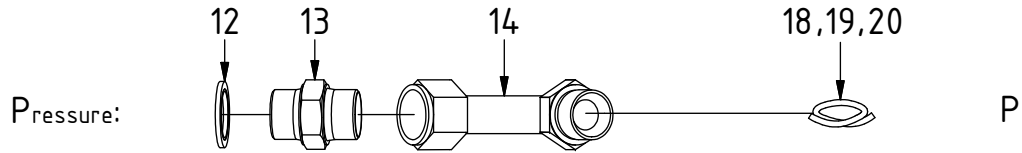
Replaces
POS.8-9

EC226 QSM - ss9IQ Hoses

POS in order of assembly

3/4" (Std)

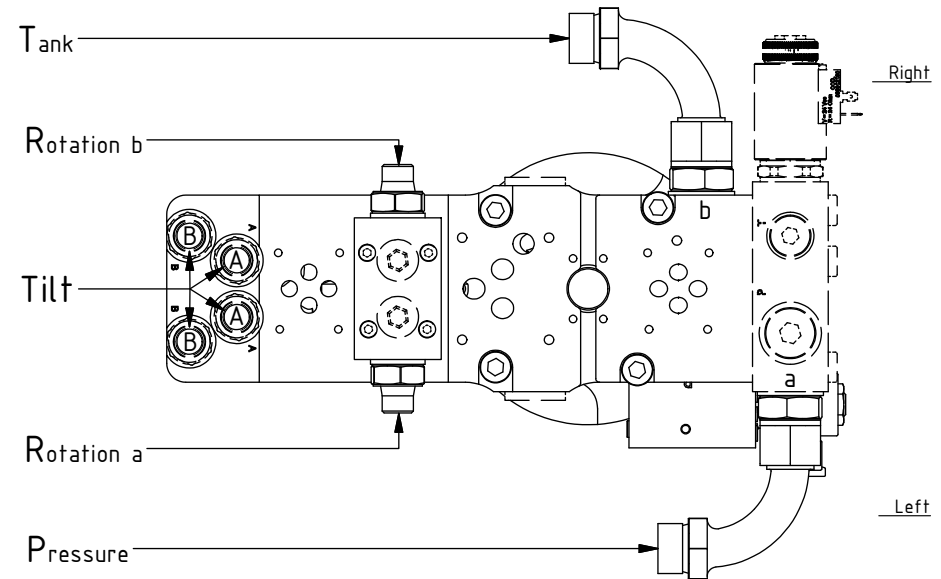
FEED



TILT



POS	DESCRIPTION	PART	QTY	COMMENTS
8	Washer GBR06 3/8	710703	4	
9	Adapter 136-06-06 (3/8")	710106	4	
12	Washer GBR12 3/4	710706	2	
13	Adapter Bsp 3/4" male - male	710126	2	
14	Adapter 488-12-12 90° (3/4")	7000059	2	
15	Sealing washer 1/2"	710704	2	
16	Adapter 135-06-08	710122	2	
17	For Feed Right/Left - UNI			Additional hose, see "Top part"
18	Hose Feed 3/4" - UNI	7000030	2	
19	Hose Feed 3/4" - QS70	7000063	2	QTY: 1 for Feed Right/Left
20	Hose Feed 3/4" Right/Left - QS70	7000065	1	Feed Right: Mount on left side Feed Left: Mount on right side
21	Hose Rotation a	7001312	1	
22	Hose Rotation b	7001313	1	
23	Hose Tilt	7000031	4	



EC226 QSM - ss9IQ Hoses

POS	DESCRIPTION	PART	QTY	COMMENTS
17	For Feed Right/Left - UNI			Additional hose, see "Top part"
18	Hose Feed 3/4" - UNI	7000030	2	
19	Hose Feed 3/4" - QS70	7000063	2	QTY: 1 for Feed Right/Left
20	Hose Feed 3/4" Right/Left - QS70	7000065	1	Feed Right: Mount on left side Feed Left: Mount on right side
21	Hose Rotation a	7001312	1	
22	Hose Rotation b	7001313	1	
23	Hose Tilt	7000031	4	

POS in order of assembly

