

COVERSHEET

Planned document changes:

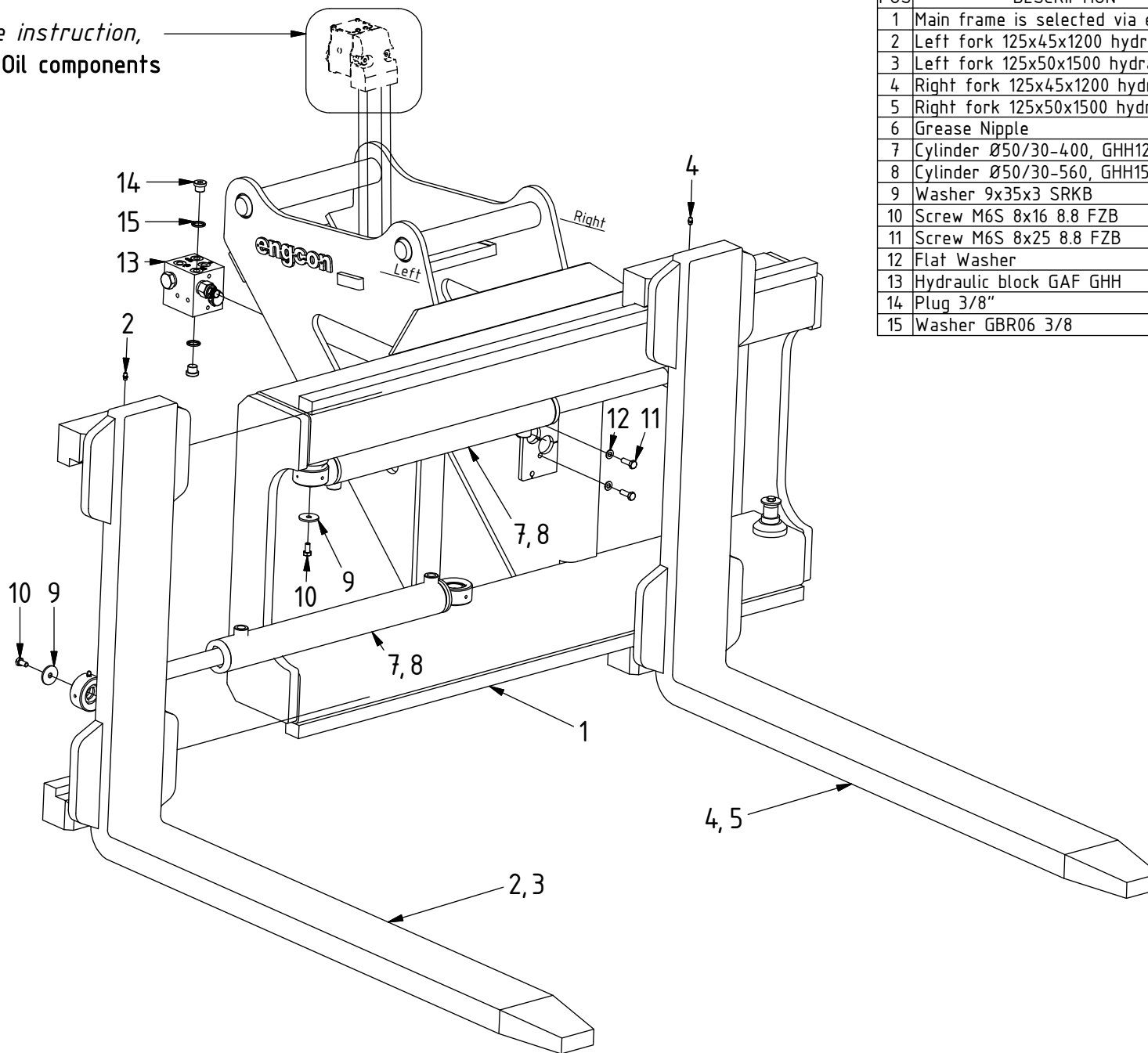
Briefly:

2024-01-30. Correct POS.37 on p.4 (it says 36). Add washer 710706 between 35 & 36.

Document changes:

<u>Date:</u>	<u>Change:</u>	<u>Rev. after change:</u>
2021-10-21	Cylinder for GHH1500 added. Hoses updated.	A
2020-12-10	New instruction.	-

See instruction,
EC-Oil components



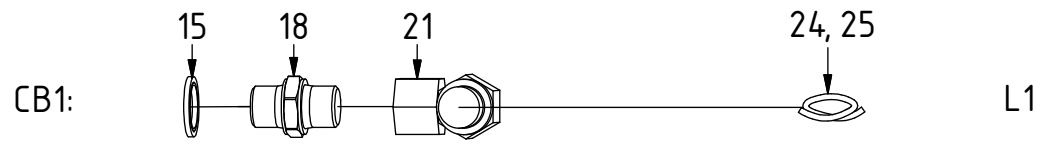
POS	DESCRIPTION	PART	QTY	COMMENTS
1	Main frame is selected via engcon		1	
2	Left fork 125x45x1200 hydraulic	1046403	1	
3	Left fork 125x50x1500 hydraulic	1046529	1	
4	Right fork 125x45x1200 hydraulic	1046400	1	
5	Right fork 125x50x1500 hydraulic	1046530	1	
6	Grease Nipple	7114.05	6	
7	Cylinder Ø50/30-400, GHH1200	1031181	2	For GHH 1200
8	Cylinder Ø50/30-560, GHH1500	1050862	2	For GHH 1500
9	Washer 9x35x3 SRKB	6000212	4	
10	Screw M6S 8x16 8.8 FZB	610122	4	
11	Screw M6S 8x25 8.8 FZB	610124	2	
12	Flat Washer	611005	2	
13	Hydraulic block GAF GHH	7000482	1	
14	Plug 3/8"	711504	2	
15	Washer GBR06 3/8	710703	8	QTY: 10 for QS45/QS50 with ECO

POS in order of assembly

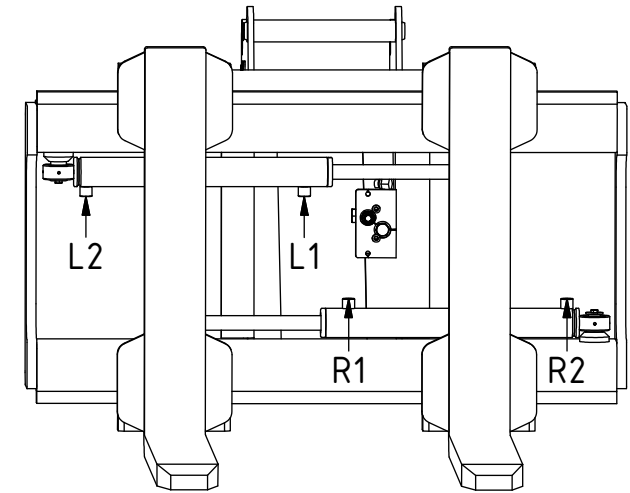
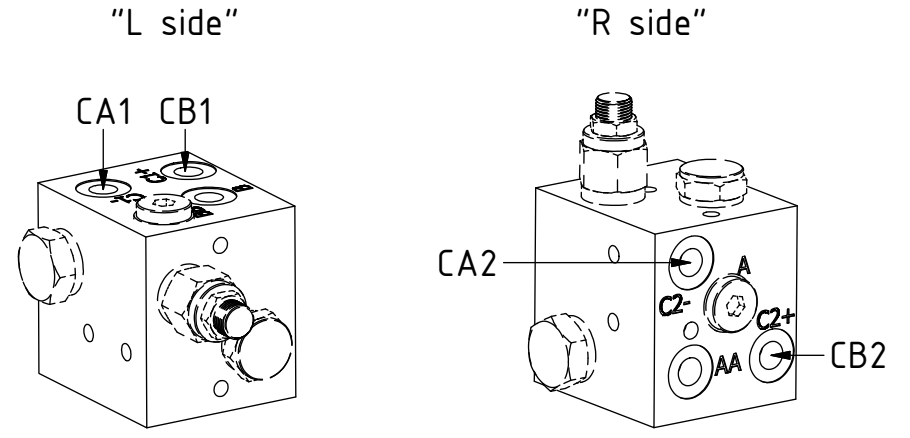
Std & EC-Oil

POS	DESCRIPTION	PART	QTY	COMMENTS
15	Washer GBR06 3/8	710703	8	QTY: 10 for QS45/QS50 with ECO
18	Adapter 3/8"	710106	5	QTY: 7 for QS45/QS50 with ECO
21	Adapter 90° 3/8" male-sw female	710216	1	
22	Hose Cylinder L2	7001455	1	For GHH 1200
23	Hose Cylinder L2	7001462	1	For GHH 1500
24	Hose Cylinder L1	7001450	1	For GHH 1200
25	Hose Cylinder L1	7001458	1	For GHH 1500
26	Hose Cylinder R2	7001454	1	For GHH 1200
27	Hose Cylinder R2	7001457	1	For GHH 1500
28	Hose Cylinder R1	7001449	1	For GHH 1200
29	Hose Cylinder R1	7001453	1	For GHH 1500

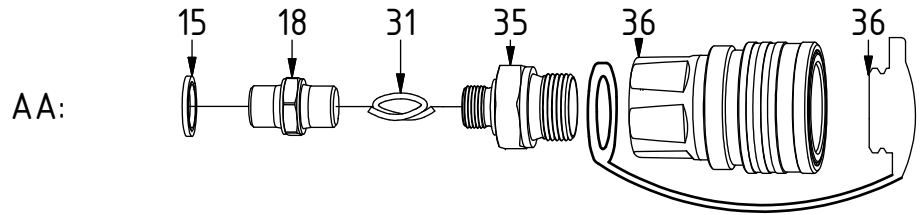
POS in order of assembly



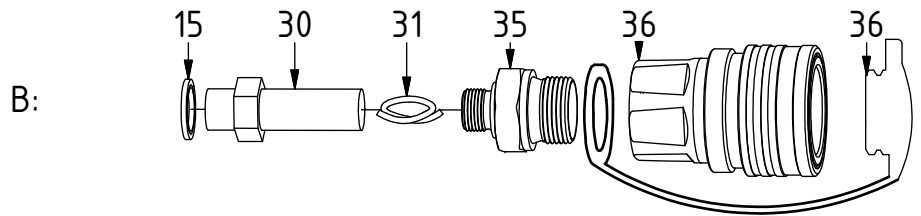
continue to p.4



Std

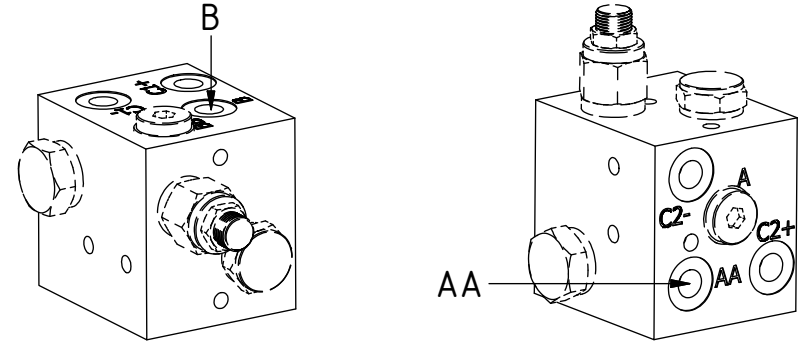


P

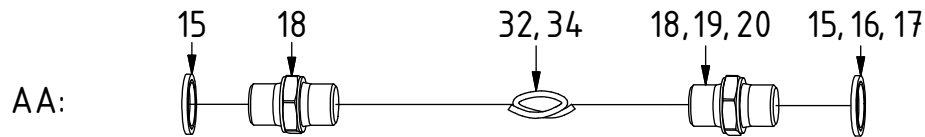


T

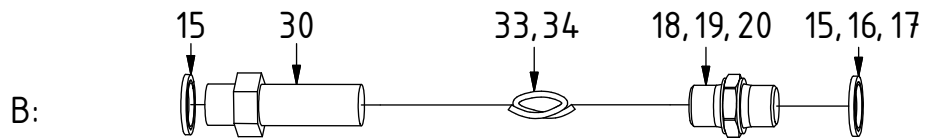
POS	DESCRIPTION	PART	QTY	COMMENTS
15	Washer GBR06 3/8	710703	8	QTY: 10 for QS45/QS50 with ECO
16	Washer GBR08 1/2	710704	2	For QS60
17	Washer GBR08 3/4	710706	2	For QS70
18	Adapter 3/8"	710106	5	QTY: 7 for QS45/QS50 with ECO
19	Adapter 3/8"-1/2"	710122	2	For QS60
20	Adapter 3/8"-3/4"	710107	2	For QS70
30	Adapter 1265-06-06	710262	1	
31	Hose	7001452	2	
32	Hose EC-Oil P	7001460	1	For GHH 1200
33	Hose EC-Oil T	7001459	1	For GHH 1200
34	Hose EC-Oil	7001463	2	For GHH 1500
35	Adapter 3/8" male - 3/4" male	710107	2	
36	TEMA 7510 Female	790192	2	
37	Dust protector 3/4"	790194	2	



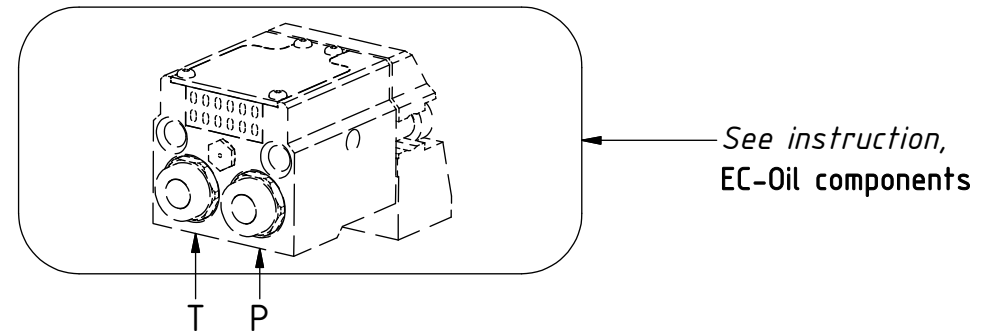
EC-Oil



P

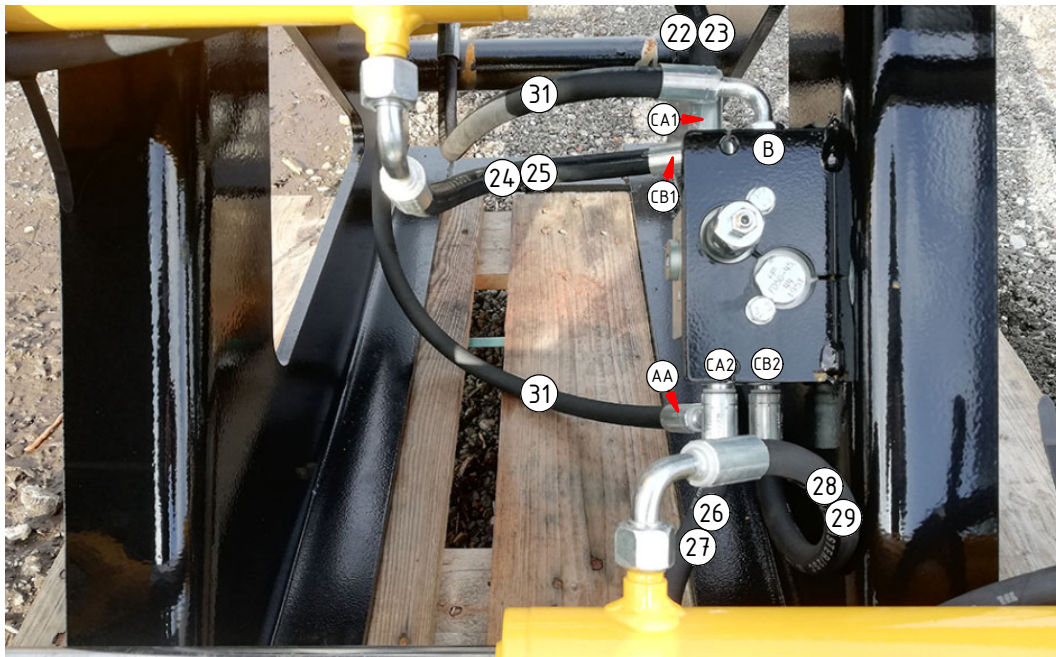
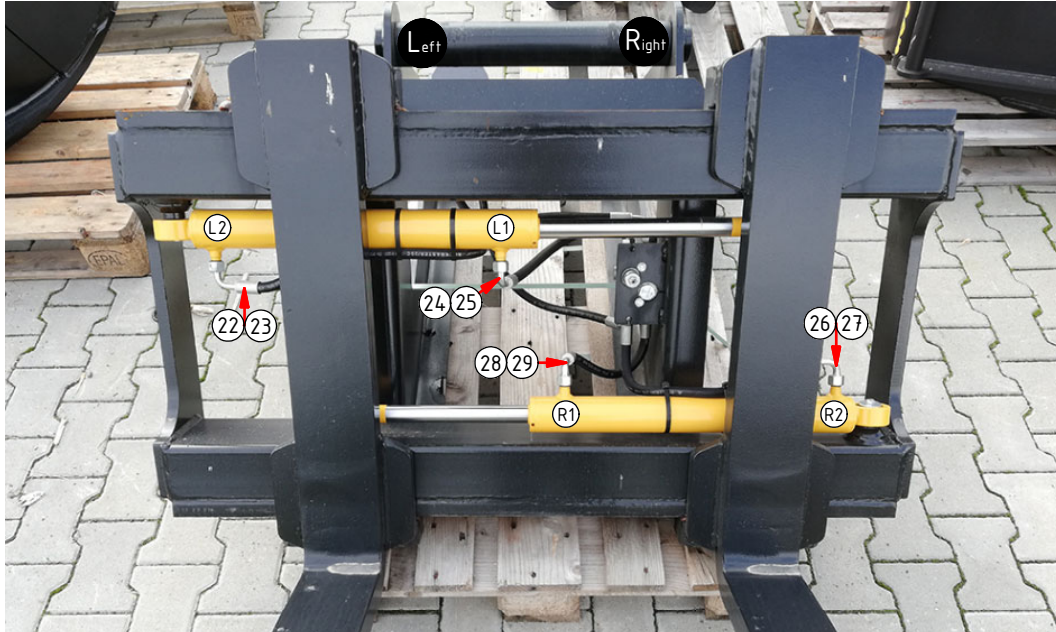


T



GAF GHH1200/1500

Standard



POS	DESCRIPTION	PART	QTY	COMMENTS
22	Hose Cylinder L2	7001455	1	For GHH 1200
23	Hose Cylinder L2	7001462	1	For GHH 1500
24	Hose Cylinder L1	7001450	1	For GHH 1200
25	Hose Cylinder L1	7001458	1	For GHH 1500
26	Hose Cylinder R2	7001454	1	For GHH 1200
27	Hose Cylinder R2	7001457	1	For GHH 1500
28	Hose Cylinder R1	7001449	1	For GHH 1200
29	Hose Cylinder R1	7001453	1	For GHH 1500
31	Hose	7001452	2	
32	Hose EC-Oil P	7001460	1	For GHH 1200
33	Hose EC-Oil T	7001459	1	For GHH 1200
34	Hose EC-Oil	7001463	2	For GHH 1500

EC-Oil

