

COVERSHEET

Planned document changes:

Briefly:

No planned changes.

Document changes:

Date:

Change:

Rev.

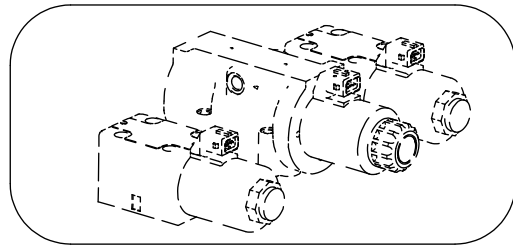
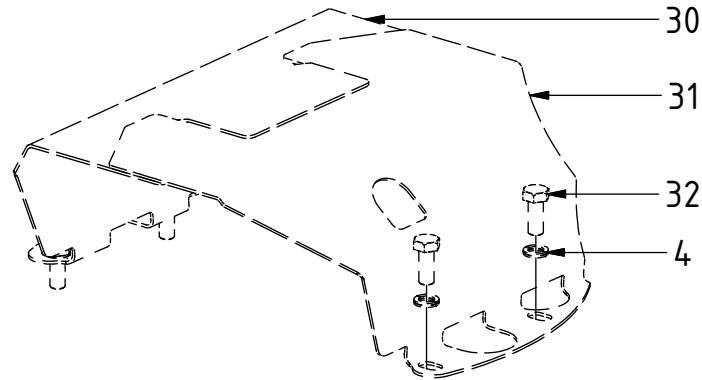
after change:

2020-09-14

New instruction.

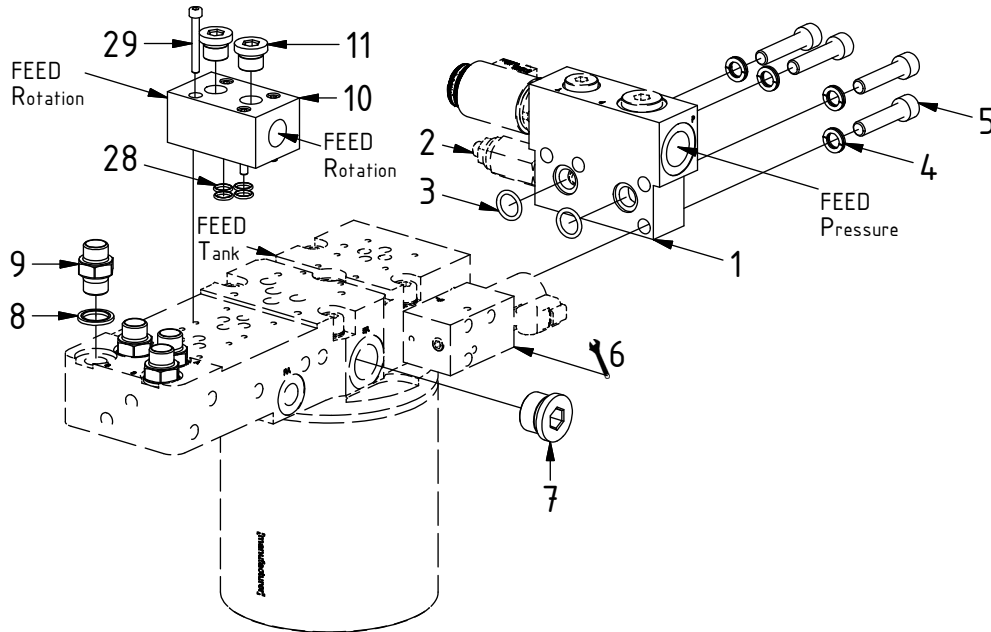
-

EC219 QSM - ss9IQ Hoses

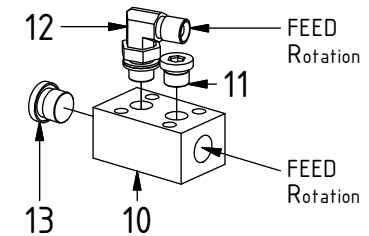


See instruction,
Std. Valves & cables

POS	DESCRIPTION	PART	QTY	COMMENTS
1	Connection block P reducer +Dump	1027707	1	(Dump & POS.2 included)
2	Dual relief valve 1CLLR100	730287	1	
3	O-ring 15,54x2,62	712423	2	
4	Washer NL 10mm	611041	8	QTY: 4 part of make up
5	MC6S M10x45 12.9	610589	4	
6	Mount before adapters and feed hoses			See "Std Valves & cables"
7	Plug 70125-12 (3/4")	711532	2	
8	Sealing washer 3/8"	710703	4	
9	Adapter 136-06-06 (3/8")	710106	4	
10	Connection block 1/2"	405670	1	
11	Plug 3/8"	711504	2	QTY: 1 for EC-Oil
12	Adapter 401-06-06 90° (3/8")	710152	1	
13	Plugg VSTIR12ED	711500	1	
28	O-ring 9,25x1,78	710901	4	
29	MC6S M5x40 12.9	610405	4	Torque: 9,7Nm
30	Protective cover EC219 ECHF right	1027796	1	
31	Protective cover EC219 ECHF left	1027795	1	
32	Screw M6S 10x25	610142	4	

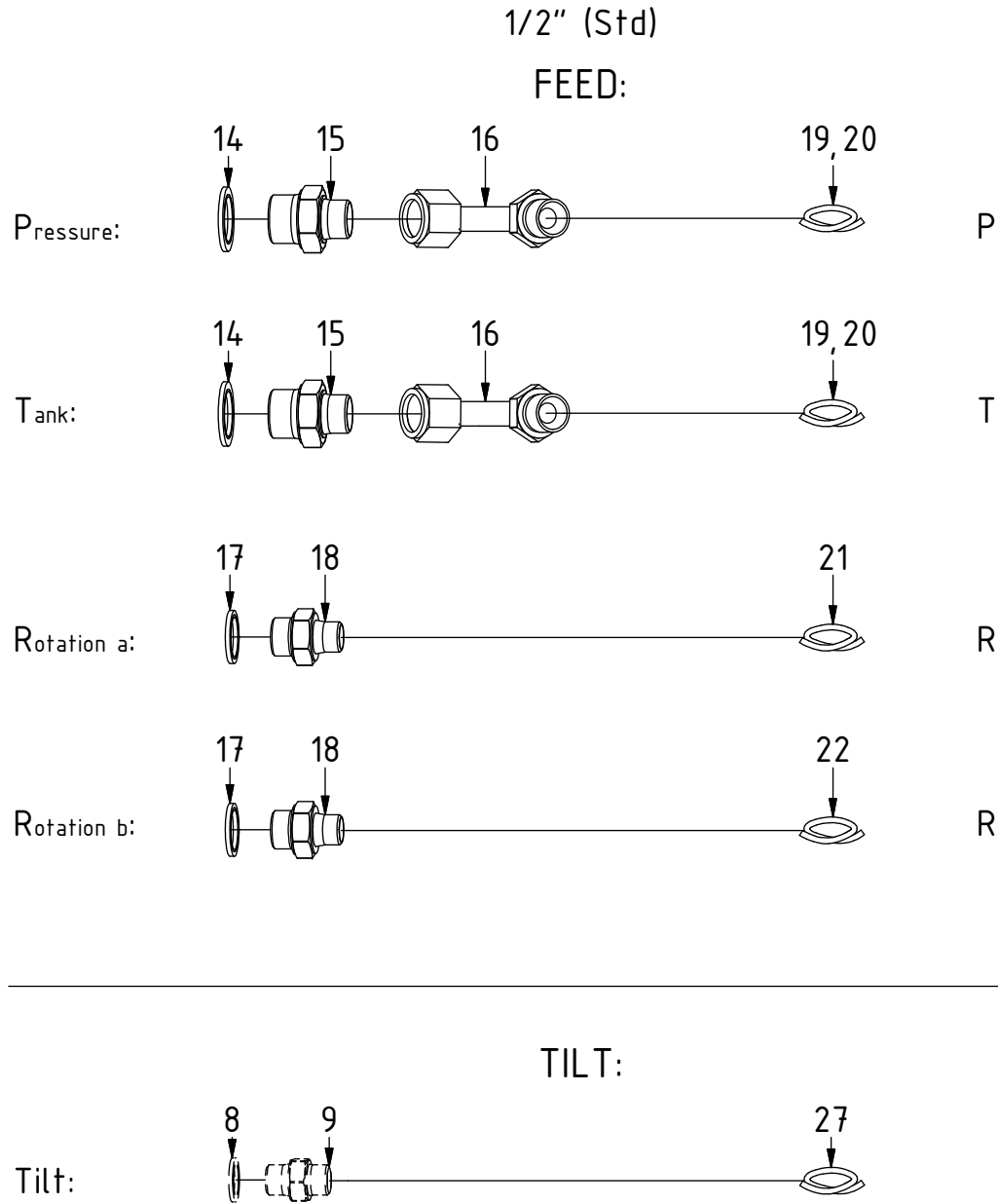


Top EC-Oil

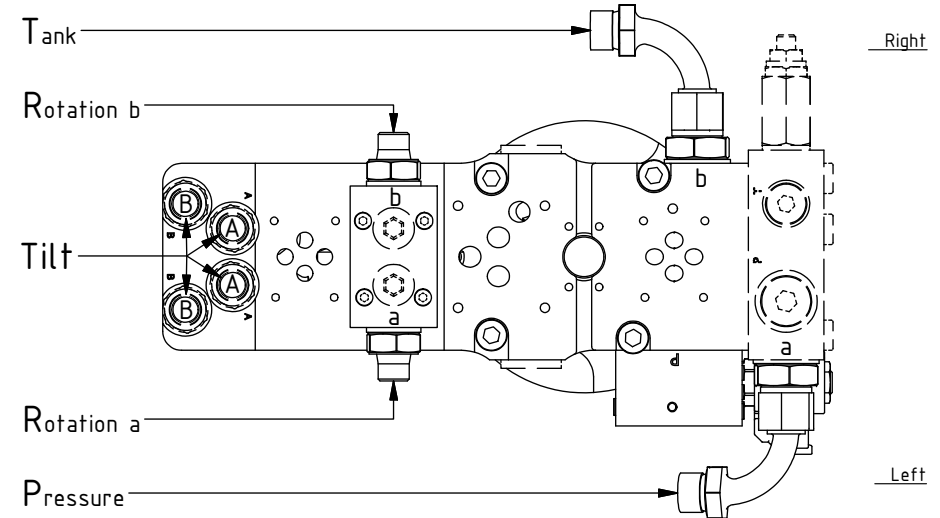


EC219 QSM - ss9IQ Hoses

POS in order of assembly



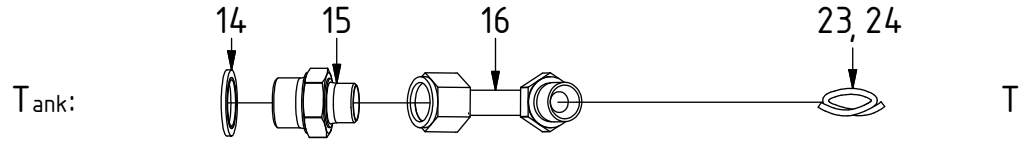
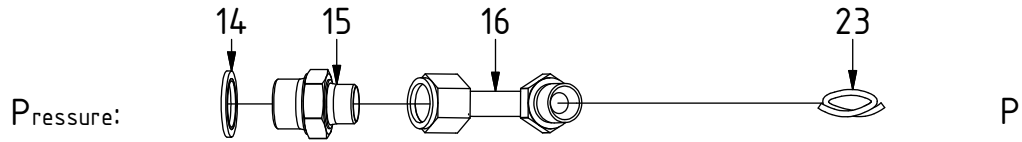
POS	DESCRIPTION	PART	QTY	COMMENTS
8	Sealing washer 3/8"	710703	4	
9	Adapter 136-06-06 (3/8")	710106	4	
14	Sealing washer 3/4"	710706	6	
15	Adapter 135-08-12 (1/2"-3/4")	710109	2	
16	Adapter 488-08-08 90° (1/2")	712209	2	
17	Sealing washer 1/2"	710704	10	
19	Hose Feed 1/2"	742620	2	QTY: 1 for Feed Right/Left
20	Hose Feed 1/2" Right/Left	742657	1	Feed Right: Mount on left side Feed Left: Mount on right side
21	Hose Rotation a	7001312	1	
22	Hose Rotation b	7001313	1	
27	Hose Tilt	7000027	4	



EC219 QSM - ss9IQ Hoses

POS in order of assembly

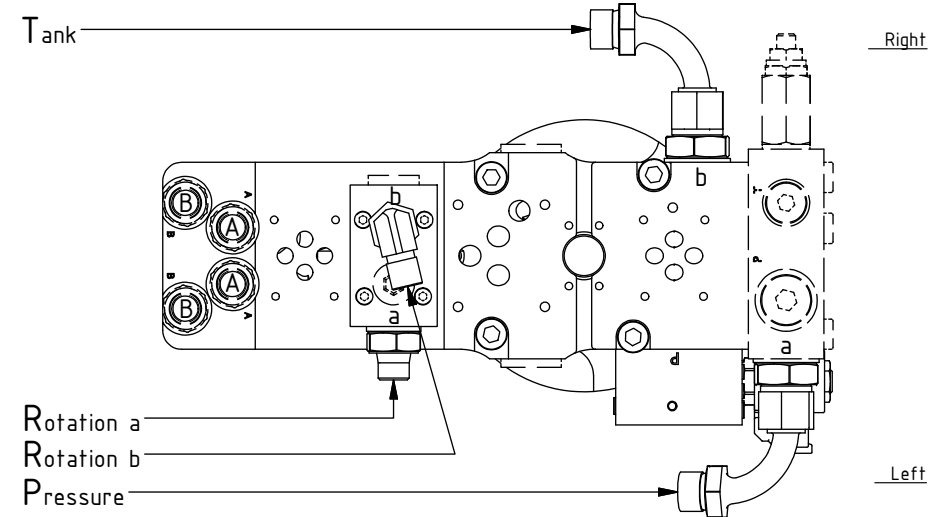
Top EC-Oil FEED:



TILT:



POS	DESCRIPTION	PART	QTY	COMMENTS
8	Sealing washer 3/8"	710703	4	
9	Adapter 136-06-06 (3/8")	710106	4	
12	Adapter 401-06-06 90° (3/8")	710152	1	
14	Sealing washer 3/4"	710706	6	
15	Adapter 135-08-12 (1/2"-3/4")	710109	2	
16	Adapter 488-08-08 90° (1/2")	712209	2	
17	Sealing washer 1/2"	710704	10	
23	Hose Feed EC-Oil Short	742653	1	QTY: 2 For option 2Bl.Feed
24	Hose Feed EC-Oil Long	7000375	1	
25	Hose Rotation EC-Oil a	7000376	1	
26	Hose Rotation EC-Oil b	7000377	1	
27	Hose Tilt	7000027	4	

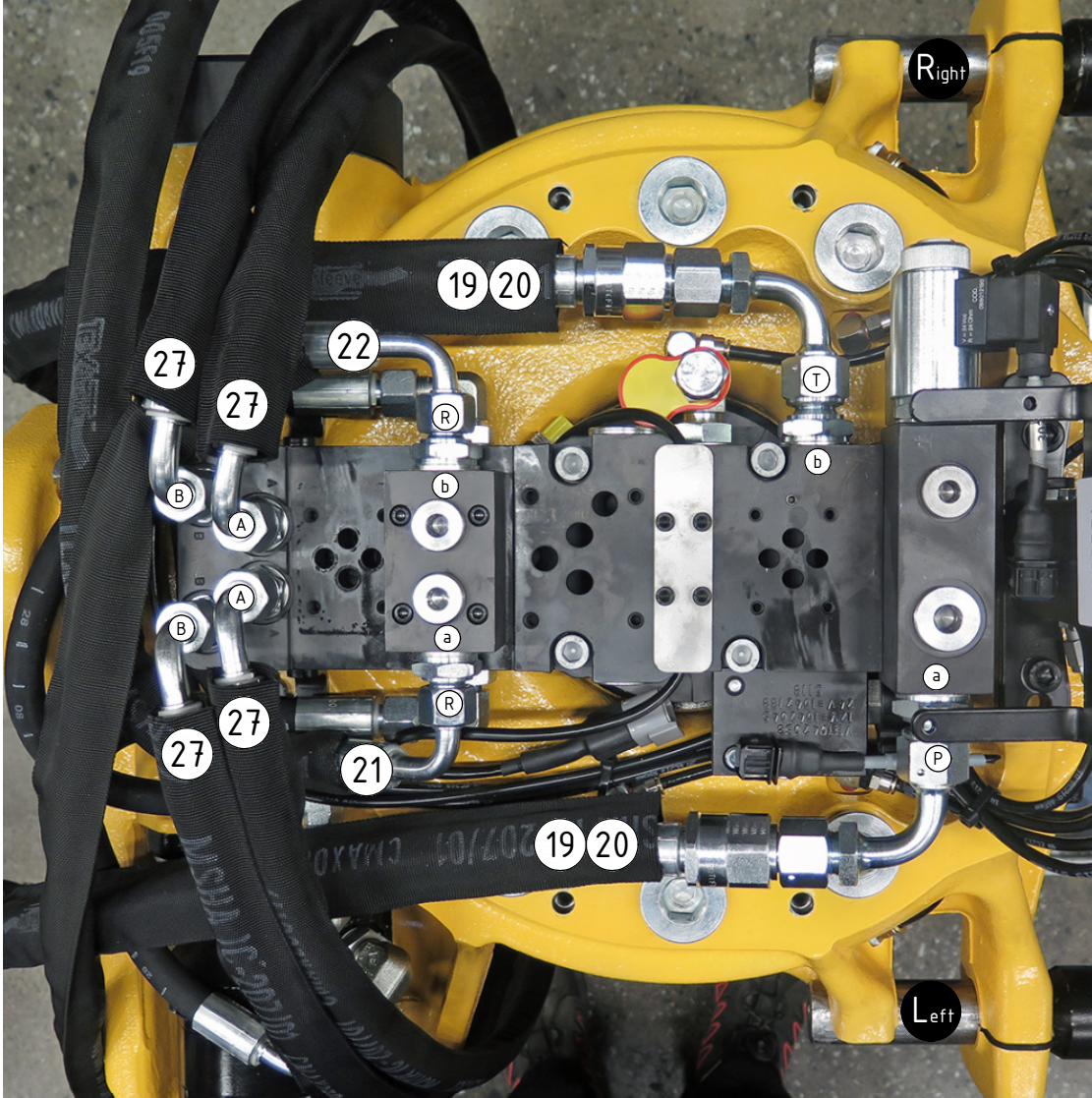


EC219 QSM - ss9IQ Hoses

1/2" (Std)

POS	DESCRIPTION	PART	QTY	COMMENTS
19	Hose Feed 1/2"	742620	2	QTY: 1 for Feed Right/Left
20	Hose Feed 1/2" Right/Left	742657	1	Feed Right: Mount on left side Feed Left: Mount on right side
21	Hose Rotation a	7001312	1	
22	Hose Rotation b	7001313	1	
27	Hose Tilt	7000027	4	

POS in order of assembly



EC219 QSM - ss9IQ Hoses

Top EC-Oil

POS	DESCRIPTION	PART	QTY	COMMENTS
23	Hose Feed EC-Oil Short	742653	1	QTY: 2 For option 2Bl.Feed
24	Hose Feed EC-Oil Long	7000375	1	
25	Hose Rotation EC-Oil a	7000376	1	
26	Hose Rotation EC-Oil b	7000377	1	
27	Hose Tilt	7000027	4	

POS in order of assembly

