

COVERSHEET

Planned document changes:

Briefly:

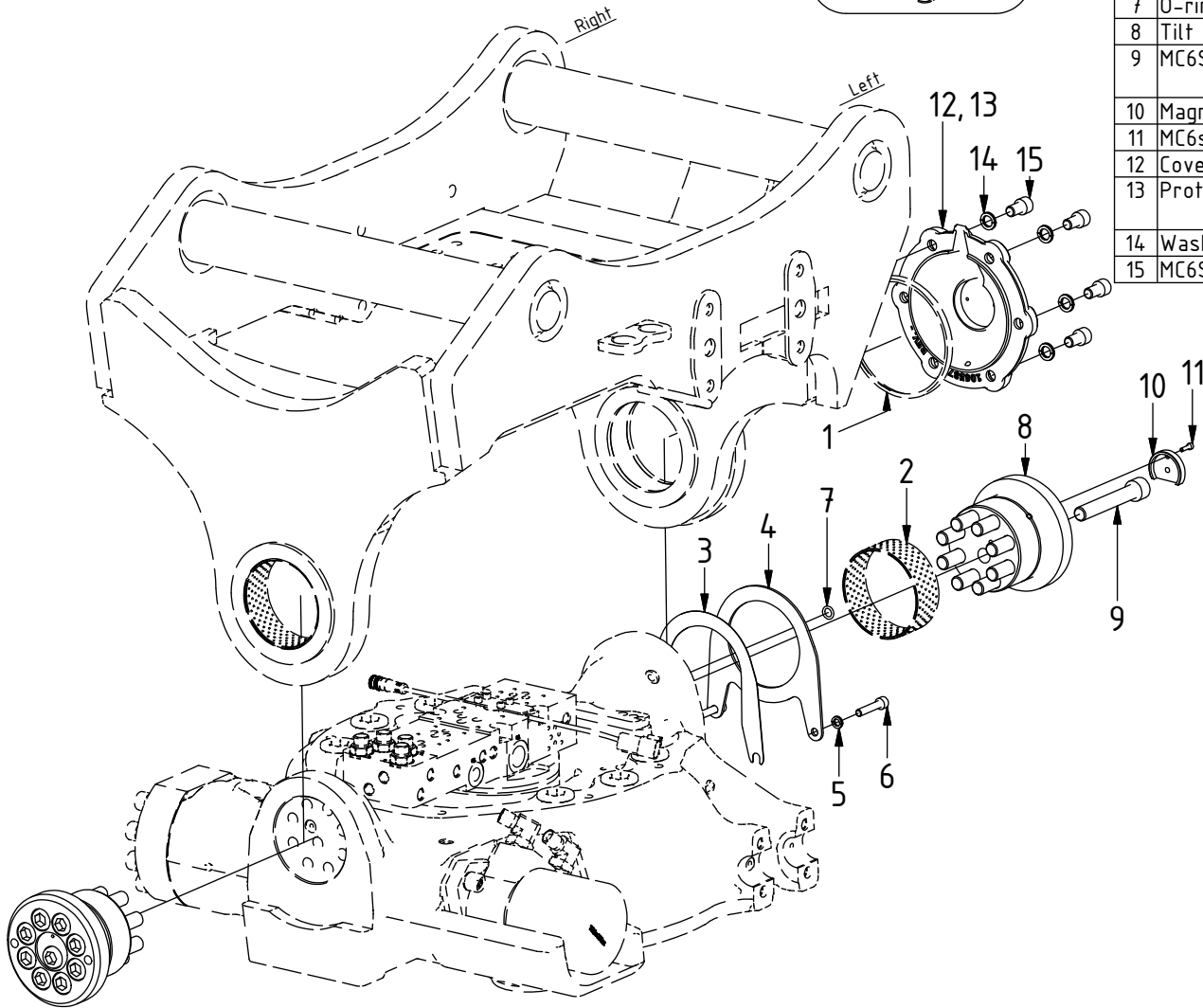
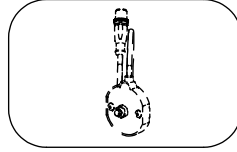
No planned changes.

Document changes:

Date:	Change:	Rev. after change:
2022-05-12	Details for EC226S added. (EC226 with T/R sensors).	C
2021-12-22	Photos added.	B
2020-10-13	Screw length corrected.	A
2020-04-15	New instruction.	-

EC226 QSM - Std Top part components

See instruction,
T/R Sensors



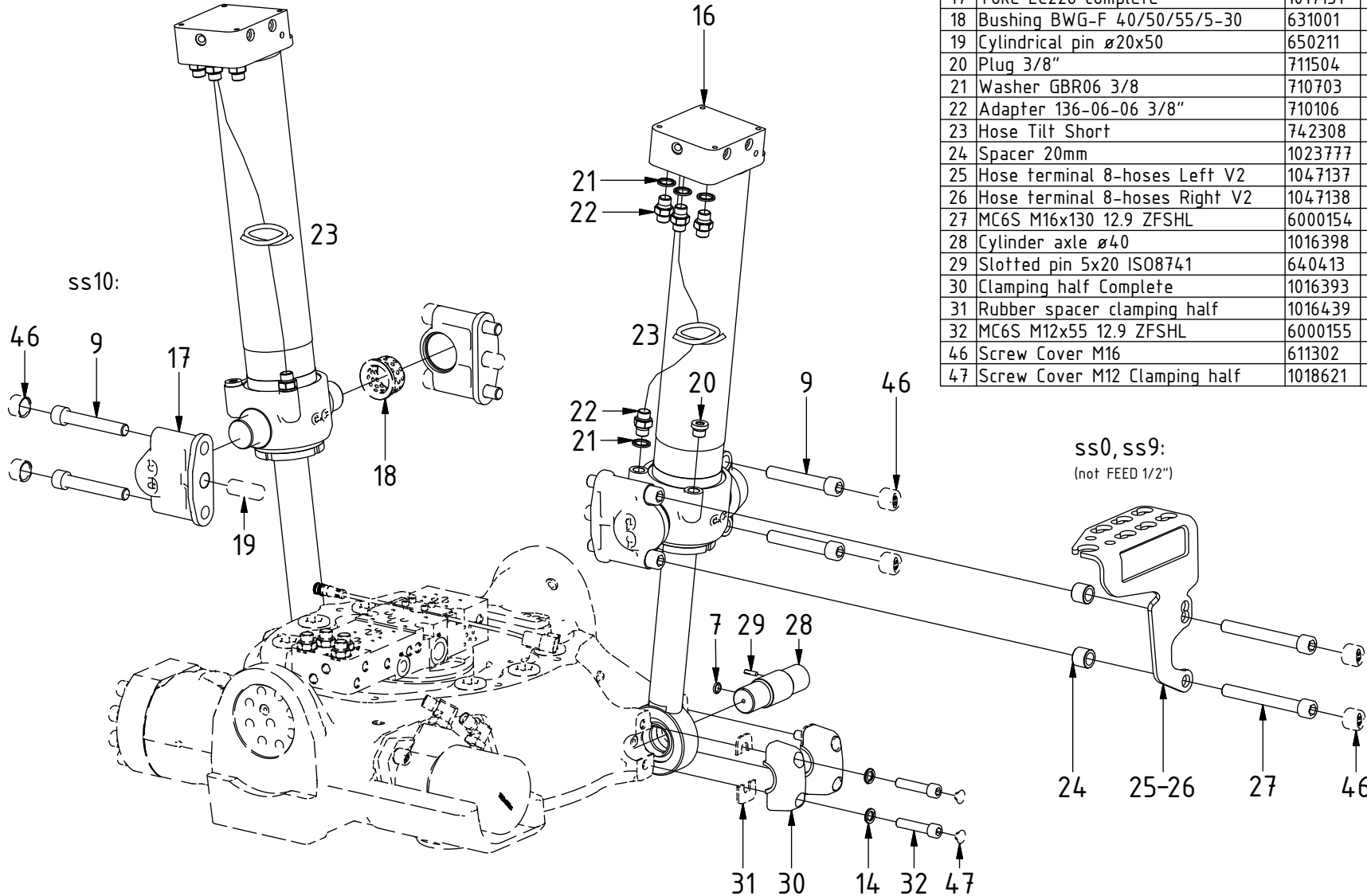
POS	DESCRIPTION	PART	QTY	COMMENTS
1	Seal PAK-130x140x7-L	1064208	1	(Included in Top part)
2	Bushing WB802 100/105 L40	630320	2	(Included in Top part)
3	Shims tilt axle	1011244	1	Use if required
4	Axial washer tilt	1011238	1	
5	Washer NL 8mm	611040	10	QTY: 8 part of Tilt cylinder
6	MC6S M8x40 12.9 ZFSLH	6000145	2	
7	O-ring 9,92x2,62	710968	4	
8	Tilt axle EC226	1064205	2	
9	MC6S M16x100 12.9 ZFSLH	6000156	26	QTY depends on config. (22-26) Torque: 333Nm
10	Magnet spacer tilt axle	1064185	1	For EC226S
11	MC6s M4x14 8,8 FZB	6000355	1	For EC226S
12	Cover tiltaxle EC226 Cast	1065871	1	For EC226S
13	Protection plate tilt axle EC226	1064718	1	For EC226/EC226PS Groove facing downwards
14	Washer NL 12mm	611042	14	
15	MC6S M12x20 12.9 ZFSLH	6000356	6	

POS in order of assembly

EC226 QSM - Std Top part components

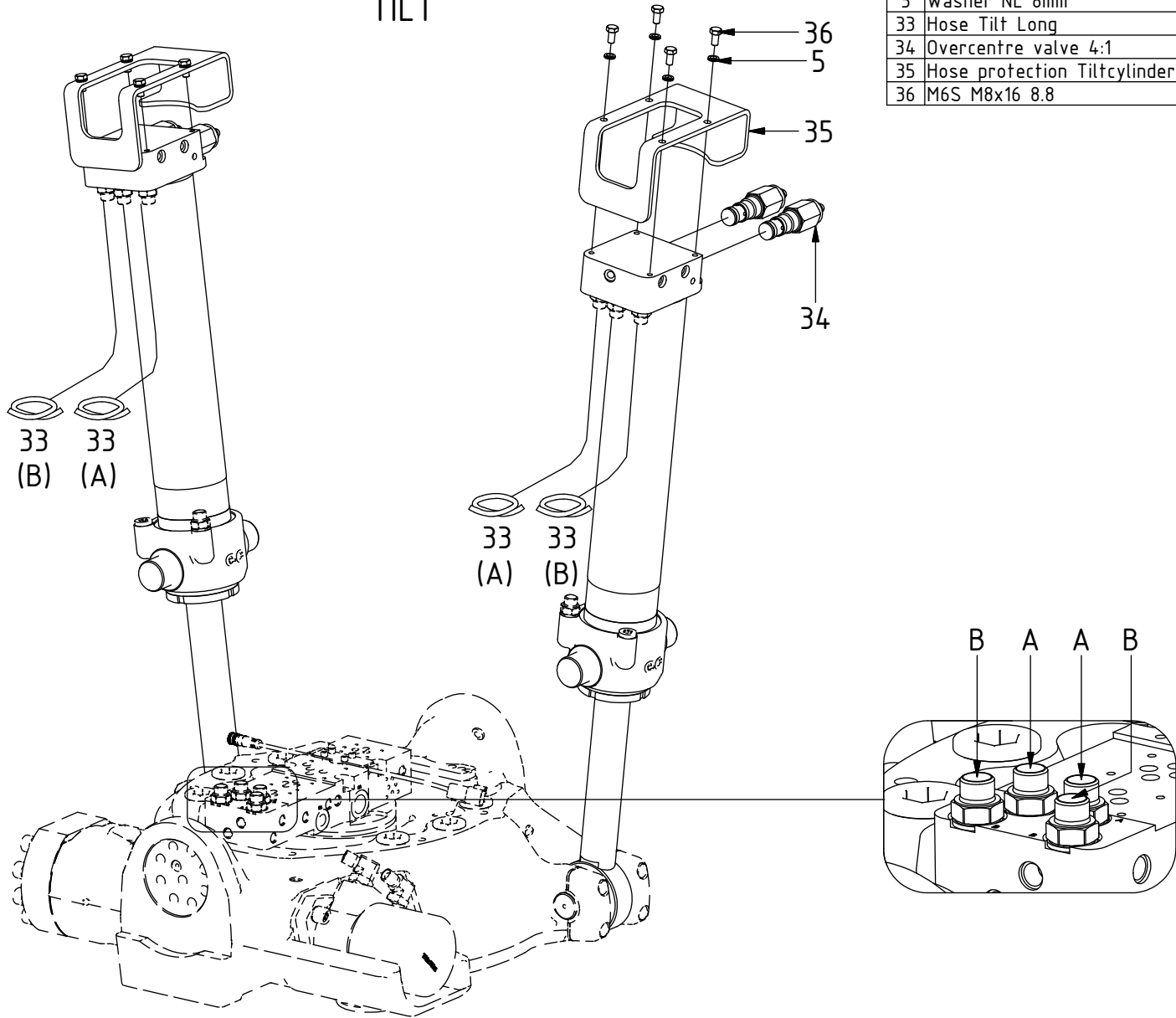
POS in order of assembly

POS	DESCRIPTION	PART	QTY	COMMENTS
7	O-ring 9,92x2,62	710968	4	
9	MC6S M16x100 12.9 ZFSHL	6000156	26	QTY depends on config. (22-26) Torque: 333Nm
14	Washer NL 12mm	611042	14	
16	Tilt cylinder EC226	1019884	2	See "Tilt cylinders"
17	Yoke EC226 complete	1017151	4	(POS.18-19 included)
18	Bushing BWG-F 40/50/55/5-30	631001	4	
19	Cylindrical pin \varnothing 20x50	650211	4	
20	Plug 3/8"	711504	2	
21	Washer GBR06 3/8	710703	8	
22	Adapter 136-06-06 3/8"	710106	8	
23	Hose Tilt Short	742308	2	
24	Spacer 20mm	1023777	4	
25	Hose terminal 8-hoses Left V2	1047137	1	
26	Hose terminal 8-hoses Right V2	1047138	1	
27	MC6S M16x130 12.9 ZFSHL	6000154	4	Torque: 333Nm
28	Cylinder axle \varnothing 40	1016398	2	
29	Slotted pin 5x20 ISO8741	640413	2	
30	Clamping half Complete	1016393	4	(POS.31 included)
31	Rubber spacer clamping half	1016439	4	
32	MC6S M12x55 12.9 ZFSHL	6000155	8	Torque: 136Nm
46	Screw Cover M16	611302	8	Part of make up
47	Screw Cover M12 Clamping half	1018621	8	Part of make up



EC226 QSM - Std Top part components

TILT



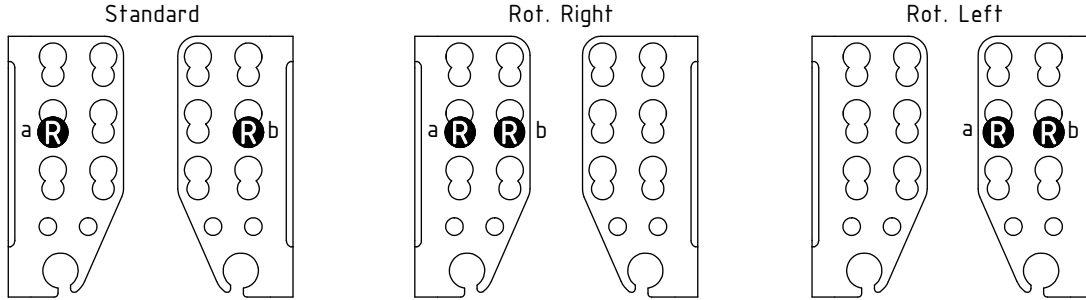
POS	DESCRIPTION	PART	QTY	COMMENTS
5	Washer NL 8mm	611040	10	QTY: 8 part of Tilt cylinder
33	Hose Tilt Long	7000031	4	
34	Overcentre valve 4:1	730277	4	Torque: 60Nm
35	Hose protection Tiltcylinder	1014280	2	
36	M6S M8x16 8.8	610122	8	

EC226 QSM - Std Top part components

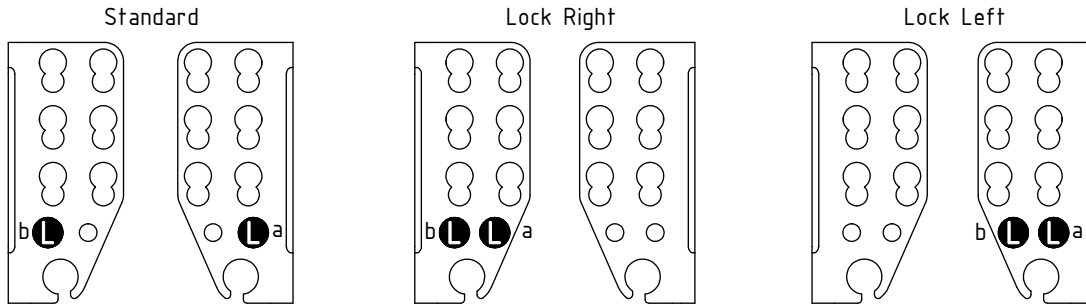
- R** = 37
- L** = 41
- filt** = 37
- G** = 37

FEED 3/4" (Std)

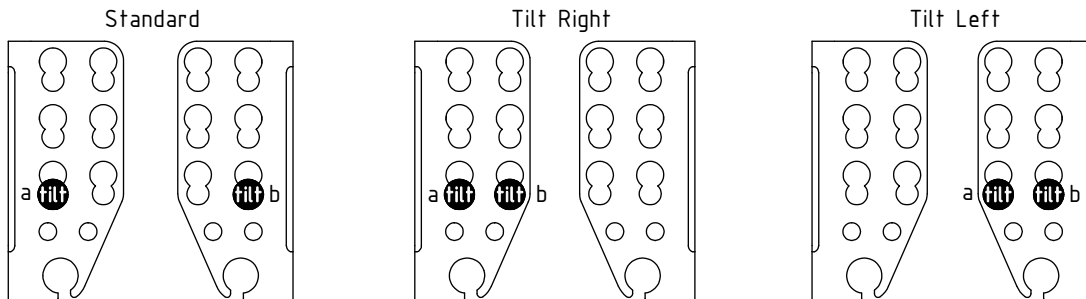
Rotation



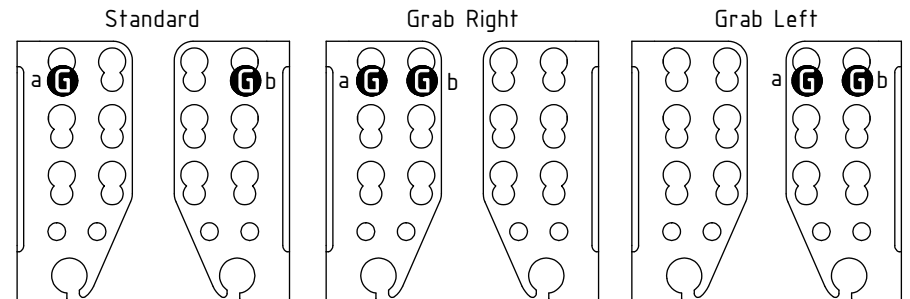
Lock (SQ)



Tilt (ST)



Grab (SG)



POS	DESCRIPTION	PART	QTY	COMMENTS
37	Use washer, adapter, nut: POS.32, 33, 34			
38	Washer NL 16mm	611044	2	
39	Adapter 1260-06-32 (3/8")	710242	2	
40	Counternut 1270-06 (3/8")	710252	2	
41	Use washer, adapter, nut: POS.36, 37, 38			QTY depends on config. (2-4)
42	Washer NL 1/2"	611096	2	
43	Adapter 1260-04-04 (1/4")	710240	2	
44	Counternut 1270-04 (1/4")	710250	2	
	Attach feed hoses from control system			(a & b represents channels on feed block)

POS in order of assembly

EC226 QSM - Std Top part components

TILT

POS	DESCRIPTION	PART	QTY	COMMENTS
23	Hose Tilt Short	742308	2	
33	Hose Tilt Long	7000031	4	

POS in order of assembly

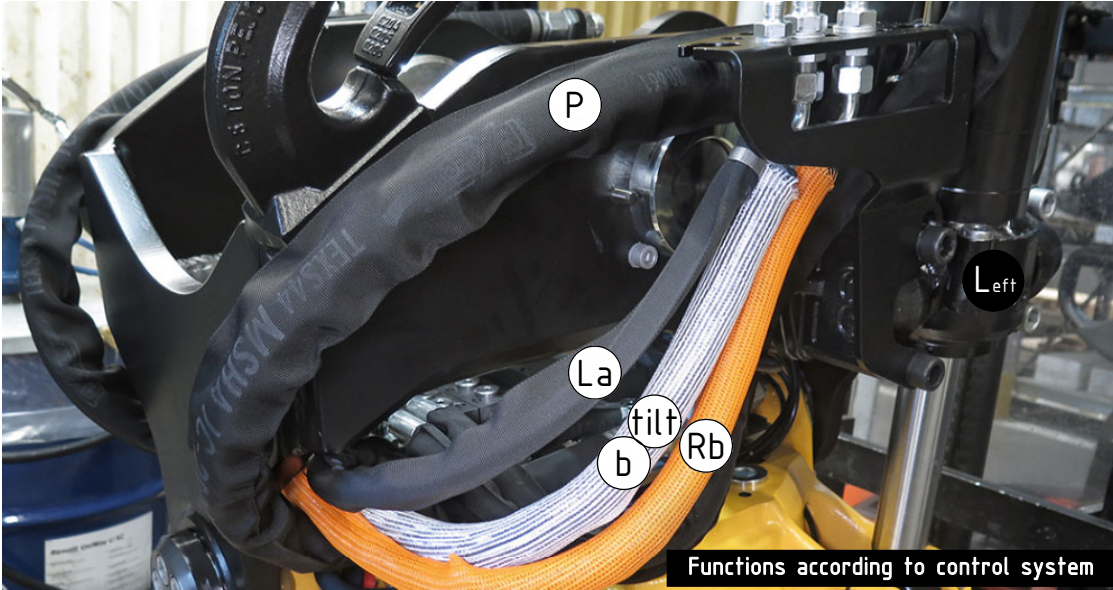


EC226 QSM - Std Top part components

FEED

3/4" (Std)

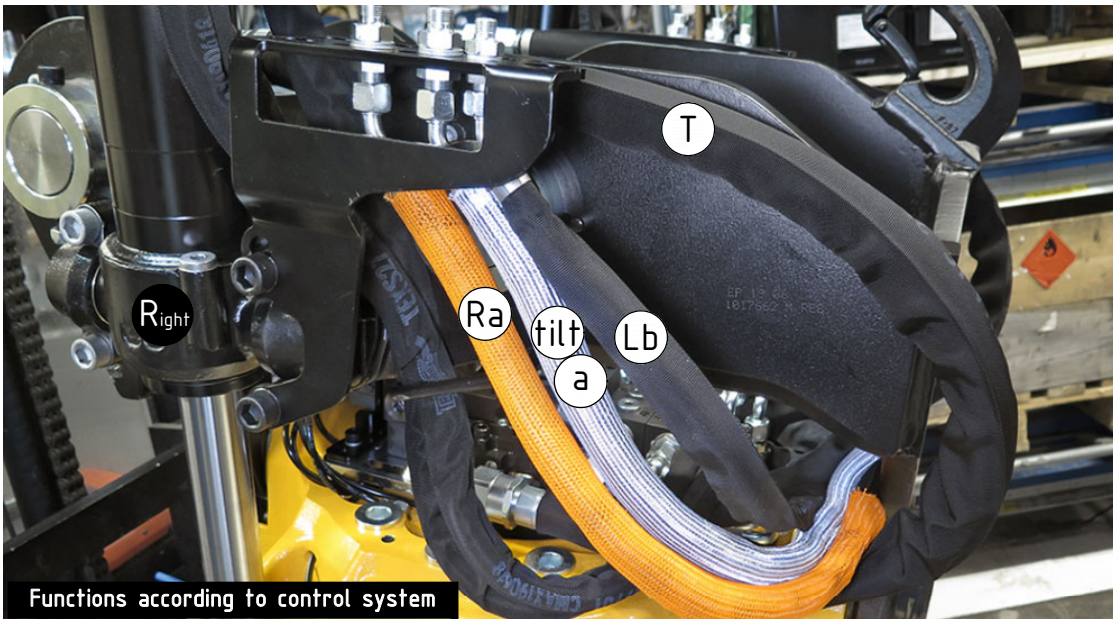
POS	DESCRIPTION	PART	QTY	COMMENTS
	Attach feed hoses from control system			(a & b represents channels on feed block)



Feed Left:

Photo needed: option Feed Left

Functions according to control system



Feed Right:

Photo needed: option Feed Right

Functions according to control system

Dashed lines for overview, mounts on other pages/assemblies. indicates instruction. represents hose.