

COVERSHEET

Planned document changes:

Briefly:

No planned changes.

Document changes:

Date:

Change:

Rev.

after change:

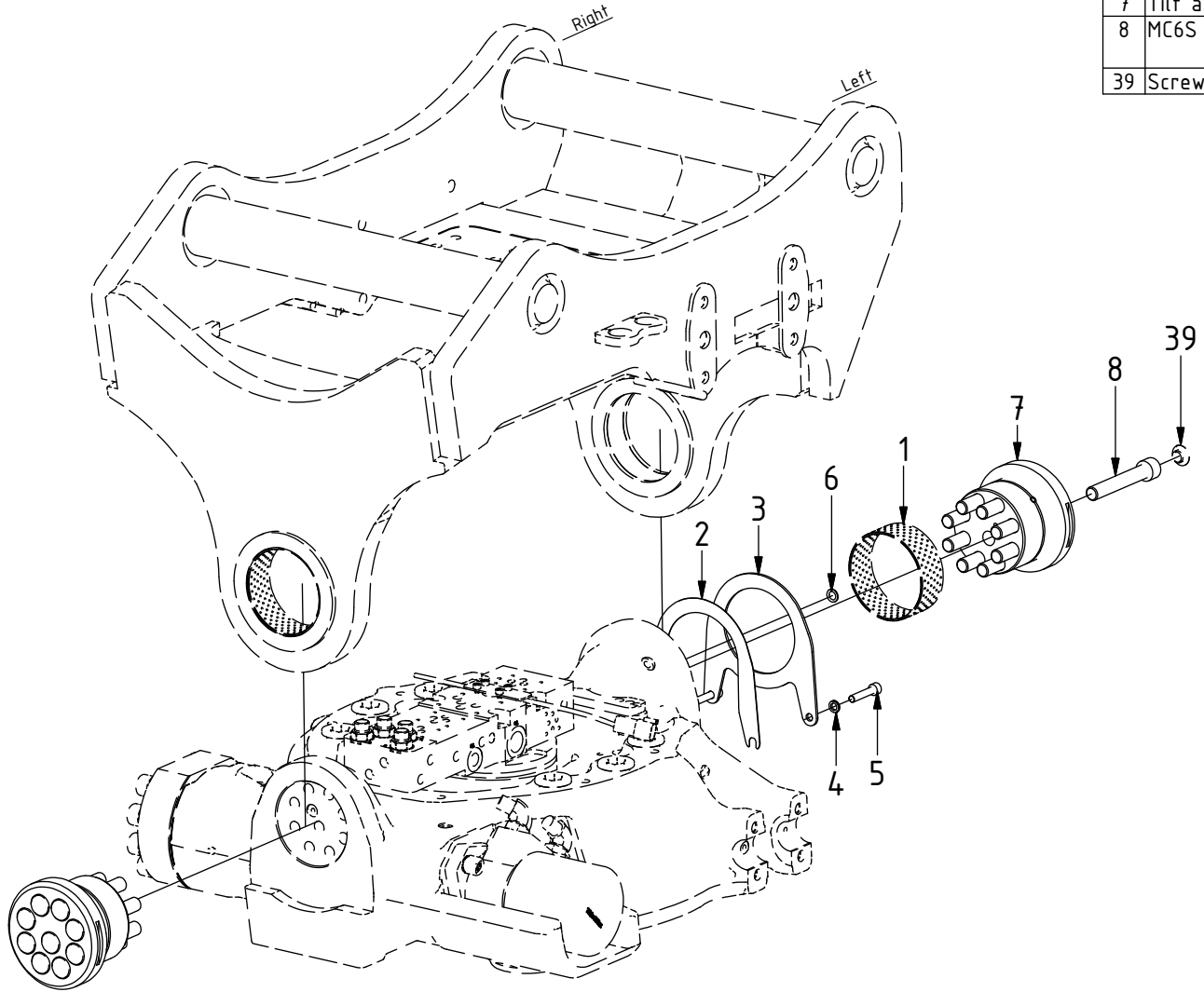
2020-04-15

New instruction.

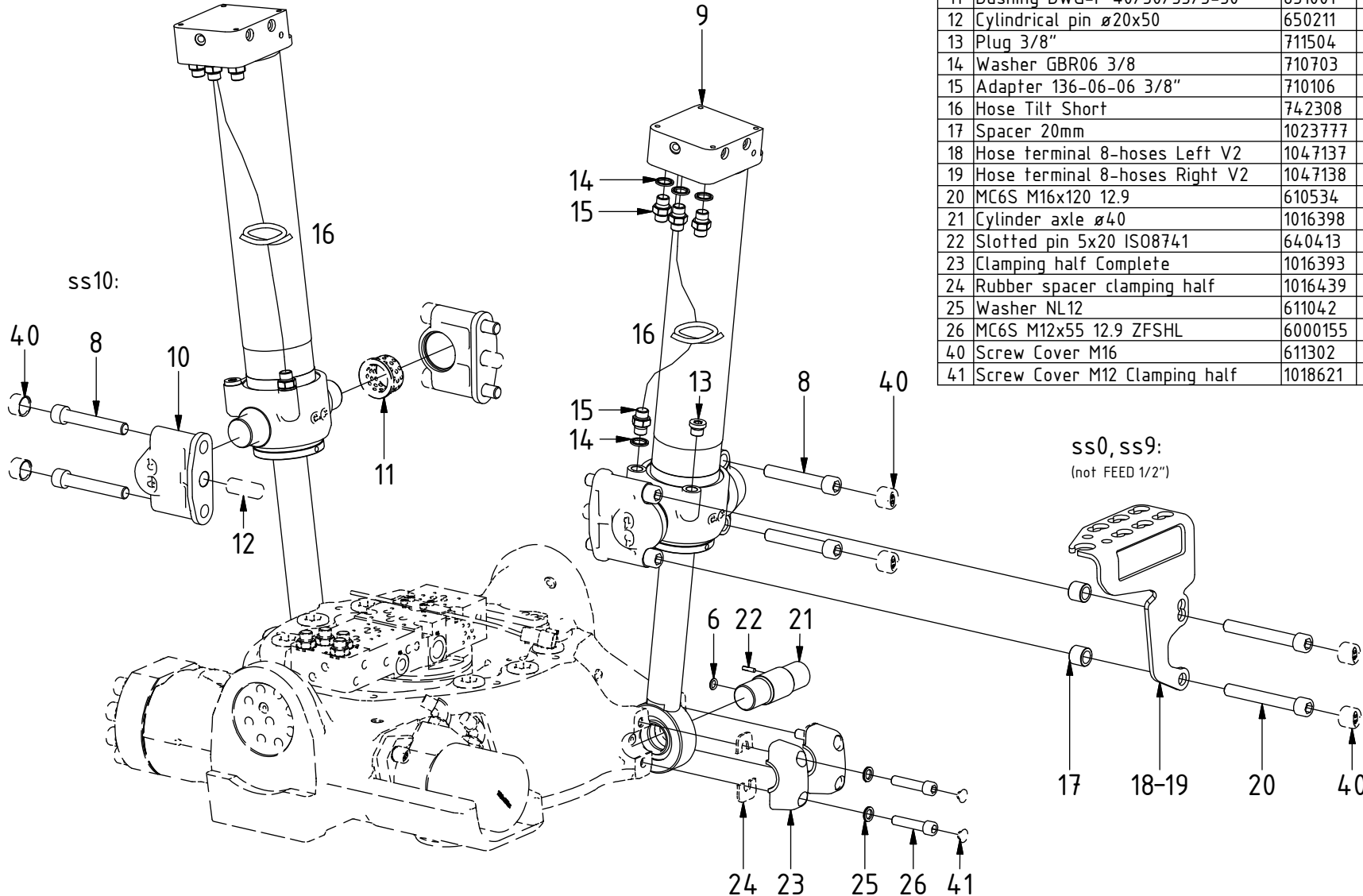
-

EC226 QSM - Std Top part components

POS	DESCRIPTION	PART	QTY	COMMENTS
1	Bushing WB802 100/105 L40	630320	2	(Included in Top part)
2	Shims tilt axle	1011244	1	Use if required
3	Axial washer tilt	1011238	1	
4	Washer NL 8mm	611040	10	QTY: 8 part of Tilt cylinder
5	MC6S 8x40 12.9	610437	2	
6	O-ring 9,92x2,62	710968	4	
7	Tilt axle EC26/EC226	1011240	2	
8	MC6S M16x100 12.9 ZFSHL	6000156	26	QTY depends on config. (22-26) Torque: 333Nm
39	Screw Cover M16 Cast yoke	1004801	18	Part of make up



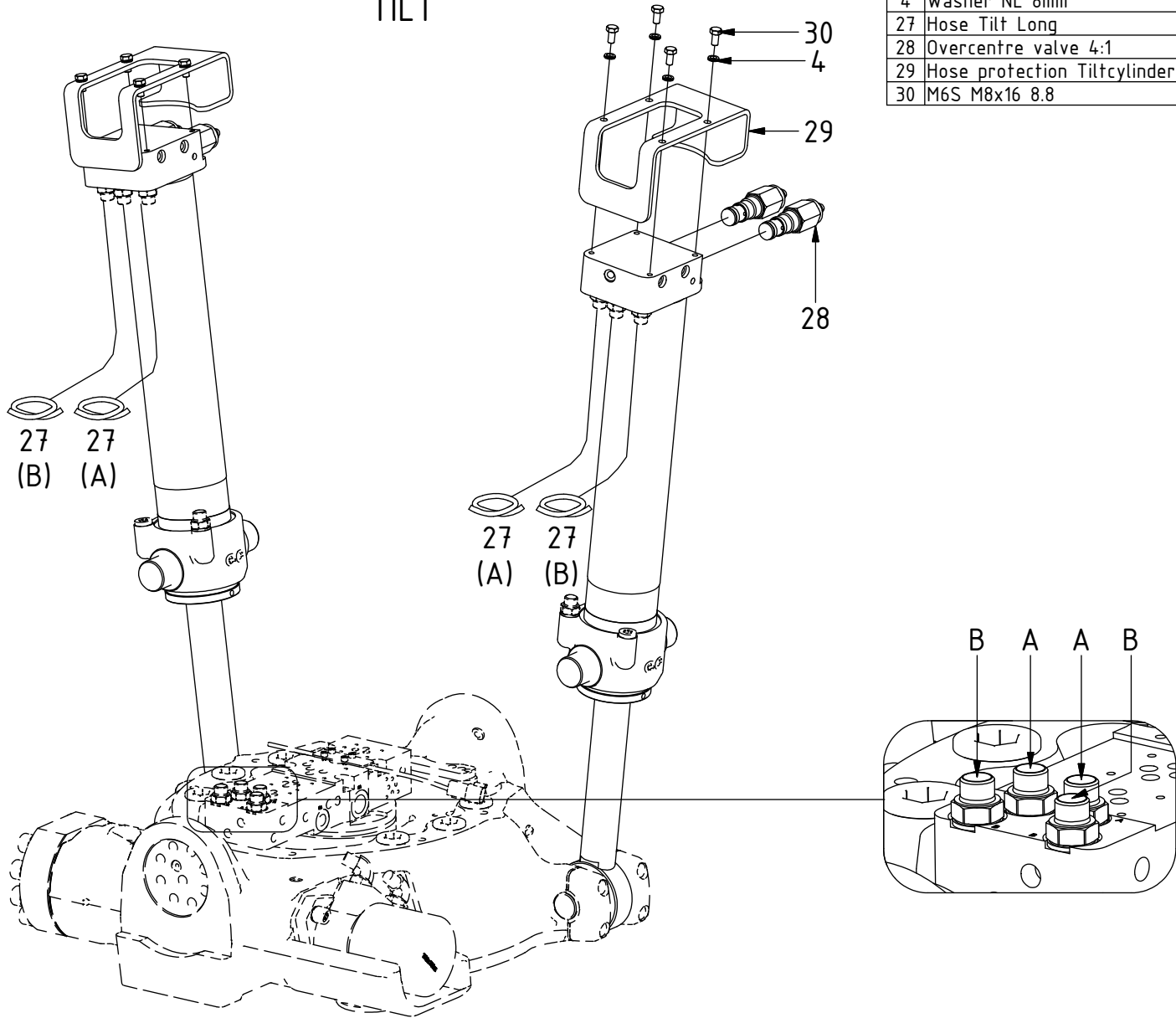
EC226 QSM - Std Top part components



POS	DESCRIPTION	PART	QTY	COMMENTS
6	O-ring 9,92x2,62	710968	4	
8	MC6S M16x100 12.9 ZFSHL	6000156	26	QTY depends on config. (22-26) Torque: 333Nm
9	Tilt cylinder EC226	1019884	2	See "Tilt cylinders"
10	Yoke EC226 complete	1017151	4	(POS.11-12 included)
11	Bushing BWG-F 40/50/55/5-30	631001	4	
12	Cylindrical pin \varnothing 20x50	650211	4	
13	Plug 3/8"	711504	2	
14	Washer GBR06 3/8	710703	8	
15	Adapter 136-06-06 3/8"	710106	8	
16	Hose Tilt Short	742308	2	
17	Spacer 20mm	1023777	4	
18	Hose terminal 8-hoses Left V2	1047137	1	
19	Hose terminal 8-hoses Right V2	1047138	1	
20	MC6S M16x120 12.9	610534	4	Torque: 333Nm
21	Cylinder axle \varnothing 40	1016398	2	
22	Slotted pin 5x20 ISO8741	640413	2	
23	Clamping half Complete	1016393	4	(POS.24 included)
24	Rubber spacer clamping half	1016439	4	
25	Washer NL12	611042	18	
26	MC6S M12x55 12.9 ZFSHL	6000155	8	Torque: 136Nm
40	Screw Cover M16	611302	8	Part of make up
41	Screw Cover M12 Clamping half	1018621	16	Part of make up

EC226 QSM - Std Top part components

TILT



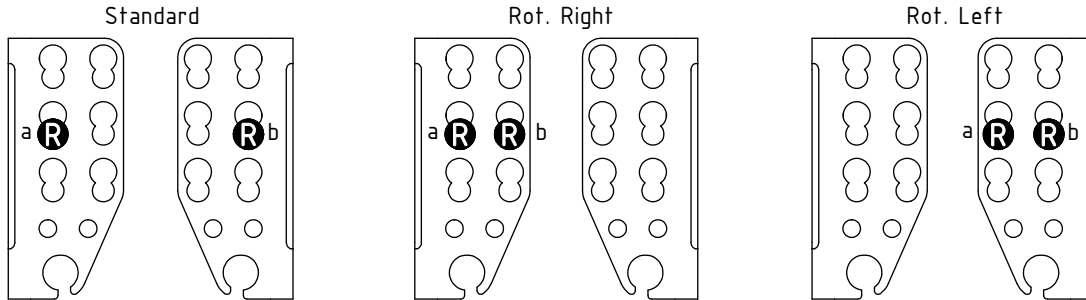
POS	DESCRIPTION	PART	QTY	COMMENTS
4	Washer NL 8mm	611040	10	QTY: 8 part of Tilt cylinder
27	Hose Tilt Long	7000031	4	
28	Overcentre valve 4:1	730277	4	Torque: 60Nm
29	Hose protection Tiltcylinder	1014280	2	
30	M6S M8x16 8.8	610122	8	

EC226 QSM - Std Top part components

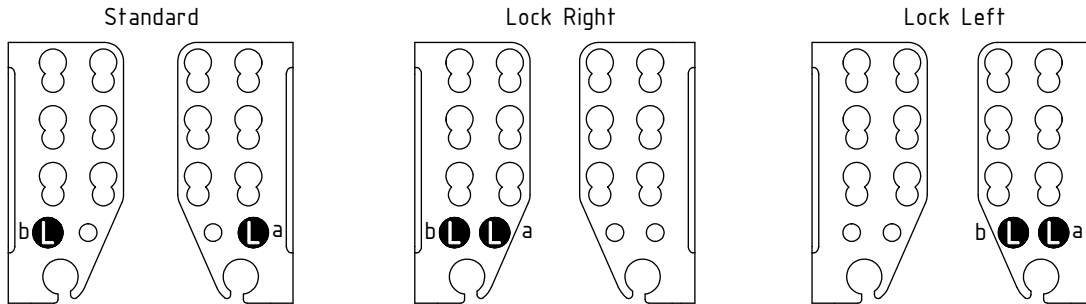
- R** = 31
- L** = 35
- filt** = 31
- G** = 31

FEED 3/4" (Std)

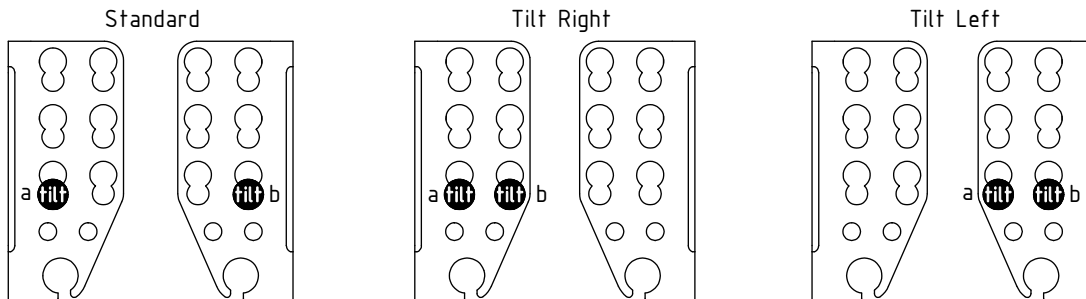
Rotation



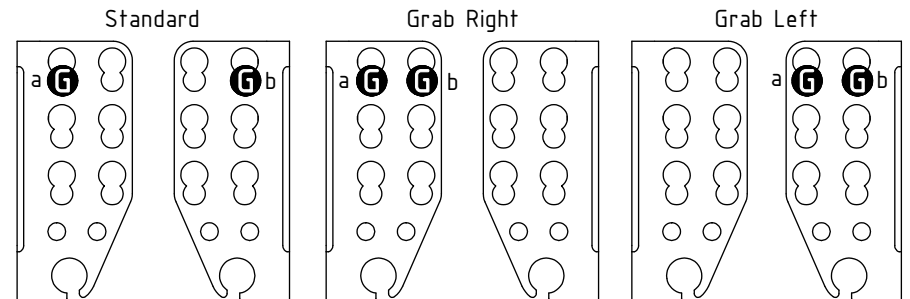
Lock (SQ)



Tilt (ST)



Grab (SG)



POS	DESCRIPTION	PART	QTY	COMMENTS
31	Use washer, adapter, nut: POS.32, 33, 34			
32	Washer NL 16mm	611044	2	
33	Adapter 1260-06-32 (3/8")	710242	2	
34	Counternut 1270-06 (3/8")	710252	2	
35	Use washer, adapter, nut: POS.36, 37, 38			QTY depends on config. (2-4)
36	Washer NL 1/2"	611096	2	
37	Adapter 1260-04-04 (1/4")	710240	2	
38	Counternut 1270-04 (1/4")	710250	2	
	Attach feed hoses from control system			(a & b represents channels on feed block)

POS in order of assembly

EC226 QSM - Std Top part components

TILT

POS	DESCRIPTION	PART	QTY	COMMENTS
16	Hose Tilt Short	742308	2	
27	Hose Tilt Long	700031	4	

POS in order of assembly

Photo needed: Tilt hoses from cylinders to valve block, with A and B -channels visible

FEED
3/4" (Std)

POS	DESCRIPTION	PART	QTY	COMMENTS
	Attach feed hoses from control system			(a & b represents channels on feed block)

Photo needed: R, L, tilt, G seen from left (including cable tie for cable)

Functions according to control system

Feed Left:

Photo needed: option Feed Left

Functions according to control system

Photo needed: R, L, tilt, G seen from right

Functions according to control system

Feed Right:

Photo needed: option Feed Right

Functions according to control system