

COVERSHEET

Planned document changes:

Briefly:

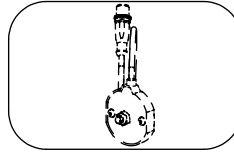
Emphasise importance of the comment on seal POS.1: 'Face groove toward top part'

Document changes:

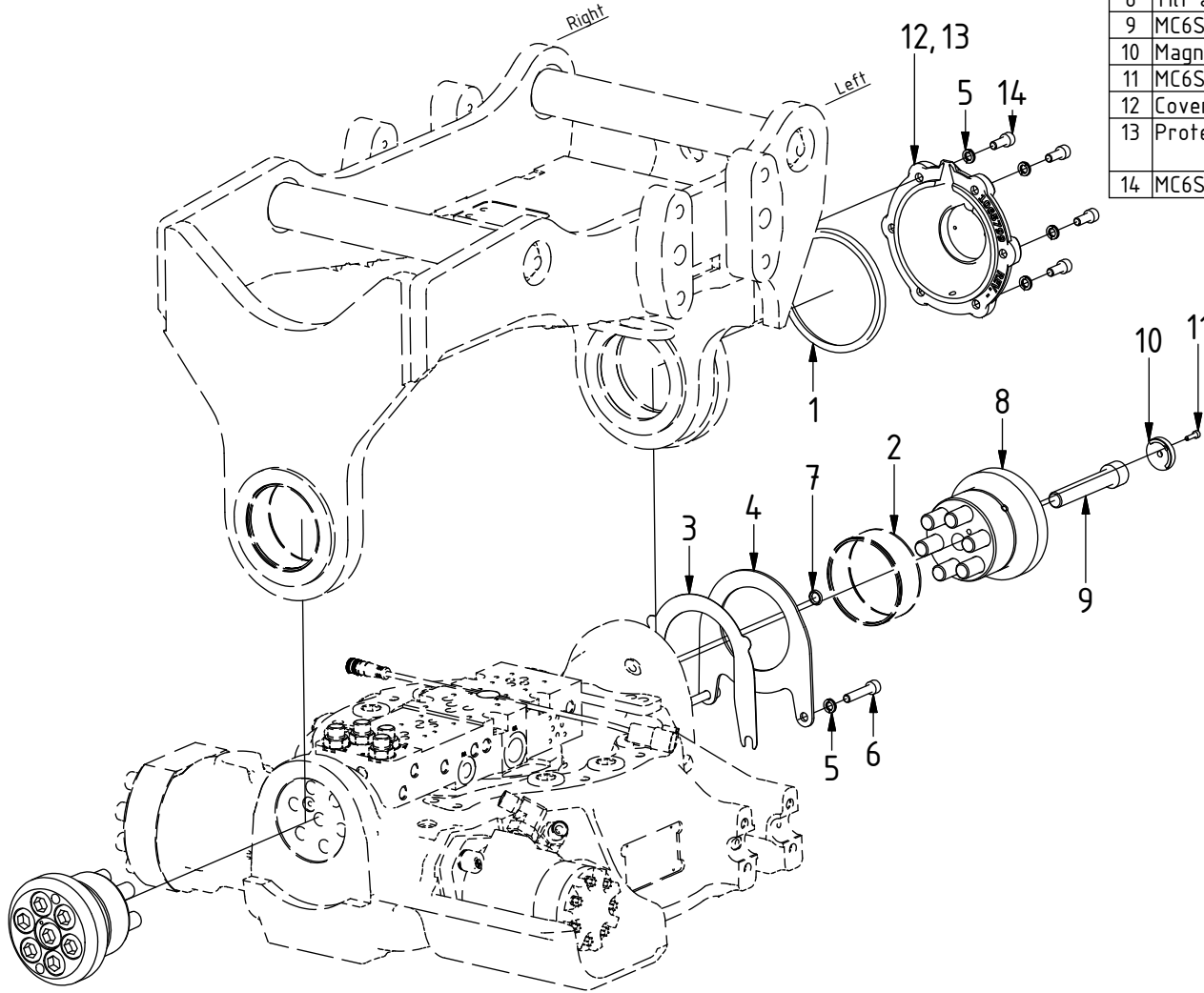
Date:	Change:	Rev. after change:
2022-09-07	Seal for top part clarified.	C
2022-05-24	Details for EC214S added. (EC214 with T/R sensors).	B
2021-01-18	Screws updated to ZFSHL.	A
2020-04-07	New instruction.	-

EC214 QSM - Std Top part components

See instruction,
T/R Sensors

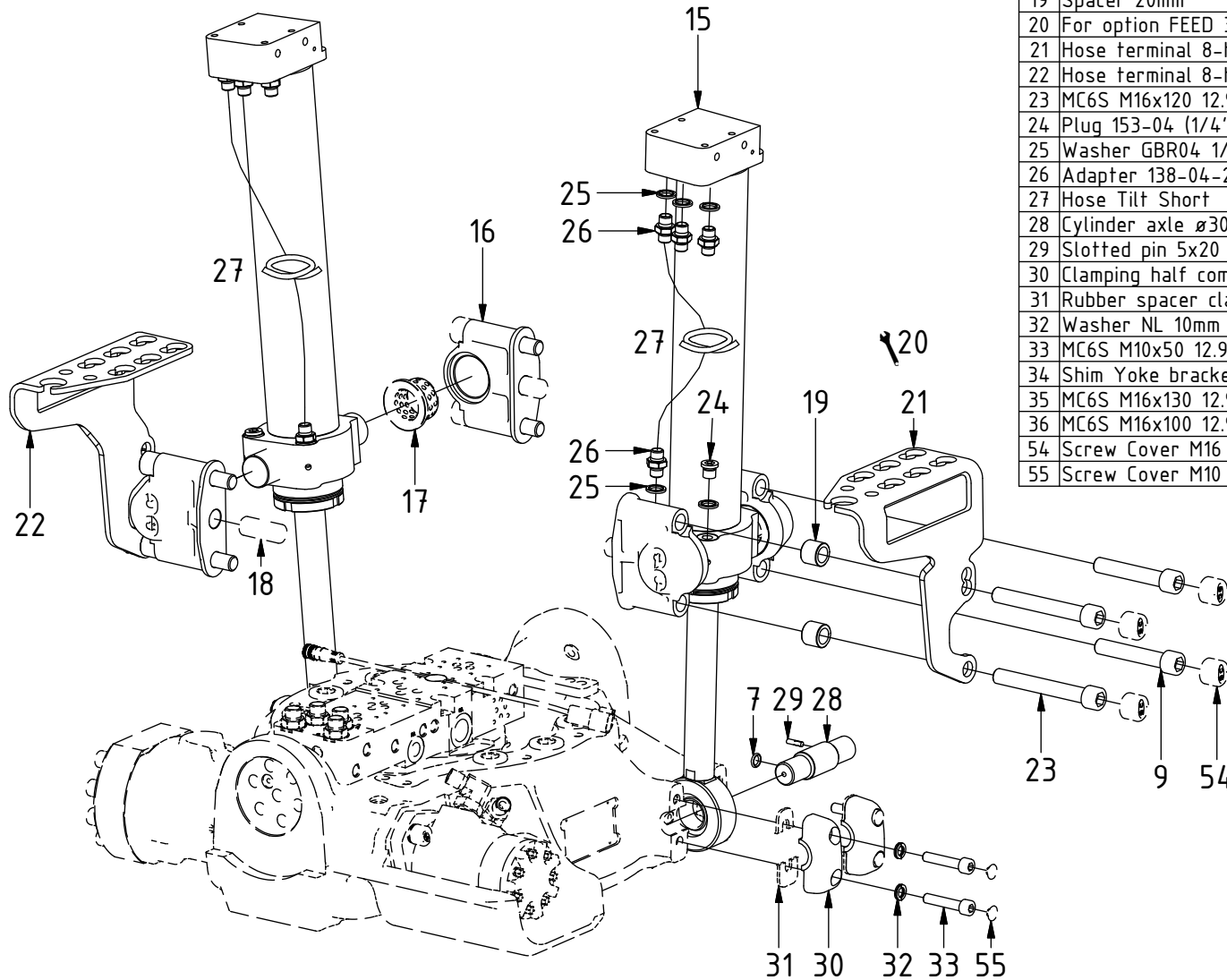


POS	DESCRIPTION	PART	QTY	COMMENTS
1	Seal PAK-110x125x7-L	1064201	1	NB! Face groove toward top part
2	Bushing Ø85/90x35 WB802	630321	2	(Included in Top part)
3	Shims tilt axle	1016420	1	Use if required
4	Axial washer tilt	1016417	1	
5	Washer NL 8mm	611040	10	QTY: 8 part of Tilt cylinder
6	MC6S M8x40 12.9 ZFSHL	6000145	2	
7	O-ring 9,92x2,62	710968	4	
8	Tilt axle EC214/EC219	1064196	2	
9	MC6S M16x90 12.9 ZFSHL	6000151	18	Torque: 333Nm
10	Magnet spacer tilt axle	1064202	1	For EC214S
11	MC6S M4x14 8,8 FZB	6000355	1	For EC214S
12	Cover tiltaxle EC214 Cast	1065799	1	For EC214S
13	Protection plate tiltaxle EC214	1064717	1	For EC214/EC214PS Face the groove downwards
14	MC6S M8x20 12.9 ZFSHL	6000157	6	

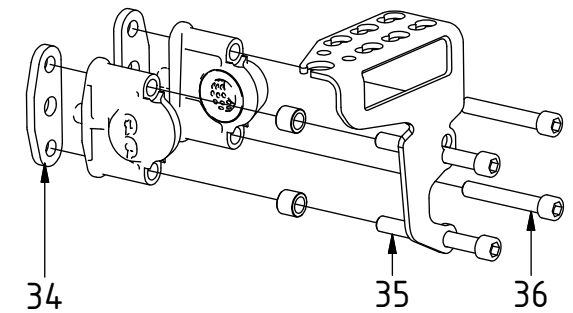


EC214 QSM - Std Top part components

POS	DESCRIPTION	PART	QTY	COMMENTS
7	O-ring 9,92x2,62	710968	4	
9	MC6S M16x90 12.9 ZFSHL	6000151	18	Torque: 333Nm
15	Tilt cylinder EC214	1041414	2	See "Tilt cylinders"
16	Yoke EC214 complete	1023212	4	(POS.17-18 included)
17	Bushing 35/45/55/5x30	631003	4	
18	Cylindrical pin \varnothing 20x50	650211	4	
19	Spacer 20mm	1023777	4	
20	For option FEED 3/4"			See "Top part"
21	Hose terminal 8-hoses Left V2	1047137	1	
22	Hose terminal 8-hoses Right V2	1047138	1	
23	MC6S M16x120 12.9 ZFSHL	6000162	4	Torque: 333Nm
24	Plug 153-04 (1/4")	711505	2	
25	Washer GBR04 1/4	710702	10	
26	Adapter 138-04-29 (1/4")	710135	8	
27	Hose Tilt Short	743002	2	
28	Cylinder axle \varnothing 30	1016458	2	
29	Slotted pin 5x20 ISO8741	640413	2	
30	Clamping half complete	1022942	4	(POS.31 included)
31	Rubber spacer clamping half	1016465	4	
32	Washer NL 10mm	611041	8	
33	MC6S M10x50 12.9 Geomet	611515	8	Torque: 79Nm
34	Shim Yoke bracket	1007041	4	For option Shimmed Tilt cylinder
35	MC6S M16x130 12.9 ZFSHL	6000154	4	Torque: 333Nm
36	MC6S M16x100 12.9 ZFSHL	6000156	4	Torque: 333Nm
54	Screw Cover M16	611302	8	Part of make up
55	Screw Cover M10 Clamping half	1021468	8	Part of make up



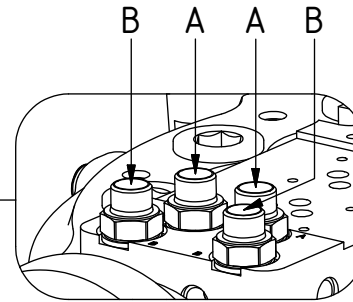
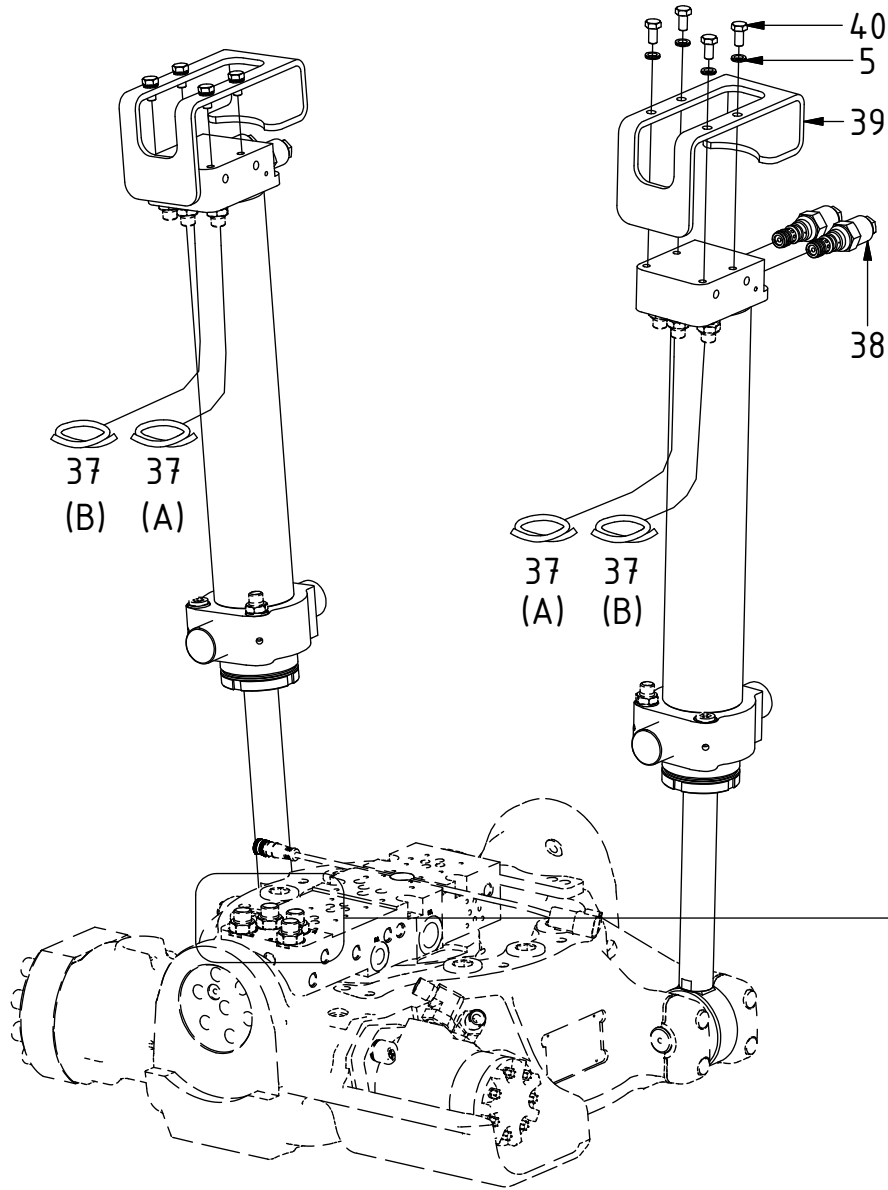
Shimmed Tilt cylinder:



EC214 QSM - Std Top part components

TILT

POS	DESCRIPTION	PART	QTY	COMMENTS
5	Washer NL 8mm	611040	10	QTY: 8 part of Tilt cylinder
37	Hose Tilt Long	743001	4	
38	Overcentre valve 10:1	730269	4	Torque: 45Nm
39	Hose protection Tiltcylinder	1003774	2	
40	M6S M8x16 8.8	610122	8	

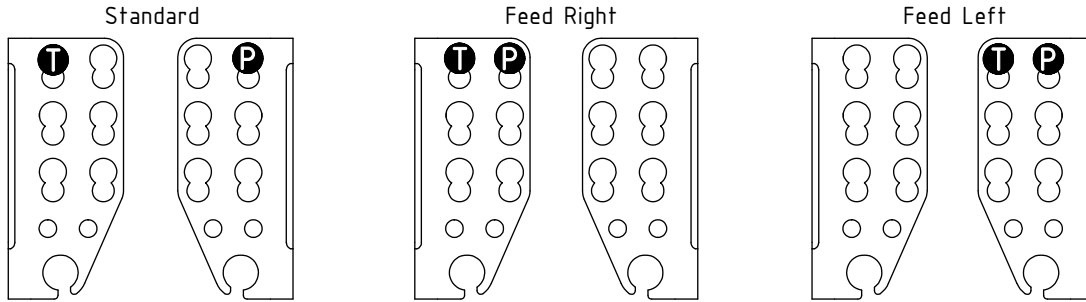


EC214 QSM - Std Top part components

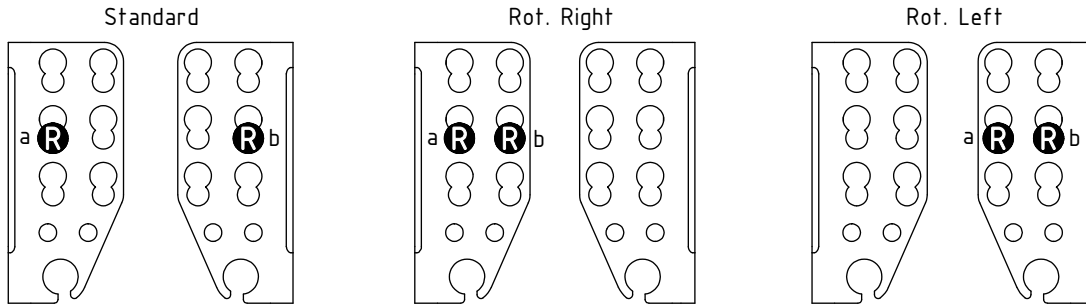
- P** = 41
- T** = 41
- R** = 45
- L** = 49
- filt** = 45

FEED 1/2" (Std)

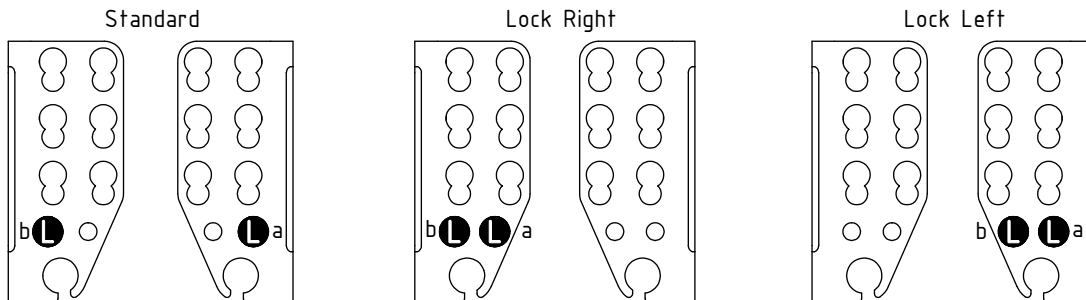
Main Feed



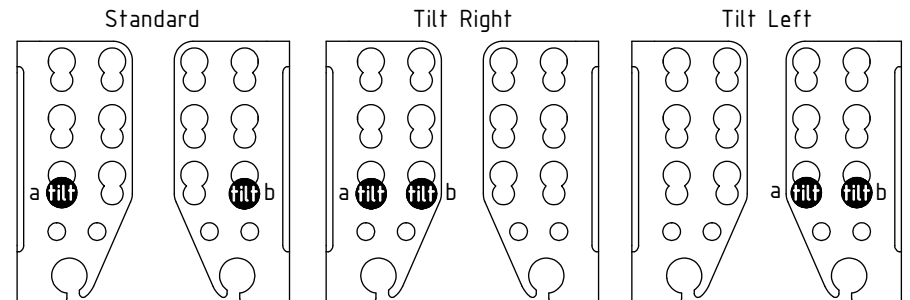
Rotation



Lock (SQ)



Tilt (ST)



POS	DESCRIPTION	PART	QTY	COMMENTS
20	For option FEED 3/4"			See "Top part"
41	Use washer, adapter, nut: POS.42, 43, 44			
42	Washer NL 20mm	611098	2	
43	Adapter 1260-08-08 (1/2")	710244	2	
44	Counternut 1270-08 (1/2")	710254	2	
45	Use washer, adapter, nut: POS.46, 47, 48			QTY depends on config. (2-4)
46	Washer NL 16mm	611044	2	
47	Adapter 1260-06-32 (3/8")	710242	2	
48	Counternut 1270-06 (3/8")	710252	2	
49	Use washer, adapter, nut: POS.50, 51, 52			
50	Washer NL 1/2"	611096	2	
51	Adapter 1260-04-04 (1/4")	710240	2	
52	Counternut 1270-04 (1/4")	710250	2	
	Attach feed hoses from control system			(a & b represents channels on feed block)

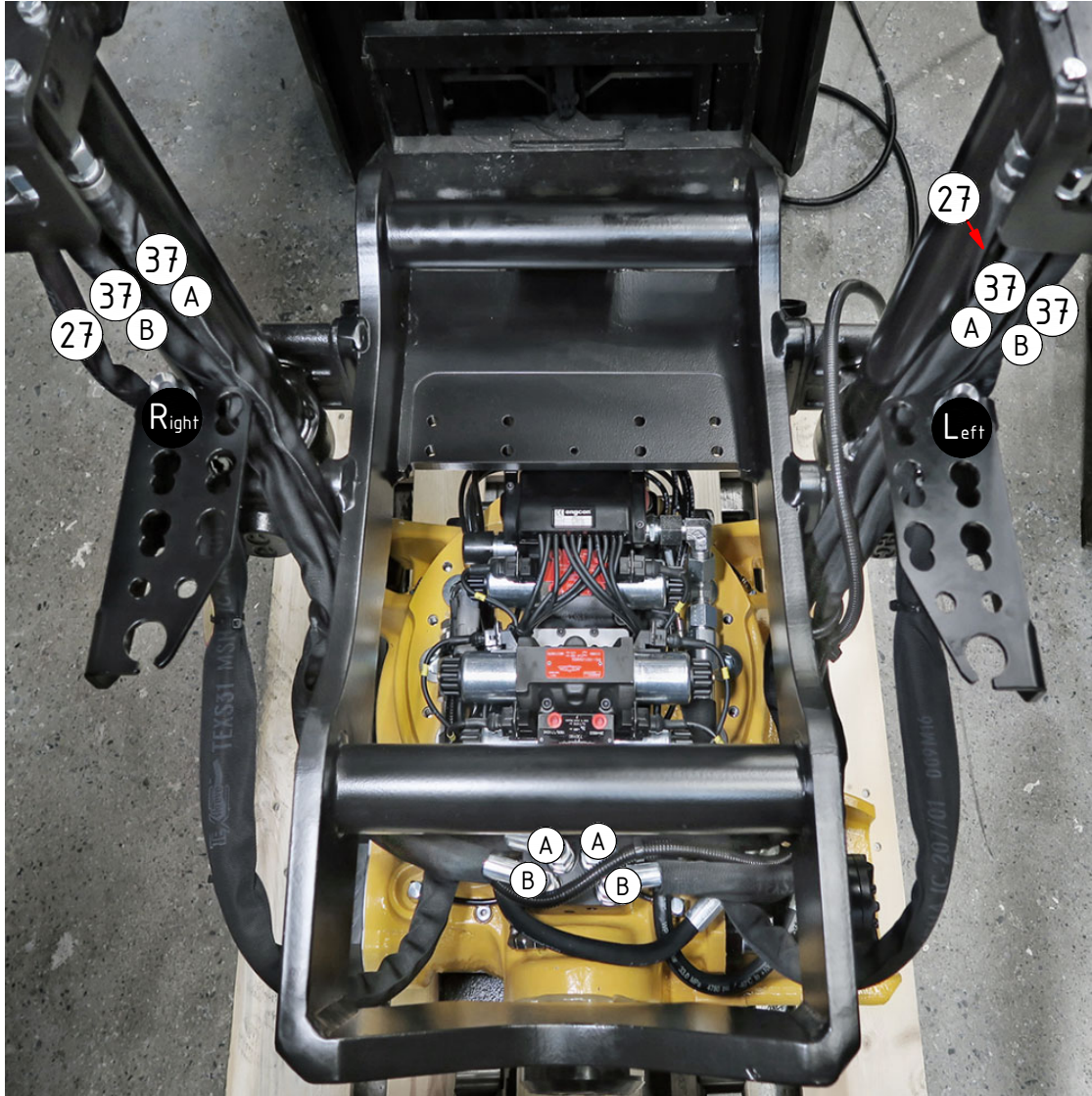
POS in order of assembly

EC214 QSM - Std Top part components

TILT

POS	DESCRIPTION	PART	QTY	COMMENTS
27	Hose Tilt Short	743002	2	
37	Hose Tilt Long	743001	4	

POS in order of assembly



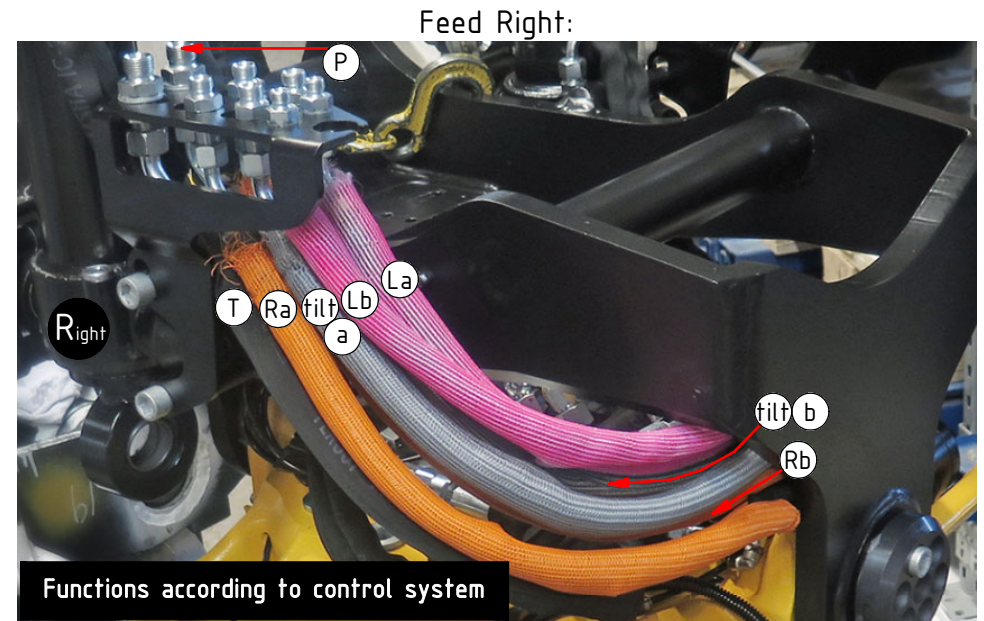
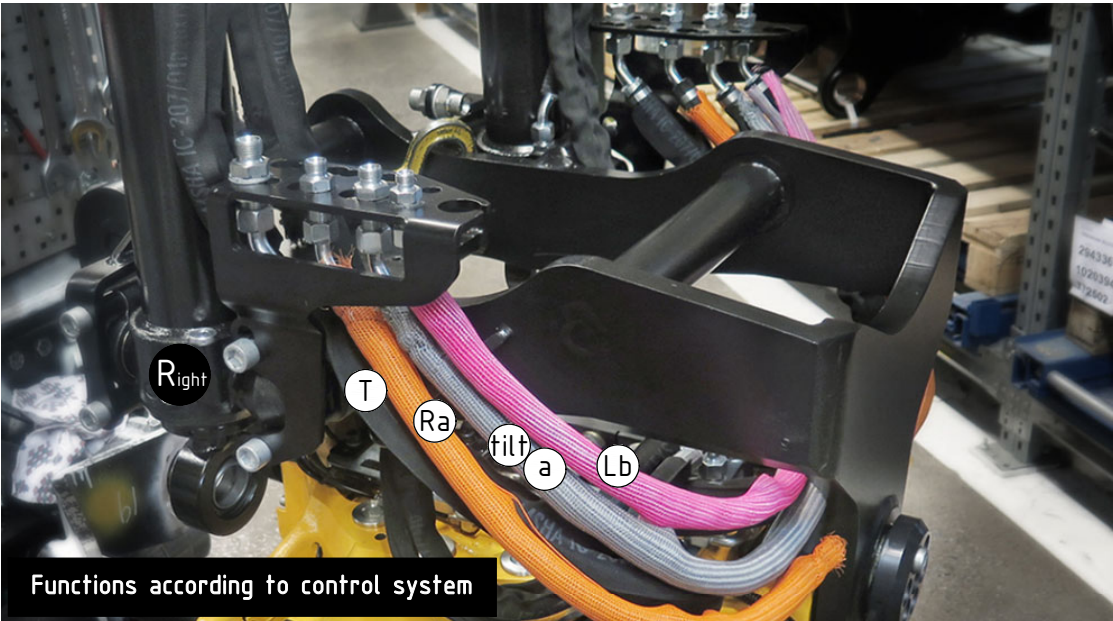
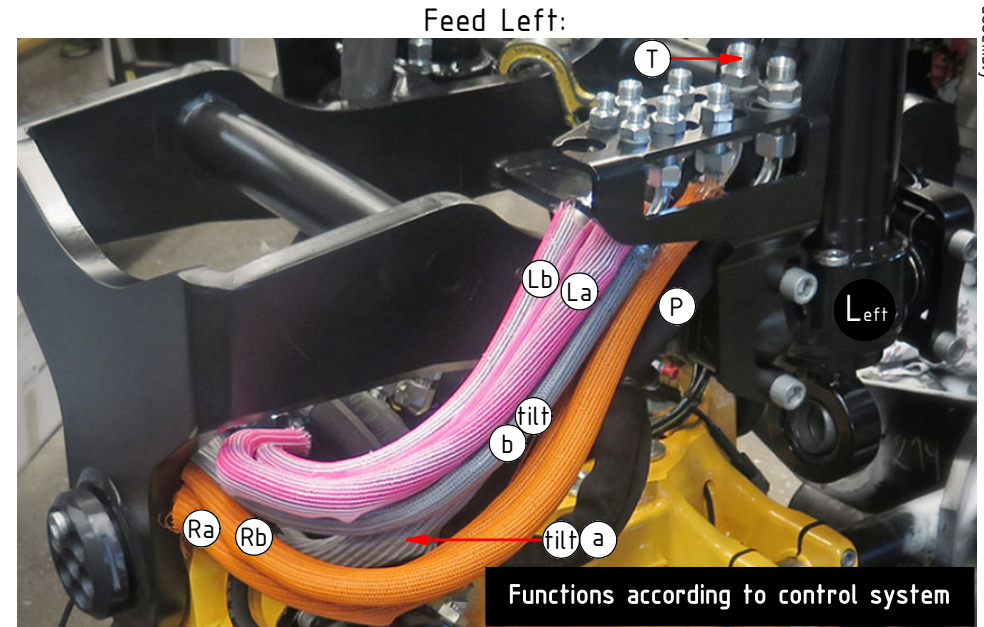
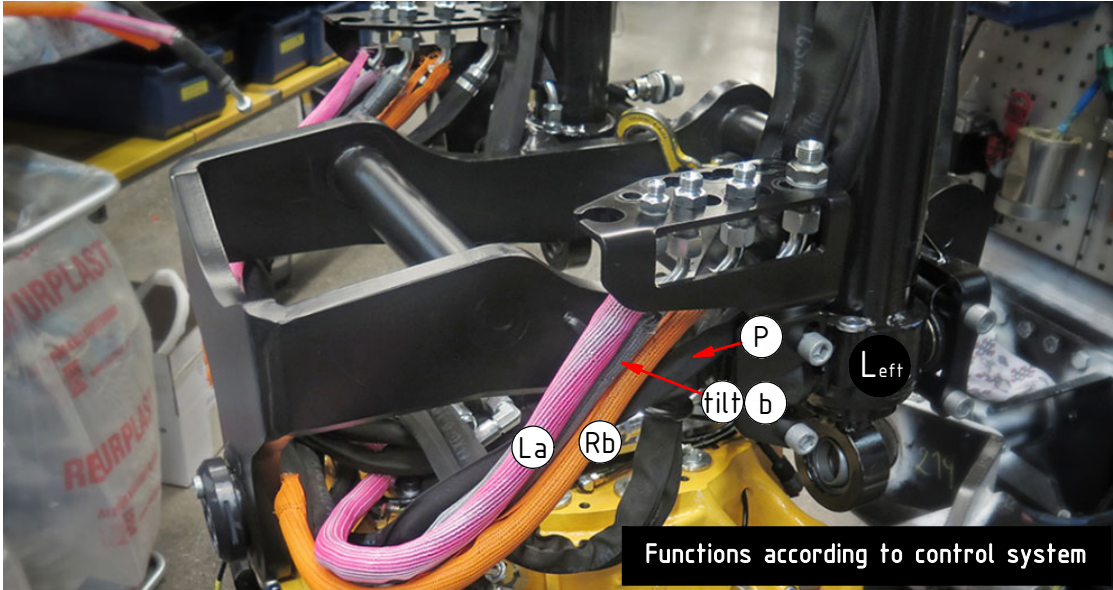
EC214 QSM - Std Top part components

FEED

1/2" (Std)

POS	DESCRIPTION	PART	QTY	COMMENTS
	Attach feed hoses from control system			(a & b represents channels on feed block)

POS in order of assembly



Dashed lines for overview, mounts on other pages/assemblies. indicates instruction. represents hose.