

COVERSHEET

Planned document changes:

Briefly:

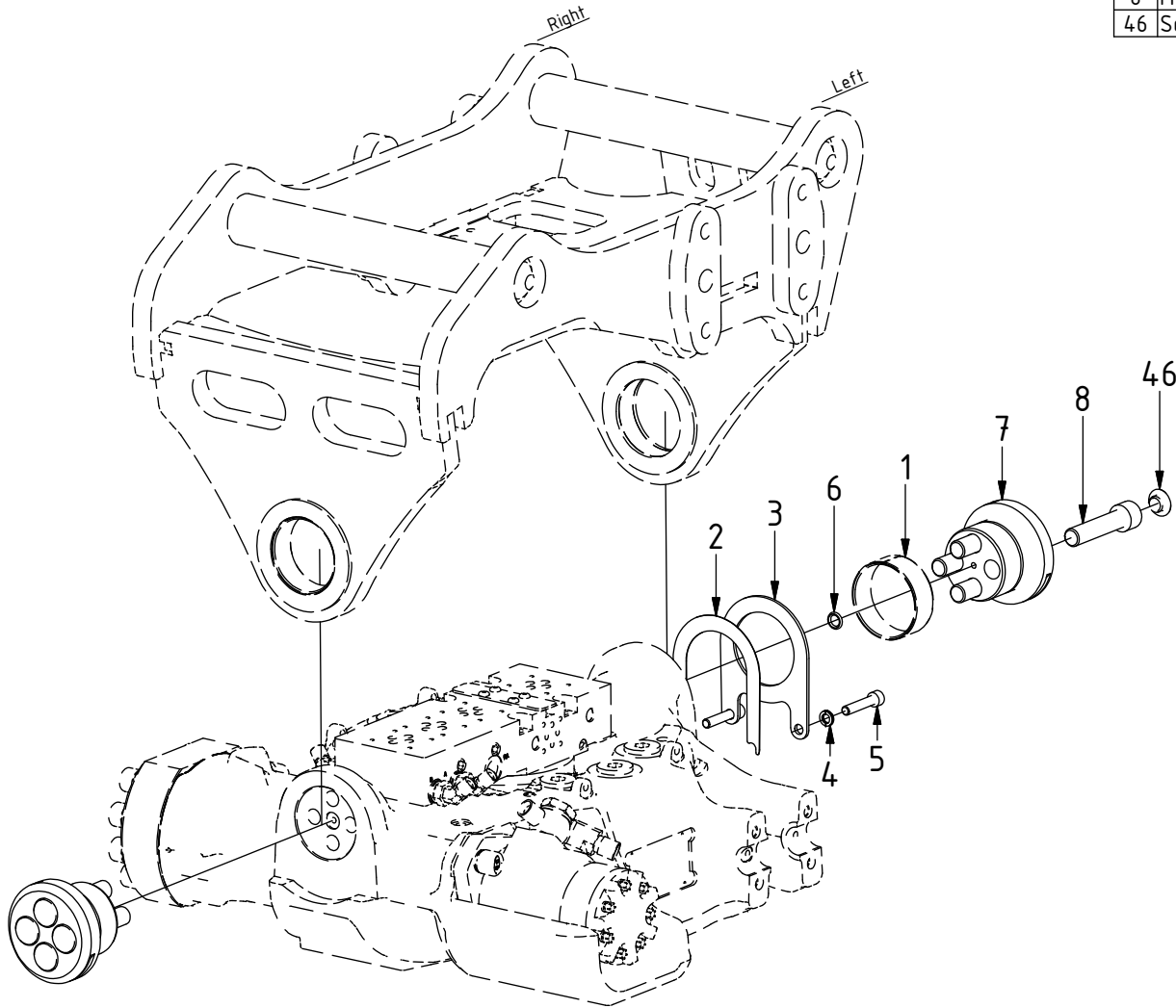
POS.7 replaced by 1062499 (fully backwards compatible).
POS.8 replaced by 6000144 (ZFSHL)

Document changes:

Date:	Change:	Rev. after change:
2021-11-17	References for channels corrected.	D
2021-08-13	Spacers added for Top parts with Inserts.	C
2020-07-06	Reference for EC-Oil added.	B
2020-06-25	Photos added.	A
2020-02-21	New instruction.	-

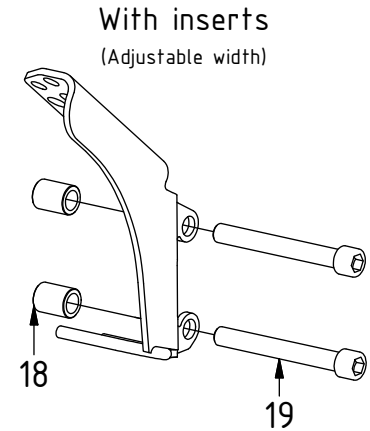
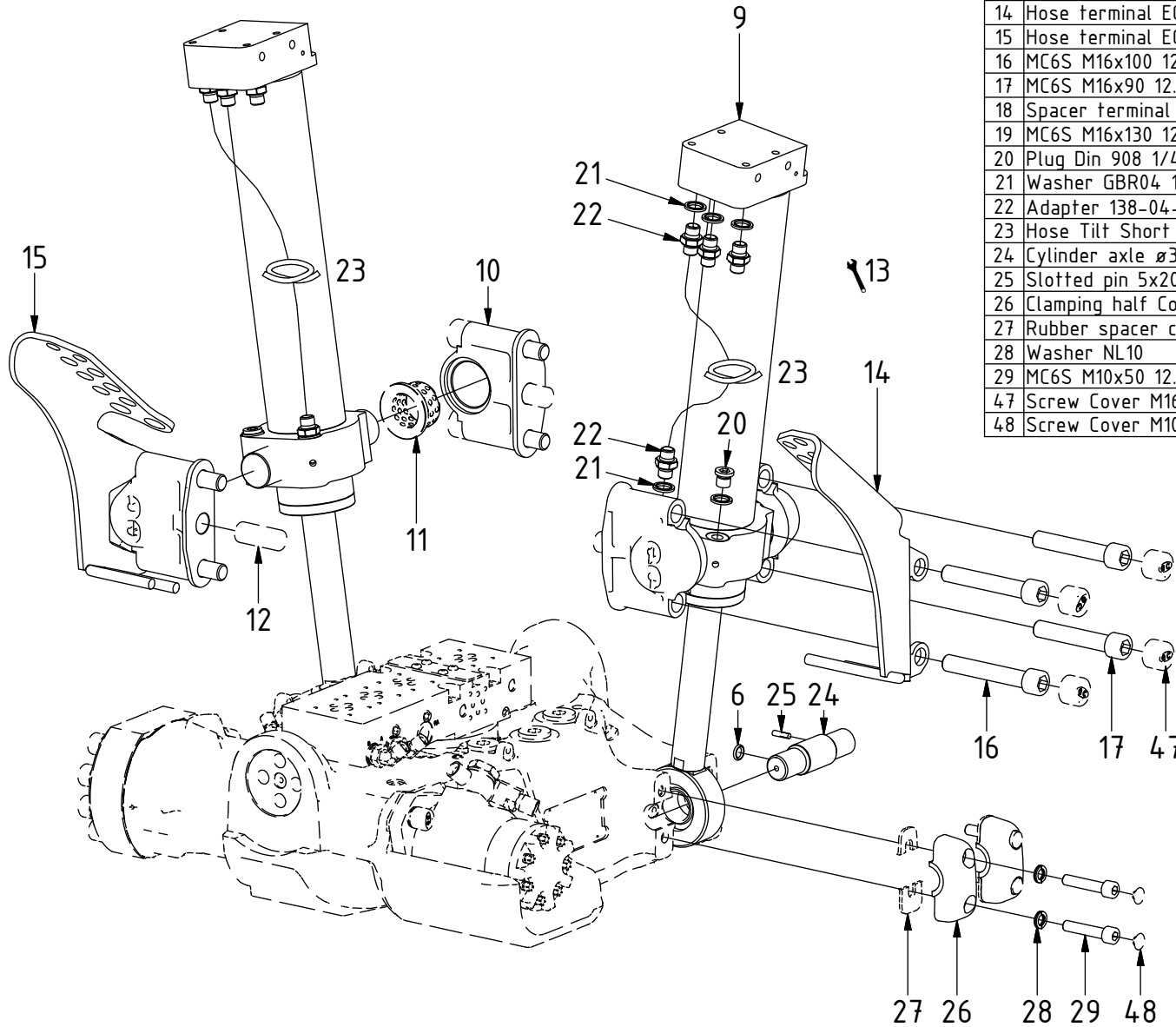
EC209 QSM - Std Top part components

POS	DESCRIPTION	PART	QTY	COMMENTS
1	Bushing $\varnothing 65/70 \times 25$	630322	2	(Included in Top part)
2	Shims tilt axle	1016499	4	Use if required
3	Tilt axial washer	1016461	1	
4	Washer NL 8mm	611040	10	QTY: 8 part of Tilt cylinder
5	MC6S M8x40 12.9 ZFSLH	6000145	2	
6	O-ring 9,92x2,62	710968	4	
7	Tilt axle $\varnothing 65$	1016460	2	
8	MC6S M16x70 12.9	610526	8	Torque: 333Nm
46	Screw Cover M16 Cast yoke	1004801	8	Part of make up



EC209 QSM - Std Top part components

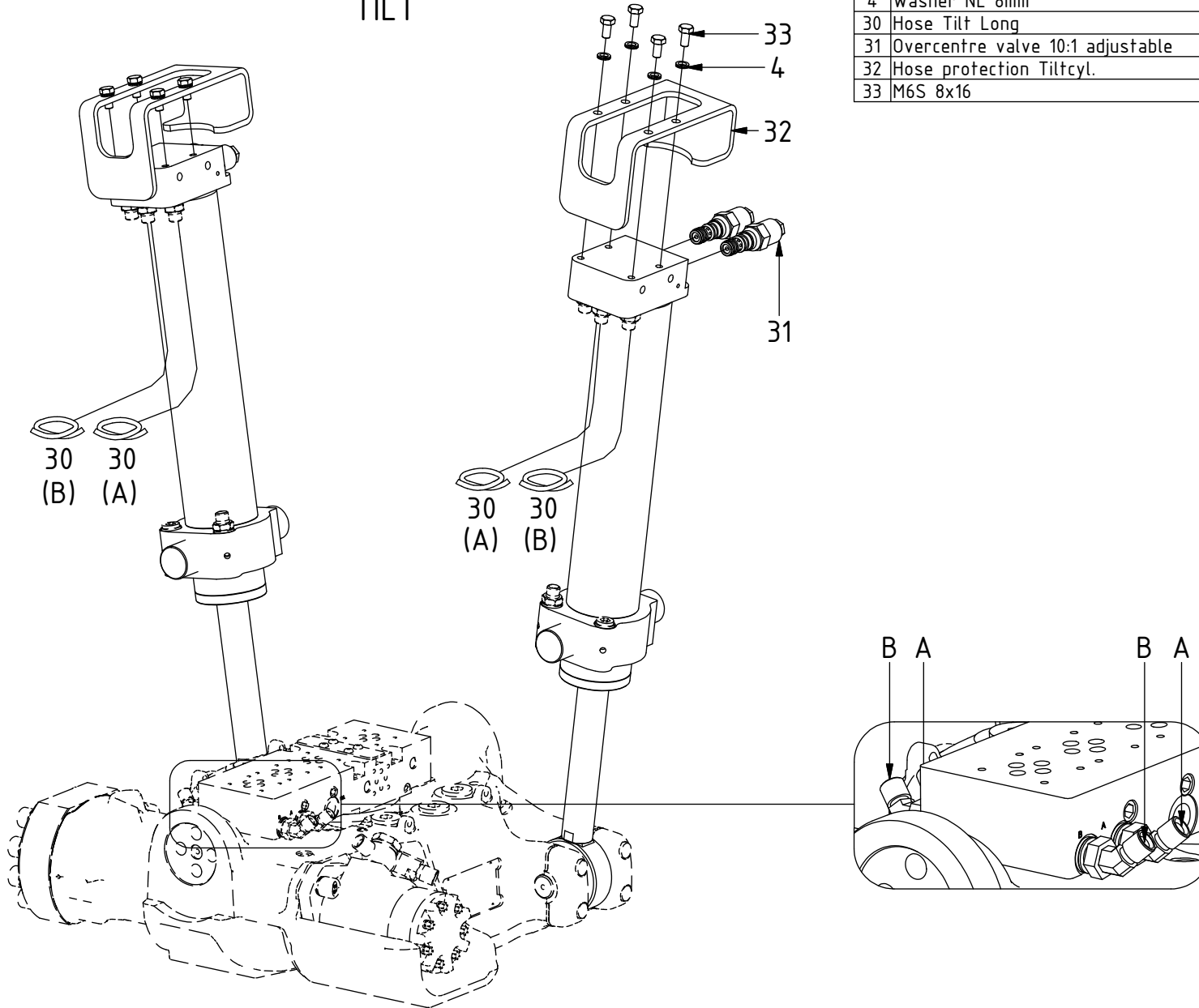
POS	DESCRIPTION	PART	QTY	COMMENTS
6	O-ring 9,92x2,62	710968	4	
9	Tilt cylinder	1041412	2	See "Tilt cylinders"
10	Yoke cast lube free Complete	1023212	4	(POS.11-12 included)
11	Bushing 35/45/55/5x30	631003	4	
12	Cylindrical pin \varnothing 20x50	650211	4	
13	For option EC-Oil (no terminals)			See "Top part" (QS45)
14	Hose terminal EC209 QSM Left	1056614	1	
15	Hose terminal EC209 QSM Right	1056615	1	
16	MC6S M16x100 12.9 ZFSL	6000156	4	Torque: 333Nm
17	MC6S M16x90 12.9 ZFSL	6000151	4	Torque: 333Nm
18	Spacer terminal 32mm	1028040	4	
19	MC6S M16x130 12.9 ZFSL	6000154	4	
20	Plug Din 908 1/4"	711505	2	
21	Washer GBR04 1/4	710702	10	
22	Adapter 138-04-29 (1/4")	710135	8	
23	Hose Tilt Short	742816	2	
24	Cylinder axle \varnothing 30	1016458	2	
25	Slotted pin 5x20	64.04.13	2	
26	Clamping half Complete	1022942	4	(POS.27 included)
27	Rubber spacer clamping half	1016465	4	
28	Washer NL10	611041	8	
29	MC6S M10x50 12.9 Geomet	611515	8	
47	Screw Cover M16	611302	8	Part of make up
48	Screw Cover M10 Clamping half	1021468	8	Part of make up



EC209 QSM - Std Top part components

TILT

POS	DESCRIPTION	PART	QTY	COMMENTS
4	Washer NL 8mm	611040	10	QTY: 8 part of Tilt cylinder
30	Hose Tilt Long	7001308	4	
31	Overcentre valve 10:1 adjustable	730269	4	Torque: 45Nm
32	Hose protection Tiltcyl.	1003774	2	
33	M6S 8x16	610122	8	

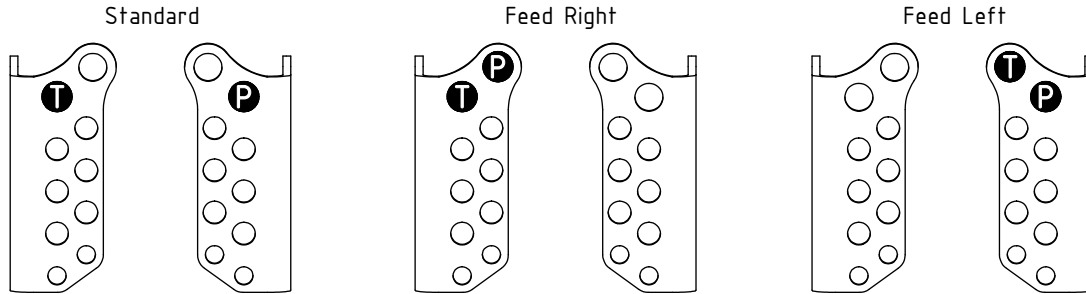


EC209 QSM - Std Top part components

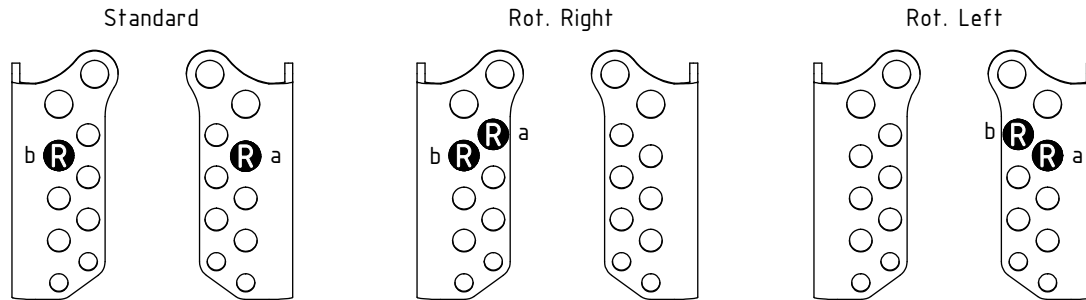
- P** = 34
- T** = 34
- R** = 38
- L** = 42

FEED

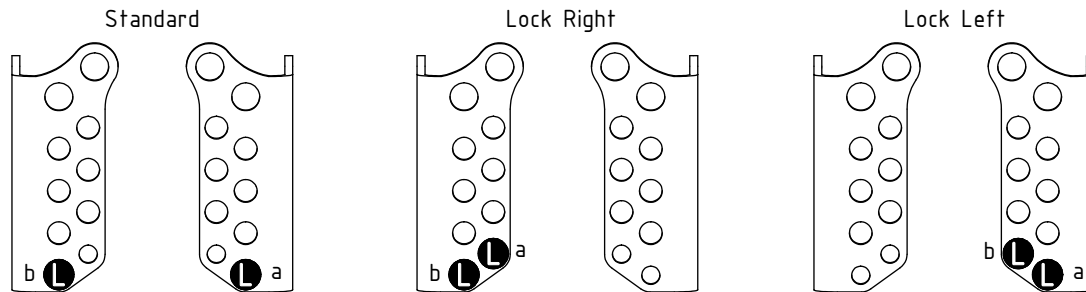
Main Feed



Rotation



Lock (SQ)



POS	DESCRIPTION	PART	QTY	COMMENTS
13	For option EC-Oil (no terminals)			See "Top part" (QS45)
34	Use washer, adapter, nut: POS.35, 36, 37			
35	Washer NL 20mm	611098	2	
36	Adapter 1260-08-08 (1/2")	710244	2	
37	Counternut 1270-08 (1/2")	710254	2	
38	Use washer, adapter, nut: POS.39, 40, 41			
39	Washer NL 16mm	611044	2	
40	Adapter 1260-06-32 (3/8")	710242	2	
41	Counternut 1270-06 (3/8")	710252	2	
42	Use washer, adapter, nut: POS.43, 44, 45			
43	Washer NL 1/2"	611096	2	
44	Adapter 1260-04-04 (1/4")	710240	2	
45	Counternut 1270-04 (1/4")	710250	2	
	Attach feed hoses from control system			(a & b represents channels on feed block)

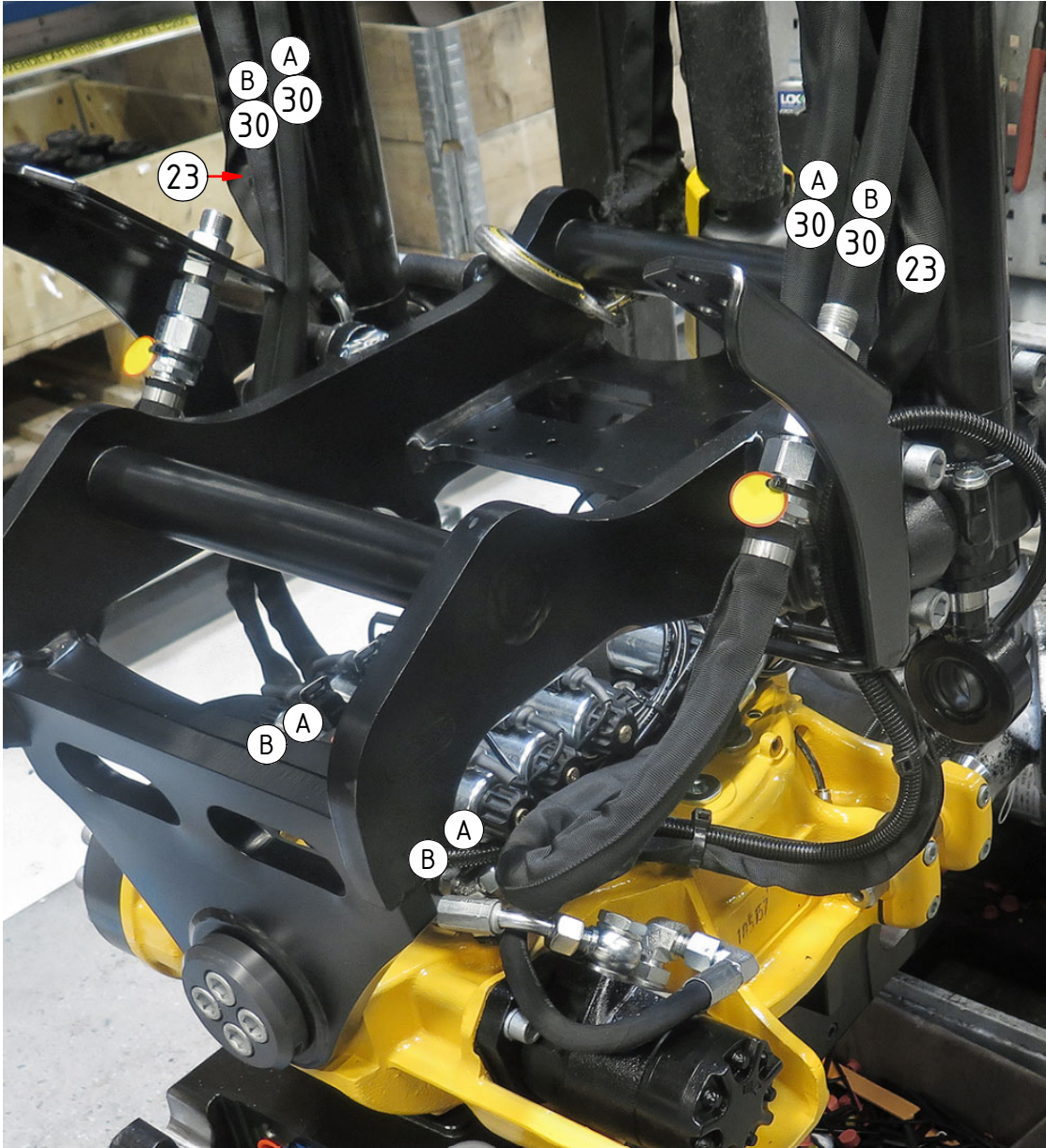
POS in order of assembly

EC209 QSM - Std Top part components

TILT

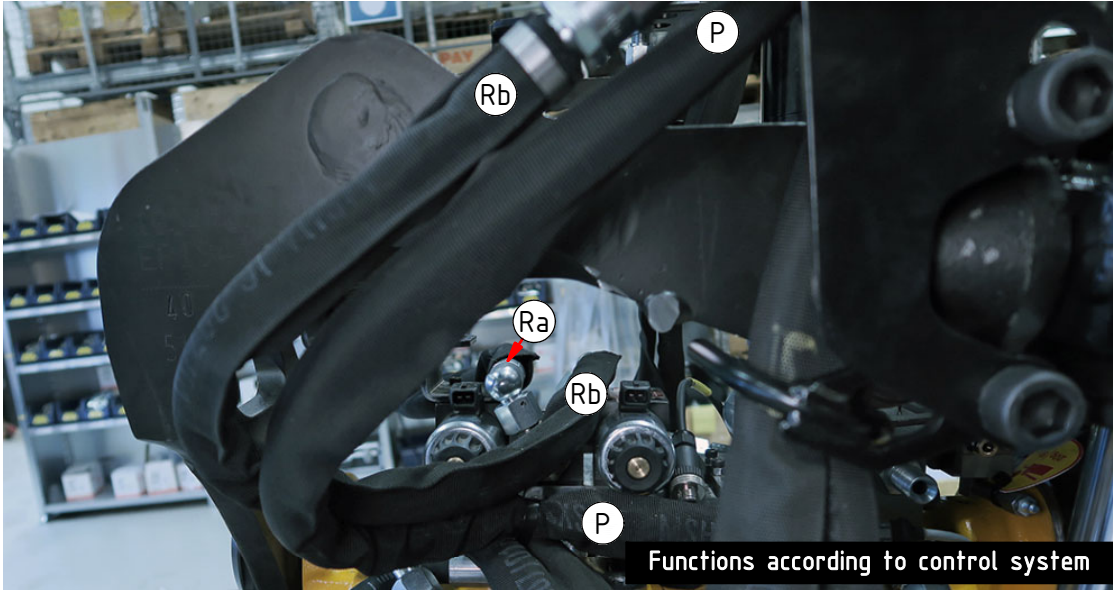
POS	DESCRIPTION	PART	QTY	COMMENTS
23	Hose Tilt Short	742816	2	
30	Hose Tilt Long	7001308	4	

POS in order of assembly



FEED

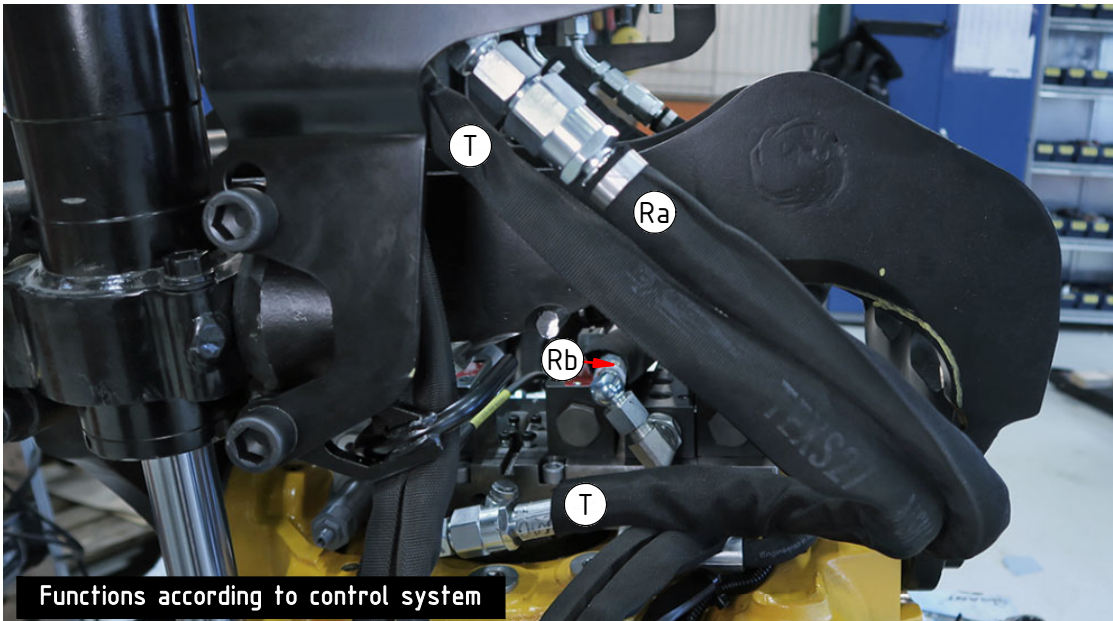
POS	DESCRIPTION	PART	QTY	COMMENTS
13	For option EC-Oil (no terminals)			See "Top part" (QS45)
	Attach feed hoses from control system			(a & b represents channels on feed block)



Feed Left:

Photo needed: option Feed Left

Functions according to control system



Feed Right:

Photo needed: option Feed Right

Functions according to control system