

COVERSHEET

Planned document changes:

Briefly:

POS.21: Part no 742816.
Replace POS.5 with 6000145.

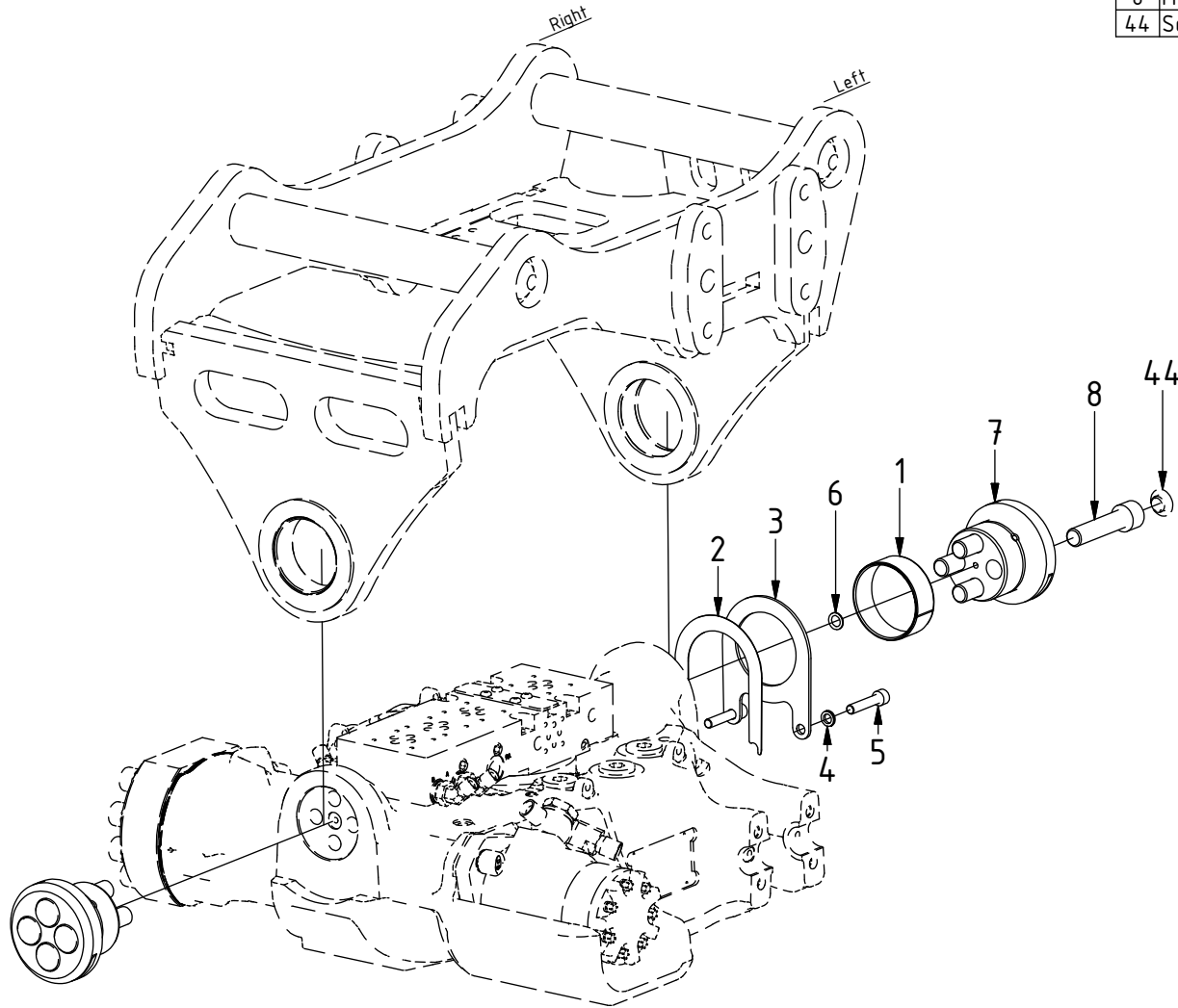
For Top parts with Inserts:
Spacer 32mm & Screw MC6S 16x130 against terminals.

Document changes:

Date:	Change:	Rev. after change:
2020-07-06	Reference for EC-Oil added.	B
2020-06-25	Photos added.	A
2020-02-21	New instruction.	-

EC209 QSM - Std Top part components

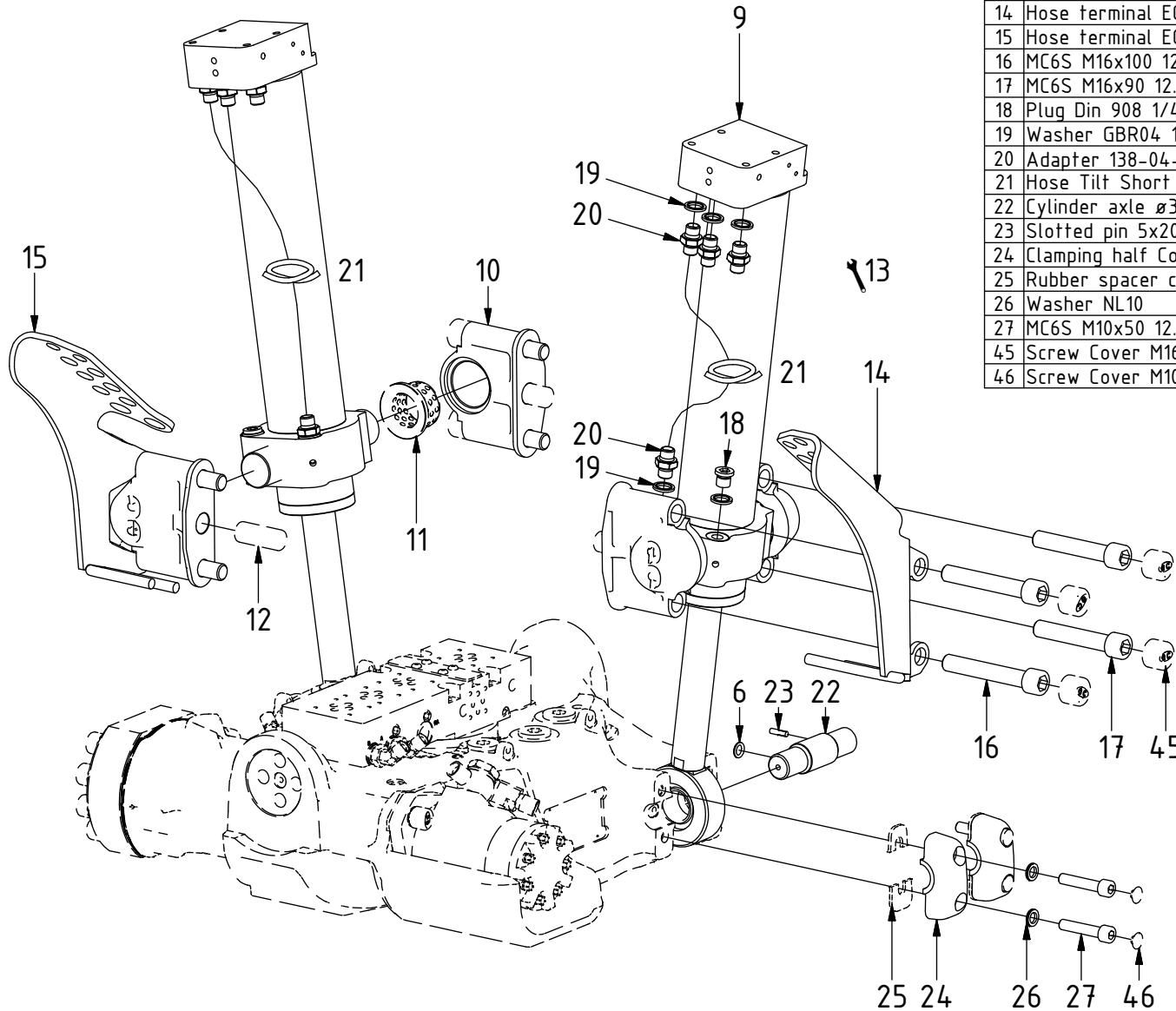
POS	DESCRIPTION	PART	QTY	COMMENTS
1	Bushing $\varnothing 65/70 \times 25$	630322	2	(Included in Top part)
2	Shims tilt axle	1016499	4	Use if required
3	Tilt axial washer	1016461	1	
4	Washer NL8	611040	10	QTY: 8 part of Tilt cylinder
5	MC6S 8x40	610437	2	
6	O-ring 9,92x2,62	710968	4	
7	Tilt axle $\varnothing 65$	1016460	2	
8	MC6S 16x70	610526	8	Torque: 333Nm
44	Screw Cover M16 Cast yoke	1004801	8	Part of make up



EC209 QSM - Std Top part components

POS in order of assembly

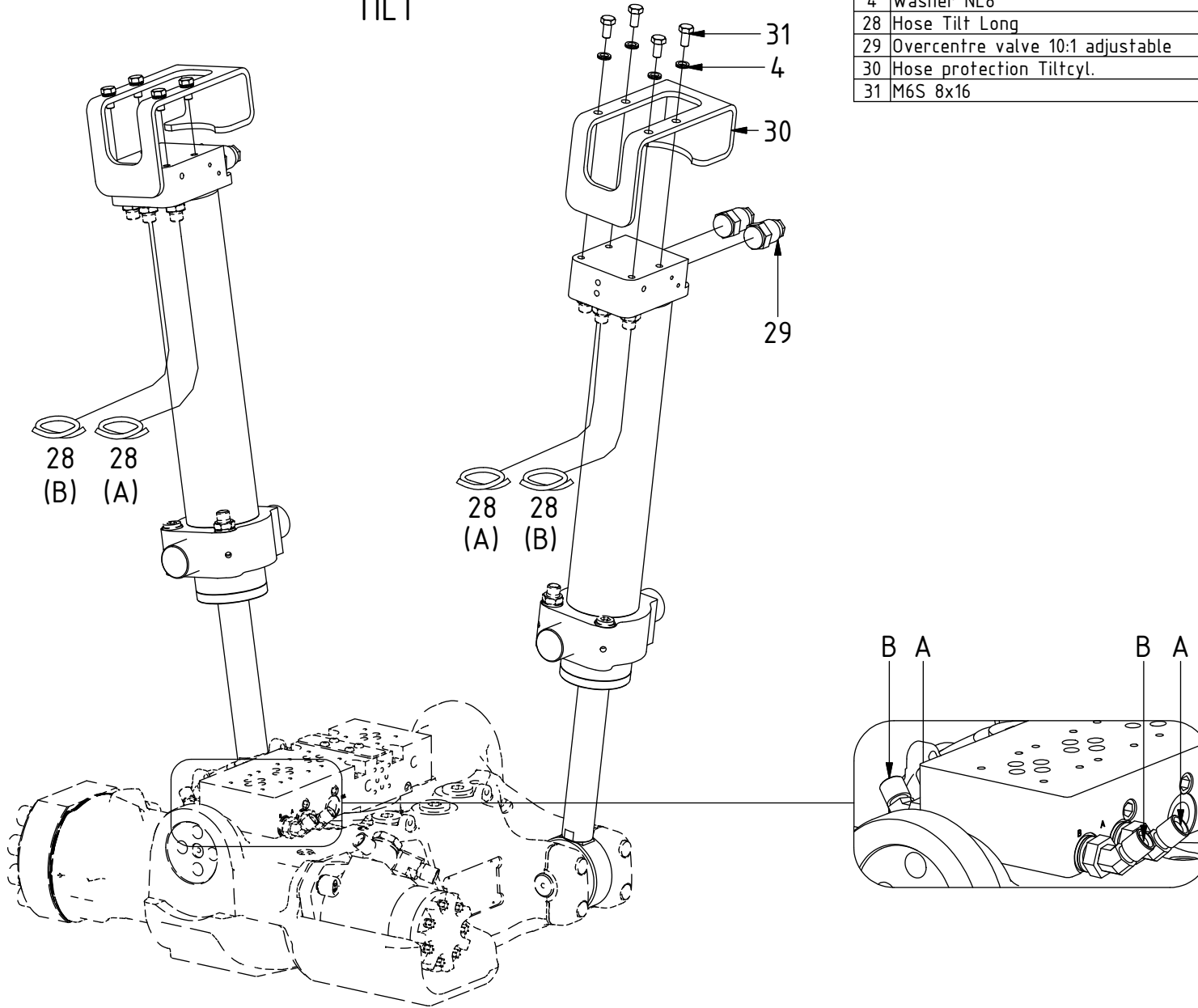
POS	DESCRIPTION	PART	QTY	COMMENTS
6	O-ring 9,92x2,62	710968	4	
9	Tilt cylinder	1041412	2	See "Tilt cylinders"
10	Yoke cast lube free Complete	1023212	4	(POS.11-12 included)
11	Bushing 35/45/55/5x30	631003	4	
12	Cylindrical pin \varnothing 20x50	650211	4	
13	For option EC-Oil (no terminals)			See "Top part" (QS45)
14	Hose terminal EC209 QSM Left	1056614	1	
15	Hose terminal EC209 QSM Right	1056615	1	
16	MC6S M16x100 12.9	610532	4	Torque: 333Nm
17	MC6S M16x90 12.9	610530	4	Torque: 333Nm
18	Plug Din 908 1/4"	711505	2	
19	Washer GBR04 1/4	710702	10	
20	Adapter 138-04-29 (1/4")	710135	8	
21	Hose Tilt Short		2	
22	Cylinder axle \varnothing 30	1016458	2	
23	Slotted pin 5x20	640413	2	
24	Clamping half Complete	1022942	4	(POS.25 included)
25	Rubber spacer clamping half	1016465	4	
26	Washer NL10	611041	8	
27	MC6S M10x50 12.9 Geomet	611515	8	
45	Screw Cover M16	611302	8	Part of make up
46	Screw Cover M10 Clamping half	1021468	8	Part of make up



EC209 QSM - Std Top part components

TILT

POS	DESCRIPTION	PART	QTY	COMMENTS
4	Washer NL8	611040	10	QTY: 8 part of Tilt cylinder
28	Hose Tilt Long	7001308	4	
29	Overcentre valve 10:1 adjustable	730269	4	Torque: 45Nm
30	Hose protection Tiltcyl.	1003774	2	
31	M6S 8x16	610122	8	

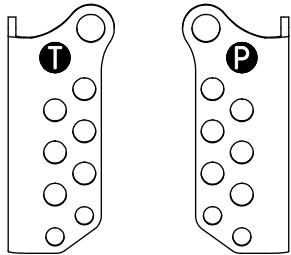


- P** = 32
- T** = 32
- R** = 36
- L** = 40

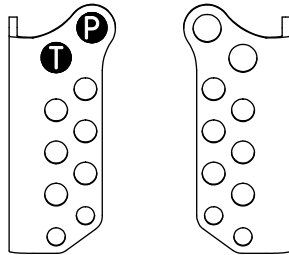
FEED

Main Feed

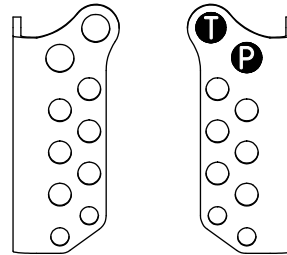
Standard



Feed Right

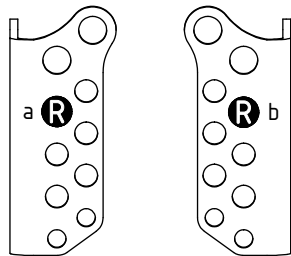


Feed Left

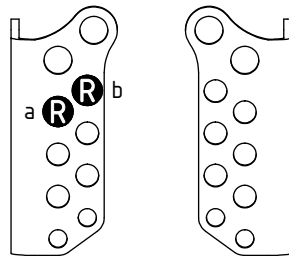


Rotation

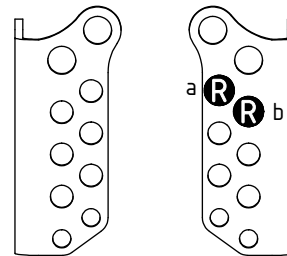
Standard



Rot. Right

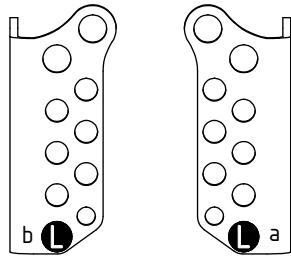


Rot. Left

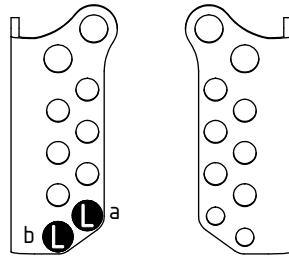


Lock (SQ)

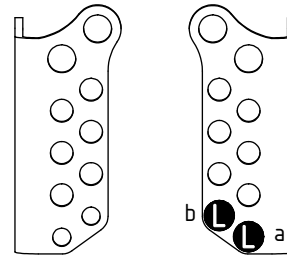
Standard



Lock Right



Lock Left



POS	DESCRIPTION	PART	QTY	COMMENTS
13	For option EC-Oil (no terminals)			See "Top part" (QS45)
32	Use washer, adapter, nut: POS.33, 34, 35			
33	Washer NL 20mm	611098	2	
34	Adapter 1260-08-08 (1/2")	710244	2	
35	Counternut 1270-08 (1/2")	710254	2	
36	Use washer, adapter, nut: POS.37, 38, 39			
37	Washer NL 16mm	611044	2	
38	Adapter 1260-06-32 (3/8")	710242	2	
39	Counternut 1270-06 (3/8")	710252	2	
40	Use washer, adapter, nut: POS.41, 42, 43			
41	Washer NL 1/2"	611096	2	
42	Adapter 1260-04-04 (1/4")	710240	2	
43	Counternut 1270-04 (1/4")	710250	2	
	Attach feed hoses from control system			(a & b represents channels on feed block)

POS in order of assembly

EC209 QSM - Std Top part components

TILT

POS	DESCRIPTION	PART	QTY	COMMENTS
21	Hose Tilt Short		2	
28	Hose Tilt Long	7001308	4	

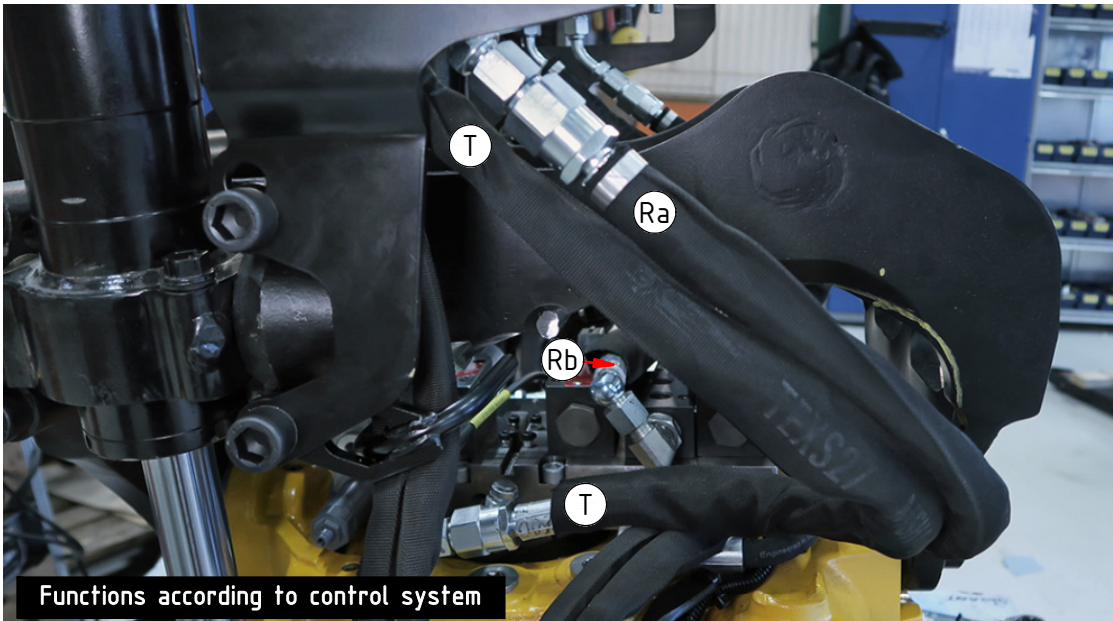
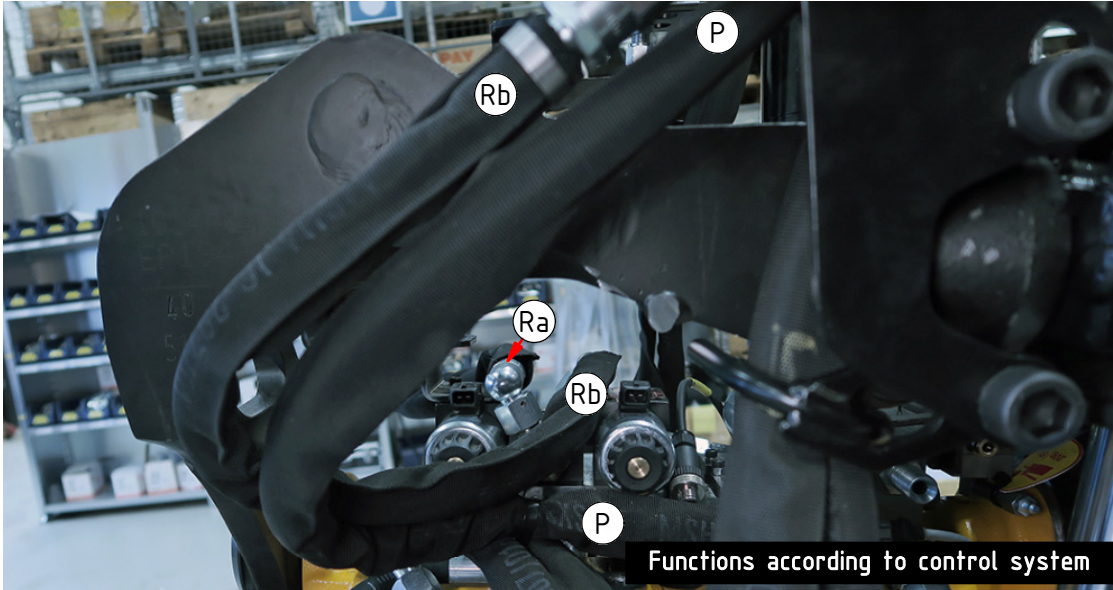
POS in order of assembly



Dashed lines for overview, mounts on other pages/assemblies. indicates instruction. represents hose.

FEED

POS	DESCRIPTION	PART	QTY	COMMENTS
13	For option EC-Oil (no terminals)			See "Top part" (QS45)
	Attach feed hoses from control system			(a & b represents channels on feed block)



Feed Left:

Photo needed: option Feed Left

Functions according to control system

Feed Right:

Photo needed: option Feed Right

Functions according to control system