

SK20

COVERSHEET

Planned document changes:

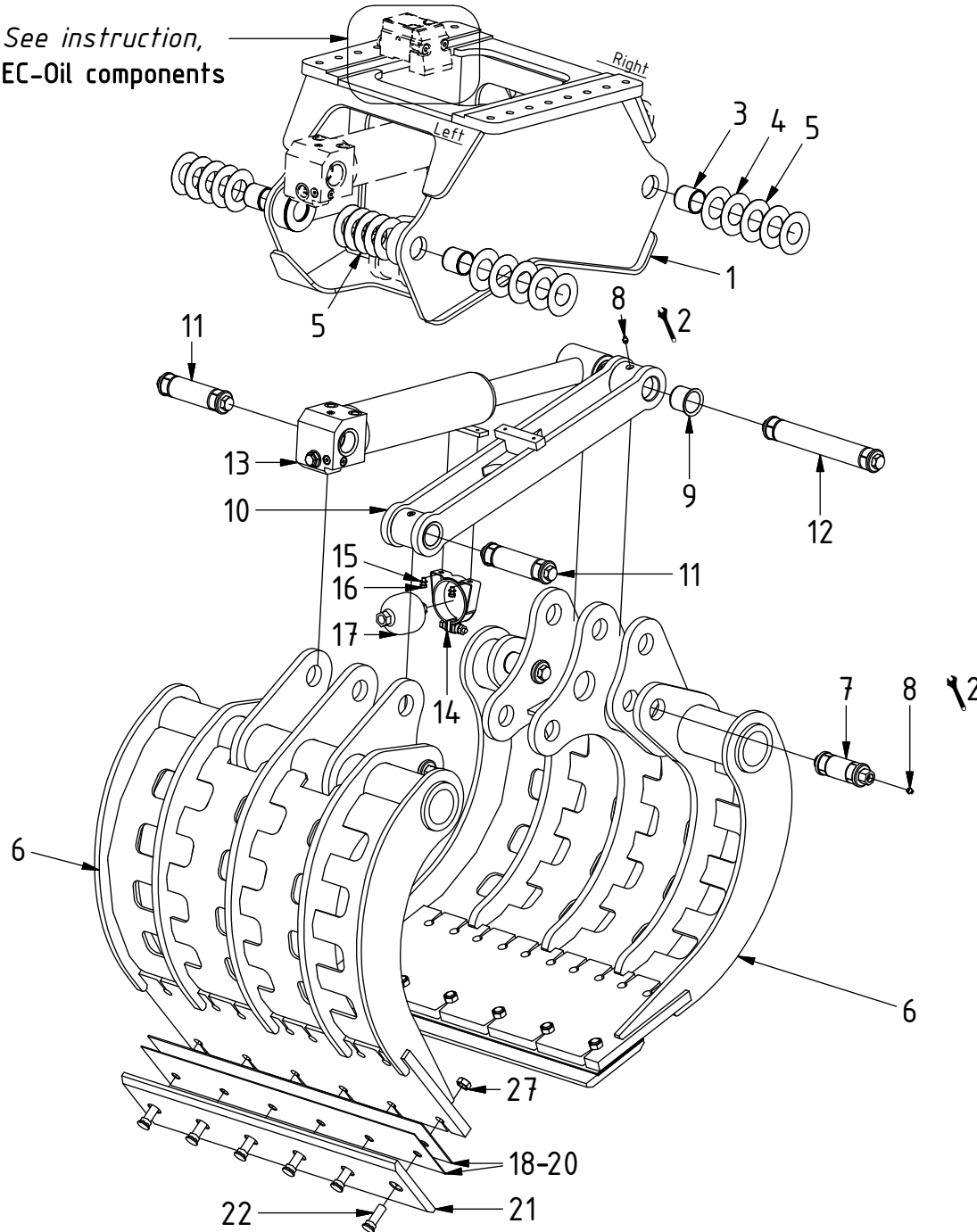
Briefly:

No planned changes.

Document changes:

| Date: | Change: | Rev. after change: |
|--------------|--------------------------|-------------------------------|
| 2022-01-07 | Descriptions corrected. | C |
| 2021-03-16 | Expanders torques added. | B |
| 2020-05-03 | Photos updated. | A |
| 2020-02-17 | New instruction. | - |

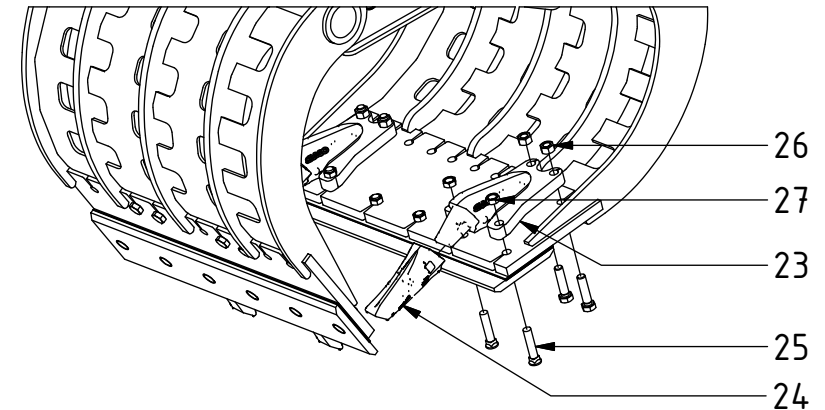
See instruction,
EC-Oil components



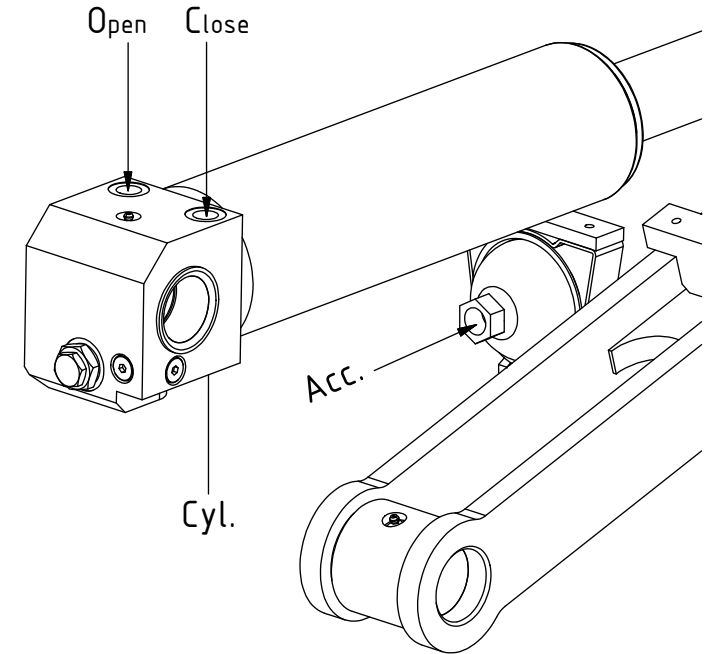
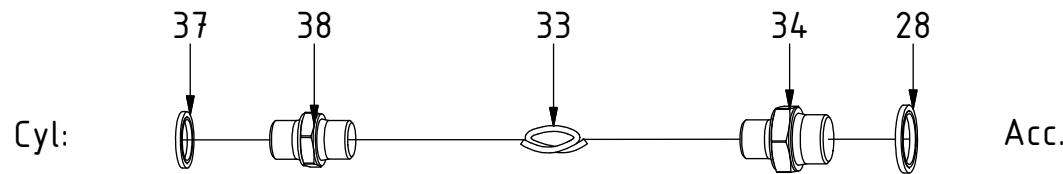
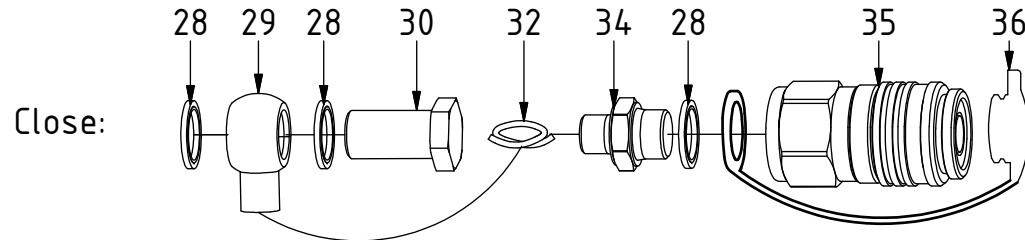
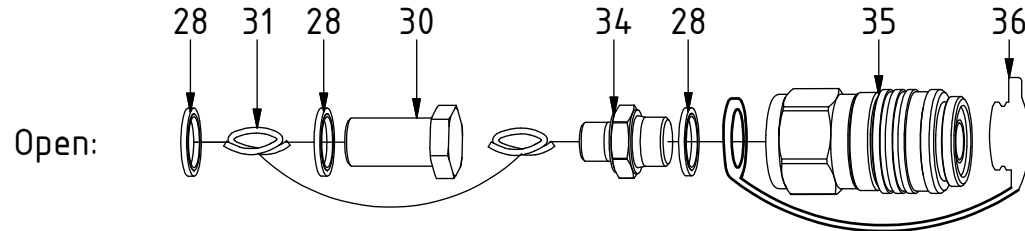
| POS | DESCRIPTION | PART | QTY | COMMENTS |
|-----|-------------------------------------|---------|-----|----------------------------|
| 1 | Main frame SK20 | 1000058 | 1 | |
| 2 | Fill lubrication points with grease | | | |
| 3 | Bushing 50/55x50 | 630308 | 4 | |
| 4 | Shims 100/51x1.0 | 1024934 | 24 | |
| 5 | Shims 100/51x2 | 1024935 | 16 | |
| 6 | Grab arm SK20 | 1000066 | 2 | |
| 7 | Expander pin Ø50 L105 SK20 | 402765 | 4 | Torque: 350Nm |
| 8 | Grease nipple M10x1 | 711410 | 8 | |
| 9 | Bushing 55/50x50 | 630406 | 4 | |
| 10 | Link SK20 | 1001012 | 1 | |
| 11 | Expander pin Ø50 L165 SK20 | 402764 | 2 | Torque: 350Nm |
| 12 | Expander pin Ø50 L310 SK20 | 402763 | 1 | Torque: 350Nm |
| 13 | Cylinder SK20 | 1012704 | 1 | See "Grab cylinders" |
| 14 | Clamp Bracket | 790101 | 1 | |
| 15 | Flat Washer | 611005 | 2 | |
| 16 | Hex Head Screw 8x16 | 610122 | 2 | |
| 17 | Accumulator | 790102 | 1 | |
| 18 | Shims SK20 3mm | 1051505 | 2 | Use if required |
| 19 | Shims SK20 1mm | 1024932 | 2 | Use if required |
| 20 | Shims SK20 2mm | 1024933 | 2 | Use if required |
| 21 | Cutting edge SK20 | 201000 | 2 | |
| 22 | Cutting steel bolt UNC 3/4x64 | 660404 | 12 | QTY: 4 for grab with teeth |
| 23 | SG26-8803-U25-U25S Extra teeth | 1051683 | 4 | (POS.24 included) |
| 24 | Tooth tip ESCO ultralock U25S | 1018510 | 4 | |
| 25 | Cutting steel bolt UNC 3/4"x95 | 6000272 | 8 | |
| 26 | Hex. Nut M6M M20 8,8 FZB | 610931 | 8 | |
| 27 | Hex. Nut 3/4" | 660403 | 20 | |

POS in order of assembly

With teeth:



| POS | DESCRIPTION | PART | QTY | COMMENTS |
|-----|-------------------------------|--------|-----|----------|
| 28 | Sealing washer 1/2" | 710704 | 7 | |
| 29 | Adapter 830-08-06 (1/2"-3/8") | 710193 | 1 | |
| 30 | Banjobult | 710274 | 2 | |
| 31 | Hose | 740902 | 1 | |
| 32 | Hose | 740903 | 1 | |
| 33 | Hose | 740909 | 1 | |
| 34 | Adapter 139-06-08 | 710122 | 3 | |
| 35 | Quick coupler 1/2" female | 790114 | 2 | |
| 36 | Dust protection 1/2" female | 790118 | 2 | |
| 37 | Washer GBR06 3/8 | 710703 | 1 | |
| 38 | Adapter 3/8" | 710106 | 1 | |



| POS | DESCRIPTION | PART | QTY | COMMENTS |
|-----|-------------|--------|-----|----------|
| 31 | Hose | 740902 | 1 | |
| 32 | Hose | 740903 | 1 | |
| 33 | Hose | 740909 | 1 | |

