

COVERSHEET

Planned document changes:

Briefly:

No planned changes.

Document changes:

Date:	Change:	Rev. after change:
2024-06-07	Lock cylinder replaced.	I
2023-10-13	Details for cover plate updated.	H
2023-05-03	Photos updated, rubber clamp added.	G
2023-04-26	QSM50 added.	F
2022-08-30	New layout.	E
2021-12-02	Hook updated.	D
2021-04-20	Dates for spare parts corrected.	C
2021-03-09	Small cover plate replaced. Plugs excluded from cyl.	B
2020-03-13	Washers for cover plate added.	A
2020-02-18	New document.	-

Readers note:

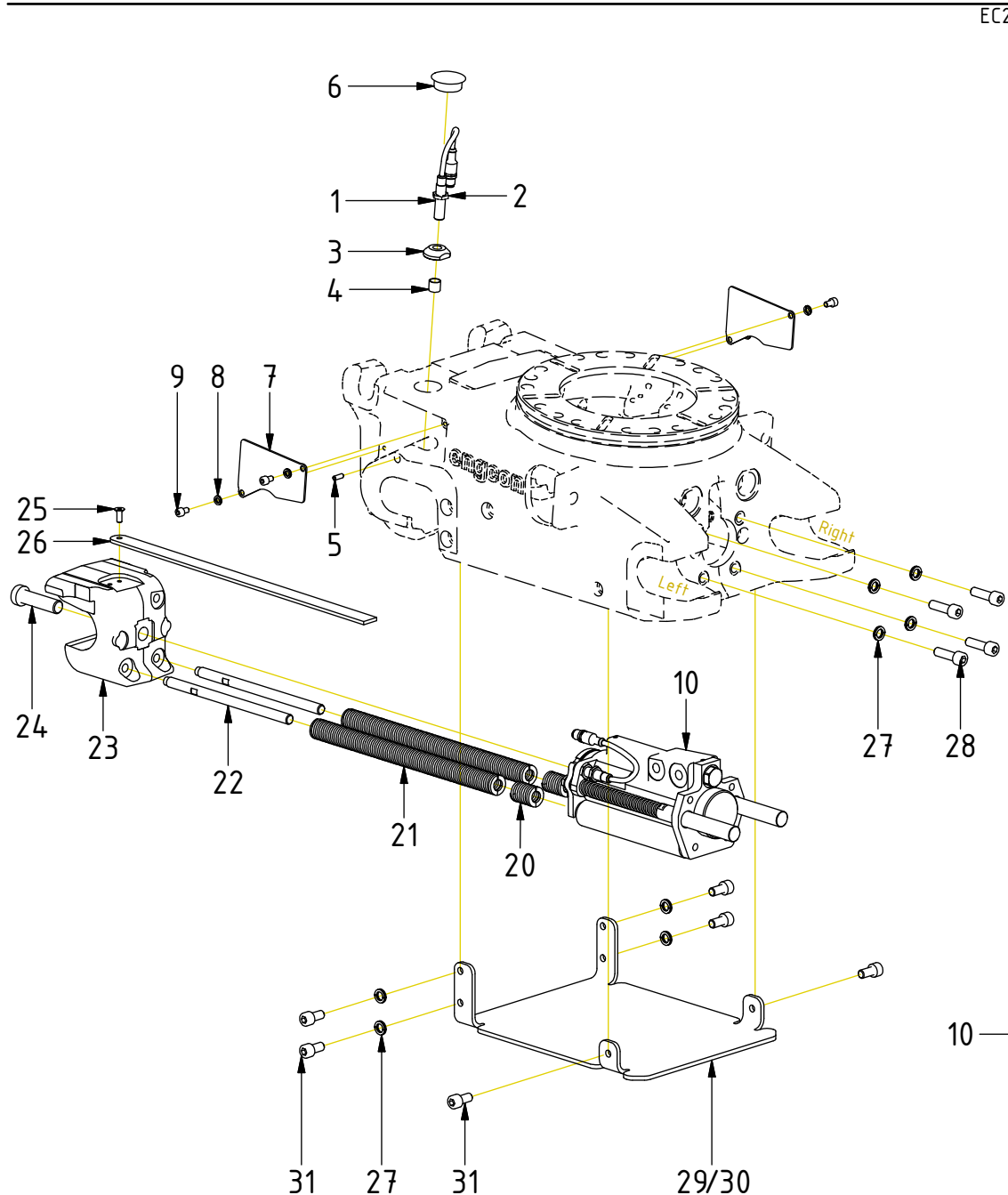
Indicates instruction.



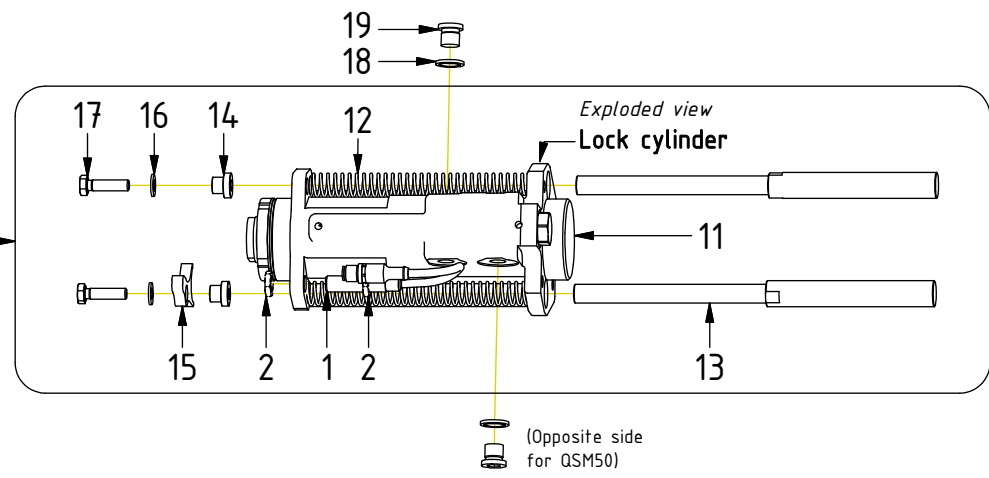
Represents Hose.

Dashed lines for overview, mounts
on other pages/assemblies.

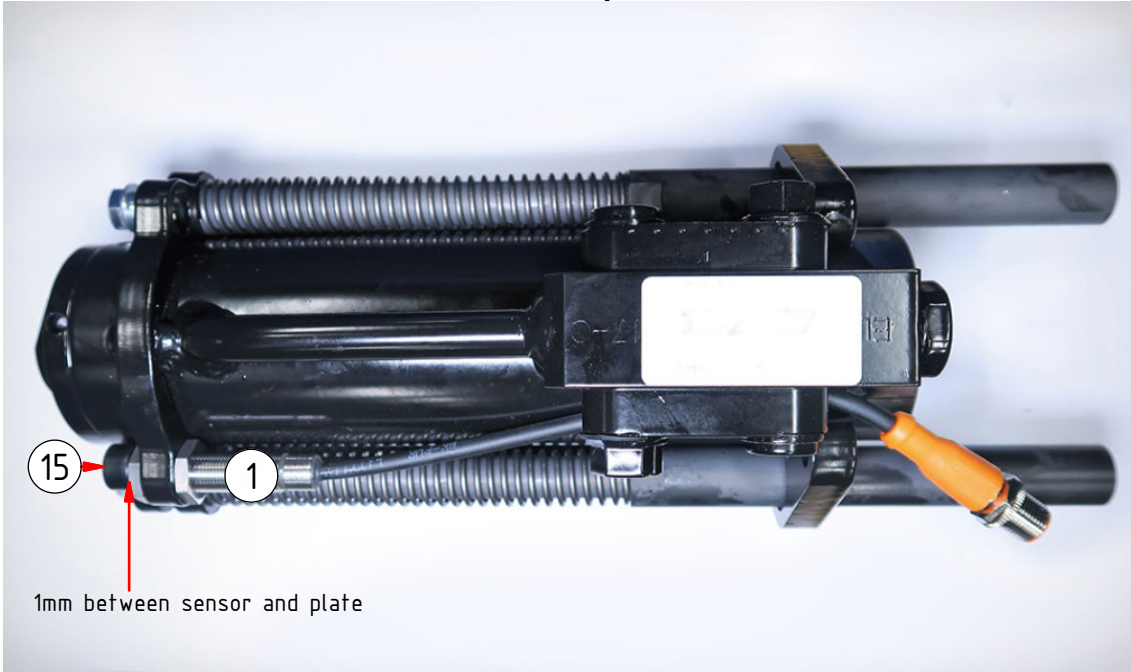
Std. Hitch components - QSM45/50



EC209B	POS	DESCRIPTION	PART	QTY	COMMENTS
	1	Inductive sensor QSM	1048262	2	Connect to slip ring QSM
	2	Hex nut			(Incl. with sensor)
	3	Position nut, inductive sensor	1029432	1	
	4	Protection lid, inductive sensor	8000056	1	
	5	Set screw MS6SS 8x16	610808	1	
	6	Cover plug QS/ECO	8000068	1	
	7	Small cover plate QSM45 V2	1061548	2	Only for QSM45
	8	Washer NL 6mm	611039	4	Only for QSM45
	9	Screw MC6S M6x10 12.9 Geomet	611512	4	Only for QSM45
	10	Lockcyl. QSM45/50 Comp. Forged QSC	1072390	1	(POS.1, 11-17 incl.)
	11	Lock cylinder QSM45/50	1067280	1	
	12	Spring QS45/50/60 Ejectors 16x175	1049973	2	
	13	Ejector QSM45	1036953	2	
	14	Spacer	1036406	2	
	15	Sensor Plate	1036988	1	Assemble with sligth play
	16	Washer BRB 8,4x16x1,6 200 HV FZB	611005	2	
	17	Screw M6S M8x30 8,8 FZB	611538	2	Loxeal 83-52
	18	Washer GBR04 1/4	710702	2	
	19	Plug 153-04 (1/4")	711505	2	
	20	Spring 25x32	1025483	2	
	21	Spring 25x305	1024021	2	
	22	Steering	1025621	2	Loxeal 83-52
	23	Hook QS45/50 V2 machined	1047545	1	
	24	Screw MLC6S M16x60 10.9	610721	1	Loxeal 83-52
	25	Screw MF6S M6x16 10.9 untreatead	610604	1	Loxeal 83-52
	26	Indicator pin QS, 605mm	1036201	1	Cut to fit
	27	Washer NL 10mm	611041	8	QTY: 4 for EC-Oil
	28	Screw MC6S M10x35 12.9	610494	4	
	29	Cover plate QSM45	1056804	1	No cover plate for EC-Oil
	30	Cover plate QSM50	1039655	1	No cover plate for EC-Oil
	31	Screw MC6S M10x20 12.9 ZFSHL	6000409	6	



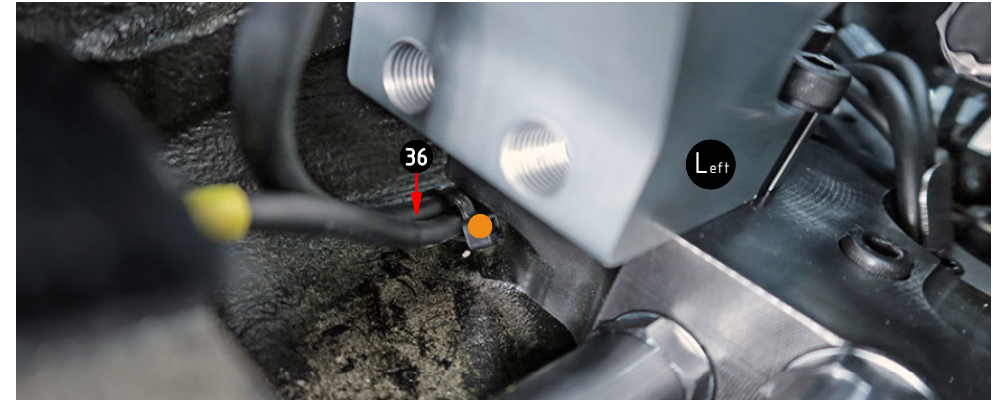
Sensor Cylinder



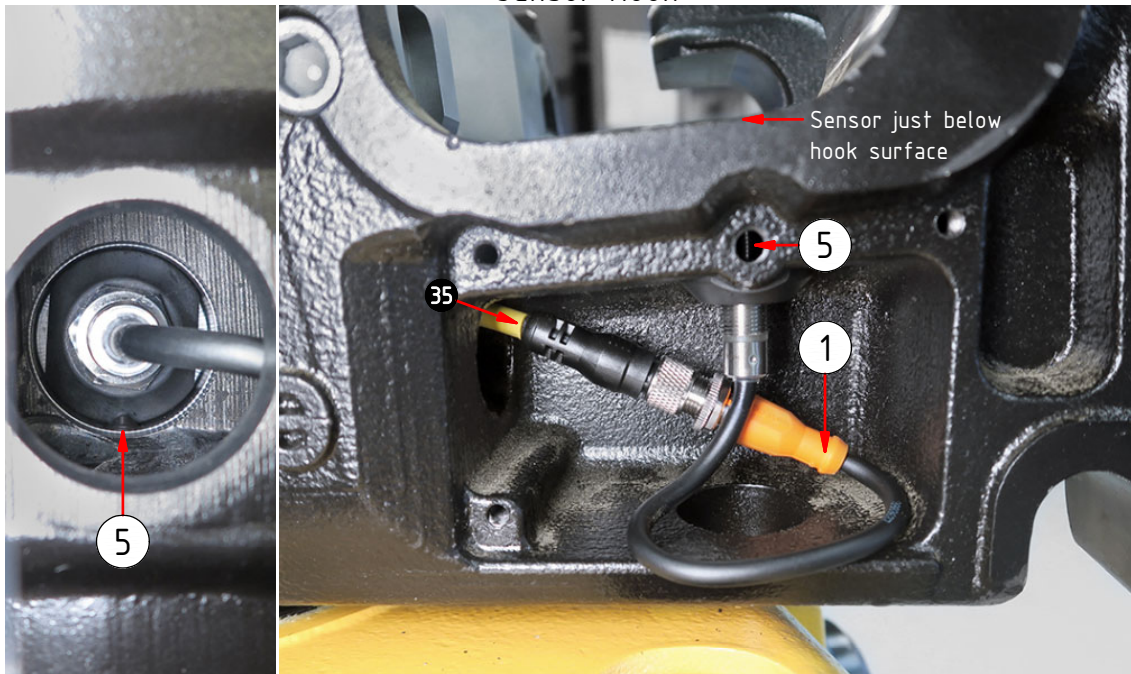
1mm between sensor and plate

POS	DESCRIPTION	PART	QTY	COMMENTS
1	Inductive sensor QSM	1048262	2	Connect to slip ring QSM
5	Set screw MS6SS 8x16	610808	1	
15	Sensor Plate	1036988	1	Assemble with sligth play
32	Rubber Steel Clamp Ø12	790155	1	
33	Screw MC6S 5x16 12.9	610401	1	
34	Cable from slip ring (Ejector)			
35	Cable from slip ring (Hook)			
36	Cable from slip ring (ECO)			
●	Use cable ties			

ECO Cable

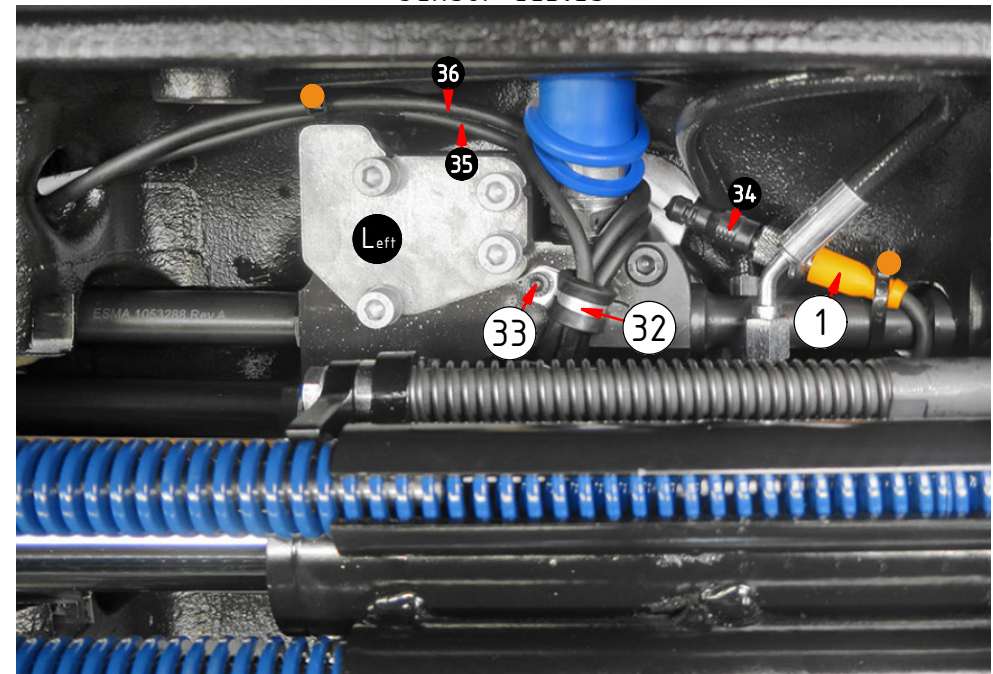


Sensor Hook



Sensor just below hook surface

Sensor Cables



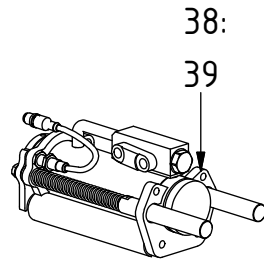
POS in order of assembly

SPARE PARTS

POS	DESCRIPTION	PART	QTY	COMMENTS
7	Small cover plate QSM45 V2	1061548	2	Only for QSM45
8	Washer NL 6mm	611039	4	Only for QSM45
9	Screw MC6S M6x10 12.9 Geomet	611512	4	Only for QSM45
10	Lockcyl. QSM45/50 Comp. Forged QSC	1072390	1	(POS.1, 11-17 incl.)
11	Lock cylinder QSM45/50	1067280	1	
38	Lock cylinder QSM45/50 Compl. QSC	1056583	1	Replaced by POS.10 from 2024-05 (POS.1, 12-17, 39 incl.)
39	Lock cylinder QSM45/50	1055643	1	Replaced by POS.11 from 2024-05

POS in order of assembly

Replaced by current version from 2024-05



QSM45:

Replaced by POS.7
from 2021-03

