

## COVERSHEET

### Planned document changes:

**Briefly:**

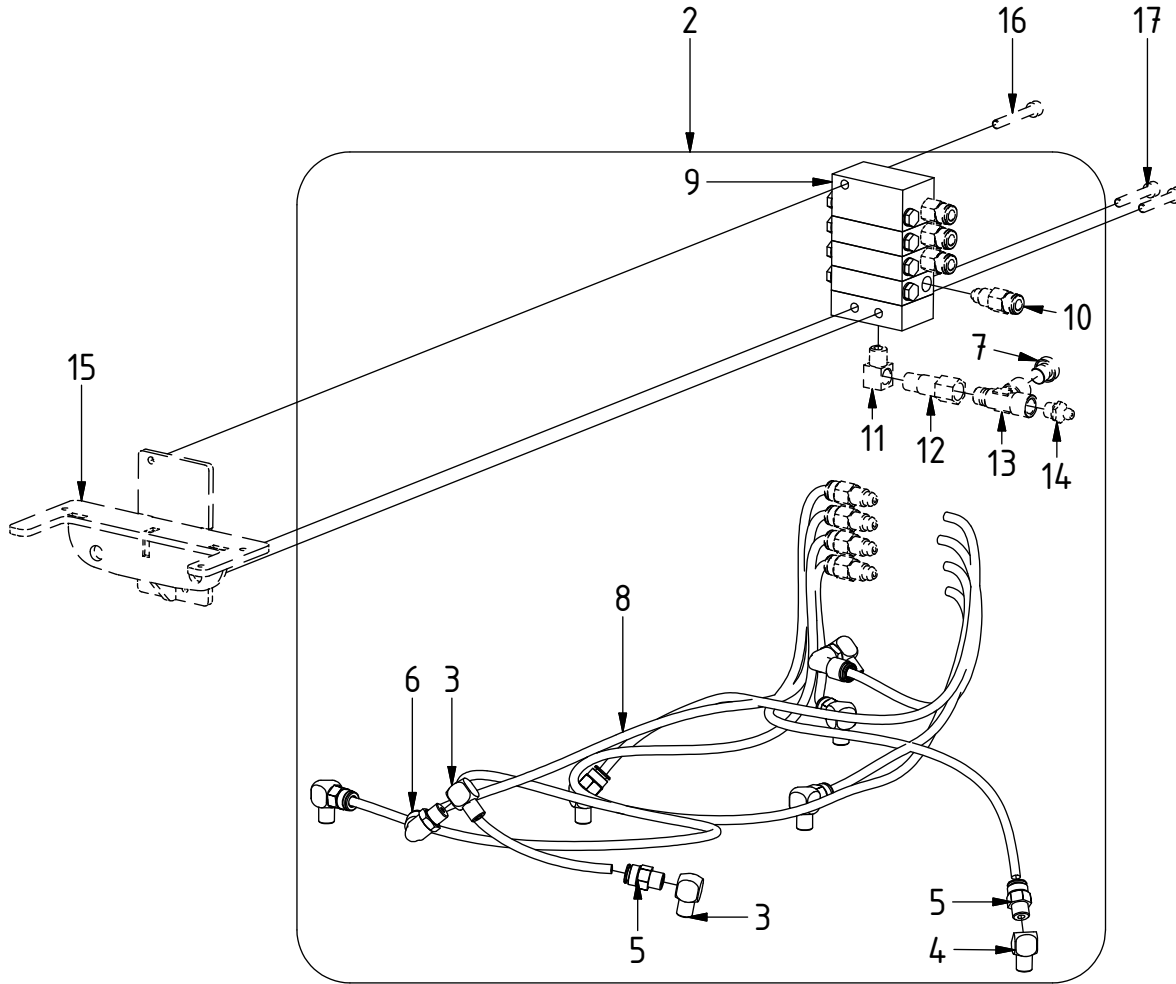
---

No planned changes.

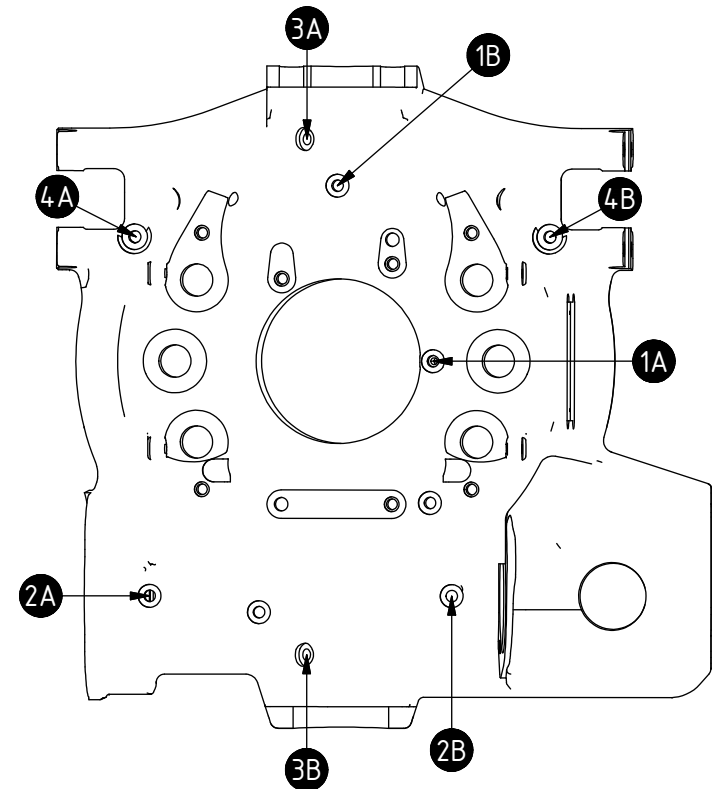
### Document changes:

<b>Date:</b>	<b>Change:</b>	<b>Rev. after change:</b>
2022-03-18	Plug on L-adapter positioned.	C
2021-02-10	2A & 2B switches place on frame. Spare parts page added.	B
2020-03-12	Item no for extender and adapter added.	A
2020-02-07	New instruction.	-

# EC209 QSM - Central lubrication



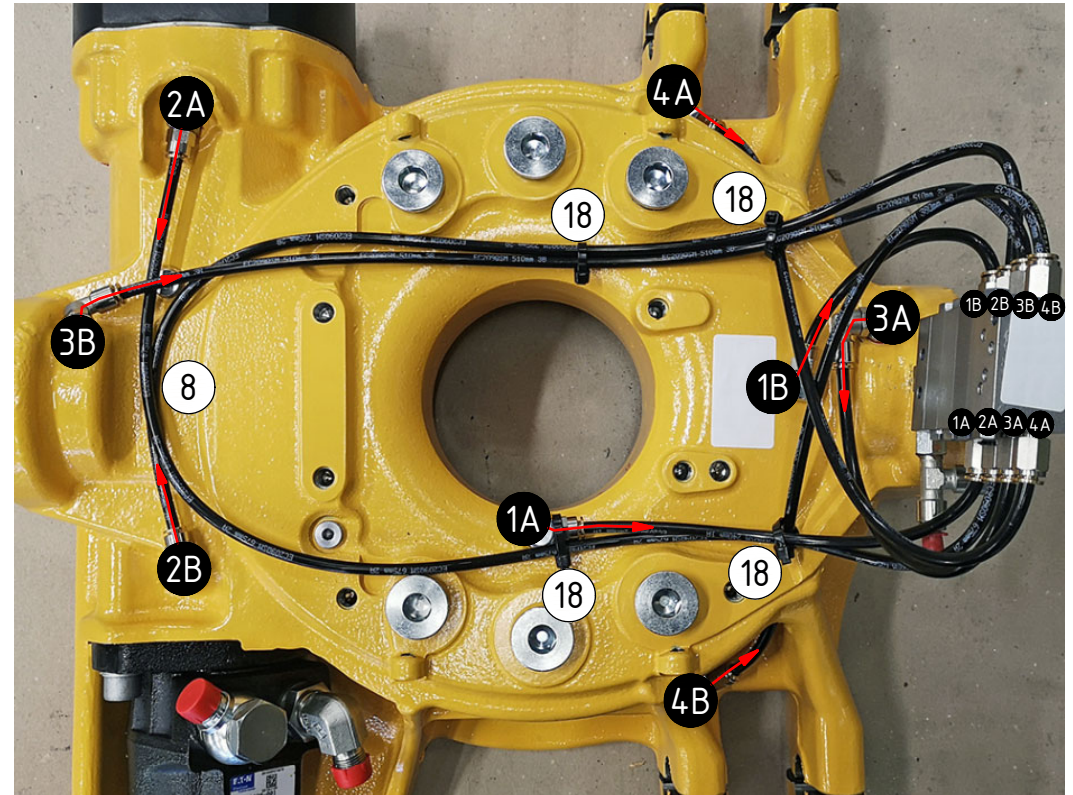
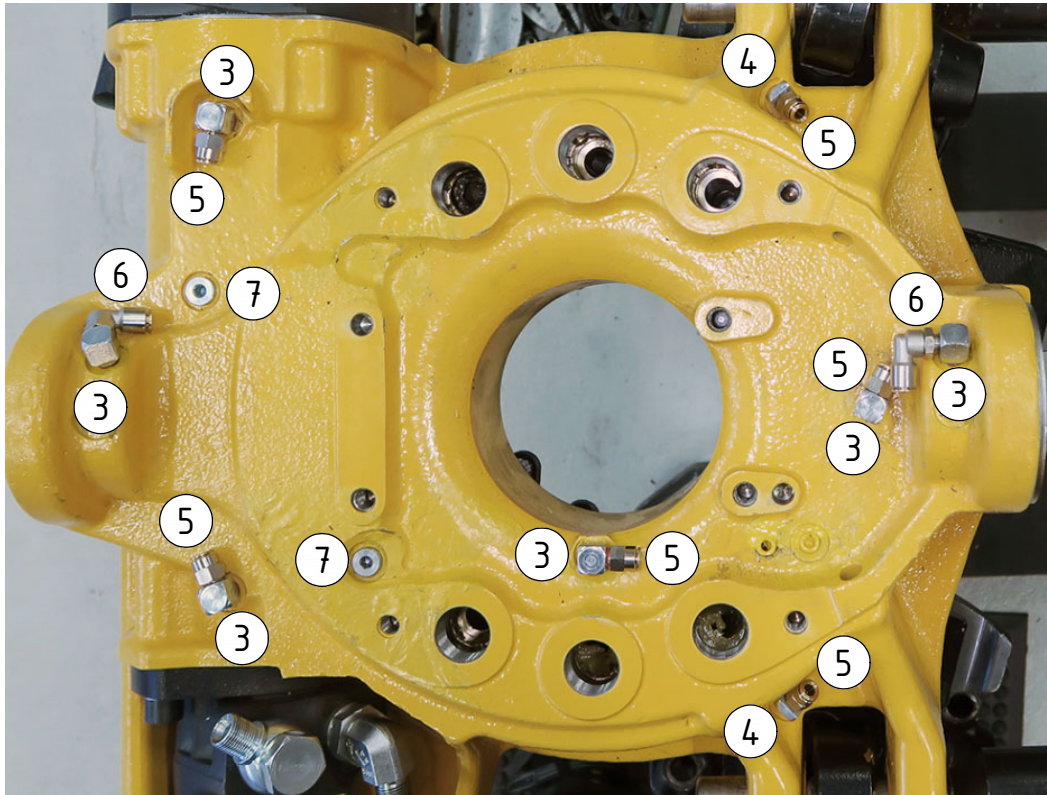
POS	DESCRIPTION	PART	QTY	COMMENTS
1	Central lubrication is applied alongside rotator frame assembly			See "Rotator frame"
2	Lubrication kit EC209 QSM Compl.	1056598	1	(POS.3-6, 8-9 included)
3	Adapter 90° R1/8"	710199	6	
4	Adapter 45° R1/8"	712215	2	
5	Push-in koppl EC209 R1/8"	790172	6	
6	Adapter 90° Push-in - swivel	790184	2	
7	Plug 70125-02 (1/8")	711503	3	QTY: 2 part of rotator frame
8	Hose kit lubrication QSM	7001316	1	
9	Dosing block MX-F 4/8	1057161	1	(POS.7, 10-14 included)
10	Push-in Coupling 6mm	790188	8	
11	Adapter 90° M10x1	790190	1	
12	Extender M10x1-M10x1 35mm	7000684	1	
13	L-adapter S2070 1/8-1/8	7001309	1	
14	Grease Nipple	711403	1	
15	Mounting plate central lub. QSM45	1055574	1	Part of control system assembly
16	MC6S M5x35 12.9	610404	1	Part of control system assembly
17	MC6S M5x30 12.9	610403	2	Part of control system assembly



# EC209 QSM - Central lubrication

POS	DESCRIPTION	PART	QTY	COMMENTS
3	Adapter 90° R1/8"	710199	6	
4	Adapter 45° R1/8"	712215	2	
5	Push-in koppl EC209 R1/8"	790172	6	
6	Adapter 90° Push-in - swivel	790184	2	
7	Plug 70125-02 (1/8")	711503	3	QTY: 2 part of rotator frame
8	Hose kit lubrication QSM	7001316	1	
18	Use cable ties			

POS in order of assembly



POS	DESCRIPTION	PART	QTY	COMMENTS
-----	-------------	------	-----	----------

POS in order of assembly

## Related spare parts

2A & 2B until 2020-02

