

COVERSHEET

Planned document changes:


Briefly:

No planned changes.

Document changes:

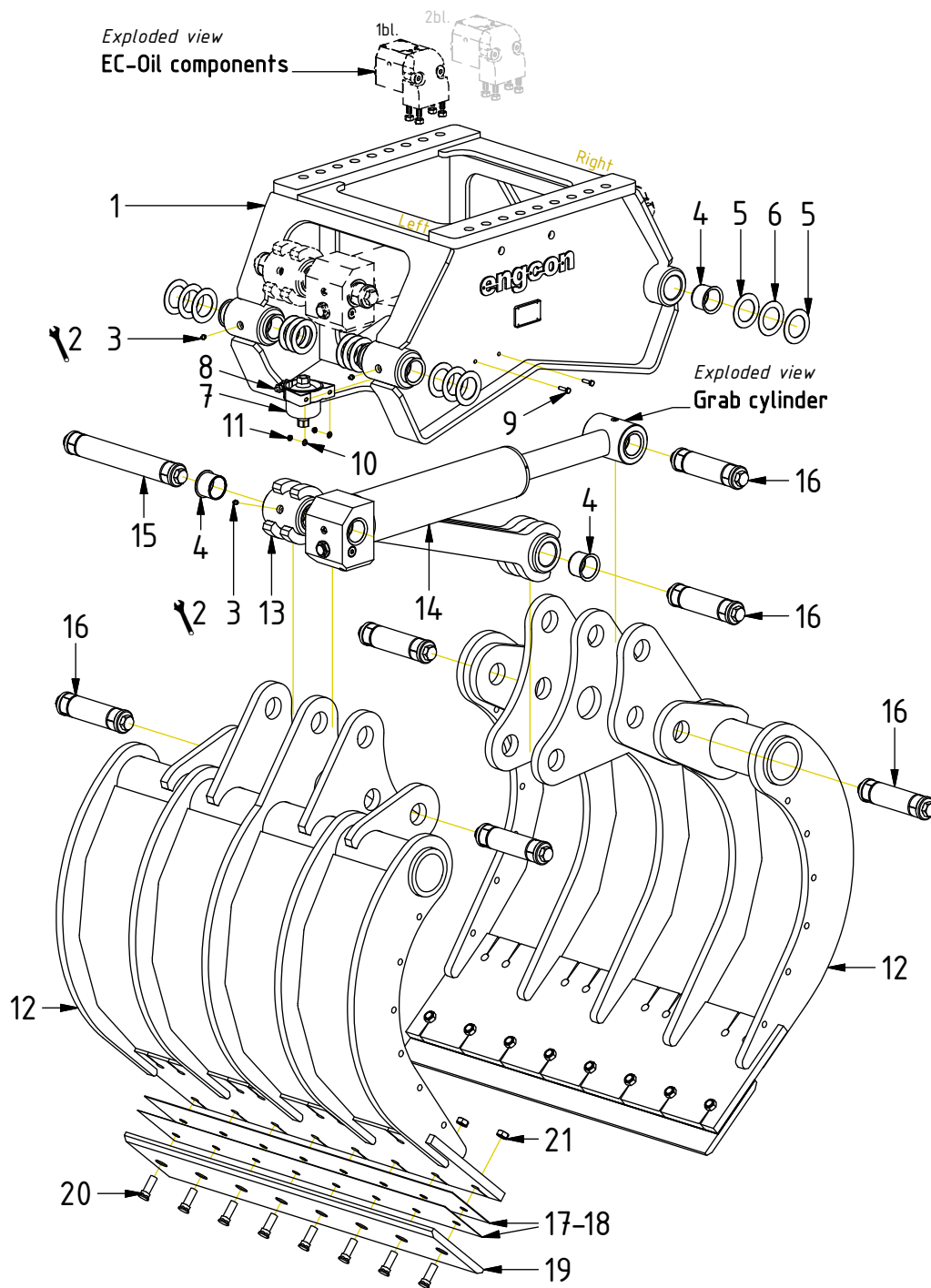
| Date: | Change: | Rev. after change: |
|------------|---------------------------|--------------------|
| 2024-12-18 | EC-Oil added. | D |
| 2022-02-22 | Side plate kits added. | C |
| 2021-03-16 | Expander torques added. | B |
| 2020-05-11 | Bulkhead adapter updated. | A |
| 2019-12-20 | New document. | - |

Readers note:

 Indicates instruction.

 Represents Hose.

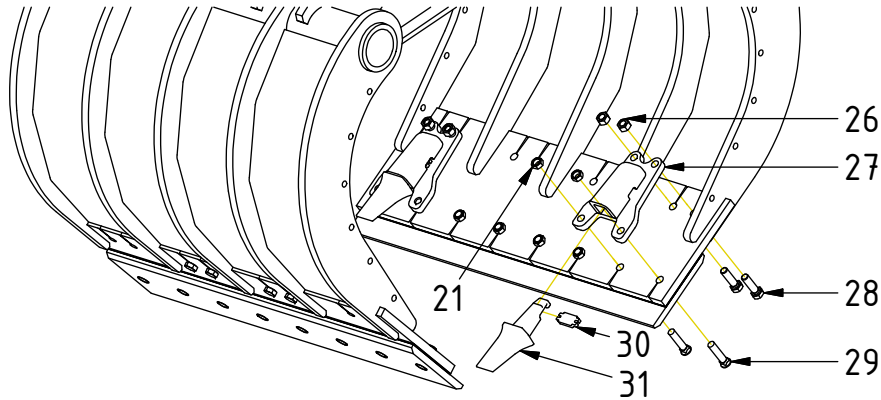
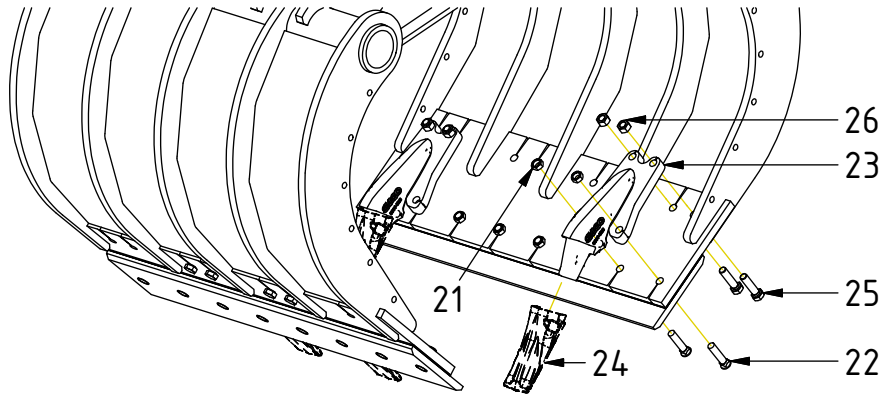
Dashed lines for overview, mounts on other pages/assemblies.



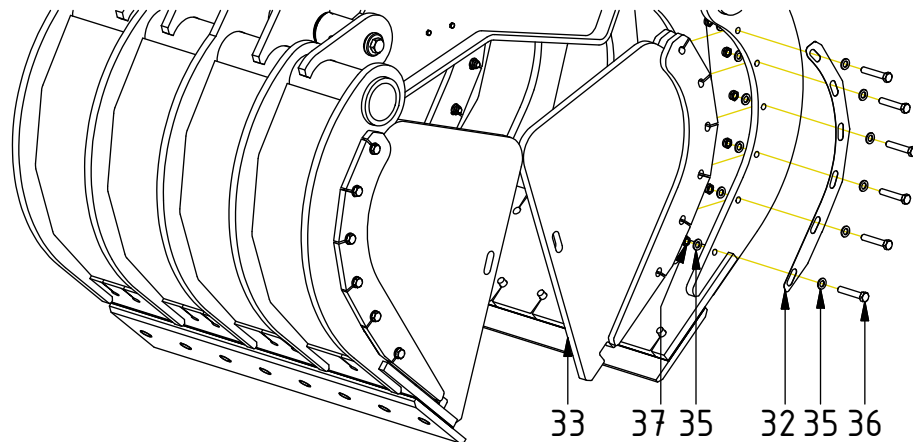
| POS | DESCRIPTION | PART | QTY | COMMENTS |
|-----|-------------------------------------|---------|-----|--------------------------|
| 1 | Main frame SG33 | 1051812 | 1 | |
| 2 | Fill lubrication points with grease | | | |
| 3 | Grease nipple H1 M10x1 | 790166 | 6 | |
| 4 | Bushing 60/65/75x50 | 630405 | 12 | |
| 5 | Shim 2mm | 1030533 | 16 | |
| 6 | Shim 1mm | 1030534 | 8 | |
| 7 | Accumulator | 790102 | 1 | |
| 8 | Clamp Bracket | 790103 | 1 | |
| 9 | Screw M6S M8x30 8,8 FZB | 611538 | 2 | |
| 10 | Washer BRB 8,4x16x1,6 200 HV FZB | 611005 | 2 | |
| 11 | Lock Nut M6M M8x1,25 8,8 FZB | 610922 | 2 | |
| 12 | Grab Arm SG33 | 1051792 | 2 | |
| 13 | Link SG33 | 201692 | 1 | |
| 14 | Cylinder SG33 | 1007312 | 1 | |
| 15 | Expander axle L=375 | 404112 | 1 | Torque: 500Nm |
| 16 | Expander axle L=200 | 404107 | 6 | Torque: 500Nm |
| 17 | Shim Cutting edge 2mm | 1043793 | 2 | Use if required |
| 18 | Shim Cutting edge 1mm | 1043794 | 2 | Use if required |
| 19 | Cutting edge SG33 | 302522 | 2 | |
| 20 | Cutting steel bolt UNC 3/4x64 | 660404 | 16 | QTY: 8 for SG with teeth |
| 21 | Hex. Nut 3/4" | 660403 | 16 | |

POS in order of assembly

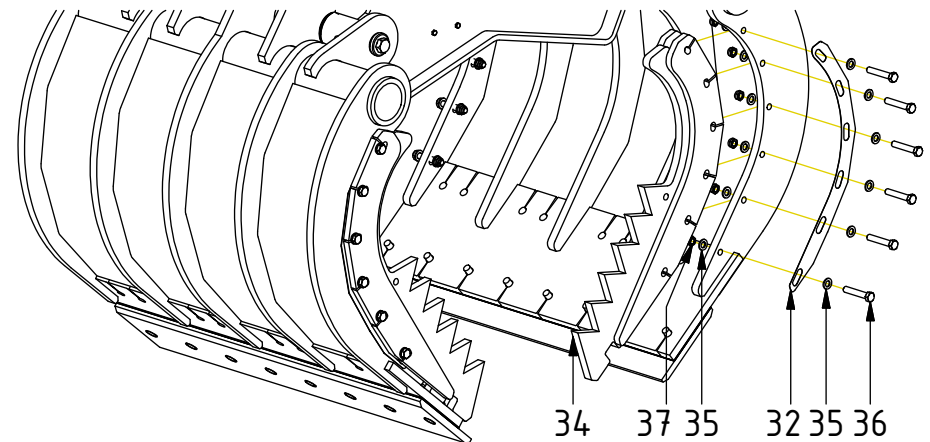
With teeth:



With closed sideplates:



With Jaw teeth:

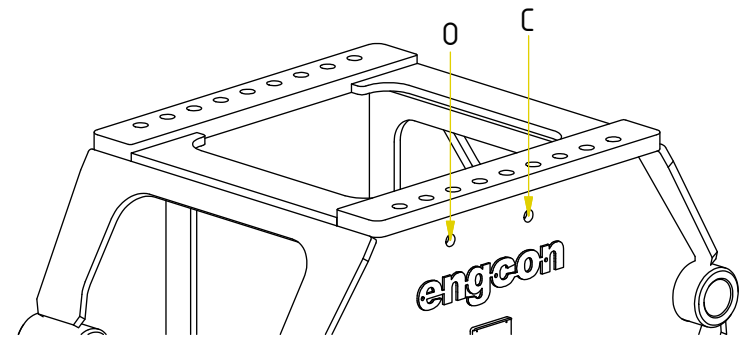
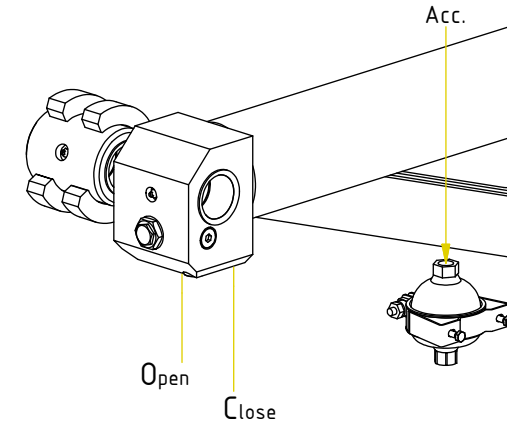
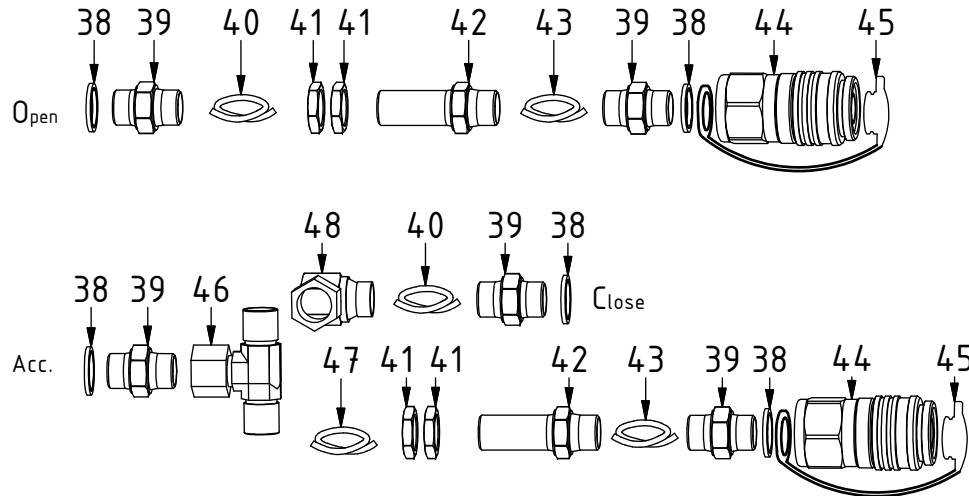


| POS | DESCRIPTION | PART | QTY | COMMENTS |
|-----|-------------------------------|---------|-----|--------------------------|
| 21 | Hex. Nut 3/4" | 660403 | 16 | |
| 22 | Screw 3/4" L=95mm | 6000272 | 8 | |
| 23 | Tooth SG33-ESCO-UL-U30-U30S | 1051820 | 4 | (POS.24 incl.) |
| 24 | Tooth tip ESCO U30S | 1018506 | 4 | |
| 25 | Screw M6S M20x80 | 6000273 | 8 | |
| 26 | Nut M6M M20 8,8 FZB | 610931 | 8 | |
| 27 | Tooth holder | 301866 | 4 | |
| 28 | Screw M6S M20x70 8,8 | 610232 | 8 | |
| 29 | Screw 3/4" L=89mm | 660402 | 8 | |
| 30 | Lock B-cover | 660103 | 4 | |
| 31 | Tooth B-cover | 660101 | 4 | |
| 32 | SG33 Closing plate spacer | 1052627 | 4 | |
| 33 | SG33 Closing plate | 1051799 | 4 | |
| 34 | SG33 Jaw teeth | 1053686 | 4 | |
| 35 | Washer BRB 17x30x3 | 611009 | 48 | |
| 36 | Screw M6S 16x90 | 610216 | 24 | |
| 37 | Lock Nut M6M M16x2 8,8 FZB | 610926 | 24 | |
| 53 | Tooth kit esco SG33 | 1057866 | 1 | (POS.21-23, 25-26 incl.) |
| 54 | Tooth kit SG33 | 1074612 | 1 | (POS.21, 26-31 incl.) |
| 55 | Side plate kit SG33 | 1055759 | 1 | (POS.32-33, 35-37 incl.) |
| 56 | Side plate kit Jaw Teeth SG33 | 1056291 | 1 | (POS.32, 34-37 incl.) |

Without EC-Oil

| POS | DESCRIPTION | PART | QTY | COMMENTS |
|-----|------------------------------|---------|-----|-------------------|
| 38 | Washer GBR08 1/2 | 710704 | 10 | QTY: 6 for EC-Oil |
| 39 | Adapter 136-08-08 (1/2") | 710108 | 10 | QTY: 6 for EC-Oil |
| 40 | Hose | 740912 | 2 | QTY: 1 for EC-Oil |
| 41 | Counternut 1270-08 (1/2") | 710254 | 4 | |
| 42 | Adapter 1260-08-45 (1/2") | 710263 | 2 | |
| 43 | Hose | 7001168 | 2 | |
| 44 | Quick coupler 1/2" female | 790114 | 2 | |
| 45 | Dust protection 1/2" | 790118 | 2 | |
| 46 | Adapter 853-08-08 (1/2") | 710185 | 1 | |
| 47 | Hose | 740913 | 1 | |
| 48 | Adapter 090-08-08 90° (1/2") | 710217 | 1 | |

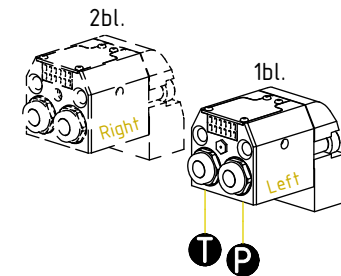
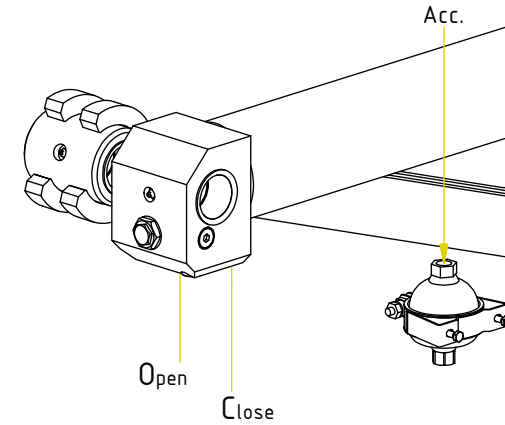
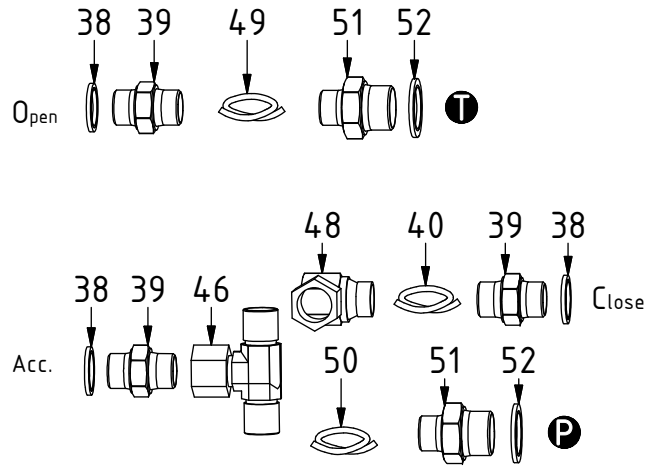
POS in order of assembly



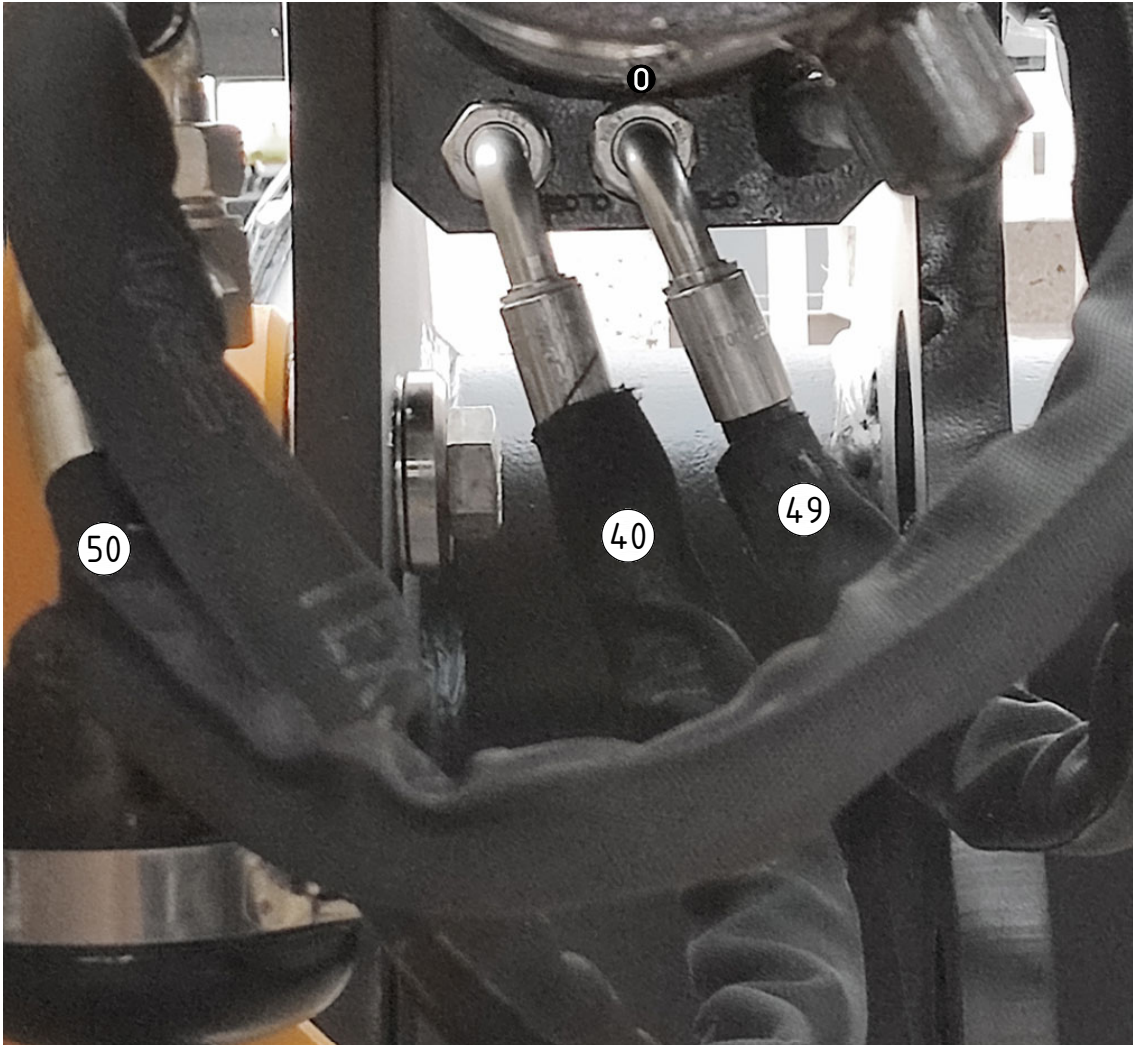
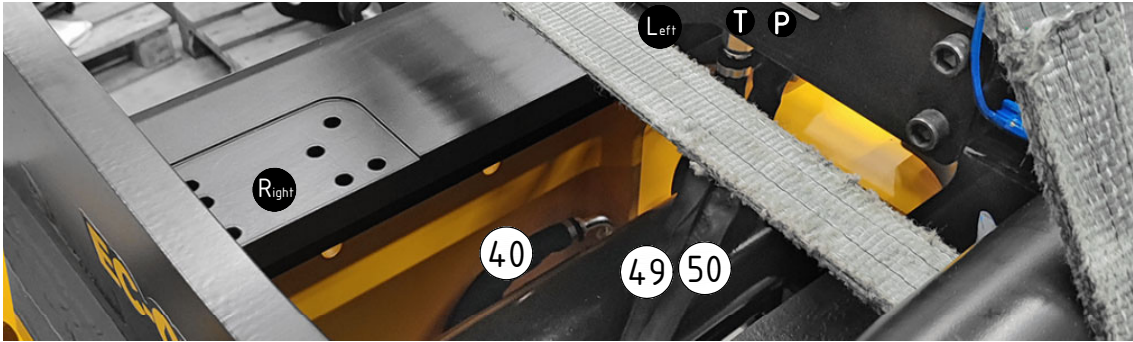
EC-Oil

| POS | DESCRIPTION | PART | QTY | COMMENTS |
|-----|-------------------------------|---------|-----|-------------------|
| 38 | Washer GBR08 1/2 | 710704 | 10 | QTY: 6 for EC-Oil |
| 39 | Adapter 136-08-08 (1/2") | 710108 | 10 | QTY: 6 for EC-Oil |
| 40 | Hose | 740912 | 2 | QTY: 1 for EC-Oil |
| 46 | Adapter 853-08-08 (1/2") | 710185 | 1 | |
| 48 | Adapter 090-08-08 90° (1/2") | 710217 | 1 | |
| 49 | Hose EC-Oil T | 7001686 | 1 | |
| 50 | Hose EC-Oil P | 7001687 | 1 | |
| 51 | Adapter 135-08-12 (1/2"-3/4") | 710109 | 2 | |
| 52 | Washer GBR12 3/4 | 710706 | 2 | |

POS in order of assembly



EC-Oil:



| POS | DESCRIPTION | PART | QTY | COMMENTS |
|-----|---------------|---------|-----|-------------------|
| 40 | Hose | 740912 | 2 | QTY: 1 for EC-Oil |
| 43 | Hose | 7001168 | 2 | |
| 47 | Hose | 740913 | 1 | |
| 49 | Hose EC-Oil T | 7001686 | 1 | |
| 50 | Hose EC-Oil P | 7001687 | 1 | |

Without EC-Oil:

