

SG26

COVERSHEET

Planned document changes:

Briefly:

Correct part no for POS.8: 790166.

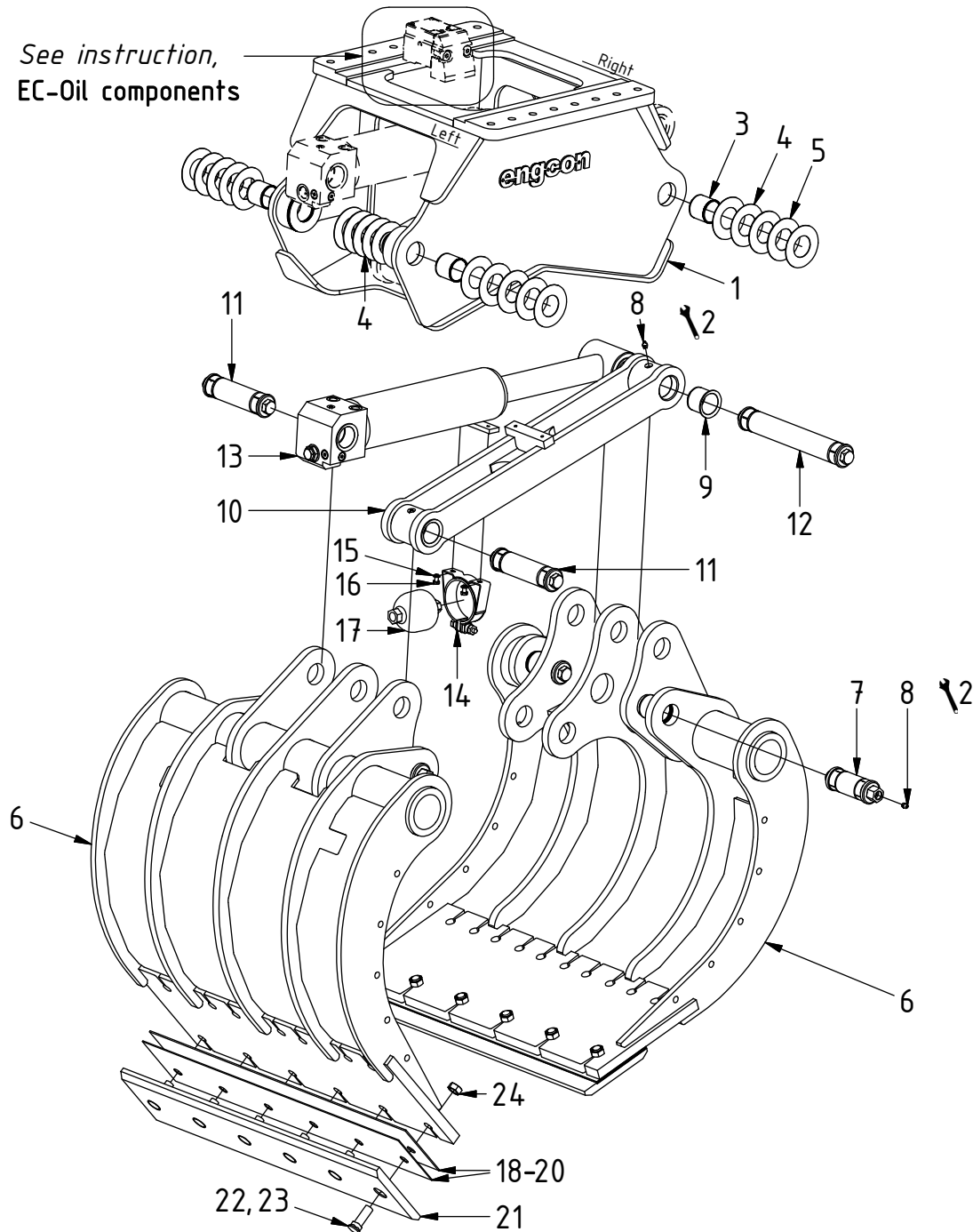
Collected part no for POS.24, 25, 26, 28, 29: 1057865.

Add part no 1074612 incl: 301866, 660101, 660103, 660402, 610232, POS.24-25.

Document changes:

| Date: | Change: | Rev. after change: |
|--------------|--------------------------------------|-------------------------------|
| 2022-06-23 | Screws added. | D |
| 2022-03-04 | Side plate kits added. EC-Oil added. | C |
| 2021-03-16 | Expanders torques added. | B |
| 2020-06-03 | Photos updated. | A |
| 2019-12-20 | New instruction. | - |

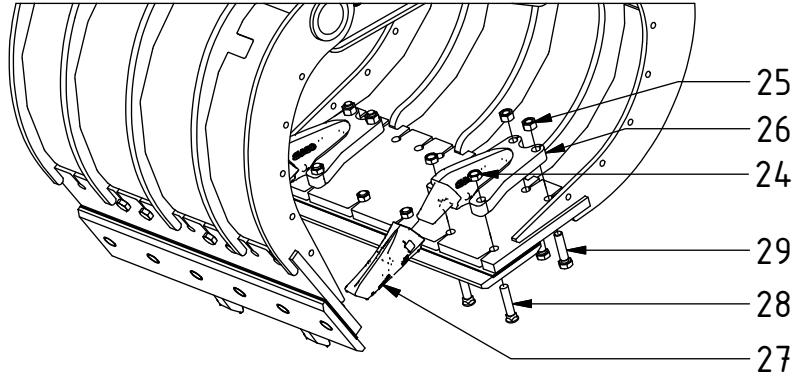
See instruction,
EC-Oil components



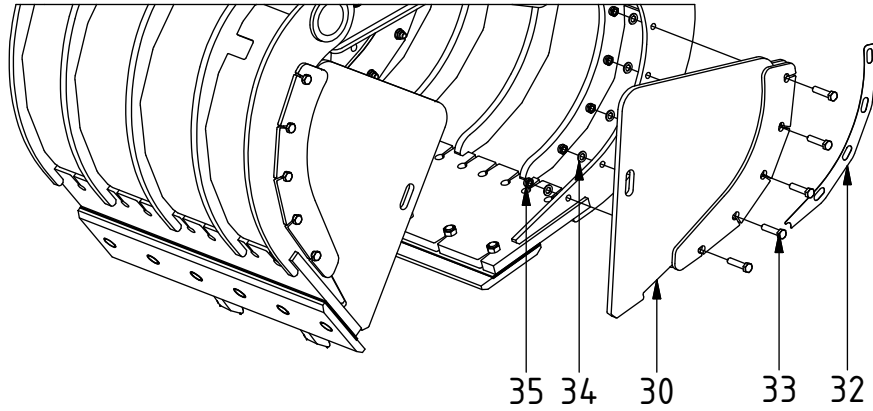
| POS | DESCRIPTION | PART | QTY | COMMENTS |
|-----|-------------------------------------|---------|-----|--|
| 1 | Main frame SG26 | 1051770 | 1 | |
| 2 | Fill lubrication points with grease | | | |
| 3 | Bushing WB802 50/55x50 | 630308 | 4 | |
| 4 | Shims 100/51x1.0 | 1024934 | 24 | |
| 5 | Shims 100/51x2 | 1024935 | 16 | |
| 6 | Arm SG26 | 1051763 | 2 | |
| 7 | Expander pin Ø50 L105 | 402765 | 4 | Torque: 350Nm |
| 8 | Grease nipple M10x1 | 711410 | 8 | |
| 9 | Bushing 55/50x50 | 630406 | 4 | |
| 10 | Link SG26 | 1001012 | 1 | (POS.8 included) |
| 11 | Expander pin Ø50 L165 | 402764 | 2 | Torque: 350Nm |
| 12 | Expander pin Ø50 L310 | 402763 | 1 | Torque: 350Nm |
| 13 | Cylinder SG26 | 1012704 | 1 | See "Grab cylinders" |
| 14 | Clamp Bracket | 790103 | 1 | |
| 15 | Washer 8,4x16x1,6 200 HV FZB | 611005 | 2 | |
| 16 | Hex Head Screw 8x16 | 610122 | 2 | |
| 17 | Accumulator | 790102 | 1 | |
| 18 | Shims SG26 1mm | 1024932 | 2 | Use if required |
| 19 | Shims SG26 2mm | 1024933 | 2 | Use if required |
| 20 | Shims SG26 3mm | 1051505 | 2 | Use if required |
| 21 | Cutting edge SG26 | 201000 | 2 | |
| 22 | Cutting steel bolt UNC 3/4x64 | 660404 | 12 | QTY: 4 for grab with teeth |
| 23 | Cutting steel bolt UNC 3/4x69 | 660401 | 12 | Replaces POS.22 if required (Depends on shims) |
| 24 | Hex. Nut 3/4" | 660403 | 12 | |

POS in order of assembly

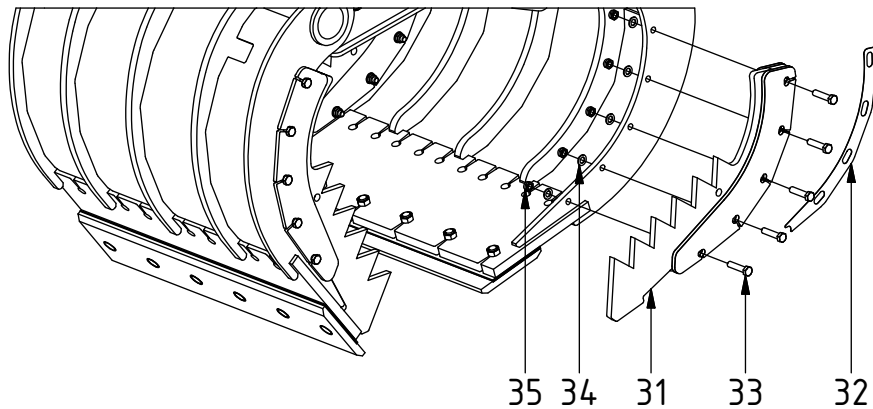
With teeth:



With closed sideplates:

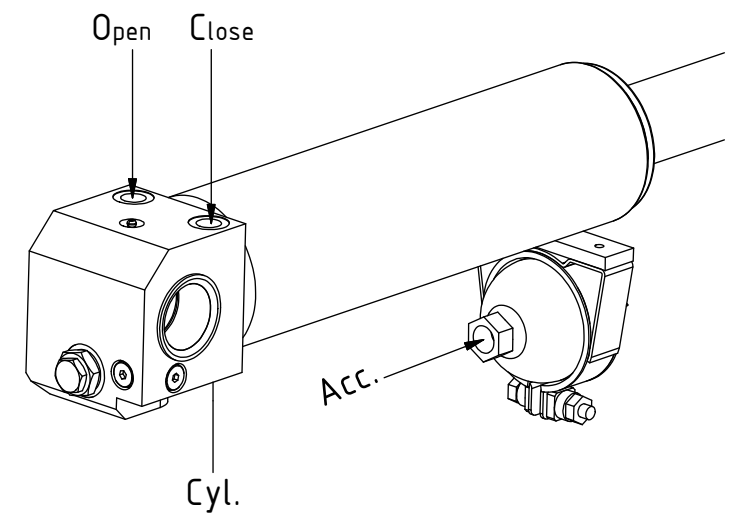
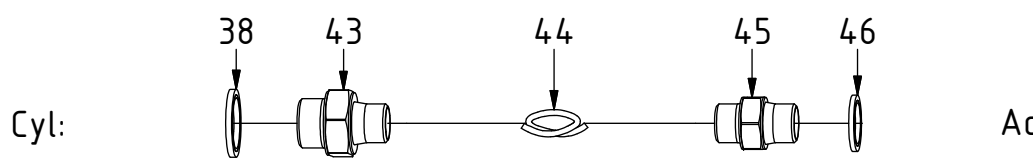
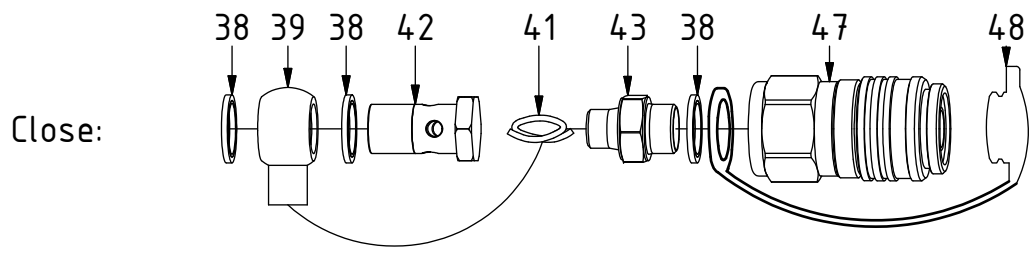
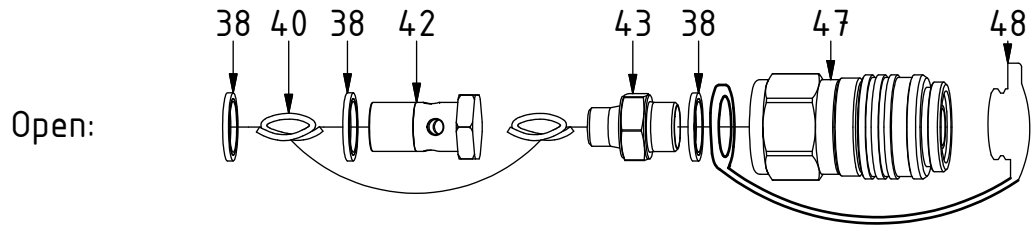


With Jaw teeth:



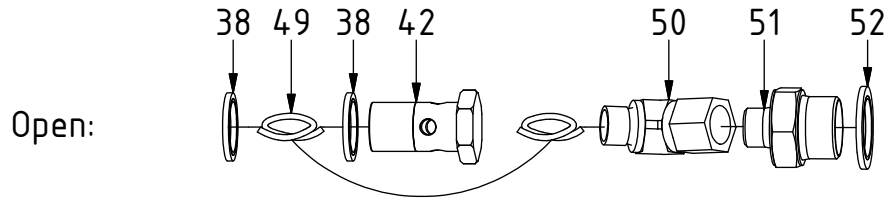
| POS | DESCRIPTION | PART | QTY | COMMENTS |
|-----|--------------------------------|---------|-----|--------------------------|
| 24 | Hex. Nut 3/4" | 660403 | 12 | |
| 25 | Hex. Nut M6M M20 8,8 FZB | 610931 | 8 | |
| 26 | Tooth SG26-ESCO-UL-U25-U25S | 1051683 | 4 | (POS.27 included) |
| 27 | Tooth tip ESCO ultralock U25S | 1018510 | 4 | |
| 28 | Cutting steel bolt UNC 3/4"x95 | 6000272 | 8 | |
| 29 | M6S M20x80 | 6000273 | 8 | |
| 30 | SG26 - Closure plate | 1051778 | 4 | |
| 31 | SG26 - Jaw teeth | 1053684 | 4 | |
| 32 | SG26 Sideplate spacer | 1052625 | 4 | |
| 33 | Screw M14x60 | 6000227 | 20 | |
| 34 | Washer BRB 15x26x2 | 611008 | 40 | |
| 35 | Lock Nut M6M M14x2 8,8 FZB | 610925 | 20 | |
| 36 | Side plate kit-SG26 | 1055758 | 1 | (POS.30, 32-35 included) |
| 37 | Side plate kit Jaw Teeth-SG26 | 1056290 | 1 | (POS.31-35 included) |

| POS | DESCRIPTION | PART | QTY | COMMENTS |
|-----|-------------------------------|--------|-----|----------|
| 38 | Washer GBR08 1/2 | 710704 | 11 | |
| 39 | Adapter 830-08-06 (1/2"-3/8") | 710193 | 1 | |
| 40 | Hose O | 740902 | 1 | |
| 41 | Hose C | 740903 | 1 | |
| 42 | Banjo bolt 4451-08 (1/2") | 710274 | 4 | |
| 43 | Adapter 135-06-08 | 710122 | 3 | |
| 44 | Hose cyl. acc. | 740909 | 1 | |
| 45 | Adapter 136-06-06 (3/8") | 710106 | 1 | |
| 46 | Washer GBR06 3/8 | 710703 | 2 | |
| 47 | Quick coupler 1/2" female | 790114 | 2 | |
| 48 | Dust protection 1/2" female | 790118 | 2 | |

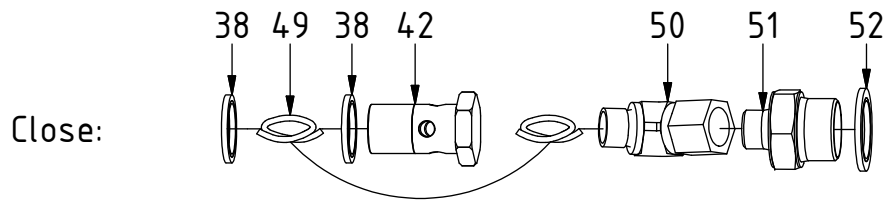


EC-Oil

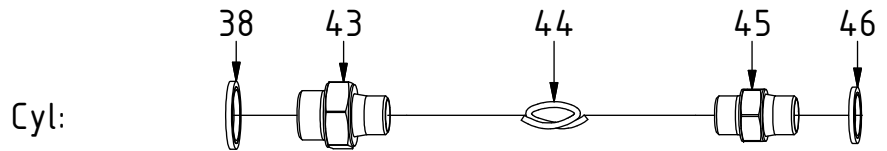
| POS | DESCRIPTION | PART | QTY | COMMENTS |
|-----|-------------------------------|--------|-----|----------|
| 38 | Washer GBR08 1/2 | 710704 | 11 | |
| 42 | Banjo bolt 4451-08 (1/2") | 710274 | 4 | |
| 43 | Adapter 135-06-08 | 710122 | 3 | |
| 44 | Hose cyl. acc. | 740909 | 1 | |
| 45 | Adapter 136-06-06 (3/8") | 710106 | 1 | |
| 46 | Washer GBR06 3/8 | 710703 | 2 | |
| 49 | Hose EC-Oil | 740702 | 2 | |
| 50 | Adapter 45-06-06 45° (3/8") | 710211 | 2 | |
| 51 | Adapter 135-06-12 (3/8"-3/4") | 710107 | 2 | |
| 52 | Washer GBR12 3/4 | 710706 | 2 | |



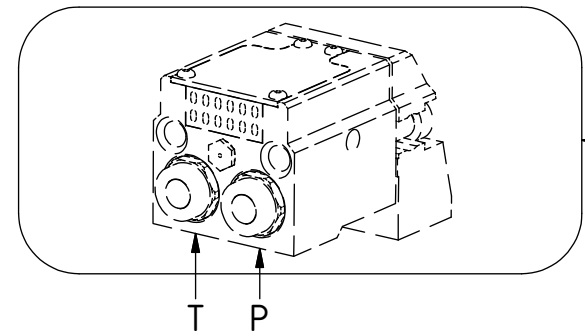
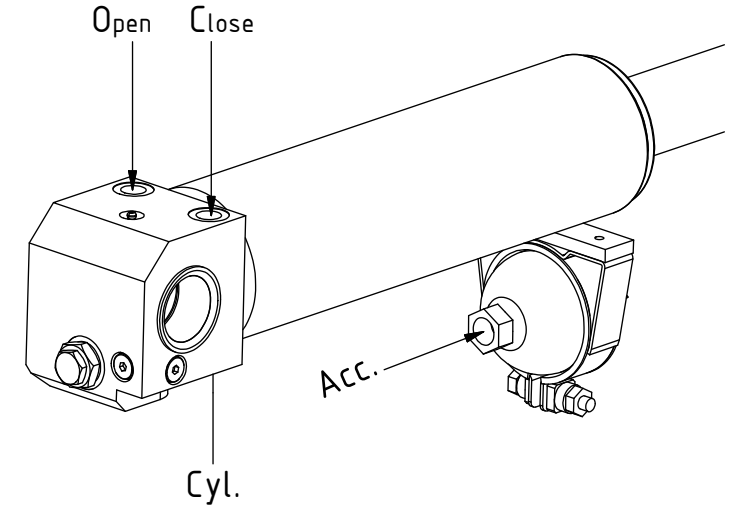
T



P

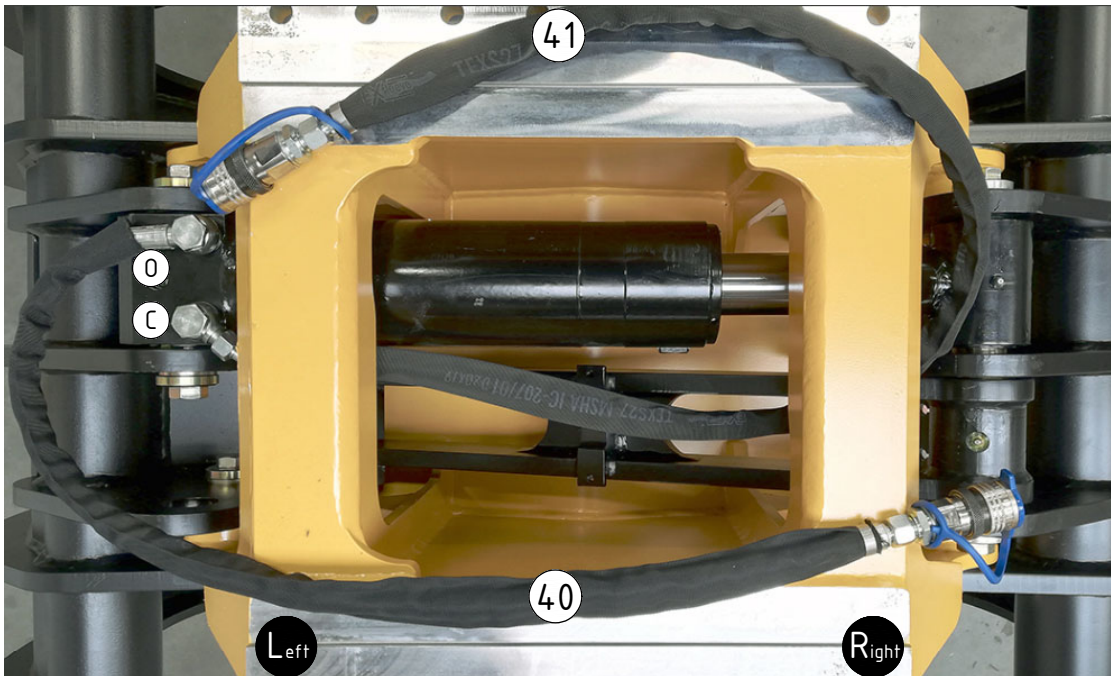
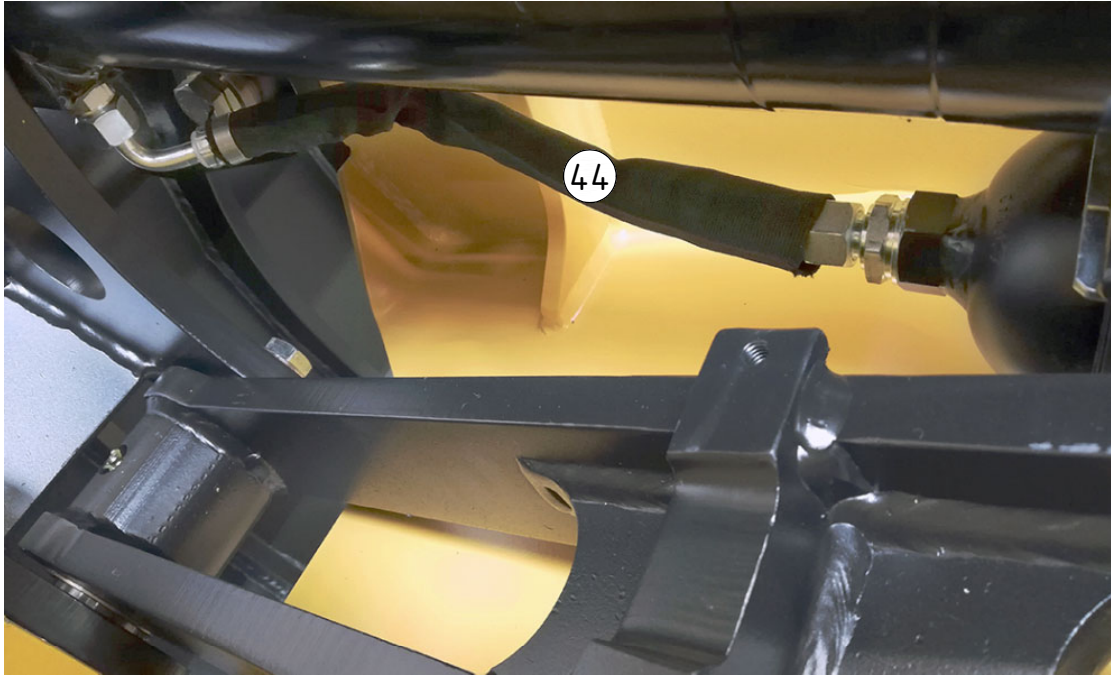


Acc.



See instruction, Standard components

| POS | DESCRIPTION | PART | QTY | COMMENTS |
|-----|----------------|--------|-----|----------|
| 40 | Hose O | 740902 | 1 | |
| 41 | Hose C | 740903 | 1 | |
| 44 | Hose cyl. acc. | 740909 | 1 | |
| 49 | Hose EC-Oil | 740702 | 2 | |



EC-Oil

