

SG19
COVERSHEET

Planned document changes:

Briefly:

No planned changes.

Document changes:

Date:	Change:	Rev. after change:
2024-04-09	EC-Oil added.	E
2023-09-27	Grease nipple updated.	D
2022-02-11	Side plate kits added.	C
2021-03-16	Expandertorques added.	B
2020-05-04	Adapters added.	A
2019-12-16	New document.	-

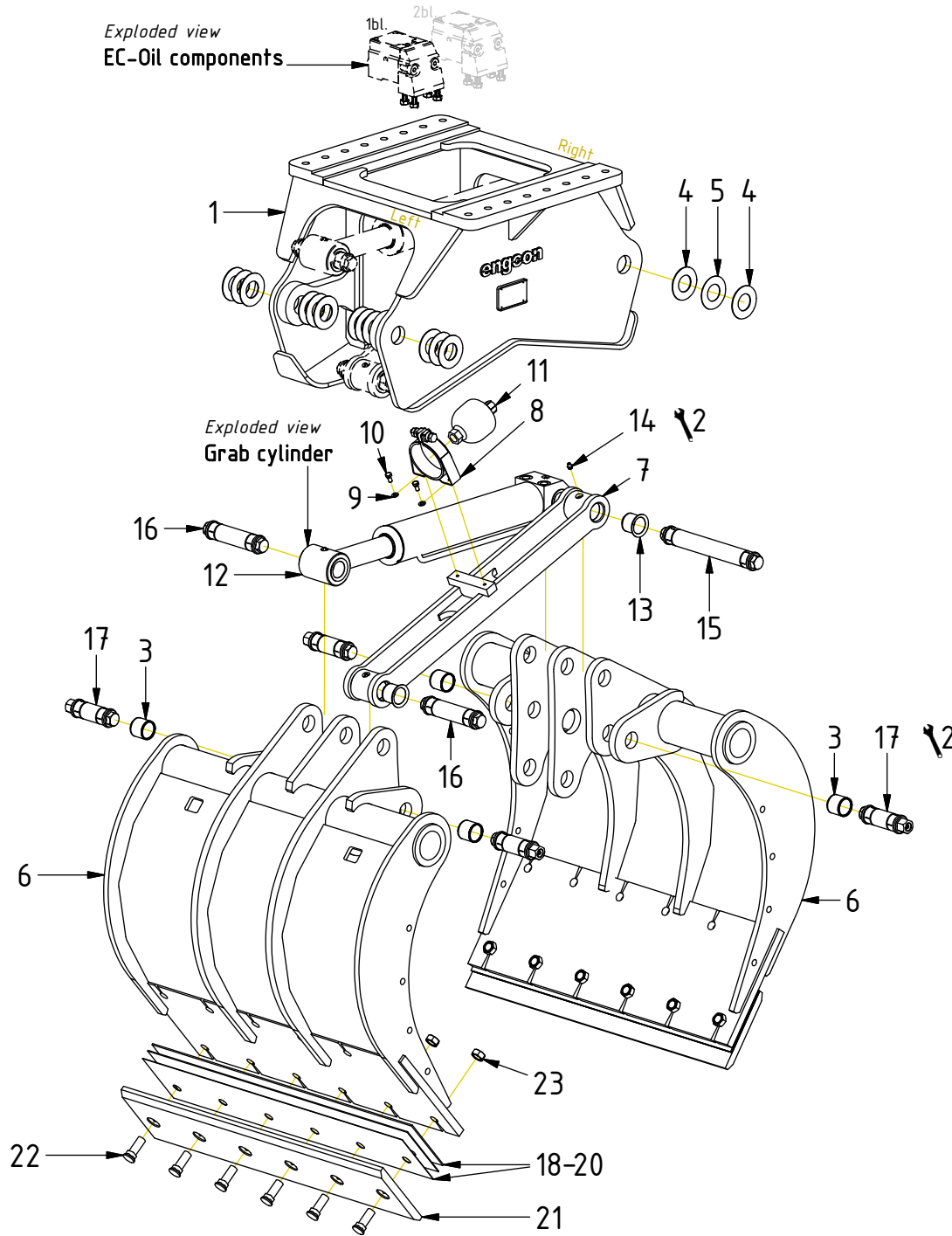
Readers note:

Indicates instruction.



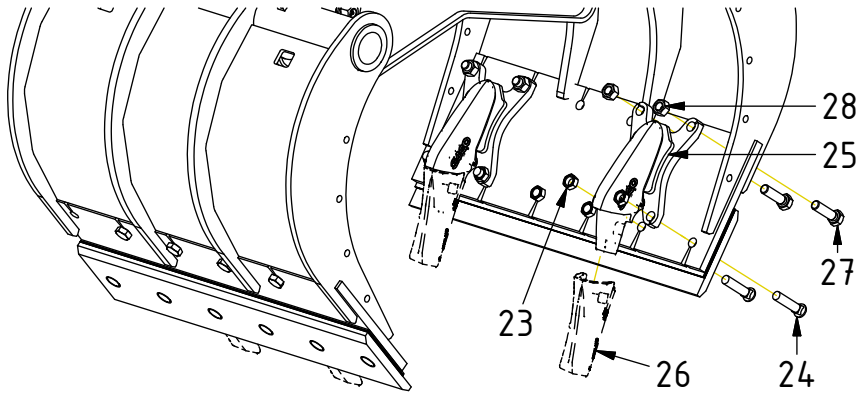
Represents Hose.

Dashed lines for overview, mounts
on other pages/assemblies.

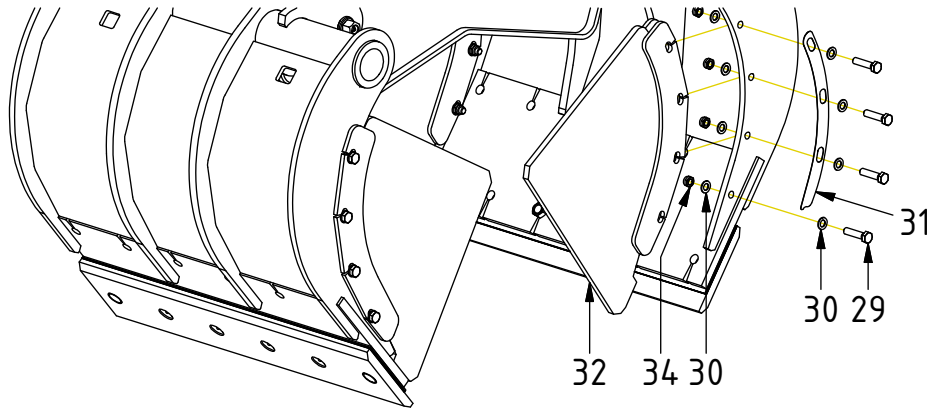


POS	DESCRIPTION	PART	QTY	COMMENTS
1	Main frame SG19	1051735	1	
2	Fill lubrication points with grease			
3	Bushing 40/44x40	630313	4	
4	Shim 50x40x2	1024931	16	Use if required
5	Shim 50x40x1.0	1024930	8	Use if required
6	Grab arm SG19	1051706	2	
7	Link SG19	1000944	1	
8	Clamp Bracket	790103	1	
9	Washer BRB 8,4x16x1,6 200 HV FZB	611005	2	
10	Screw M6S M8x16 8,8 FZB	610122	2	
11	Accumulator	790102	1	
12	Cylinder SG19	1028607	1	
13	Bushing 40/44/55x40	630404	4	
14	Grease nippel H1 M10x1	790166	2	
15	Expander axle \varnothing 40 L268	402904	1	Torque: 350Nm
16	Expander axle \varnothing 40 L144	402903	2	Torque: 350Nm
17	Expander axle \varnothing 40 L95	402905	4	Torque: 350Nm
18	Shim SG19 3mm	1051505	2	Use if required
19	Shims SG19 2mm	1024933	2	Use if required
20	Shims SG19 1mm	1024932	2	Use if required
21	Cutting edge SG19	201000	2	
22	Cutting steel bolt UNC 3/4"x57	660405	12	QTY: 4 for SG with teeth
23	Hex. Nut 3/4"	660403	12	

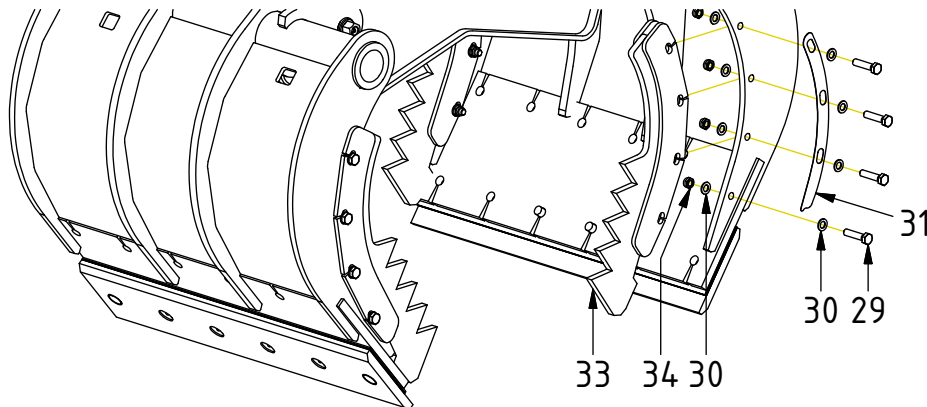
With teeth:



With closed sideplates:



With burned teeth:

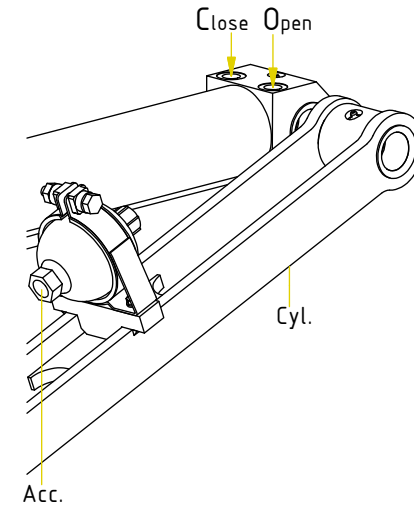
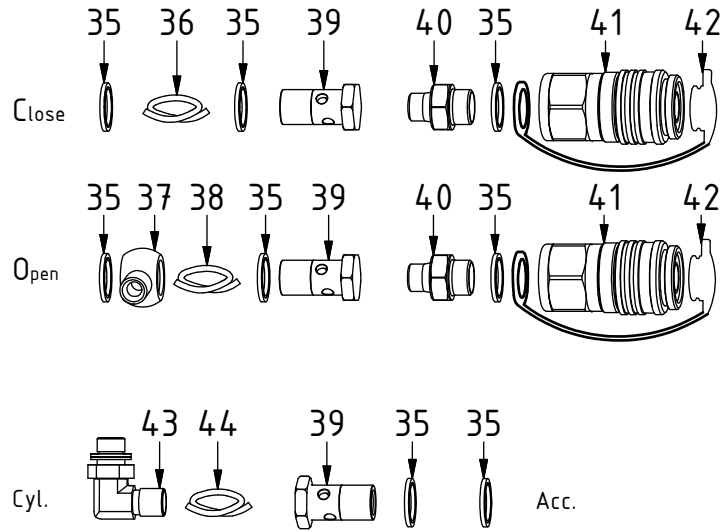


POS	DESCRIPTION	PART	QTY	COMMENTS
23	Hex. Nut 3/4"	660403	12	
24	Cutting steel bolt UNC 3/4"x89	660402	8	
25	Tooth SG19-ESCO-UL-U25-U25S	1051685	4	(POS.26 incl.)
26	Tooth tip ESCO ultralock U25S	1018510	4	
27	Screw M6S M20x70 8,8	610232	8	
28	Nut bez zabezp. M6M M20 8,8 FZB	610931	8	
29	Screw M6S M14x60 8,8 FZB	6000227	16	
30	Washer BRB 15x26x2	611008	32	
31	SG19 Closing plate spacer	1052616	4	
32	SG19 Closing plate	1051733	4	
33	SG19 Burned teeth	1053681	4	
34	Lock Nut M6M M14x2 8,8 FZB	610925	16	
48	Side plate kit-SG19	1055757	1	(POS.29-32, 34 incl.)
49	Side plate kit burned Teeth-SG19	1056118	1	(POS.29-31, 33-34 incl.)

Without EC-Oil

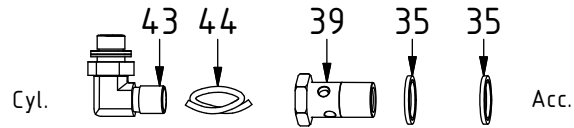
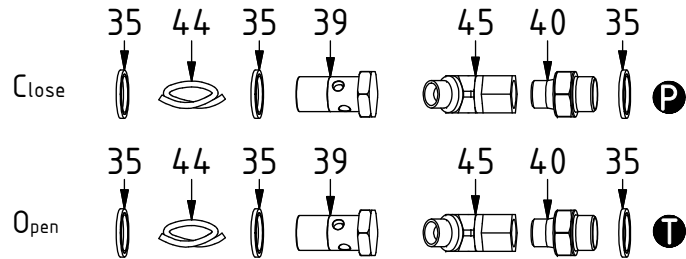
POS	DESCRIPTION	PART	QTY	COMMENTS
35	Washer GBR08 1/2	710704	8	QTY: 6 for ECO70 W
36	Hose Short	740902	1	
37	Adapter 830-08-06 (1/2"-3/8")	710193	1	
38	Hose Long	740903	1	
39	Banjo bolt 4451-08 (1/2")	710274	3	
40	Adapter 135-06-08	710122	2	
41	Quick coupler 1/2" female	790114	2	
42	Dust protection 1/2" female	790118	2	
43	Adapter 401-06-06 90° (3/8")	710152	1	
44	Hose cyl. acc. (& ECO)	740702	1	QTY: 3 for EC-Oil

POS in order of assembly

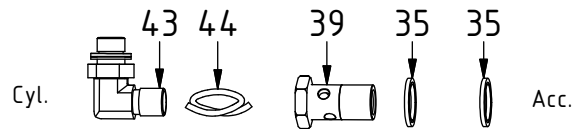
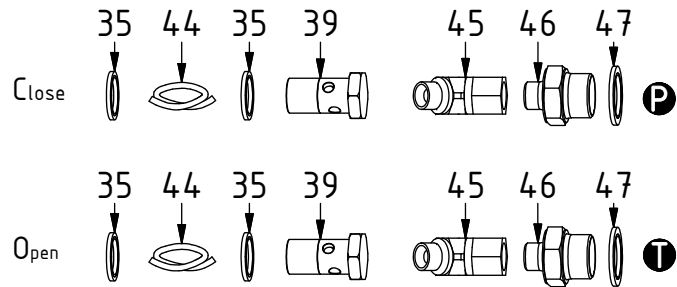


EC-Oil

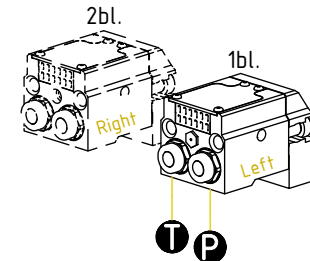
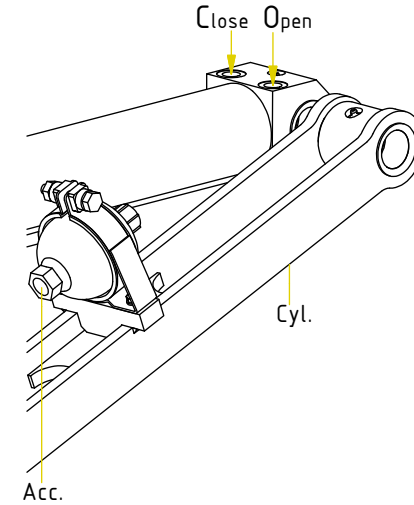
ECO60 W:



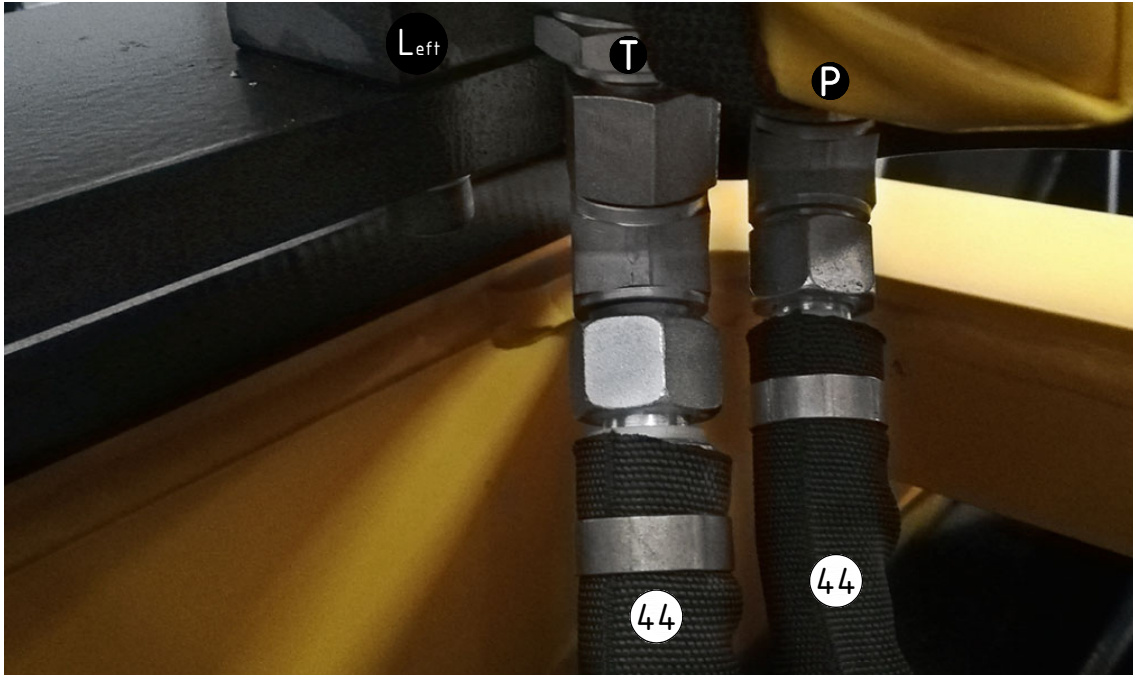
ECO70 W:



POS	DESCRIPTION	PART	QTY	COMMENTS
35	Washer GBR08 1/2	710704	8	QTY: 6 for ECO70 W
37	Adapter 830-08-06 (1/2"-3/8")	710193	1	
39	Banjo bolt 4451-08 (1/2")	710274	3	
40	Adapter 135-06-08	710122	2	
43	Adapter 401-06-06 90° (3/8")	710152	1	
44	Hose cyl. acc. (& ECO)	740702	1	QTY: 3 for EC-Oil
45	Adapter 45-06-06 45° (3/8")	710211	2	
46	Adapter 135-06-12 (3/8"-3/4")	710107	2	
47	Washer GBR12 3/4	710706	2	



EC-Oil:



POS	DESCRIPTION	PART	QTY	COMMENTS
36	Hose Short	740902	1	
38	Hose Long	740903	1	
44	Hose cyl. acc. (& ECO)	740702	1	QTY: 3 for EC-Oil

POS in order of assembly

Without EC-Oil:

