

Planned document changes:

Briefly:

No planned changes.

Document changes:

Date:	Change:	Rev. after change:
2024-04-19	EC-Oil added.	E
2022-01-14	Side plate kits added.	D
2021-03-16	Expander torques added.	C
2021-01-20	Quick couplers updated.	B
2020-08-21	Layout/irrelevant.	A
2019-12-12	New document.	-

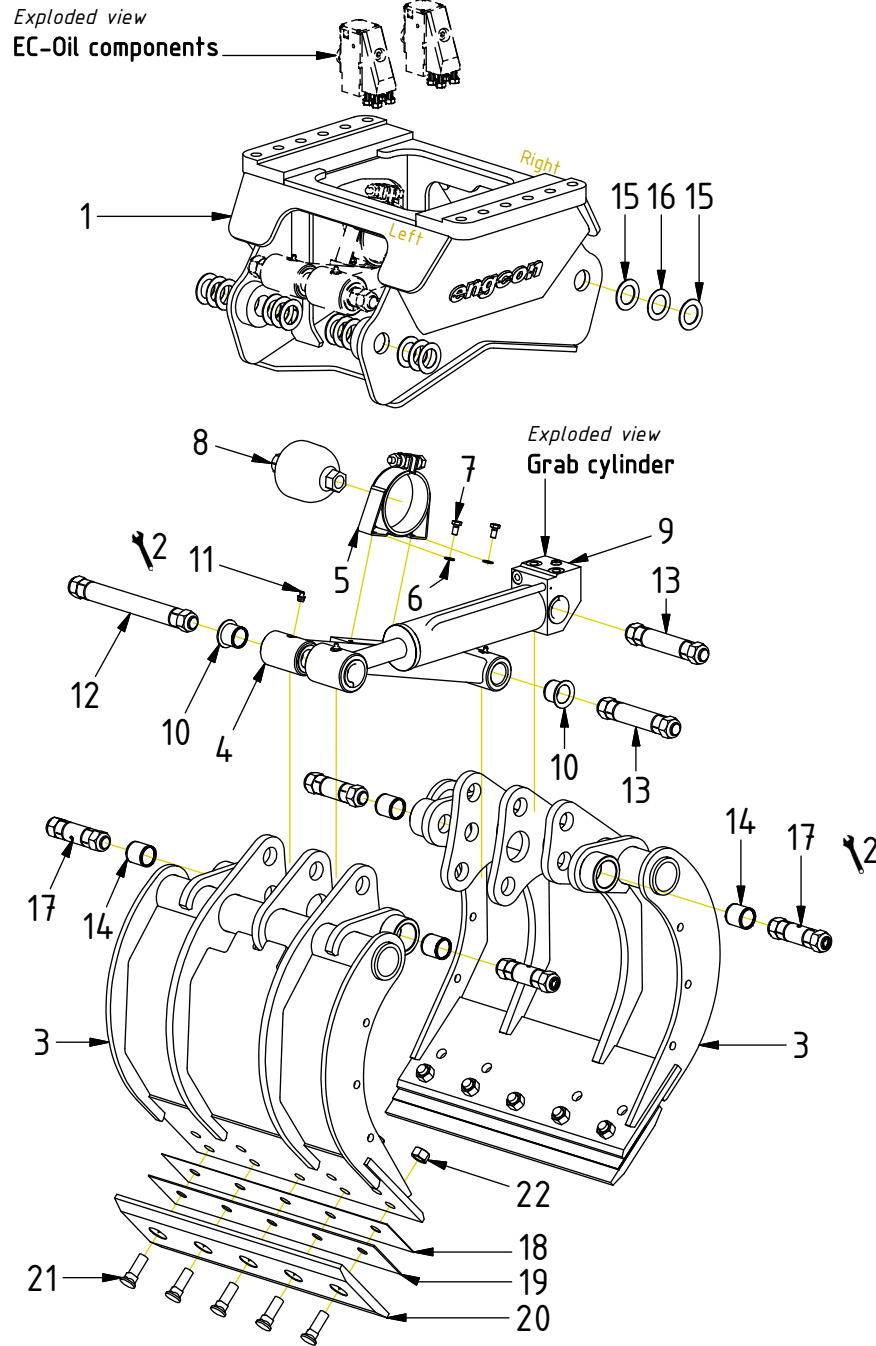
Readers note:

Indicates instruction.



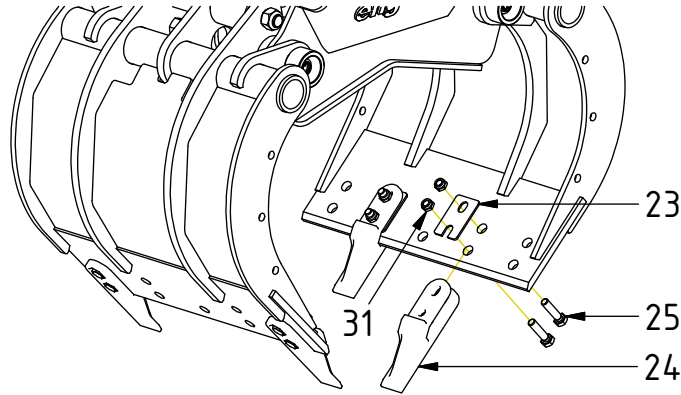
Represents Hose.

Dashed lines for overview, mounts
on other pages/assemblies.

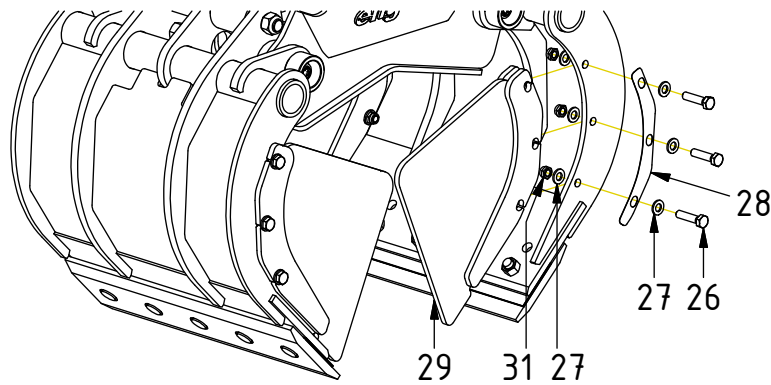


POS	DESCRIPTION	PART	QTY	COMMENTS
1	Main frame SG06	1051865	1	
2	Fill lubrication points with grease			
3	Grab arm SG19	1051706	2	
4	Link SG06	302042	1	
5	Clamp Bracket	790103	1	
6	Washer BRB 8,4x16x1,6 200 HV FZB	611005	2	
7	Screw M6S M8x16 8,8 FZB	610122	2	
8	Accumulator	790102	1	
9	Cylinder SG6	201020	1	
10	Bushing 30/34/45x30	630401	4	
11	Grease nipple H1 M10x1	790166	2	
12	Expander axle Ø30 L223	403065	1	Torque: 250Nm
13	Expander axle Ø30 L119	403064	2	Torque: 250Nm
14	Bushing 30/34x35	630314	4	
15	Shims 2mm	1024924	16	Use if required
16	Shims 1mm	1024925	8	Use if required
17	Expander axle Ø30 L223	403065	4	Torque: 250Nm
18	Shim Cutting edge 1mm	1024926	2	Use if required
19	Shim Cutting edge 2mm	1026919	2	Use if required
20	Cutting edge	302086	2	
21	Cutting steel bolt UNC 5/8"x52	660406	10	
22	Hex. Nut 5/8"	660407	10	

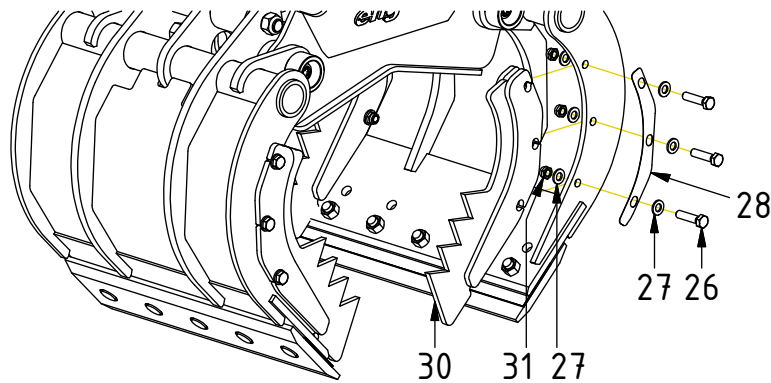
With teeth:



With closed sideplates:



With burned teeth:

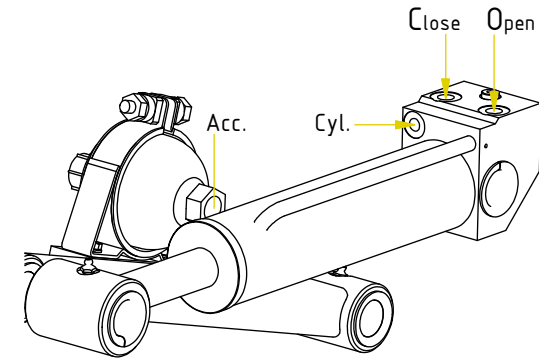
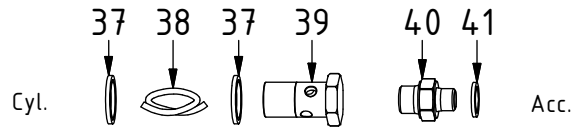
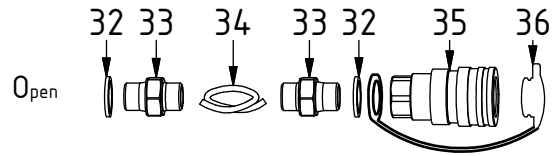
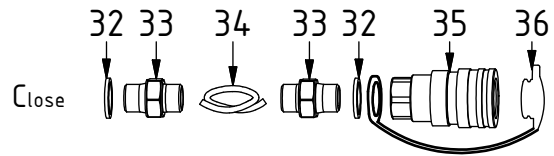


POS	DESCRIPTION	PART	QTY	COMMENTS
23	Shim cutting teeth	403226	4	
24	Tooth SG06	660102	4	
25	Screw M6S M12x50 10.9 untreated	610168	8	
26	Screw M6S M12x50 8,8 FZB	6000265	12	
27	Washer BRB 13x24x2,5 200 HV FZB	611007	24	
28	SG06 Sideplate spacer	1055432	4	
29	SG06 Side plate	1051851	4	
30	SG06 Burned teeth	1053669	4	
31	Lock Nut M6M M12x1,75 8,8 FZB	610924	20	
46	Side plate kit-SG06	1055755	1	(POS.26-29, 31 incl.)
47	Side plate kit burned Teeth-SG06	1056283	1	(POS.26-28, 30-31 incl.)

Without EC-Oil

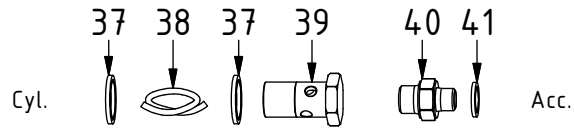
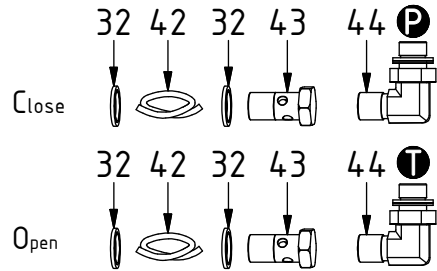
POS	DESCRIPTION	PART	QTY	COMMENTS
32	Washer GBR06 3/8	710703	4	QTY: 6 for ECO45/50 W
33	Adapter 136-06-06 (3/8")	710106	4	QTY: 2 for ECO45/50 W
34	Hose cyl.	740910	2	
35	Quick coupler 3/8" 3810	790112	2	
36	Dust protection 1/4" female	790116	2	
37	Washer GBR08 1/2	710704	2	
38	Hose cyl. acc.	740702	1	
39	Banjo bolt 4451-08 (1/2")	710274	1	
40	Adapter 135-04-06 (1/4"-3/8")	710118	1	
41	Washer GBR04 1/4	710702	1	

POS in order of assembly

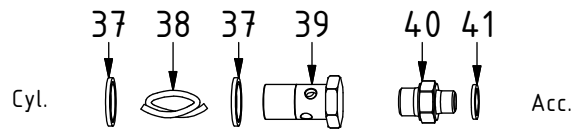
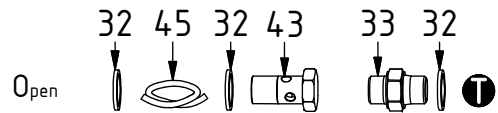
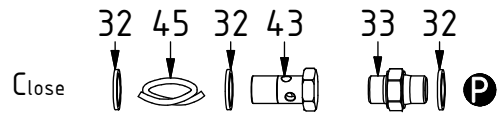


EC-Oil

ECO40 W:

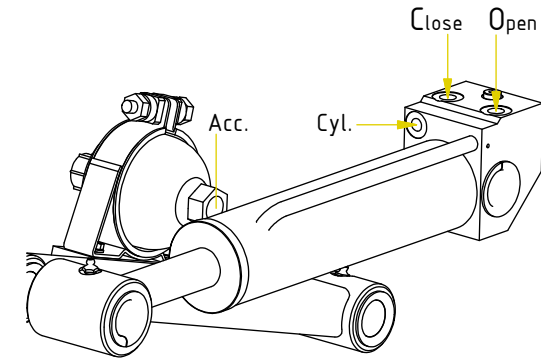


ECO45/50 W:



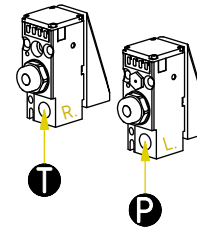
POS	DESCRIPTION	PART	QTY	COMMENTS
32	Washer GBR06 3/8	710703	4	QTY: 6 for ECO45/50 W
33	Adapter 136-06-06 (3/8")	710106	4	QTY: 2 for ECO45/50 W
37	Washer GBR08 1/2	710704	2	
38	Hose cyl. acc.	740702	1	
39	Banjo bolt 4451-08 (1/2")	710274	1	
40	Adapter 135-04-06 (1/4"-3/8")	710118	1	
41	Washer GBR04 1/4	710702	1	
42	Hose ECO40 W	7001625	2	
43	Banjo bolt 4451-06 (3/8")	710272	2	
44	Adapter 401-06-06 90° (3/8")	710152	2	
45	Hose ECO45/50 W	740914	2	

POS in order of assembly

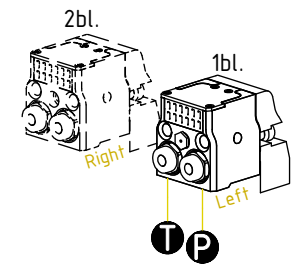


EC-Oil:

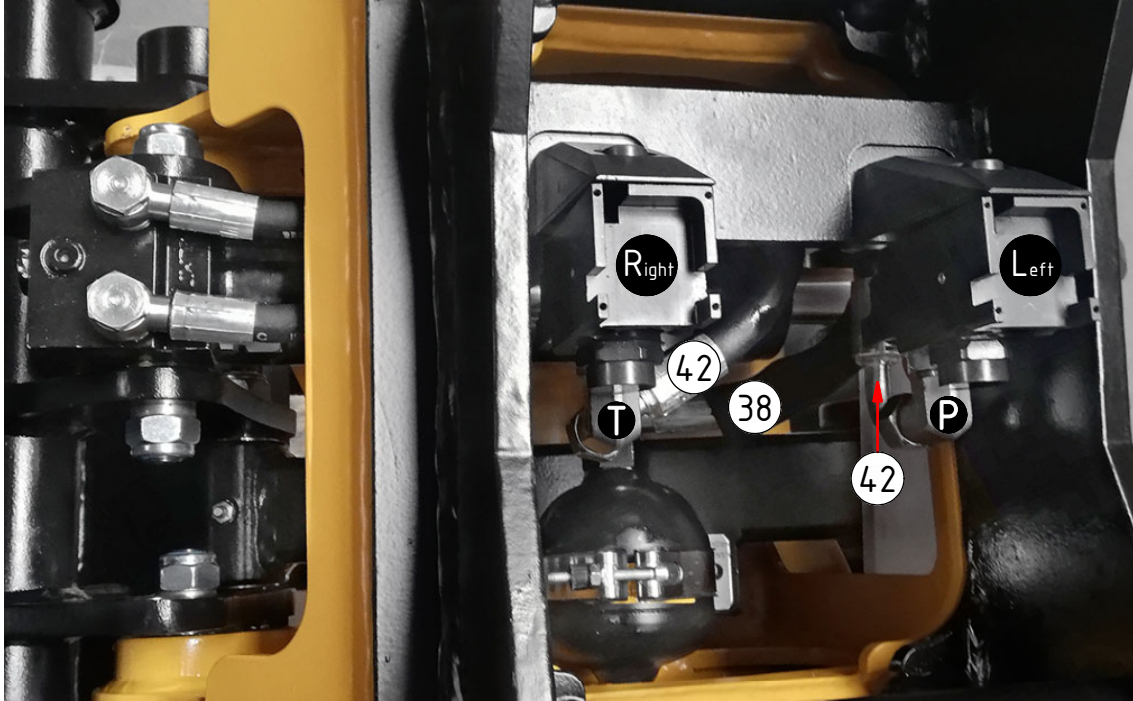
ECO40 W:



ECO45 W:

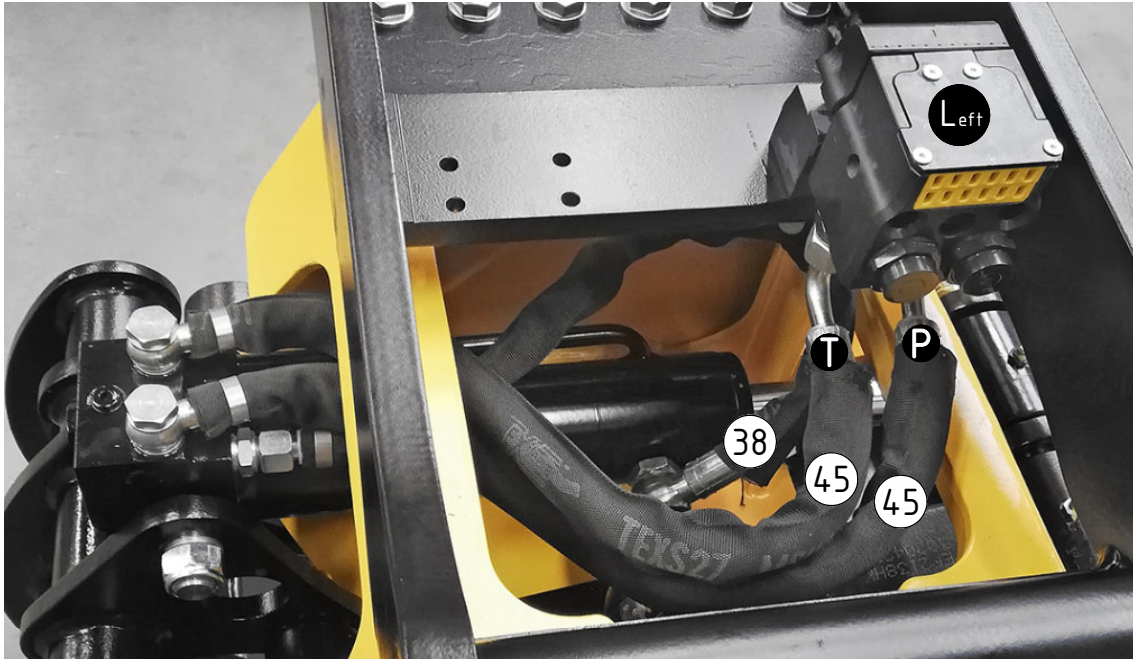


ECO40 W:



POS	DESCRIPTION	PART	QTY	COMMENTS
34	Hose cyl.	740910	2	
38	Hose cyl. acc.	740702	1	
42	Hose ECO40 W	7001625	2	
45	Hose ECO45/50 W	740914	2	

ECO45/50 W:



Without ECO:

