

# SG06

## COVERSHEET

### Planned document changes:

**Briefly:**

Correct part no for POS.8: 790166.

Add ECO40:

2x7001625, 2x710152, 2x710272, 4x710703.

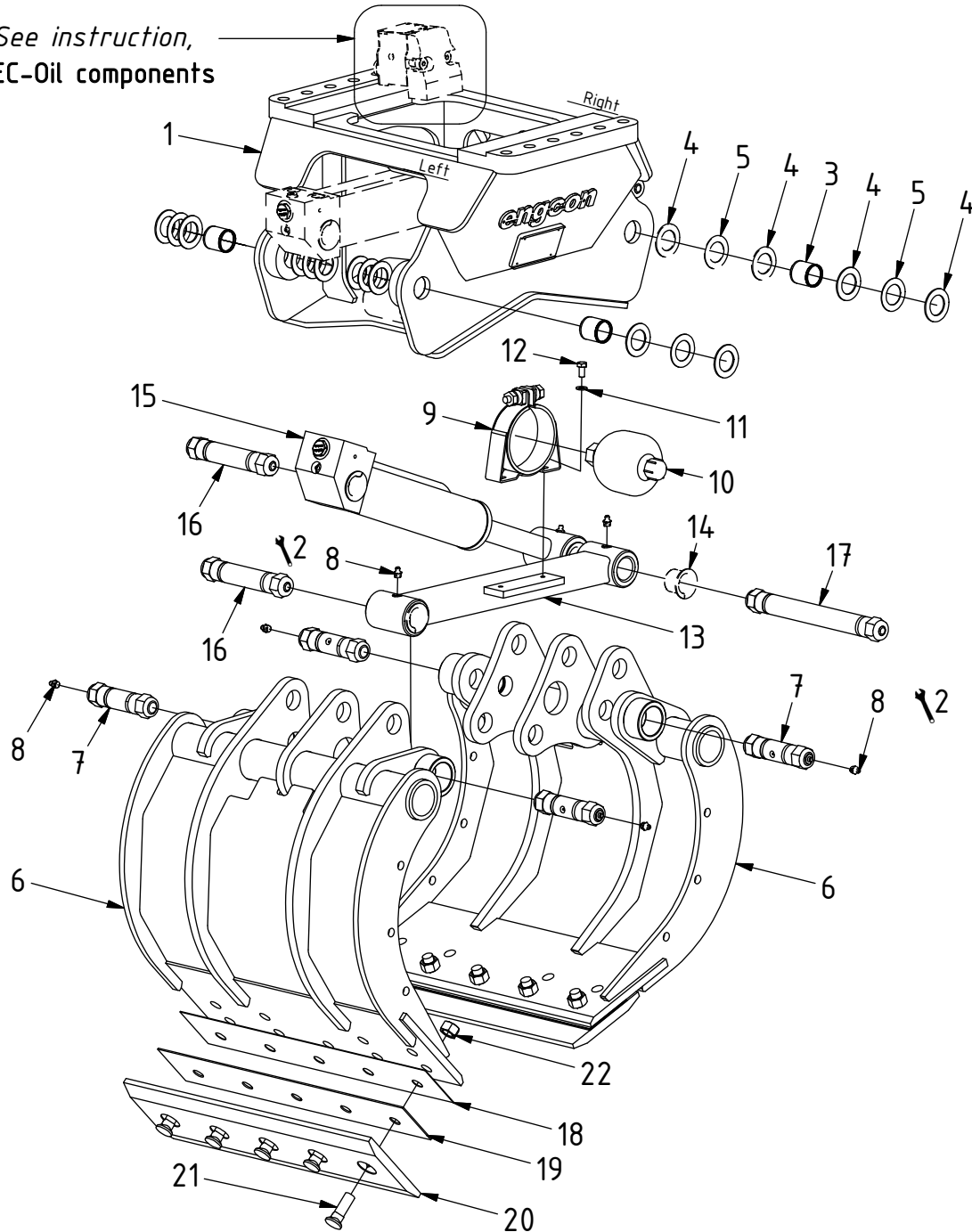
Add ECO45/50:

2x740914, 2x710106, 2x710703, 2x710272, 4x710703.

### Document changes:

Date:	Change:	Rev. after change:
2022-01-14	Side plate kits added.	D
2021-03-16	Expanders torques added.	C
2021-01-20	Quick couplers replaced.	B
2020-08-21	Part QTY updated.	A
2019-12-12	New instruction.	-

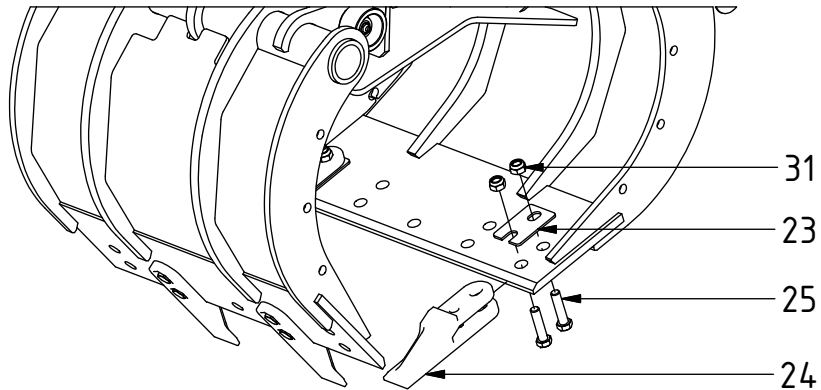
See instruction,  
EC-Oil components



POS	DESCRIPTION	PART	QTY	COMMENTS
1	Main frame SG06	1051865	1	
2	Fill lubrication points with grease			
3	Bushing 30/34x35	630314	4	
4	Shims SG06 2mm	1024924	16	Use if required
5	Shims SG06 1mm	1024925	8	Use if required
6	Arm SG06	1051846	2	
7	Expander Pin	403063	4	Torque: 250Nm. (POS.8 included)
8	Grease nipple M10x1	711410	6	
9	Clamp Bracket	790103	1	
10	Accumulator	790102	1	
11	Flat Washer	611005	2	
12	Hex Head Screw 8x16	610122	2	
13	Link SG06	302042	1	(POS.8, 14 included)
14	Bushing 30/35/45x30	630401	4	
15	Cylinder SG6	201020	1	See "Grab cylinders"
16	Expander Pin	403064	2	Torque: 250Nm
17	Expander Pin	403065	1	Torque: 250Nm
18	Shims SK05 1mm	1024926	2	Use if required
19	Shim SK05 2mm	1026919	2	Use if required
20	Cutting edge SK05	302086	2	
21	Screw 5/8" L=52	660406	10	QTY: 6 for SG with teeth
22	Hex. Nut 5/8"	660407	10	QTY: 6 for SG with teeth

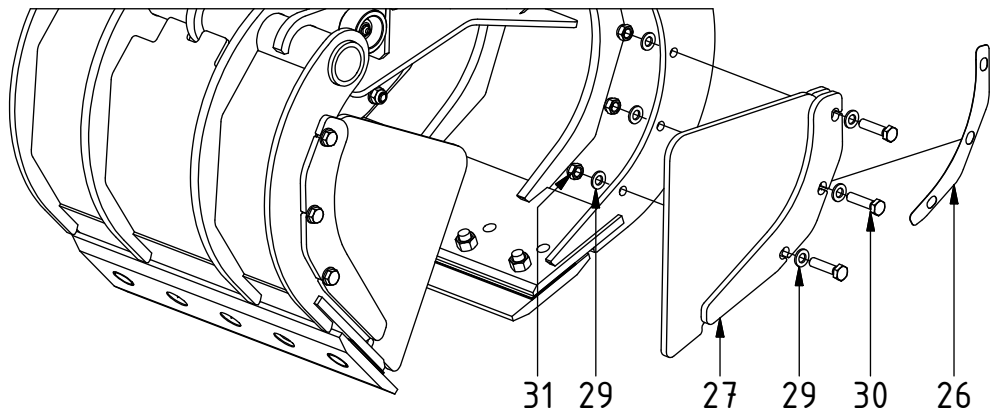
POS in order of assembly

With teeth:

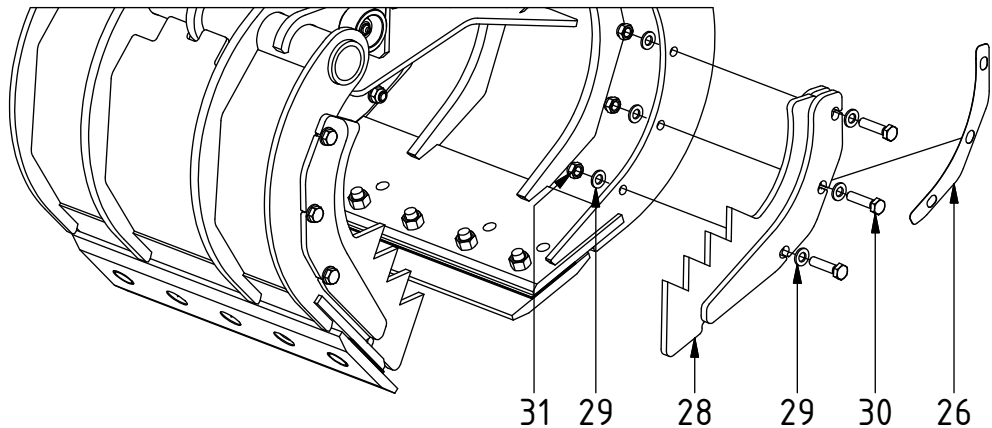


POS	DESCRIPTION	PART	QTY	COMMENTS
23	Shim cuttingteeth	403226	4	
24	Tooth SG06	660102	4	
25	Hex Head Screw 12x50	610168	8	
26	SG06 Sideplate Spacer	1055432	4	
27	SG06 - Closure plate	1051851	4	
28	SG06 - Burned teeth	1053669	4	
29	Washer BRB 13x24x2,5 140 HV FZB	611007	24	
30	M6S M12x50	6000265	12	
31	Lock Nut M6M M12x1,75 8,8 FZB	610924	8	
32	Side plate kit-SG06	1055755	1	(POS.26-27, 29-31 included)
33	Side plate kit burned Teeth-SG06	1056283	1	(POS.26, 28-31 included)

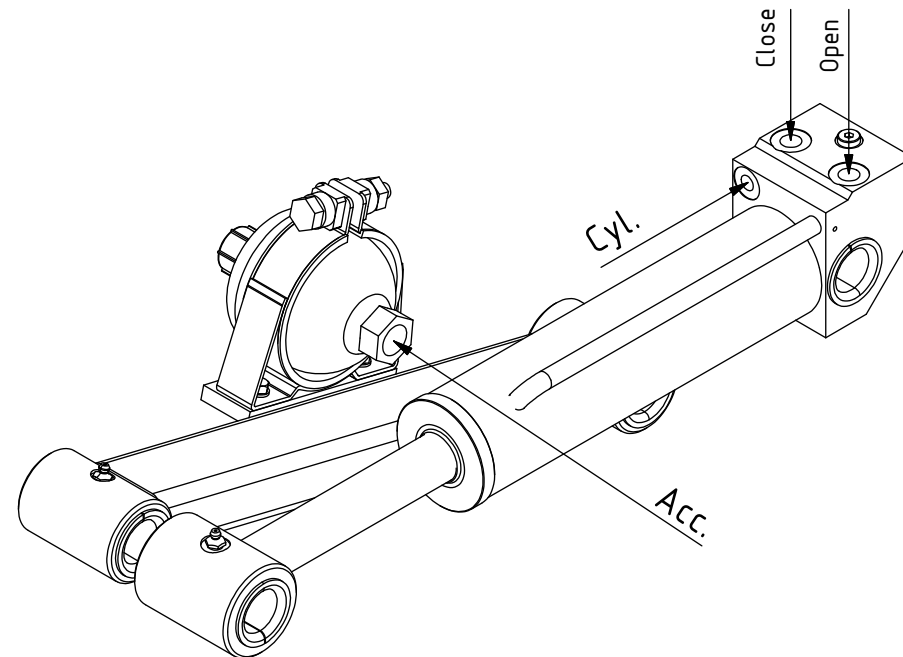
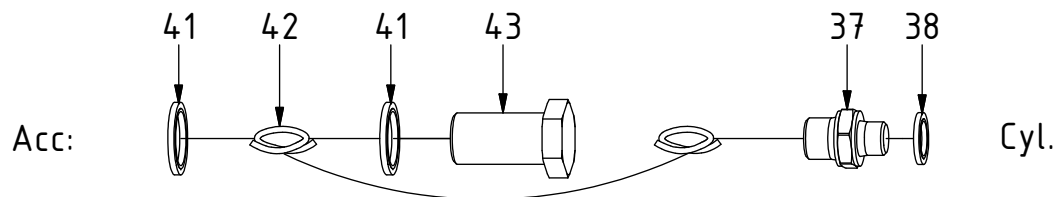
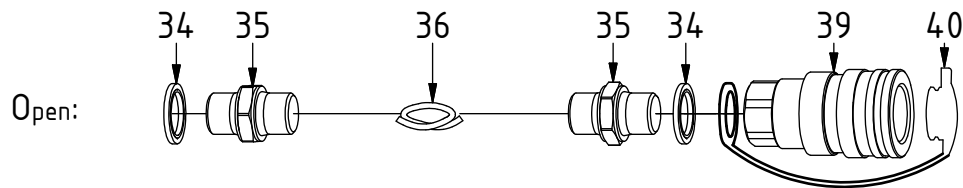
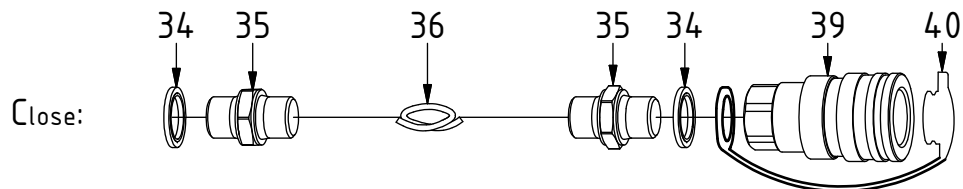
With closed sideplates:



With burned teeth:



POS	DESCRIPTION	PART	QTY	COMMENTS
34	Washer GBR06 3/8	710703	2	
35	Adapter 3/8"	710106	2	
36	Hose Lock	740910	2	
37	Adapter 1/4" male - 3/8" male	710118	1	
38	Washer GBR04 1/4	710702	3	
39	Quick coupler 3/8" 3810	790112	2	
40	Dust protection 1/4" female	790116	2	
41	Sealing washer 1/2"	710704	2	
42	Hose cyl. acc.	740702	1	
43	Banjobolt	710274	1	



POS	DESCRIPTION	PART	QTY	COMMENTS
36	Hose Lock	740910	2	
42	Hose cyl. acc.	740702	1	

