

COVERSHEET

Planned document changes:

Briefly:

No planned changes.

Document changes:

Date:

Change:

Rev.

after change:

2019-10-15

New instruction.

-

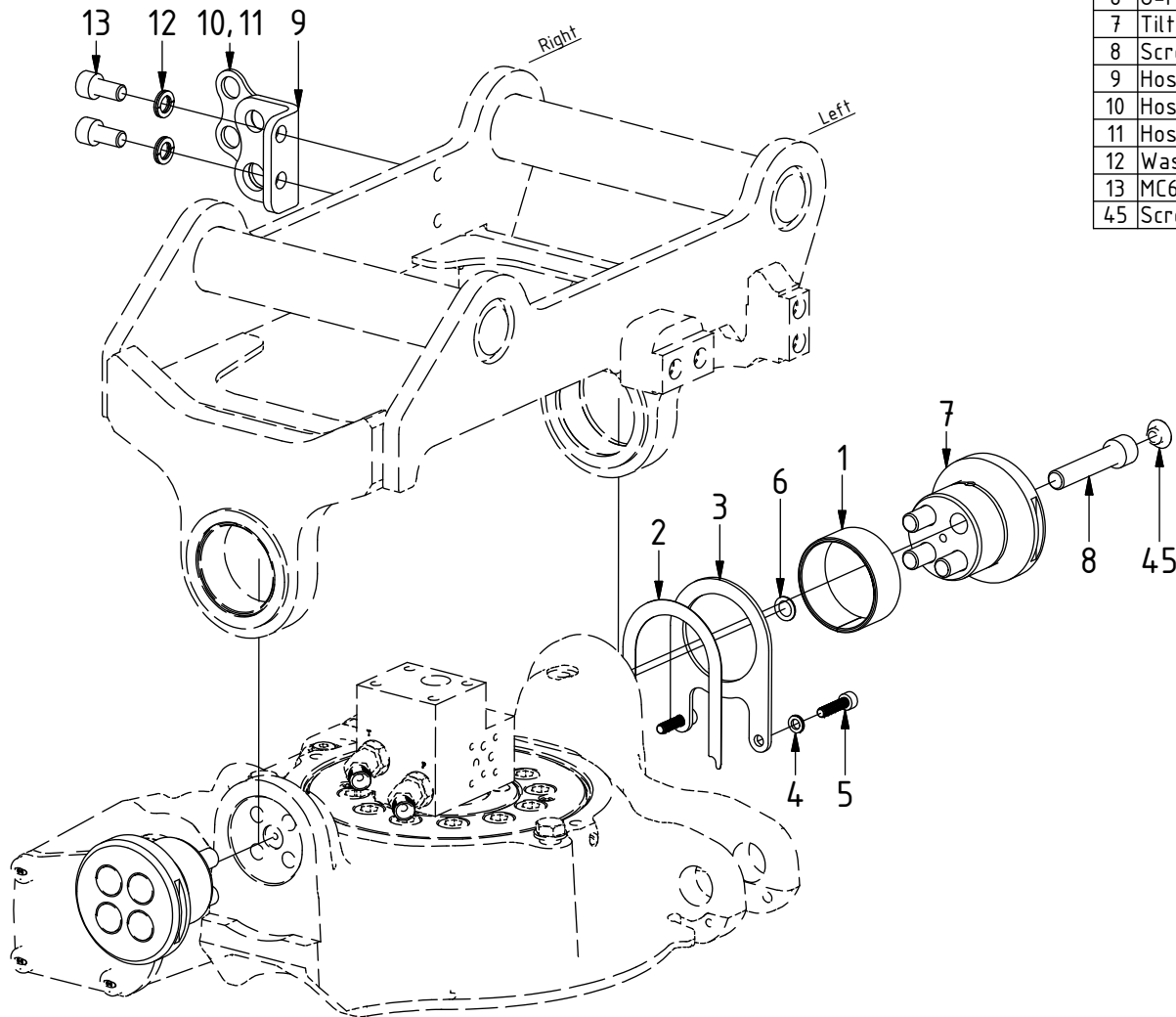
EC204 - Std Top part components

Drawing No: 1055468 /-

POS in order of assembly

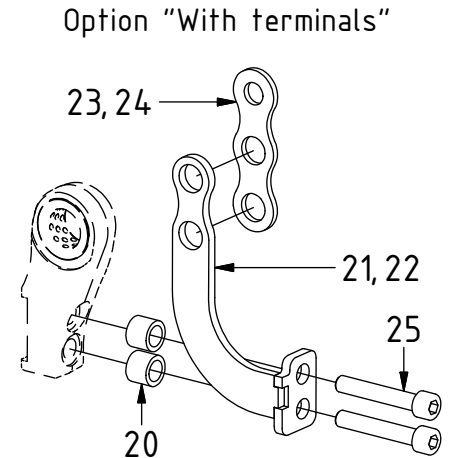
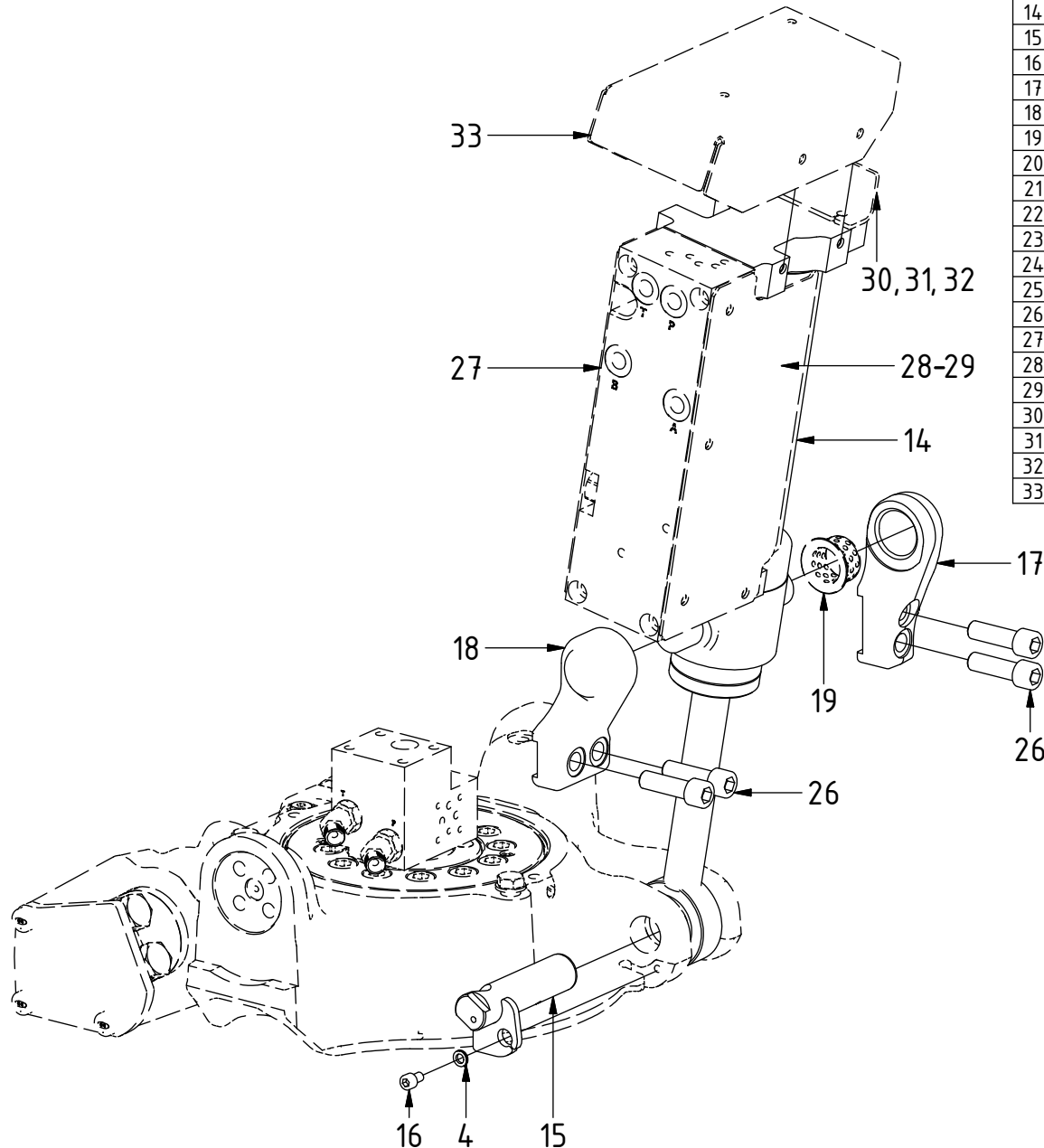
POS	DESCRIPTION	PART	QTY	COMMENTS
1	Bushing 55/60x25 WB802	6000004	2	(Included in Top part)
2	Shims tilt axle	1027820	1	Use if required
3	Axial washer tilt	1027785	1	
4	Washer NL 6mm	611039	15	
5	Screw MC6S 6x25	6000034	2	
6	O-ring 9,92x2,62	710968	2	
7	Tilt axle $\varnothing 55$	1016576	2	
8	Screw MC6S 12x60	610480	11	Torque: 136Nm
9	Hose terminal EC204 right	1045070	1	For option Right+Left
10	Hose terminal 2x3/8, 2x1/4	1026096	1	For ss0
11	Hose terminal 2x3/8, 1x1/4	1011565	1	For ss9SQ
12	Washer NL 10mm	611041	4	
13	MC6S M10x20 12.9	610451	2	
45	Screw Cover M12 Clamping half	1018621	8	Part of make up

FEED Right+Left:



EC204 - Std Top part components

POS	DESCRIPTION	PART	QTY	COMMENTS
4	Washer NL 6mm	611039	15	
14	Tilt cylinder EC204	1029849	1	See "Tilt cylinders"
15	Cylinder axle	1016572	1	
16	MC6S 6x10	611512	1	
17	Yoke EC204 rear compl.	1036606	1	(POS.19 included)
18	Yoke EC204 front compl.	1029052	1	(POS.19 included)
19	Bushing BWG-F 25/31/38/1,5x20	6000001	2	
20	Spacer yD=19 t=3 L=15	1009999	2	
21	Hose terminal EC204 Left - UNI	1053333	1	For option "With terminals"
22	Hose terminal EC204 Left - S4.0	1053732	1	For option "With terminals"
23	Terminal extender 1x1/4"	1011454	1	For option "With terminals"
24	Terminal extender 2x1/4"	1055284	1	For option "With terminals"
25	MC6S 10x60 12.9 Geomet ISO4762	611503	6	Torque: 136Nm
26	MC6S M12x4.0 12.9	610572	4	Torque: 136Nm
27	Valve block tilt cylinder Complete	7000635	1	Part of control system
28	Cover tilt cylinder Left	1029783	1	Part of control system
29	Cover tilt cylinder Right	1029781	1	Part of control system
30	Coverplate ss10	1029826	1	Part of control system
31	Coverplate ss9/ss0	1033484	1	Part of control system
32	Coverplate ss9/ss0 R+L	1043991	1	Part of control system
33	Cover tilt cylinder Top	1029902	1	Part of control system



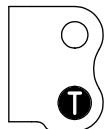
EC204 - Std Top part components

Drawing No: 1055468 /-

- T** = 34
- R** = 38, 42
- L** = 38
- filT** = 38

FEED
1/4" Right+Left

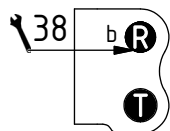
ss10



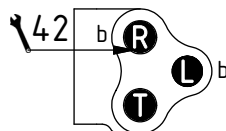
POS	DESCRIPTION	PART	QTY	COMMENTS
34	Use washer, adapter, nut: POS.35, 36, 37			
35	Washer NL 16mm	611044	1	
36	Adapter 1260-06-32 (3/8")	710242	1	
37	Counternut 1270-06 (3/8")	710252	1	
38	Use washer, adapter, nut: POS.39, 40, 41			QTY depends on config. (1-2)
39	Washer NL 1/2"	611096	1	
40	Adapter 1260-04-04 (1/4")	710240	1	
41	Counternut 1270-04 (1/4")	710250	1	
42	Use o-ring, washer, adapter, nut: POS.43, 39, 44, 41			
43	O-ring 12,37x2,62	710961	1	
44	Adapter 1260-04-40 (1/4")	710261	1	
	Attach feed hoses from control system			(a & b represents channels from block)

POS in order of assembly

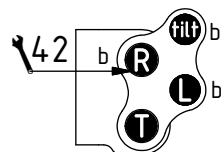
ss9IQ



ss9SQ



ss0



EC204 - Std Top part components

FEED
1/4" Right+Left

POS	DESCRIPTION	PART	QTY	COMMENTS
46	Cable tie 7,8x360	1021587	1	
	Attach feed hoses from control system			(a & b represents channels from block)

