

COVERSHEET

Planned document changes:

Briefly:

Emphasise importance of the comment on seal POS.1: 'Face groove toward top part'

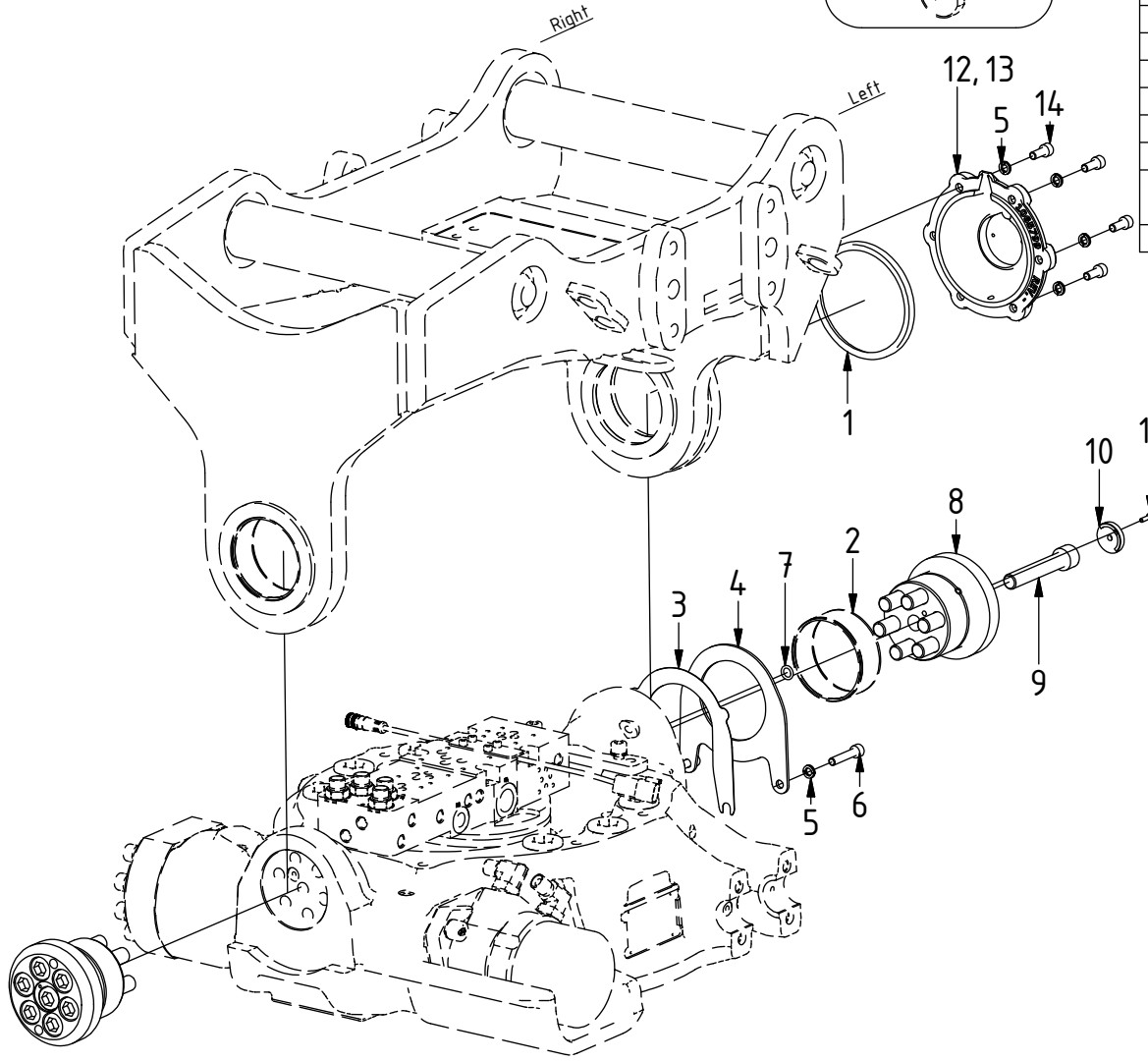
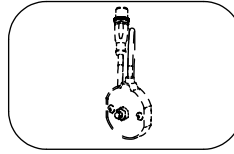
Document changes:

Date:	Change:	Rev. after change:
2022-09-07	Seal for top part clarified.	D
2022-05-17	Details for EC219S added. (EC219 with T/R sensors).	C
2021-03-31	Option Wide added.	B
2020-10-13	Screw lengths corrected. Photos added.	A
2019-09-11	New instruction.	-

EC219 QSM - Std Top part components

POS in order of assembly

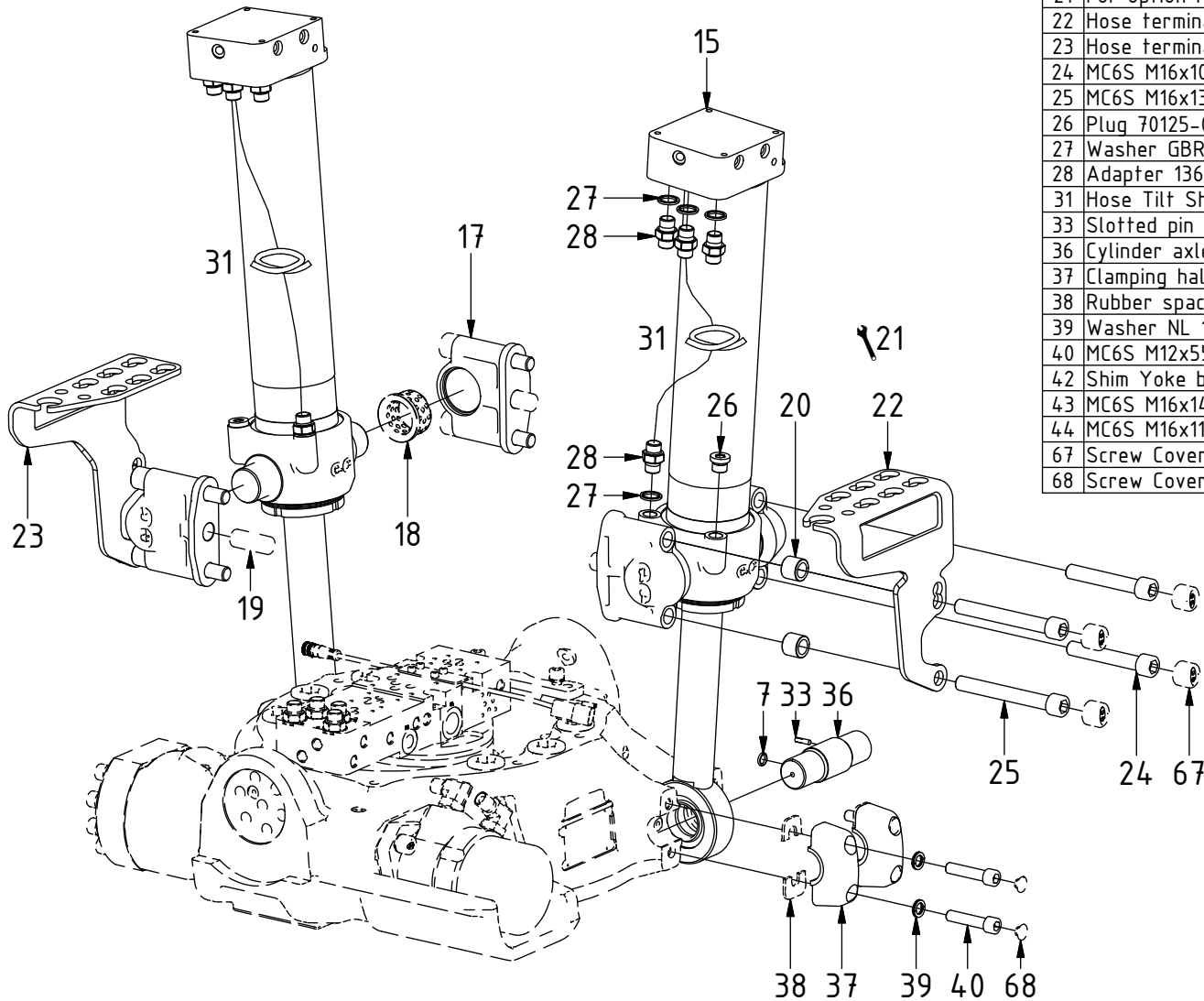
See instruction,
T/R Sensors



POS	DESCRIPTION	PART	QTY	COMMENTS
1	Seal PAK-110x125x7-L	1064201	1	NB! Face groove toward top part
2	Bushing Ø85/90x35 WB802	630321	2	(Included in Top part)
3	Shims tilt axle	1016420	4	Use if required
4	Axial washer tilt	1016417	1	
5	Washer NL 8mm	611040	16	QTY: 8 part of Tilt cylinder
6	MC6S M8x40 12.9 ZFSHL	6000145	2	
7	O-ring 9,92x2,62	710968	4	
8	Tilt axle EC219	1064196	2	
9	MC6S M16x90 12.9 ZFSHL	6000151	14	Torque: 333Nm
10	Magnet spacer tilt axle	1064202	1	For EC219S
11	MC6S M4x14 8,8 FZB	6000355	1	For EC219S
12	Cover tiltaxle EC219 Cast	1065799	1	For EC219S
13	Protection plate tiltaxle EC219	1064717	1	For EC219/EC219PS Face the groove downwards
14	MC6S M8x20 12.9 ZFSHL	6000157	6	

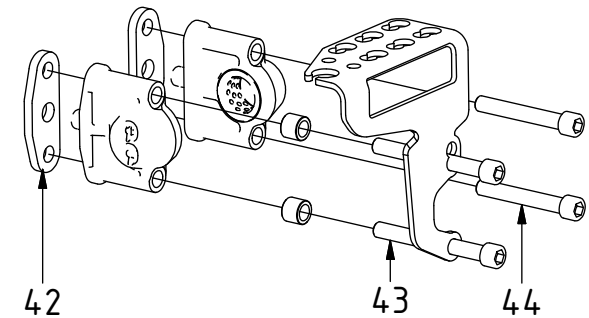
EC219 QSM - Std Top part components

Standard



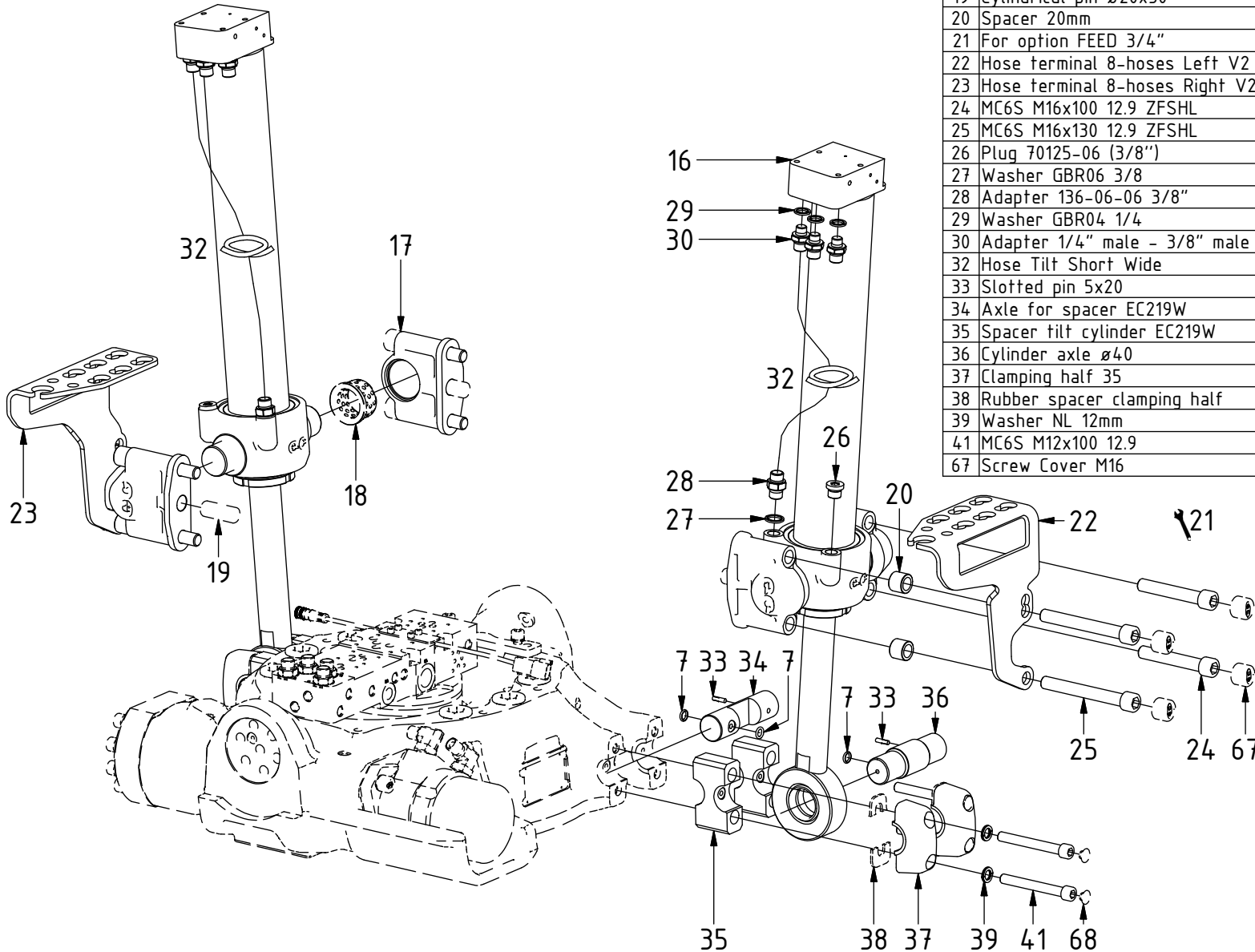
POS	DESCRIPTION	PART	QTY	COMMENTS
7	O-ring 9,92x2,62	710968	4	
15	Tilt cylinder EC219	1019892	2	See "Tilt cylinders"
17	Yoke EC219 complete	1017151	4	(POS.18-19 included)
18	Bushing 40/50/55/5-30	631001	4	
19	Cylindrical pin \varnothing 20x50	650211	4	
20	Spacer 20mm	1023777	4	
21	For option FEED 3/4"			See "Top part"
22	Hose terminal 8-hoses Left V2	1047137	1	
23	Hose terminal 8-hoses Right V2	1047138	1	
24	MC6S M16x100 12.9 ZFSHL	6000156	4	Torque: 333Nm
25	MC6S M16x130 12.9 ZFSHL	6000154	4	Torque: 333Nm
26	Plug 70125-06 (3/8")	711504	2	
27	Washer GBR06 3/8	710703	8	
28	Adapter 136-06-06 3/8"	710106	8	
31	Hose Tilt Short	742606	2	
33	Slotted pin 5x20	640413	2	
36	Cylinder axle \varnothing 40	1016398	2	
37	Clamping half 35	1016393	4	(POS.38 included)
38	Rubber spacer clamping half	1016439	4	
39	Washer NL 12mm	611042	8	
40	MC6S M12x55 12.9 ZFSHL	6000155	8	Torque: 136Nm
42	Shim Yoke bracket	1007041	4	For option Shimmed Tilt cylinder
43	MC6S M16x140 12.9 ZFSHL	6000152	4	Torque: 333Nm
44	MC6S M16x110 12.9 ZFSHL	6000253	4	Torque: 333Nm
67	Screw Cover M16	611302	8	Part of make up
68	Screw Cover M12 Clamping half	1018621	8	Part of make up

Shimmed Tilt cylinder:



EC219 QSM - Std Top part components

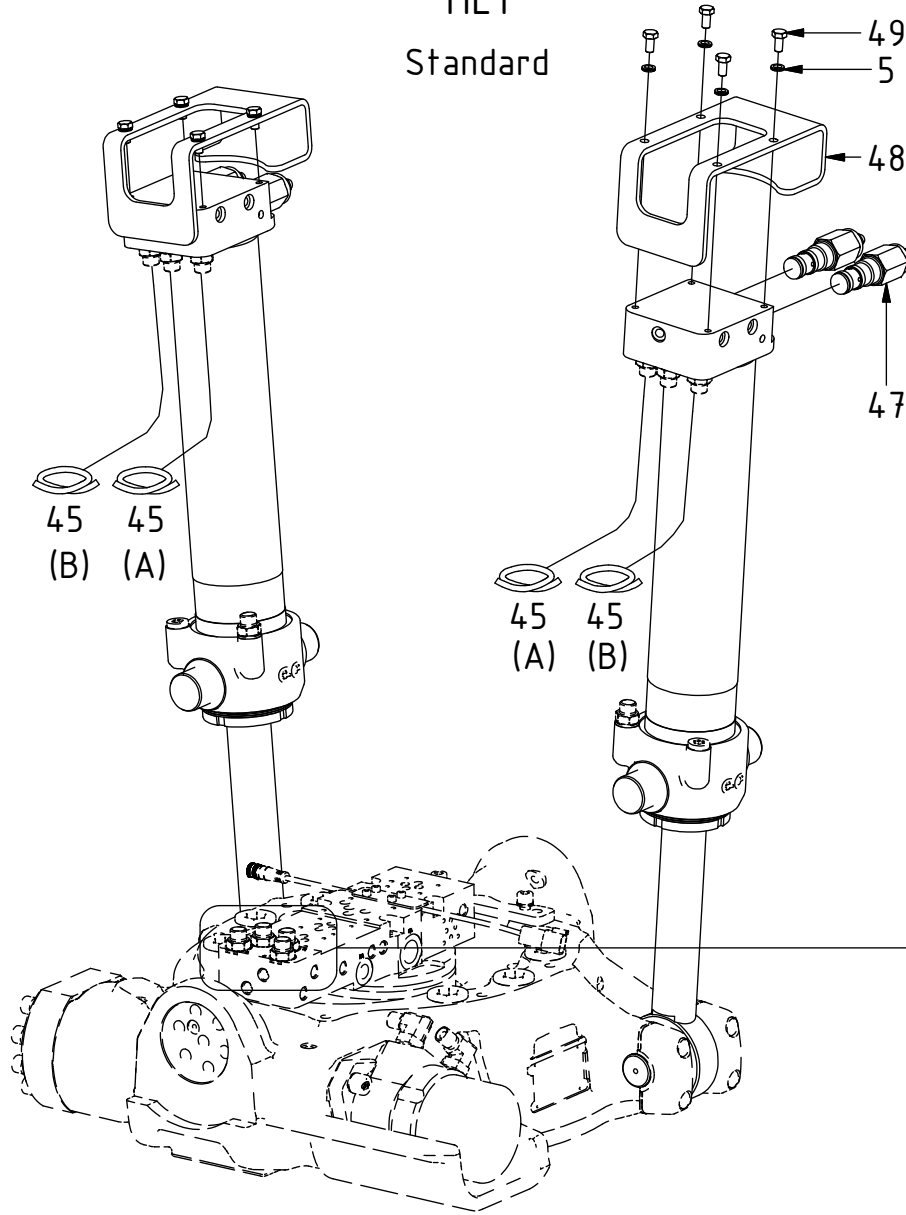
Wide



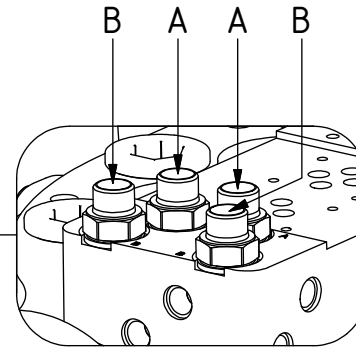
POS	DESCRIPTION	PART	QTY	COMMENTS
7	O-ring 9,92x2,62	710968	4	
16	Tilt cylinder EC219 Wide	1023811	2	See "Tilt cylinders"
17	Yoke EC219 complete	1017151	4	(POS.18-19 included)
18	Bushing 40/50/55/5-30	631001	4	
19	Cylindrical pin \varnothing 20x50	650211	4	
20	Spacer 20mm	1023777	4	
21	For option FEED 3/4"			See "Top part"
22	Hose terminal 8-hoses Left V2	1047137	1	
23	Hose terminal 8-hoses Right V2	1047138	1	
24	MC6S M16x100 12.9 ZFSHL	6000156	4	Torque: 333Nm
25	MC6S M16x130 12.9 ZFSHL	6000154	4	Torque: 333Nm
26	Plug 70125-06 (3/8")	711504	2	
27	Washer GBR06 3/8	710703	8	
28	Adapter 136-06-06 3/8"	710106	8	
29	Washer GBR04 1/4	710702	10	
30	Adapter 1/4" male - 3/8" male	710118	6	
32	Hose Tilt Short Wide	7000563	2	
33	Slotted pin 5x20	640413	2	
34	Axle for spacer EC219W	1016534	2	
35	Spacer tilt cylinder EC219W	1016533	4	
36	Cylinder axle \varnothing 40	1016398	2	
37	Clamping half 35	1016393	4	(POS.38 included)
38	Rubber spacer clamping half	1016439	4	
39	Washer NL 12mm	611042	8	
41	MC6S M12x100 12.9	611514	8	Torque: 136Nm
67	Screw Cover M16	611302	8	Part of make up

EC219 QSM - Std Top part components

TILT
Standard

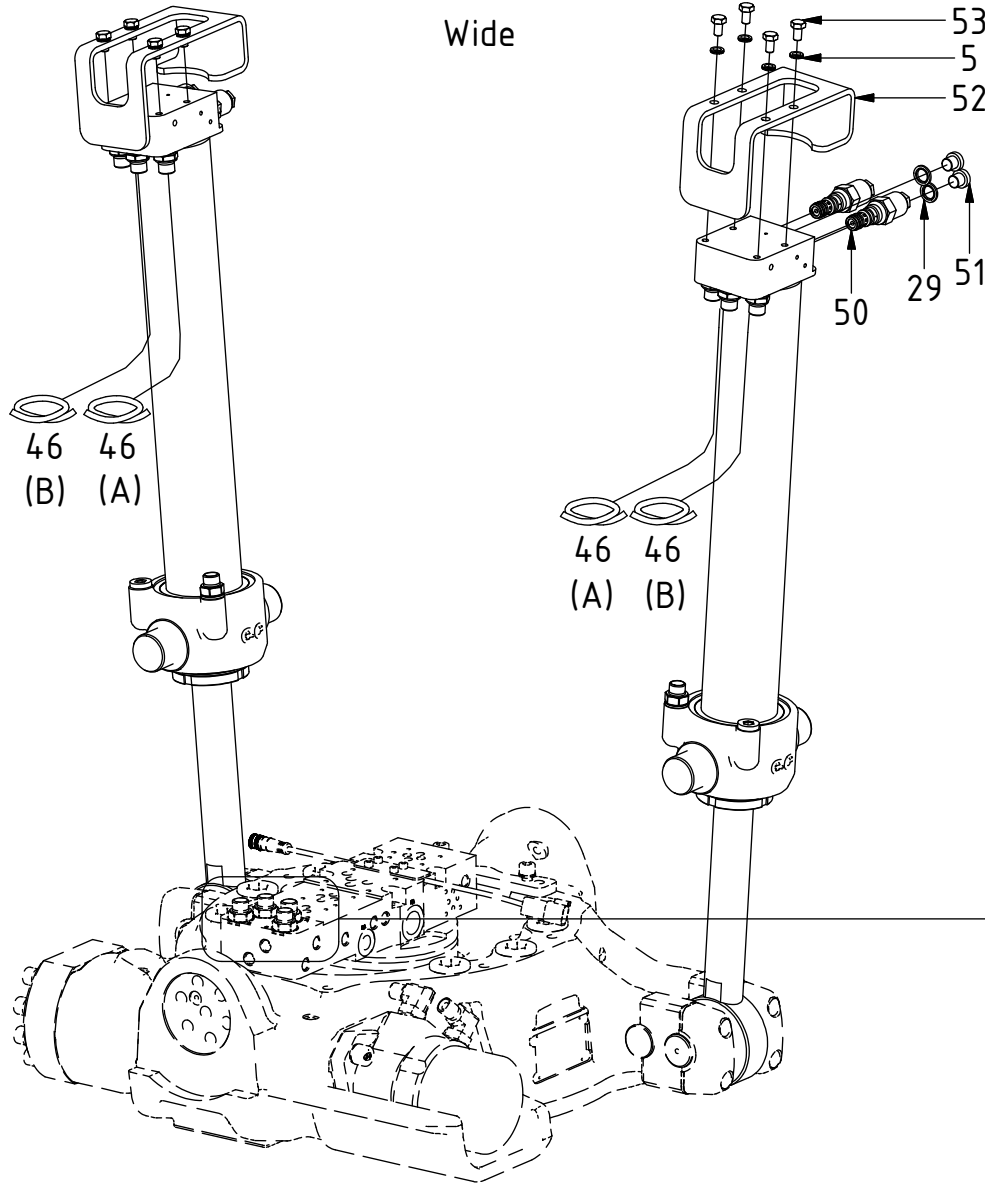


POS	DESCRIPTION	PART	QTY	COMMENTS
5	Washer NL 8mm	611040	16	QTY: 8 part of Tilt cylinder
45	Hose Tilt Long	7000027	4	
47	Overcentre valve 4:1 adjustable	730277	4	Torque: 60Nm
48	Hose protection Tiltcylinder	1014280	2	
49	M6S M8x16 8.8	610122	8	

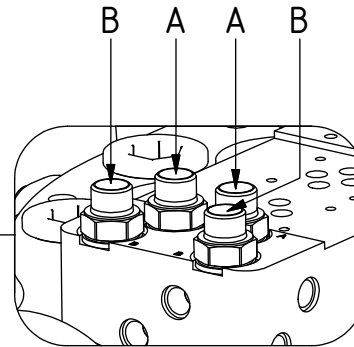


EC219 QSM - Std Top part components

TILT
Wide



POS	DESCRIPTION	PART	QTY	COMMENTS
5	Washer NL 8mm	611040	16	QTY: 8 part of Tilt cylinder
29	Washer GBR04 1/4	710702	10	
46	Hose Tilt Long Wide	7000031	4	
50	Overcentre valve 10:1 adjustable	730269	4	Torque: 60Nm
51	Plug 1/4"	711505	4	
52	Hose protection Tiltcyl.	1003774	2	
53	M6S M8x14 8.8	610188	8	

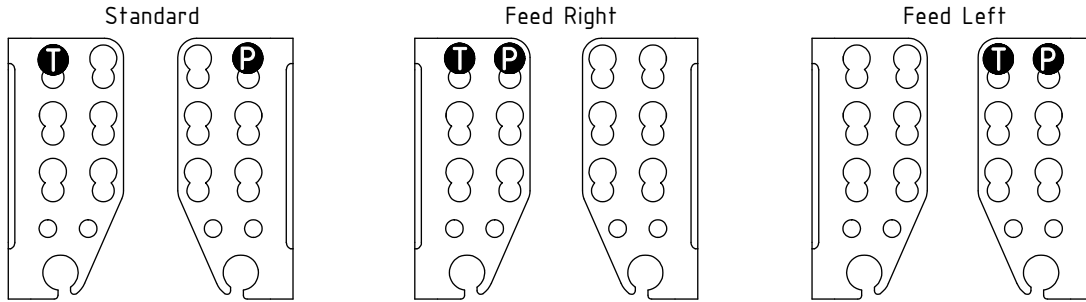


EC219 QSM - Std Top part components

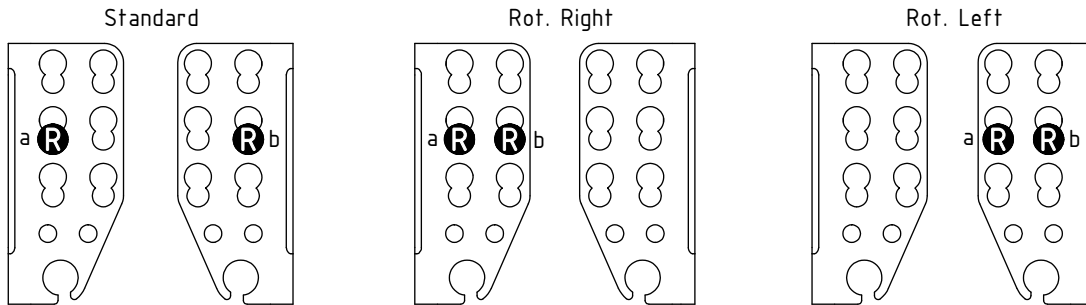
- P** = 54
- T** = 54
- R** = 58
- L** = 62
- tilt** = 58

FEED 1/2" (Std)

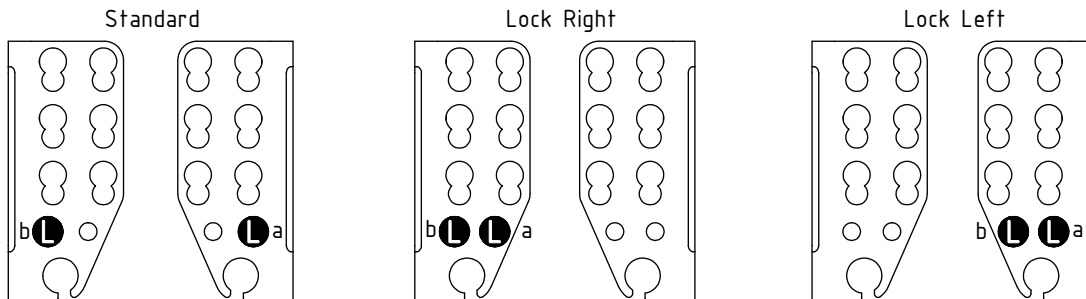
Main Feed



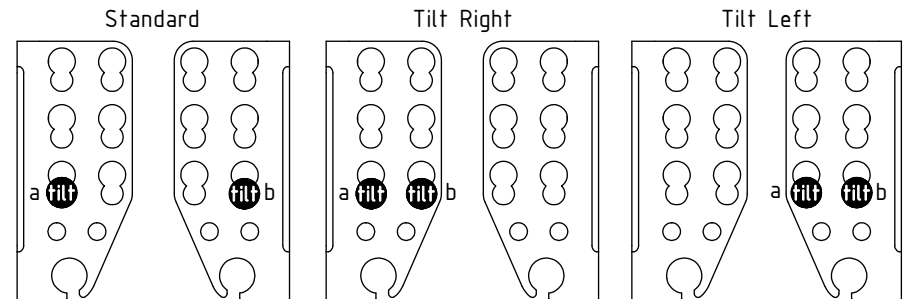
Rotation



Lock (SQ)



Tilt (ST)



POS	DESCRIPTION	PART	QTY	COMMENTS
21	For option FEED 3/4"			See "Top part"
54	Use washer, adapter, nut: POS.55, 56, 57			
55	Washer NL 20mm	611098	2	
56	Adapter 1260-08-08 (1/2")	710244	2	
57	Counternut 1270-08 (1/2")	710252	2	
58	Use washer, adapter, nut: POS.59, 60, 61			QTY depends on config. (2-4)
59	Washer NL 16mm	611044	2	
60	Adapter 1260-06-32 (3/8")	710242	2	
61	Counternut 1270-06 (3/8")	710254	2	
62	Use washer, adapter, nut: POS.63, 64, 65			
63	Washer NL 1/2"	611096	2	
64	Adapter 1260-04-04 (1/4")	710240	2	
65	Counternut 1270-04 (1/4")	710250	2	
	Attach feed hoses from control system			(a & b represents channels on feed block)

POS in order of assembly

EC219 QSM - Std Top part components

TILT
Standard

POS	DESCRIPTION	PART	QTY	COMMENTS
31	Hose Tilt Short	742606	2	
32	Hose Tilt Short Wide	7000563	2	
45	Hose Tilt Long	7000027	4	
46	Hose Tilt Long Wide	7000031	4	

Wide

Photo needed: Tilt hoses from cylinders to valve block, with A and B -channels visible

Photo needed: Wide, Tilt hoses from cylinders to valve block, with A and B -channels visible

POS in order of assembly

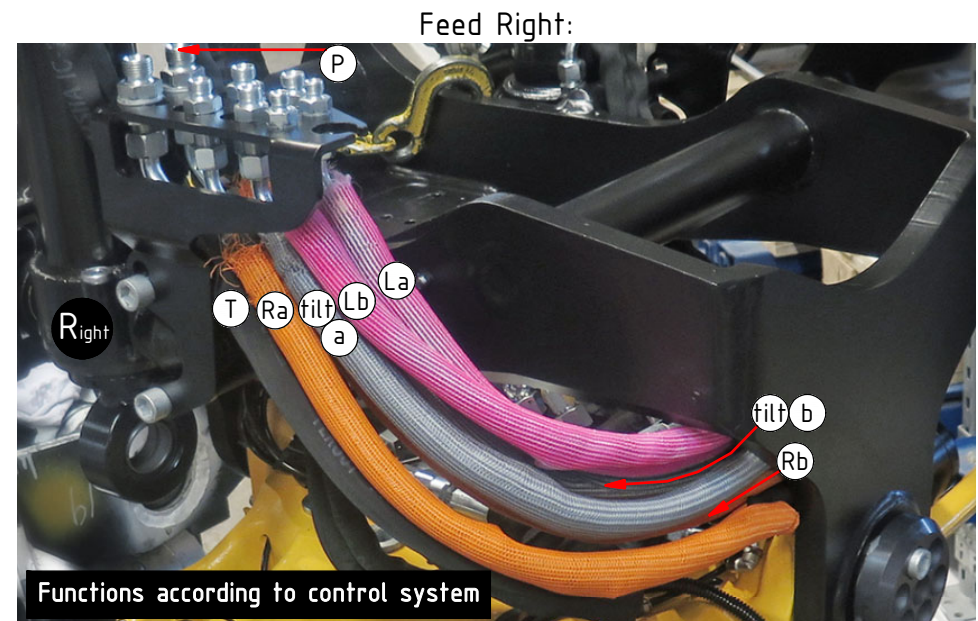
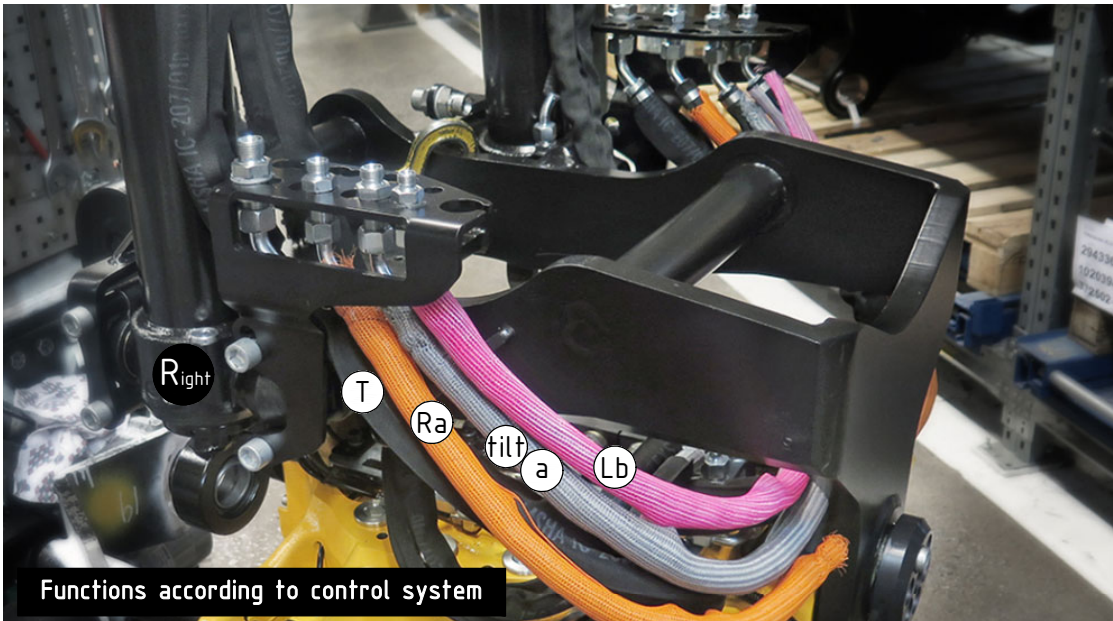
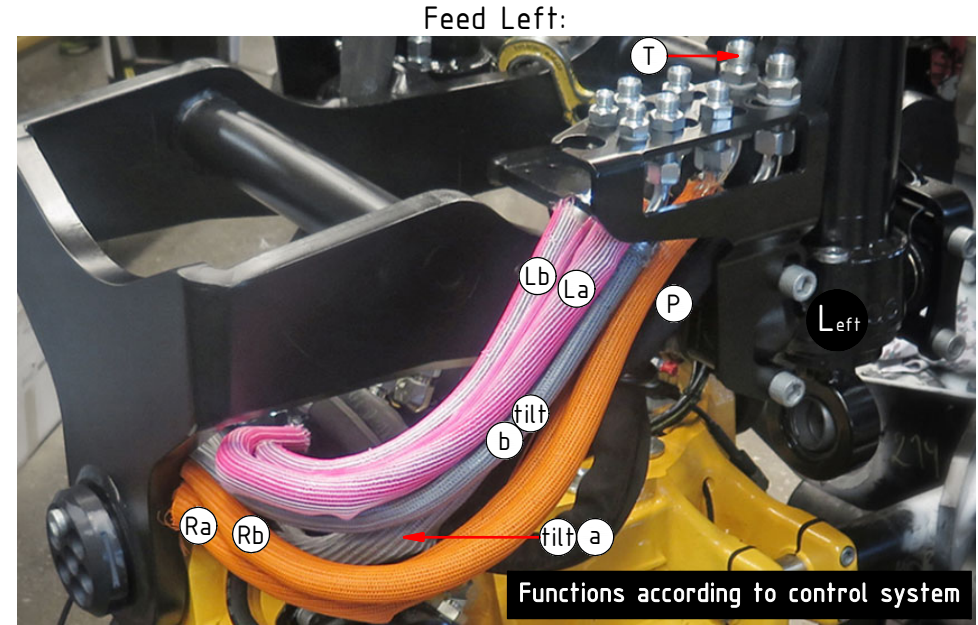
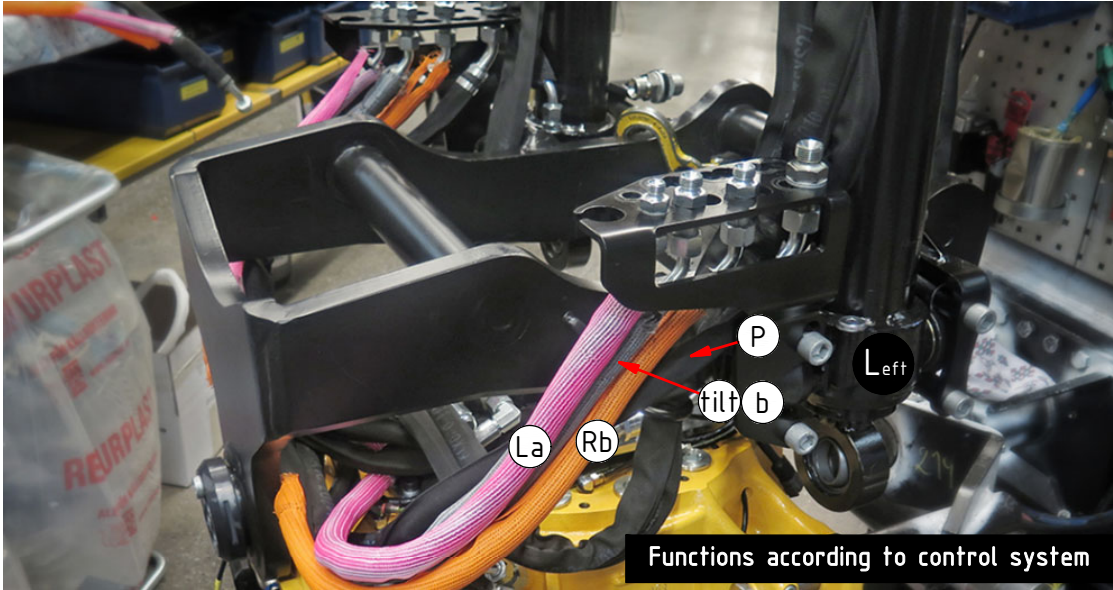
EC219 QSM - Std Top part components

FEED

1/2" (Std)

POS	DESCRIPTION	PART	QTY	COMMENTS
	Attach feed hoses from control system			(a & b represents channels on feed block)

POS in order of assembly



Dashed lines for overview, mounts on other pages/assemblies. indicates instruction. represents hose.