

## COVERSHEET

### Planned document changes:

**Briefly:**

No planned changes.

### Document changes:

**Date:**

**Change:**

**Rev.**

**after change:**

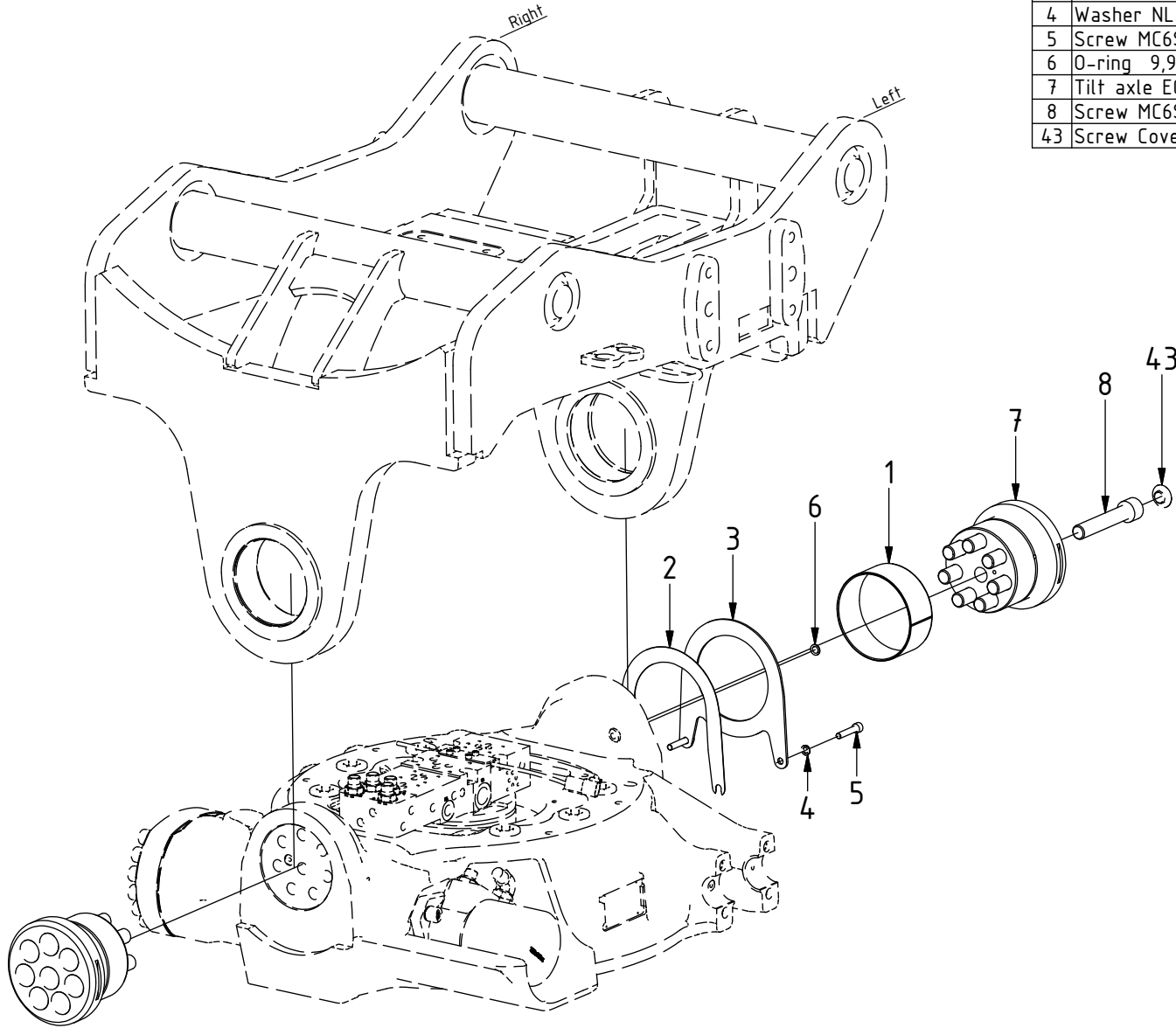
2019-09-04

New instruction.

-

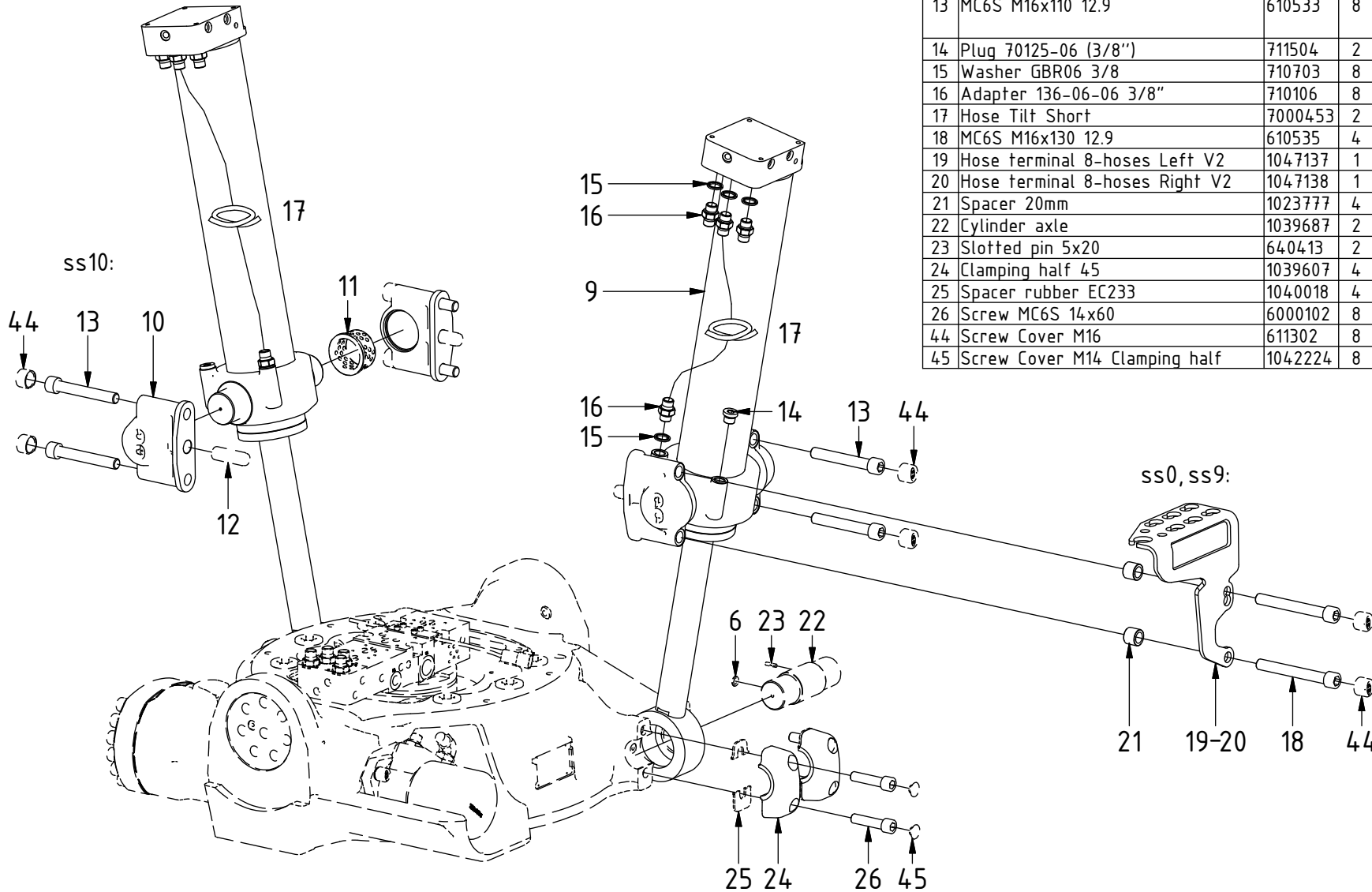
# EC233 QSM - Std Top part components

POS	DESCRIPTION	PART	QTY	COMMENTS
1	Bushing 120/125x50 WB802	6000087	2	(Included in Top part)
2	Shims tilt axle	1040014	4	Use if required
3	Axial washer tilt	1039639	1	
4	Washer NL 8mm	611040	10	QTY: 8 part of Tilt cylinder
5	Screw MC6S 8x40	610437	2	
6	O-ring 9,92x2,62	710968	4	
7	Tilt axle EC233	1039140	2	
8	Screw MC6S 20x110	610551	16	Torque: 649Nm
43	Screw Cover M20 Tilt axle	1042225	16	Part of make up



# EC233 QSM - Std Top part components

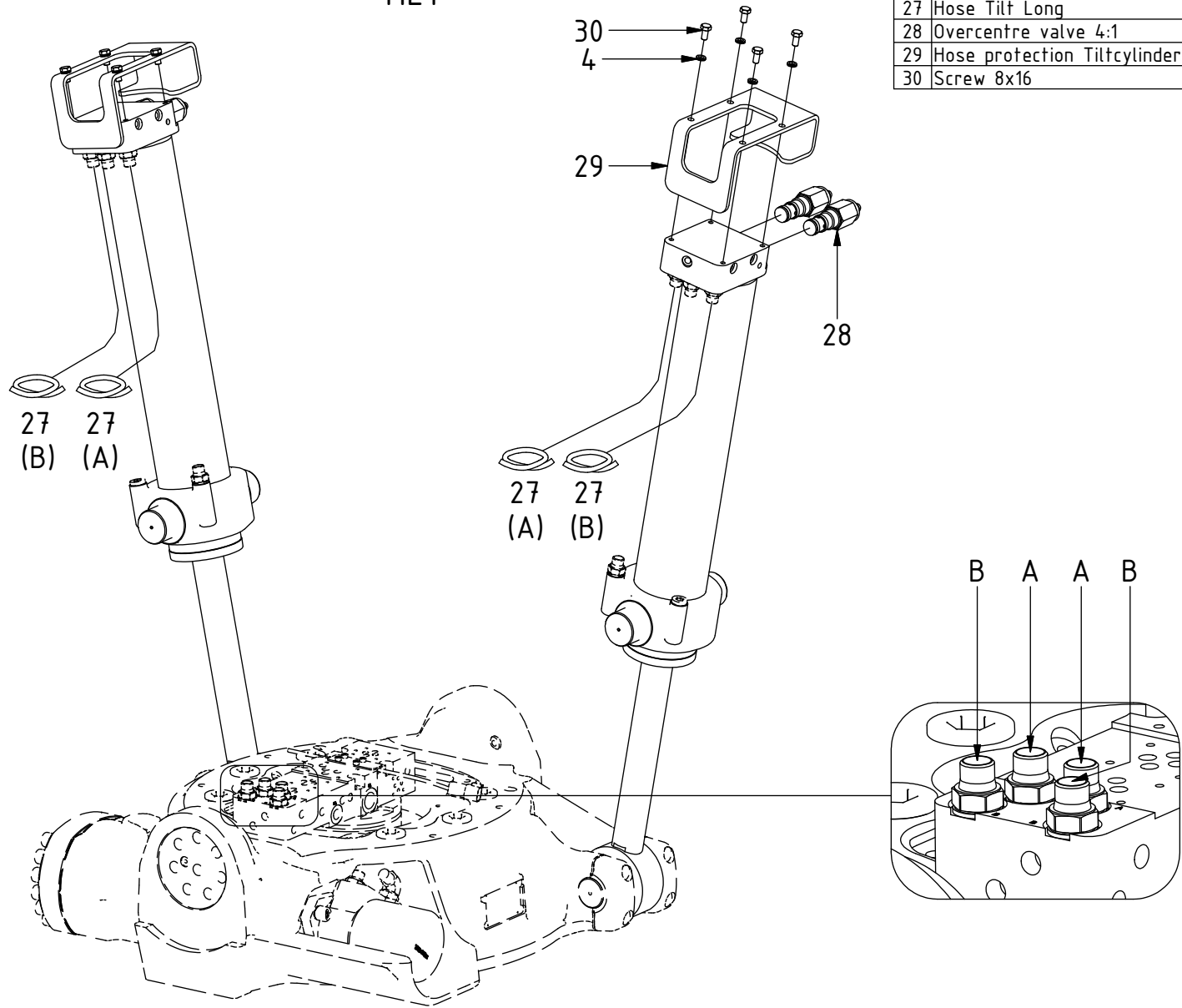
POS	DESCRIPTION	PART	QTY	COMMENTS
6	O-ring 9,92x2,62	710968	4	
9	Tilt cylinder EC233	1039112	2	See "Tilt cylinders"
10	Yoke EC233 complete	1039018	4	(POS.11-12 included)
11	Bushing 50/60/65/5x35	6000086	4	
12	Cylindrical pin $\varnothing$ 20x60	650217	4	
13	MC6S M16x110 12.9	610533	8	QTY: 4 for ss0, ss9 Torque: 333Nm
14	Plug 70125-06 (3/8")	711504	2	
15	Washer GBR06 3/8	710703	8	
16	Adapter 136-06-06 3/8"	710106	8	
17	Hose Tilt Short	7000453	2	
18	MC6S M16x130 12.9	610535	4	
19	Hose terminal 8-hoses Left V2	1047137	1	
20	Hose terminal 8-hoses Right V2	1047138	1	
21	Spacer 20mm	1023777	4	
22	Cylinder axle	1039687	2	
23	Slotted pin 5x20	640413	2	
24	Clamping half 45	1039607	4	(POS.25 included)
25	Spacer rubber EC233	1040018	4	
26	Screw MC6S 14x60	6000102	8	Torque: 217Nm
44	Screw Cover M16	611302	8	Part of make up
45	Screw Cover M14 Clamping half	1042224	8	Part of make up



# EC233 QSM - Std Top part components

## TILT

POS	DESCRIPTION	PART	QTY	COMMENTS
4	Washer NL 8mm	611040	10	QTY: 8 part of Tilt cylinder
27	Hose Tilt Long	7000452	4	
28	Overcentre valve 4:1	730277	4	Torque: 60Nm
29	Hose protection Tiltcylinder	1014280	2	
30	Screw 8x16	610122	8	

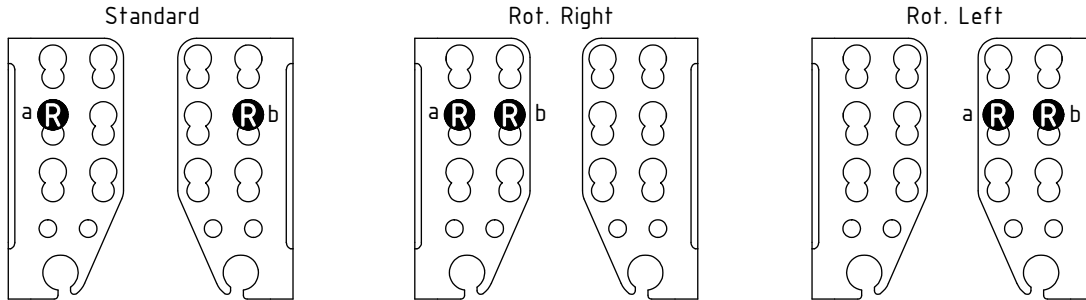


# EC233 QSM - Std Top part components

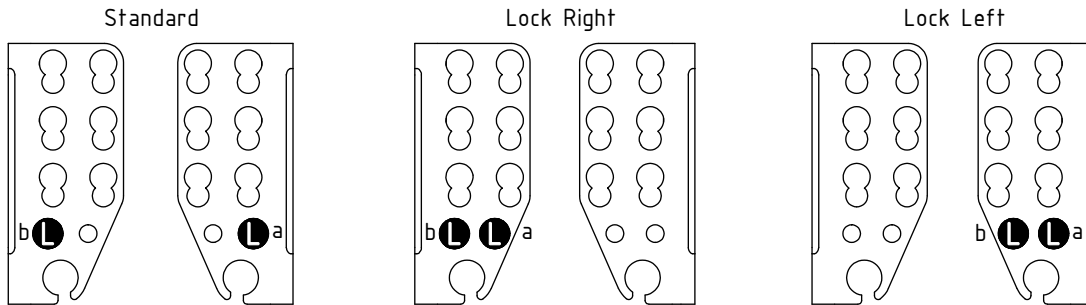
- R** = 39
- L** = 35
- filt** = 31
- G** = 31

## FEED 3/4" (Std)

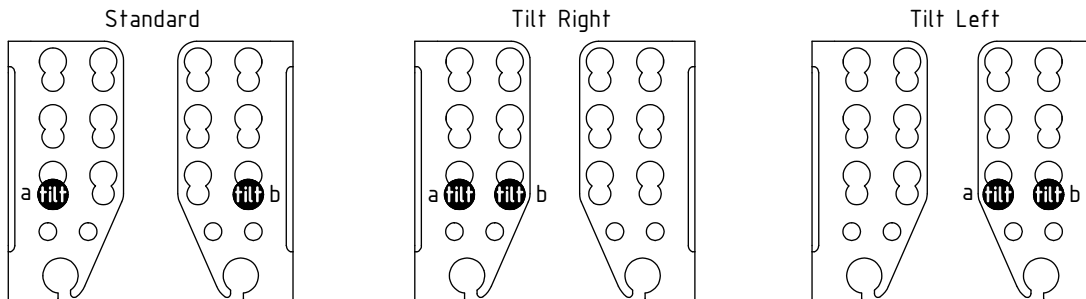
### Rotation



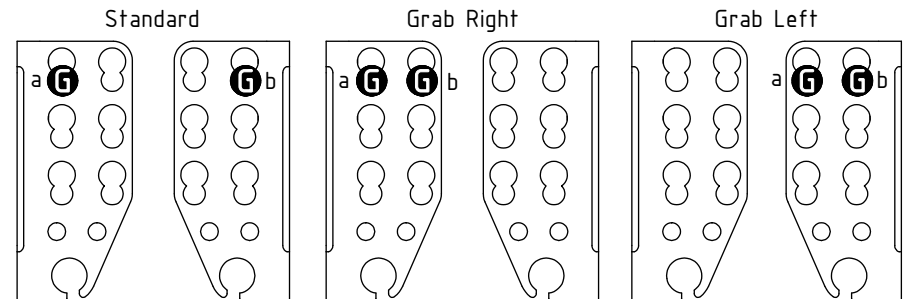
### Lock (SQ)



### Tilt (ST)



### Grab (SG)



POS	DESCRIPTION	PART	QTY	COMMENTS
31	Use washer, adapter, nut: POS.32, 33, 34			QTY depends on config. (2-6)
32	Washer NL 16mm	611044	2	
33	Adapter 1260-06-32 (3/8")	710242	2	
34	Counternut 1270-06 (3/8")	710252	2	
35	Use washer, adapter, nut: POS.36, 37, 38			
36	Washer NL 1/2"	611096	2	
37	Adapter 1260-04-04 (1/4")	710240	2	
38	Counternut 1270-04 (1/4")	710250	2	
39	Use washer, adapter, nut: POS.40, 41, 42			
40	Washer NL 20mm	611098	2	
41	Adapter 1260-08-08 (1/2")	710244	2	
42	Counternut 1270-08 (1/2")	710254	2	
	Attach feed hoses from control system			(a & b represents channels on feed block)

POS in order of assembly

# EC233 QSM - Std Top part components

TILT

POS	DESCRIPTION	PART	QTY	COMMENTS
17	Hose Tilt Short	7000453	2	
27	Hose Tilt Long	7000452	4	

POS in order of assembly



FEED  
3/4" (Std)

POS	DESCRIPTION	PART	QTY	COMMENTS
	Attach feed hoses from control system			(a & b represents channels on feed block)

Photo needed: all functions seen from right

Functions according to control system

Feed Left:

Photo needed: option Feed Left

Functions according to control system

Photo needed: all functions seen from left

Functions according to control system

Feed Right:

Photo needed: option Feed Right

Functions according to control system