

COVERSHEET

Planned document changes:

Briefly:

No planned changes.

Document changes:

Date:

Change:

Rev.

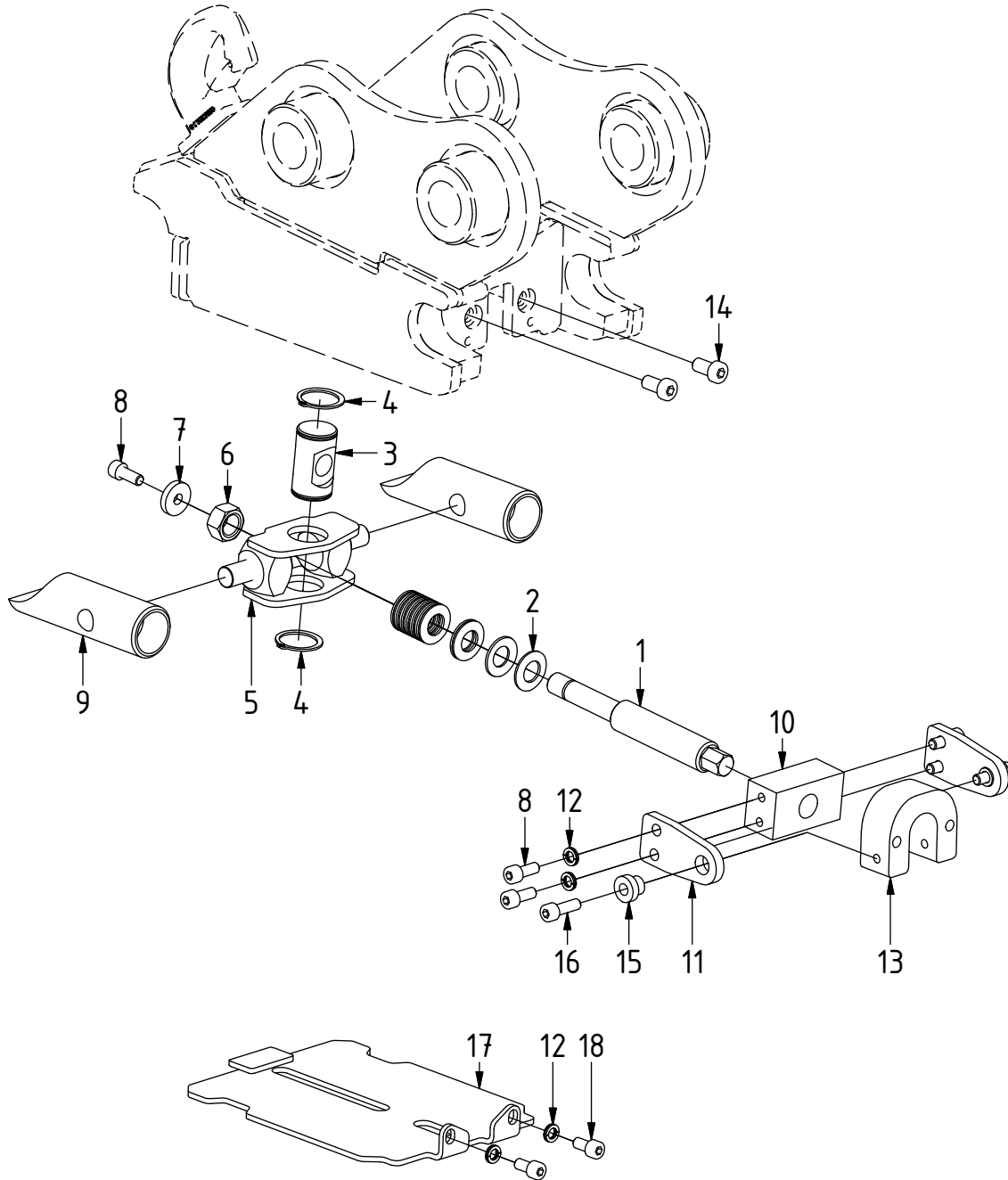
after change:

2019-09-03

New instruction.

-

S40M - Std Components



POS	DESCRIPTION	PART	QTY	COMMENTS
1	Shaft Mech. Lock	1004040	1	
2	Belleville washer 16.3/31.5	640104	16	Mount in pairs with concave sides towards each other
3	Lock Pin S40M	1003960	1	
4	Circlip	640202	2	
5	Lock Yoke	1003559	1	
6	Hex. Nut M16	610948	1	Left handed nut
7	Flat Washer 8,4x26x5	611014	1	
8	MC6S M8x20 12.9	610433	5	Loctite 2700 to POS.1
9	Lock wedge	302617	2	
10	Nut Mech lock S40	1015161	1	
11	Link	1004042	2	
12	Washer NL 8mm	611040	6	
13	Holder Mech Lock	1004041	1	
14	MLC6S M10x20 8,8 FZB	610714	2	Loctite 2700
15	Spacer (small)	400127	2	
16	MC6S M8x25 12.9	610434	2	
17	Cover Plate S40	1005382	1	
18	MC6S M8x16 12.9	610431	2	

Related spare parts

POS	DESCRIPTION	PART	QTY	COMMENTS
1	Shaft Mech. Lock	1004040	1	
7	Flat Washer 8,4x26x5	611014	1	
8	MC6S M8x20 12.9	610433	5	Loctite 2700 to POS.1
19	Weld the nut to the shaft			Procedure replaced by POS.7-8 from 2019-09

Replaced from 2019-09

Replacing welding with current solution: You must also replace the shaft.

