

COVERSHEET

Planned document changes:


Briefly:


No planned changes.

Document changes:

Date:	Change:	Rev. after change:
2024-06-19	DC3 added. ECO blocks updated.	K
2024-02-15	Washers against blocks removed.	J
2023-08-21	Layout/irrelevant.	I
2023-05-24	Spare parts added.	H
2023-03-03	New ECO std. configs from 2023. ECO70-block removed.	G
2023-01-03	ECO connectionblock functions updated. Photos added.	F
2021-12-14	Configuration added with ECO80 W as left block.	E
2020-05-21	ECO 5hyd updated.	D
2020-05-14	ECO couplings replaced. 5hyd updated. Photos added.	C
2019-12-09	Photos added.	B
2019-10-31	ECO distance plate added. ePS cables added.	A
2019-08-30	New document.	-

Readers note:

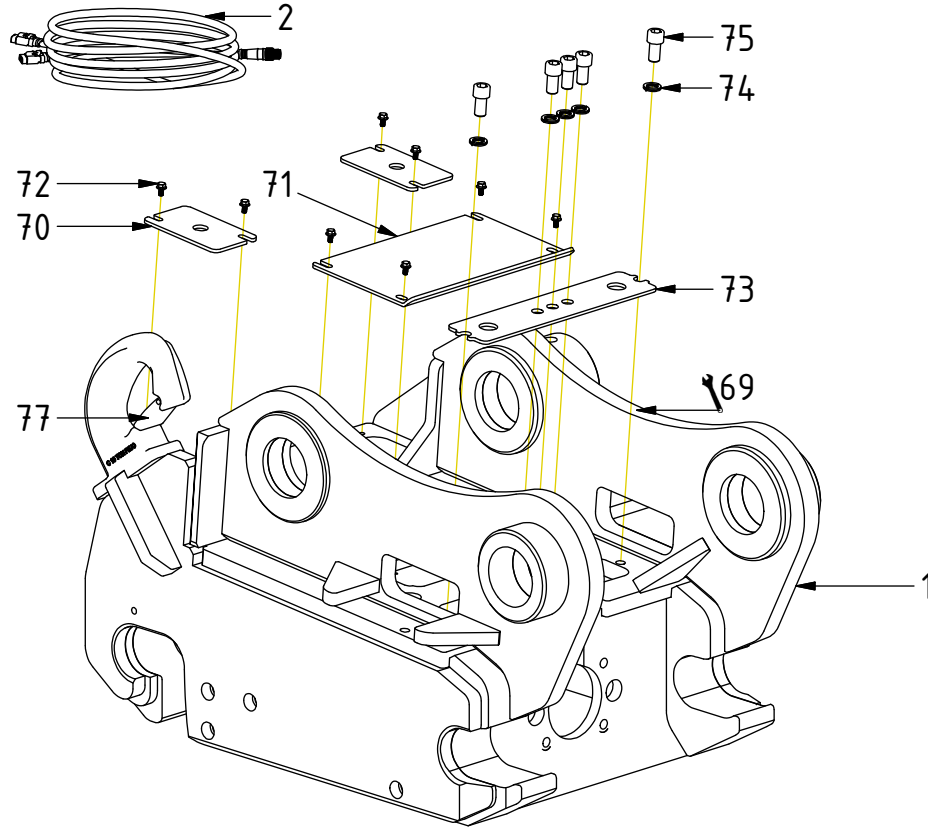
 Indicates instruction.

 Represents Hose.

Dashed lines for overview, mounts
on other pages/assemblies.

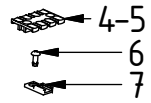
- 4-5
- 6
- 7
- 8
- 9

Without EC-Oil

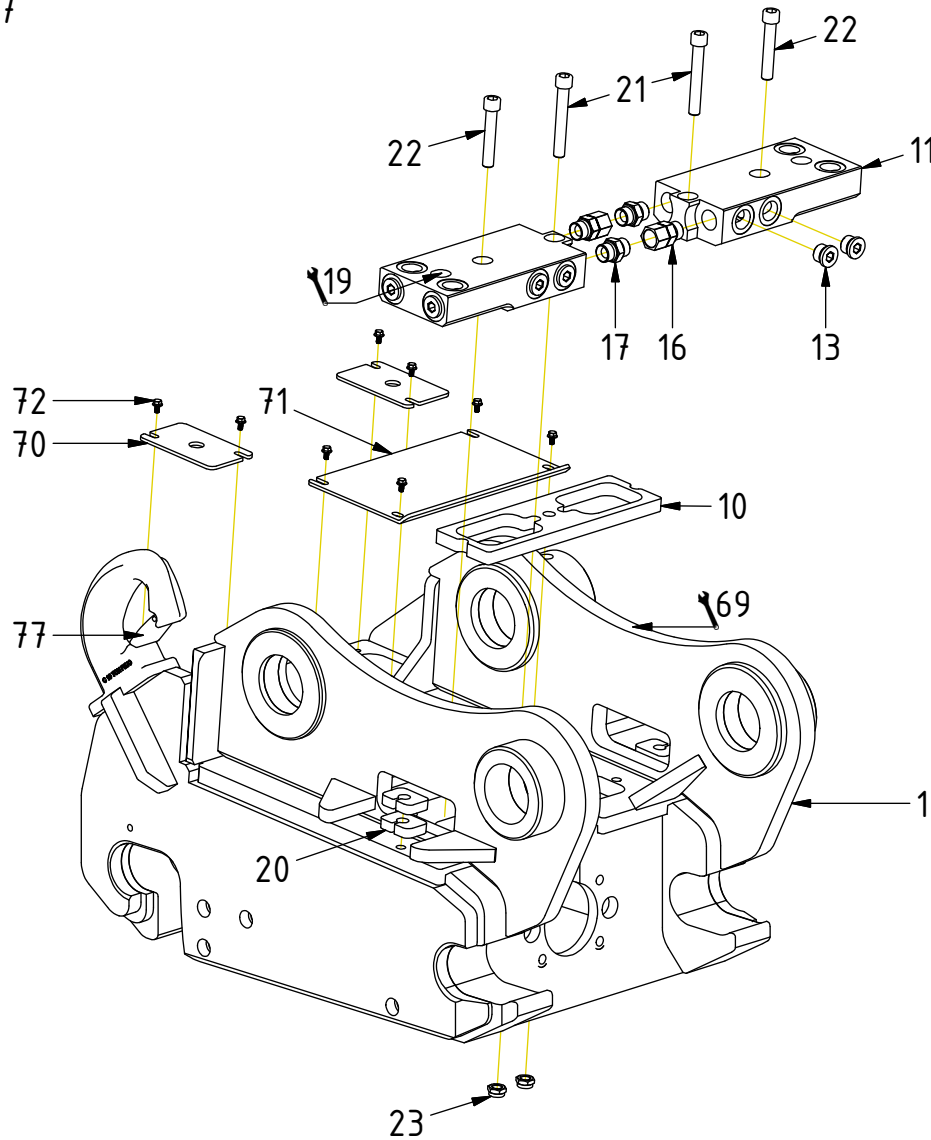


POS	DESCRIPTION	PART	QTY	COMMENTS
1	Quick hitch is selected via engcon			(Machine dependent)
2	Cable QS - QLM - Quick hitch	842149	1	Attach to QS sensors
4	Strain relief plate ZL60	8000703	1	
5	Strain relief plate ZL87	8000704	1	
6	Blind rivet 4,8x16 DIN7337	6000294	10	
7	Holder Deutsch coupling	810662	6	
8	Screw K6S M5x8 10.9 FZB	611801	1	QTY: 4 for ECO coverplate
9	Rubber steel clamp ø6	6000027	1	
69	Punch serial number into hitch			
70	Small lid	1050955	2	
71	Lid QS80 V2	1050471	1	
72	Screw M6SF 8x12H Riffled	6000120	8	
73	Lid QS80 without ECO	1051541	1	
74	Washer NL 16mm	611044	5	
75	Screw MC6S M16x30 12.9 ZFSHL	6000201	5	
77	Safety latch	405177	1	Lifting hook spare part

POS in order of assembly

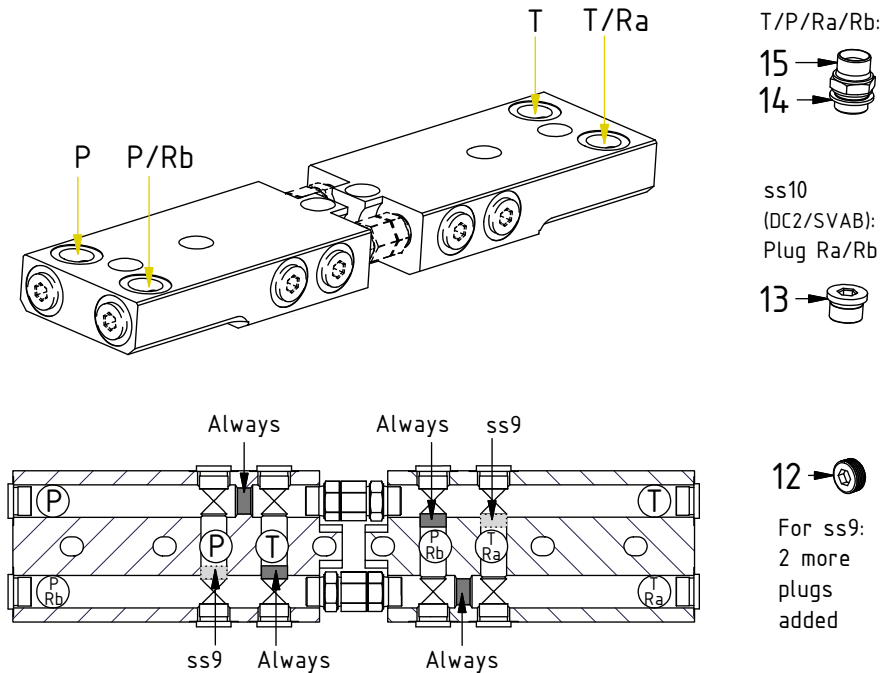


EC-Oil

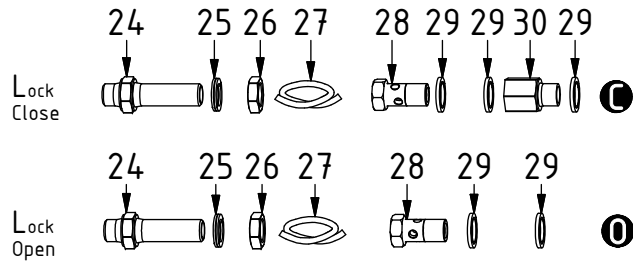


POS	DESCRIPTION	PART	QTY	COMMENTS
1	Quick hitch is selected via engcon			(Machine dependent)
4	Strain relief plate ZL60	8000703	1	
5	Strain relief plate ZL87	8000704	1	
6	Blind rivet 4,8x16 DIN7337	6000294	10	
7	Holder Deutsch coupling	810662	6	
10	Distance plate ECO	1047086	1	
11	Connection block QS80	1051019	2	
12	Pipe Plug 3/4" DIN 906	7000261	4	Loxéal 58-12. QTY: 6 for ss9
13	Plug VSTIR16ED 1"	7000945	14	QTY depends on config. (12-16)
14	Washer GBR16 1	710707	2	QTY: 4 for ss9
15	Adapter 136-16-16	710127	2	QTY: 4 for ss9
16	Adapter EGE 25-SR-ED (int)	7000946	2	
17	Adapter XGE 25-SR-ED (ext)	7000947	6	QTY: 10 for EC-Oil 2bl.
19	If middle hole is covered by side plate: use outer hole			Use with POS.20
20	Spacer washer	1051456	4	Use if required
21	Screw MC6S M16x110 12.9 ZFSHL	6000253	2	
22	Screw MC6S M16x90 12.9 ZFSHL	6000151	2	
23	Lock Nut M6M M16x2 8,8 FZB	610926	2	
69	Punch serial number into hitch			
70	Small lid	1050955	2	
71	Lid QS80 V2	1050471	1	
72	Screw M6SF 8x12H Riffled	6000120	8	
77	Safety latch	405177	1	Lifting hook spare part

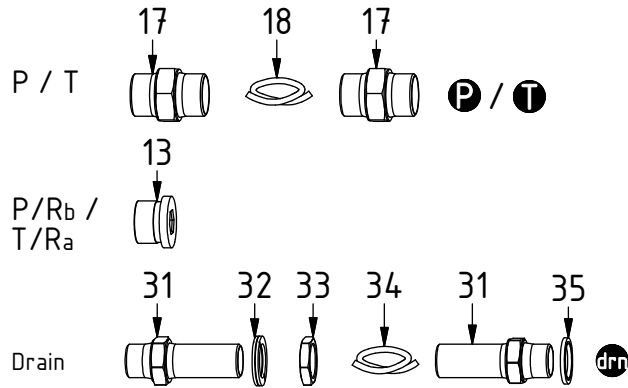
POS in order of assembly



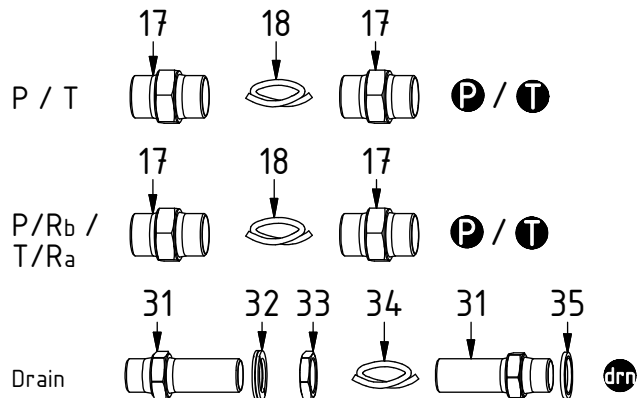
Hoses



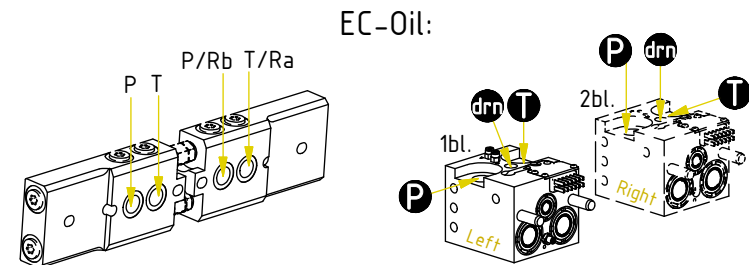
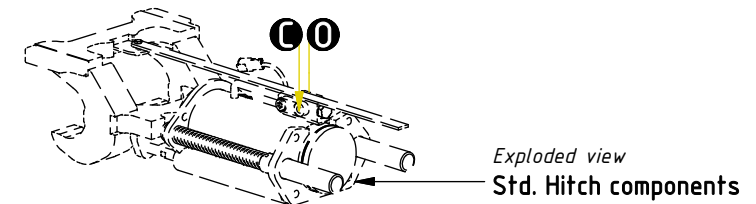
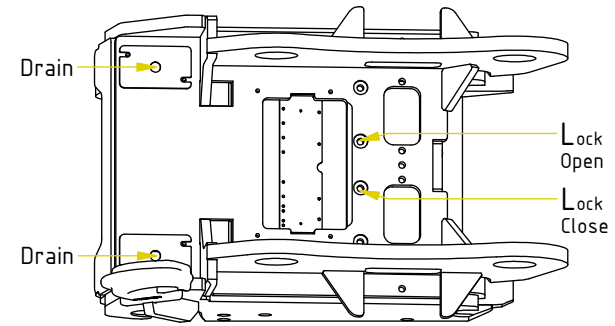
EC-Oil 1bl.



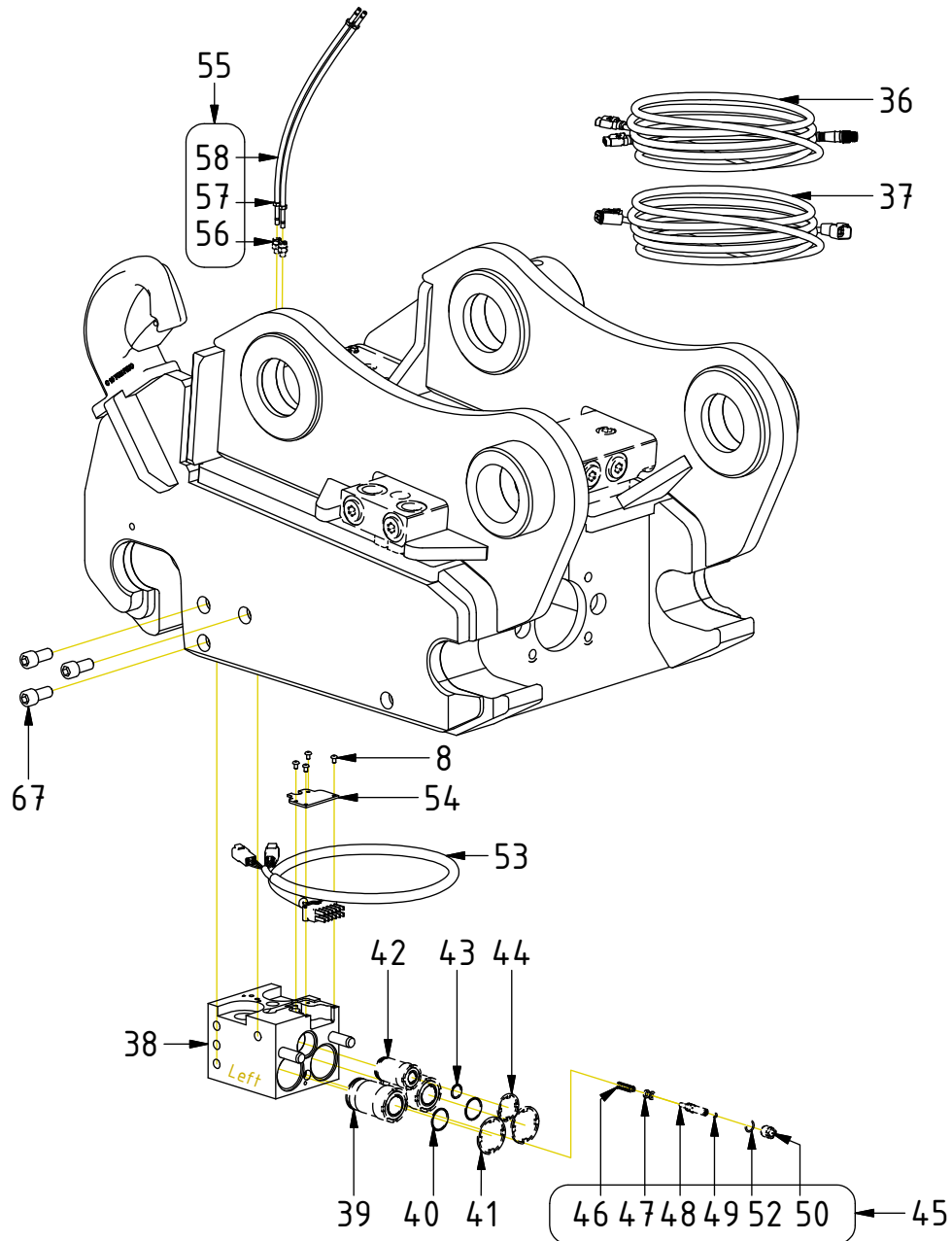
EC-Oil 2bl.



POS	DESCRIPTION	PART	QTY	COMMENTS
13	Plug VSTIR16ED 1"	7000945	14	QTY depends on config. (12-16)
17	Adapter XGE 25-SR-ED (ext)	7000947	6	QTY: 10 for EC-Oil 2bl.
18	Hose ECO80 W connection block 1"	7000882	2	QTY: 4 for 2bl.
24	Adapter 1260-04-40 (1/4")	710261	2	
25	Washer NL 1/2"	611096	2	
26	Counternut 1270-04 (1/4")	710250	2	
27	Hose Lock	7000943	2	
28	Banjo bolt 4451-04 (1/4")	710271	2	
29	Washer GBR04 1/4	710702	5	
30	Adapter 236-04-04 (1/4")	1013885	1	
31	Adapter 1260-08-45 (1/2")	710263	2	QTY: 4 for 2bl.
32	Washer NL 20mm	611098	1	QTY: 2 for 2bl.
33	Counternut 1270-08 (1/2")		1	QTY: 2 for 2bl.
34	Hose Drain	7001373	1	QTY: 2 for 2bl.
35	Washer GBR08 1/2	710704	1	QTY: 2 for 2bl.

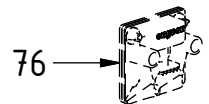


EC-Oil
DC3

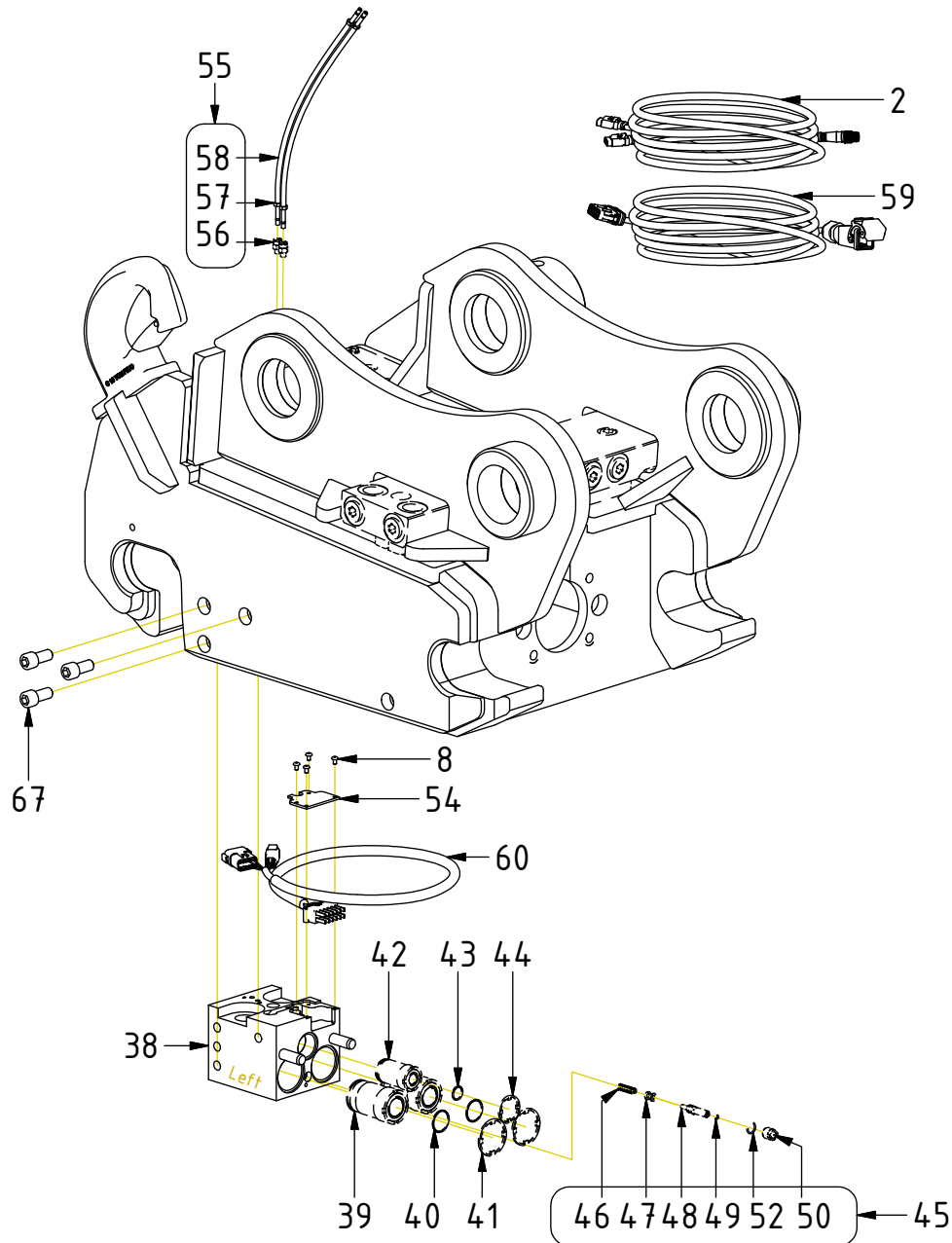


POS	DESCRIPTION	PART	QTY	COMMENTS
8	Screw K6S M5x8 10.9 FZB	611801	1	QTY: 4 for ECO coverplate
36	Cable QS -QLM- Machine hitch 3,4m	8000863	1	Attach to QS sensors
37	Cable ECO W DC3 (4S, 4P)	8002297	1	Attach to 4P
38	Block ECO80W 3hy. 1cl. Compl. V3	1074034	1	(POS.39, 41-42, 44-45 incl.)
39	Coupling ECO W 1" V3	1056060	2	Torque: 60Nm. (POS.40 incl.)
40	Flat sealing for ECO 1" V3	1056072	2	
41	Dirt protection Block ECO 1"	1045166	2	
42	Coupling ECO W 1/2" V3	1054580	1	Torque: 60Nm. (POS.43 incl.)
43	Flat sealing for ECO 1/2" V3	1050018	1	
44	Dirt protection Block ECO 1/2"	1028229	2	
45	Lubrication kit ECO W V2	1050794	1	(POS.46-52 incl.)
46	Spring 6058	1024113	1	
47	Piston sealing KPOR130 12x7,1x2,2	1024112	2	(O-ring incl. with seal ring)
48	Grease piston	1024111	1	
49	O-ring 3,69x1,78	1024115	1	
50	Nut grease piston	1047688	1	Wrap with thread sealing tape
51	O-ring 9,25x1,78	712429	1	Located inside nut
52	O-ring 14x2	7000767	1	
53	Power plug ECO W Hitch (4P, 6P)	8002100	1	Cable gland torque: 6Nm
54	Cover plate ECO60/70/80 W QH	1074691	1	
55	Hose kit - lubricant ECO W	7000514	1	(POS.56-58 incl.)
56	Straight Push-in M8x1	790185	2	
57	Pipe stub straight Push-in	790175	2	
58	Hose 2m - lubricant ECO	790176	1	
67	Screw MC6S M16x35 12.9 ZFSL	6000410	3	Loxal 83-52
76	Transport Protection ECO-Block	1050611	1	Part of make up

POS in order of assembly

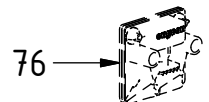


EC-Oil
DC2 Std. config.

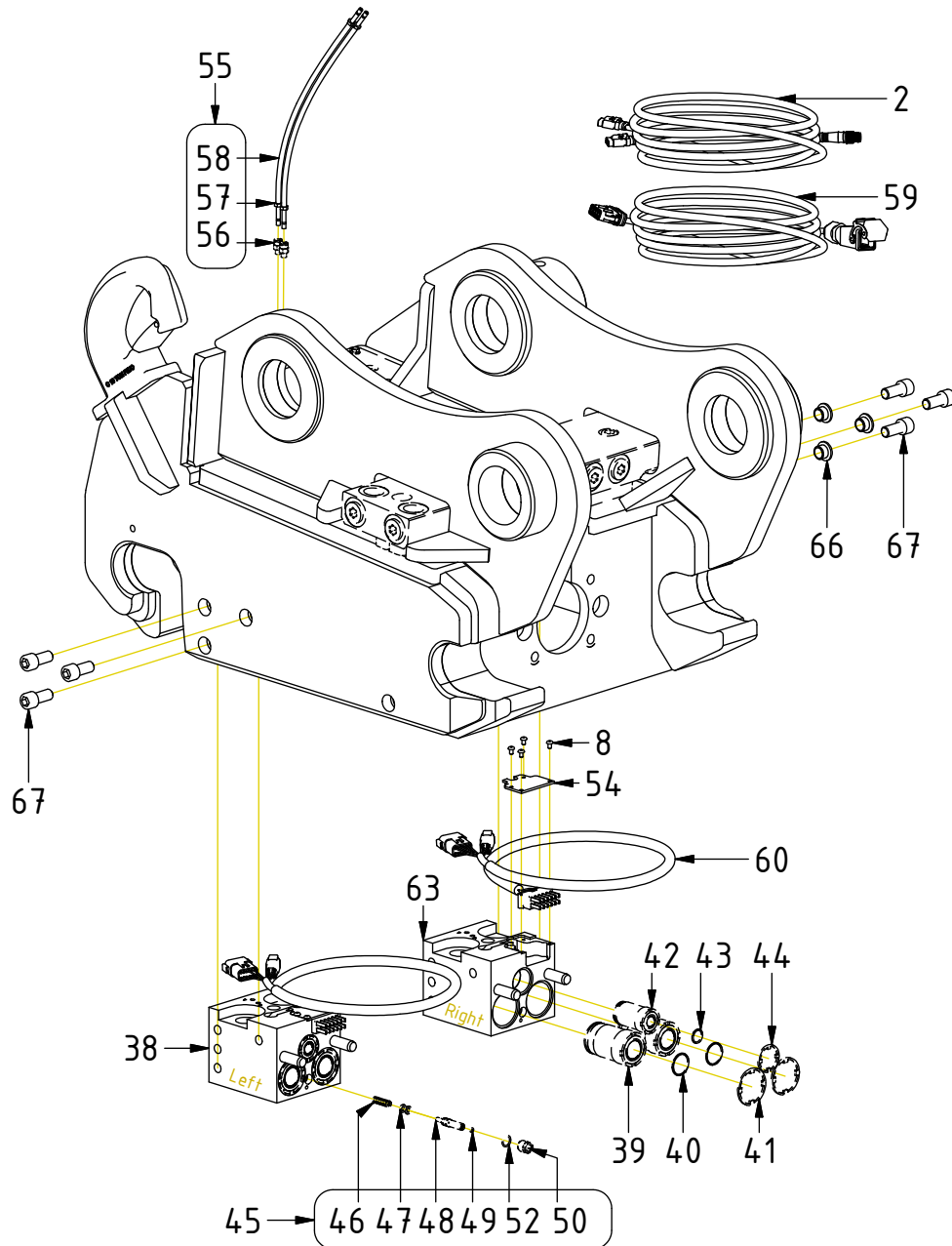


POS	DESCRIPTION	PART	QTY	COMMENTS
2	Cable QS - QLM - Quick hitch	842149	1	Attach to QS sensors
8	Screw K6S M5x8 10.9 FZB	611801	1	QTY: 4 for ECO coverplate
38	Block ECO80W 3hy. 1cl. Compl. V3	1074034	1	(POS.39, 41-42, 44-45 incl.)
39	Coupling ECO W 1" V3	1056060	2	Torque: 60Nm. (POS.40 incl.)
40	Flat sealing for ECO 1" V3	1056072	2	
41	Dirt protection Block ECO 1"	1045166	2	
42	Coupling ECO W 1/2" V3	1054580	1	Torque: 60Nm. (POS.43 incl.)
43	Flat sealing for ECO 1/2" V3	1050018	1	
44	Dirt protection Block ECO 1/2"	1028229	2	
45	Lubrication kit ECO W V2	1050794	1	(POS.46-52 incl.)
46	Spring 6058	1024113	1	
47	Piston sealing KPOR130 12x7,1x2,2	1024112	2	(O-ring incl. with seal ring)
48	Grease piston	1024111	1	
49	O-ring 3,69x1,78	1024115	1	
50	Nut grease piston	1047688	1	Wrap with thread sealing tape
51	O-ring 9,25x1,78	712429	1	Located inside nut
52	O-ring 14x2	7000767	1	
54	Cover plate ECO60/70/80 W QH	1074691	1	
55	Hose kit - lubricant ECO W	7000514	1	(POS.56-58 incl.)
56	Straight Push-in M8x1	790185	2	
57	Pipe stub straight Push-in	790175	2	
58	Hose 2m - lubricant ECO	790176	1	
59	Machine cable ECO70 W DC2	1048528	1	Attach to Left 12P
60	Power plug ECO W Hitch (12P, 6P)	1042243	1	Cable gland torque: 6Nm
67	Screw MC6S M16x35 12.9 ZFSL	6000410	3	Loxal 83-52
76	Transport Protection ECO-Block	1050611	1	Part of make up

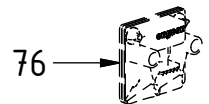
POS in order of assembly



EC-Oil
DC2 Option 2bl.

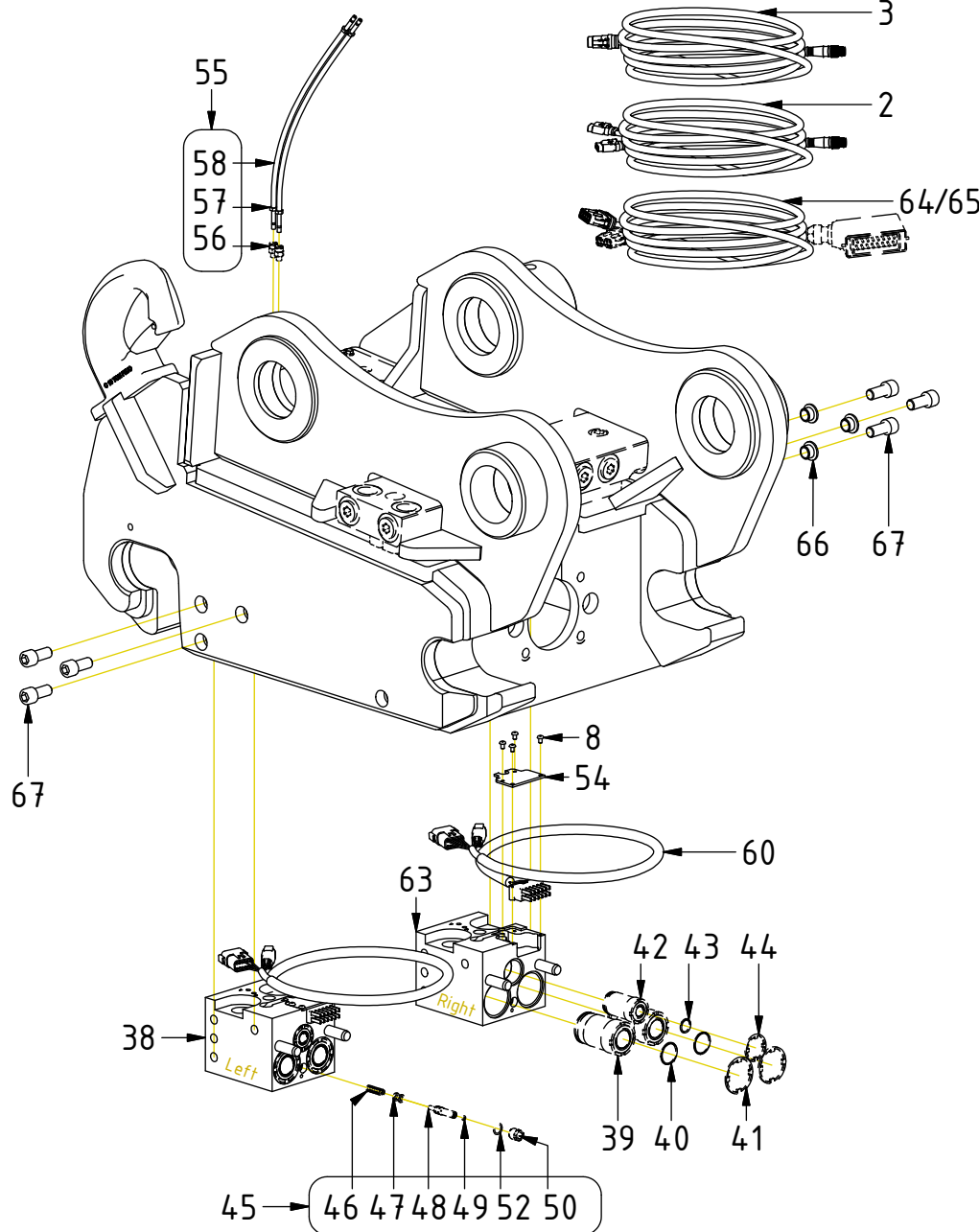


POS	DESCRIPTION	PART	QTY	COMMENTS
2	Cable QS - QLM - Quick hitch	842149	1	Attach to QS sensors
8	Screw K6S M5x8 10.9 FZB	611801	1	QTY: 4 for ECO coverplate
38	Block ECO80W 3hy. 1cl. Compl. V3	1074034	1	(POS.39, 41-42, 44-45 incl.)
39	Coupling ECO W 1" V3	1056060	2	Torque: 60Nm. (POS.40 incl.)
40	Flat sealing for ECO 1" V3	1056072	2	
41	Dirt protection Block ECO 1"	1045166	2	
42	Coupling ECO W 1/2" V3	1054580	1	Torque: 60Nm. (POS.43 incl.)
43	Flat sealing for ECO 1/2" V3	1050018	1	
44	Dirt protection Block ECO 1/2"	1028229	2	
45	Lubrication kit ECO W V2	1050794	1	(POS.46-52 incl.)
46	Spring 6058	1024113	1	
47	Piston sealing KPOR130 12x7,1x2,2	1024112	2	(O-ring incl. with seal ring)
48	Grease piston	1024111	1	
49	O-ring 3,69x1,78	1024115	1	
50	Nut grease piston	1047688	1	Wrap with thread sealing tape
51	O-ring 9,25x1,78	712429	1	Located inside nut
52	O-ring 14x2	7000767	1	
54	Cover plate ECO60/70/80 W QH	1074691	1	
55	Hose kit - lubricant ECO W	7000514	1	(POS.56-58 incl.)
56	Straight Push-in M8x1	790185	2	
57	Pipe stub straight Push-in	790175	2	
58	Hose 2m - lubricant ECO	790176	1	
59	Machine cable ECO70 W DC2	1048528	1	Attach to Left 12P
60	Power plug ECO W Hitch (12P, 6P)	1042243	1	Cable gland torque: 6Nm
63	Block ECO80 W 3hy. Complete V3	1076540	1	(POS.39, 41-42, 44 incl.)
66	Bushing 20/16	1048746	3	
67	Screw MC6S M16x35 12.9 ZFSHL	6000410	3	Loxal 83-52
76	Transport Protection ECO-Block	1050611	1	Part of make up



POS in order of assembly

EC-Oil
ss9 & ss10 (SVAB)



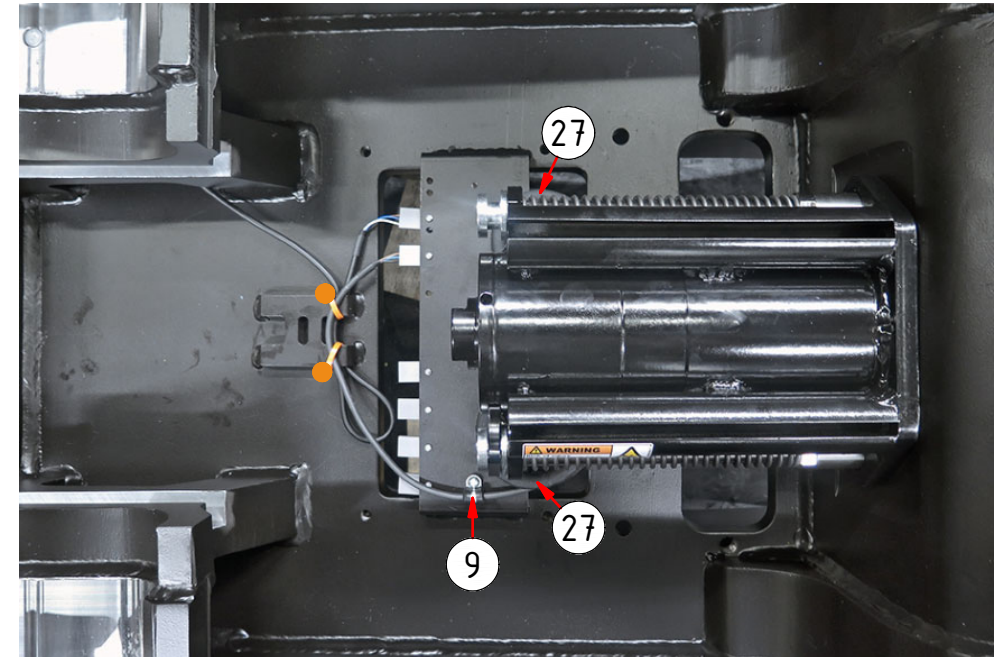
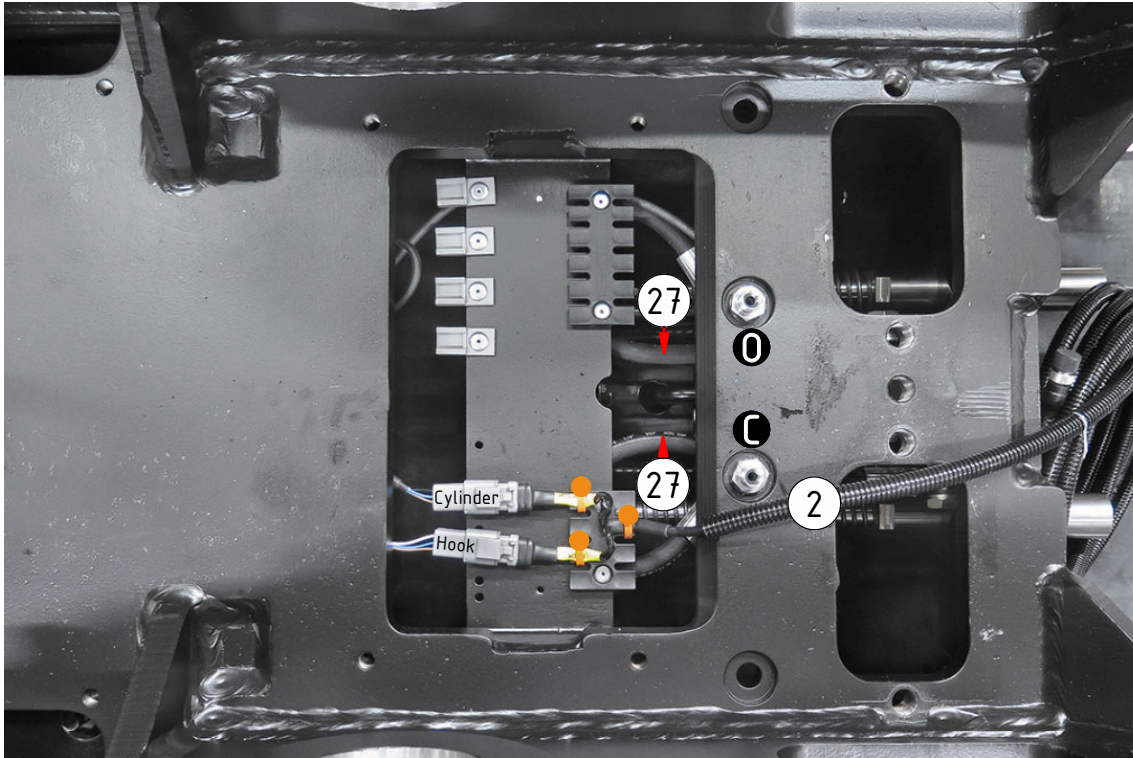
POS	DESCRIPTION	PART	QTY	COMMENTS
2	Cable QS - QLM - Quick hitch	842149	1	Attach to QS sensors
3	Cable QS - QLM - Tilt rotator	842148	1	Attach to Left 6P
8	Screw K6S M5x8 10.9 FZB	611801	1	QTY: 4 for ECO coverplate
38	Block ECO80W 3hy. 1cl. Compl. V3	1074034	1	(POS.39, 41-42, 44-45 incl.)
39	Coupling ECO W 1" V3	1056060	2	Torque: 60Nm. (POS.40 incl.)
40	Flat sealing for ECO 1" V3	1056072	2	
41	Dirt protection Block ECO 1"	1045166	2	
42	Coupling ECO W 1/2" V3	1054580	1	Torque: 60Nm. (POS.43 incl.)
43	Flat sealing for ECO 1/2" V3	1050018	1	
44	Dirt protection Block ECO 1/2"	1028229	2	
45	Lubrication kit ECO W V2	1050794	1	(POS.46-52 incl.)
46	Spring 6058	1024113	1	
47	Piston sealing KPOR130 12x7,1x2,2	1024112	2	(O-ring incl. with seal ring)
48	Grease piston	1024111	1	
49	O-ring 3,69x1,78	1024115	1	
50	Nut grease piston	1047688	1	Wrap with thread sealing tape
51	O-ring 9,25x1,78	712429	1	Located inside nut
52	O-ring 14x2	7000767	1	
54	Cover plate ECO60/70/80 W QH	1074691	1	
55	Hose kit - lubricant ECO W	7000514	1	(POS.56-58 incl.)
56	Straight Push-in M8x1	790185	2	
57	Pipe stub straight Push-in	790175	2	
58	Hose 2m - lubricant ECO	790176	1	
60	Power plug ECO W Hitch (12P, 6P)	1042243	1	Cable gland torque: 6Nm
63	Block ECO80 W 3hy. Complete V3	1076540	1	(POS.39, 41-42, 44 incl.)
64	Machinecable ECO70W ss9-2 (1x 12P)	1036846	1	Attach to Left 12P
65	Machinecable ECO70W SVAB (2x 12P)	1029500	1	Attach to both 12P
66	Bushing 20/16	1048746	3	
67	Screw MC6S M16x35 12.9 ZFSL	6000410	3	Loxal 83-52
68	Cable ePS ECO W ss9,ss10(SVAB)	1042246	1	Attach to Right 6P
76	Transport Protection ECO-Block	1050611	1	Part of make up

POS in order of assembly

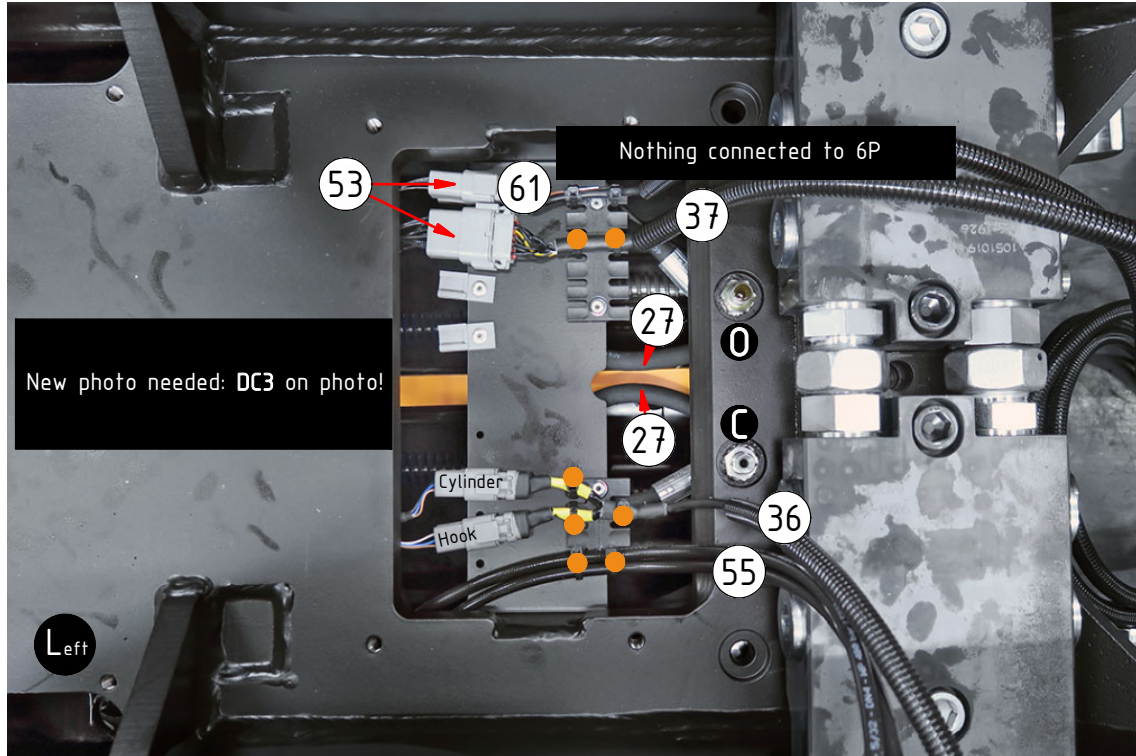
Without EC-Oil

POS	DESCRIPTION	PART	QTY	COMMENTS
2	Cable QS - QLM - Quick hitch	842149	1	Attach to QS sensors
9	Rubber steel clamp ø6	6000027	1	
27	Hose Lock	7000943	2	
●	Use cable ties			

POS in order of assembly

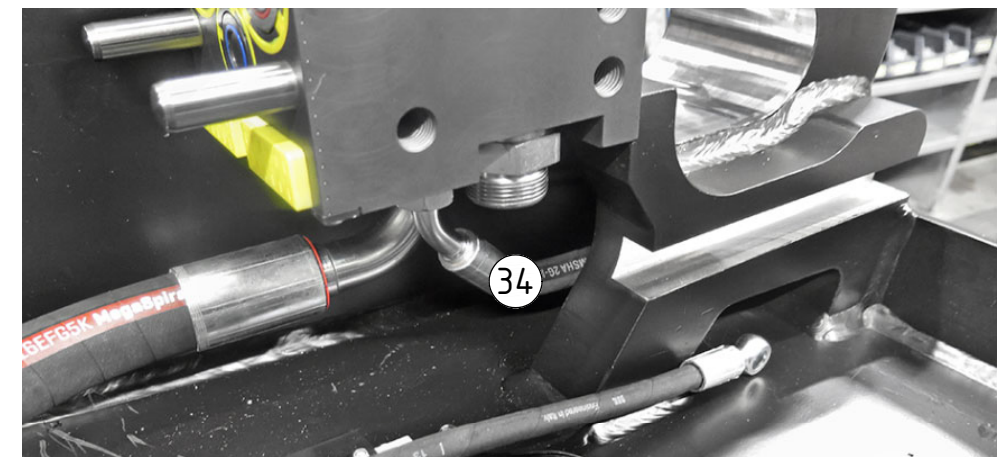
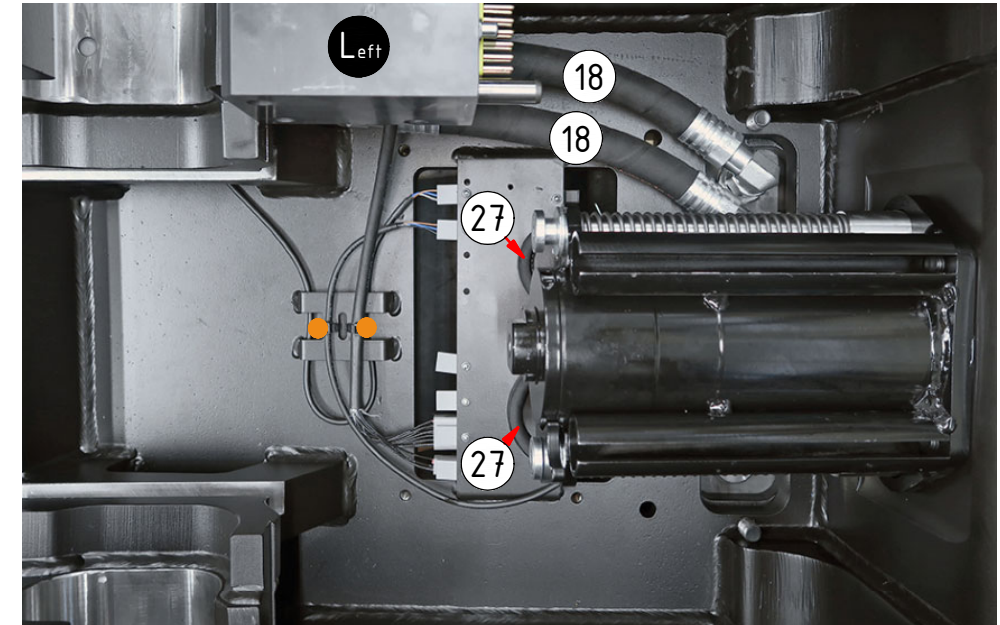


EC-Oil
DC3

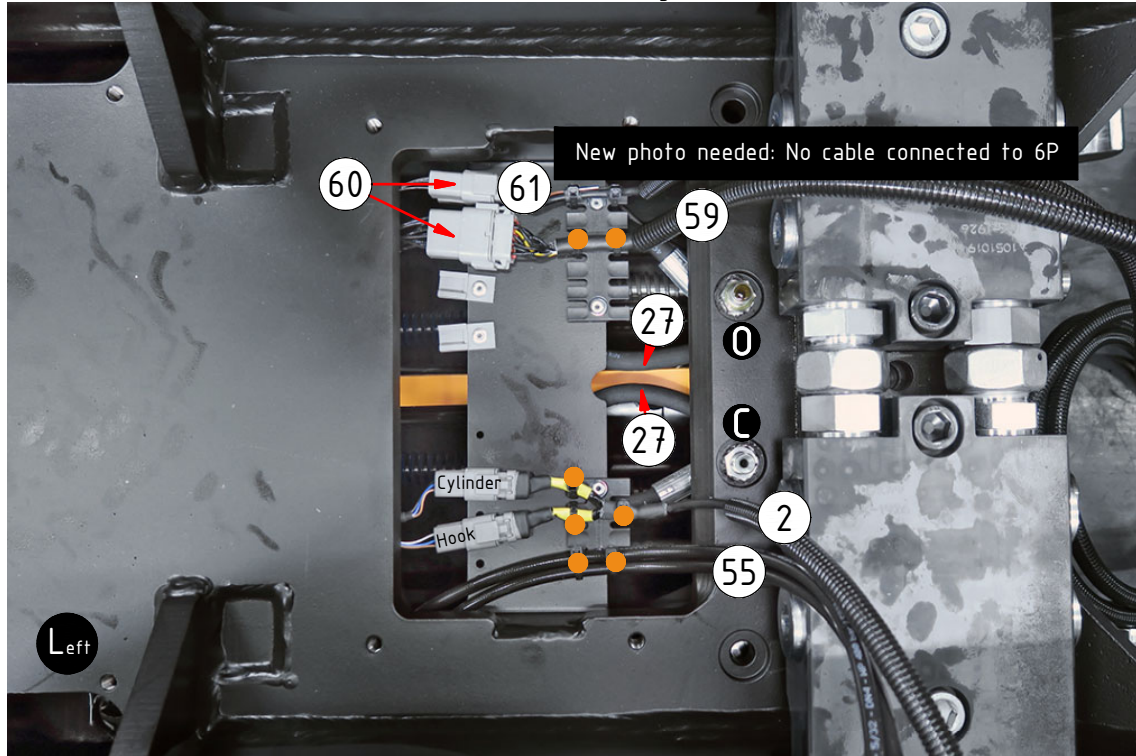


POS	DESCRIPTION	PART	QTY	COMMENTS
18	Hose ECO80 W connection block 1"	7000882	2	QTY: 4 for 2bl.
27	Hose Lock	7000943	2	
34	Hose Drain	7001373	1	QTY: 2 for 2bl.
36	Cable QS -QLM- Machine hitch 3,4m	8000863	1	Attach to QS sensors
37	Cable ECO W DC3 (4S, 4P)	8002297	1	Attach to 4P
53	Power plug ECO W Hitch (4P, 6P)	8002100	1	Cable gland torque: 6Nm
55	Hose kit - lubricant ECO W	7000514	1	(POS.56-58 incl.)
61	Plug for 6P	8000620	1	QTY depends on config.
●	Use cable ties			

POS in order of assembly

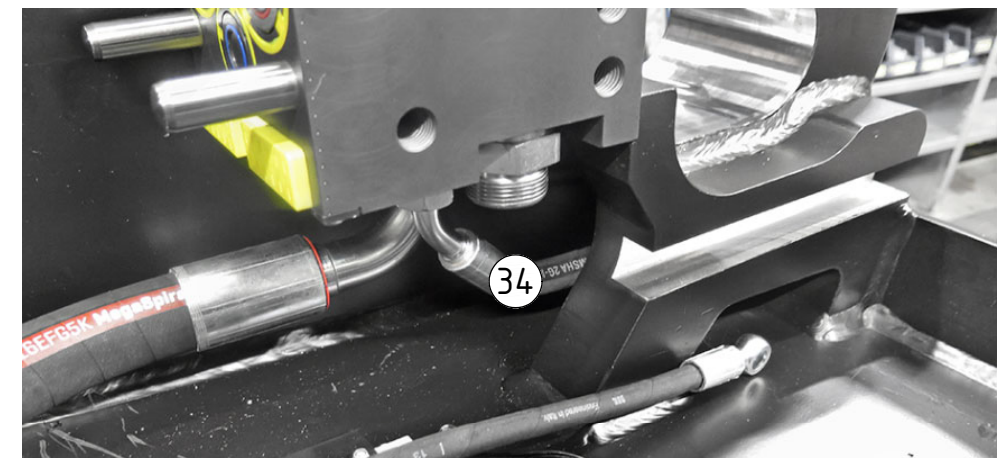
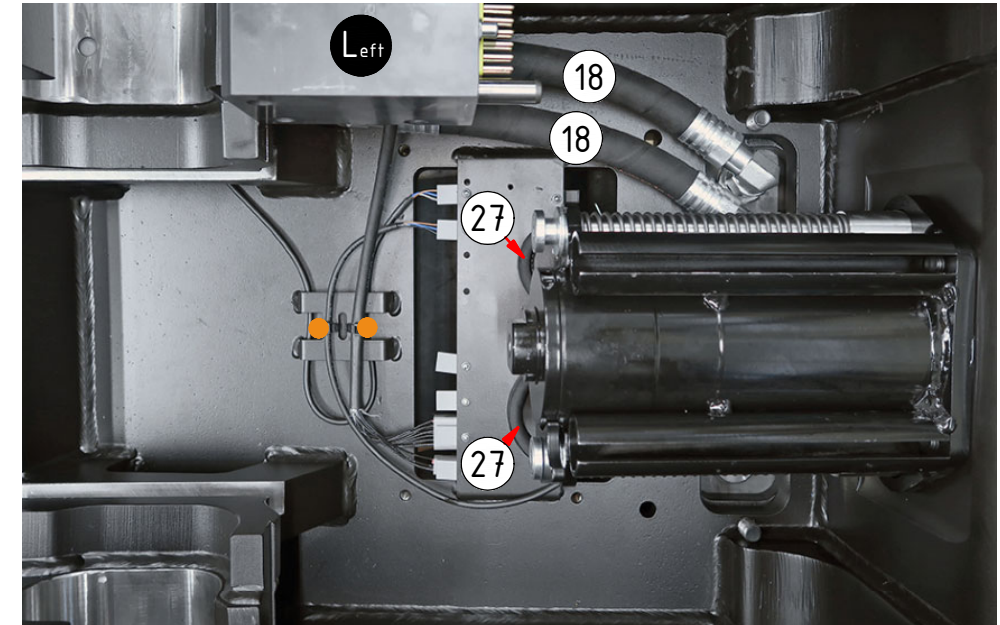


EC-Oil
DC2 Std. config.

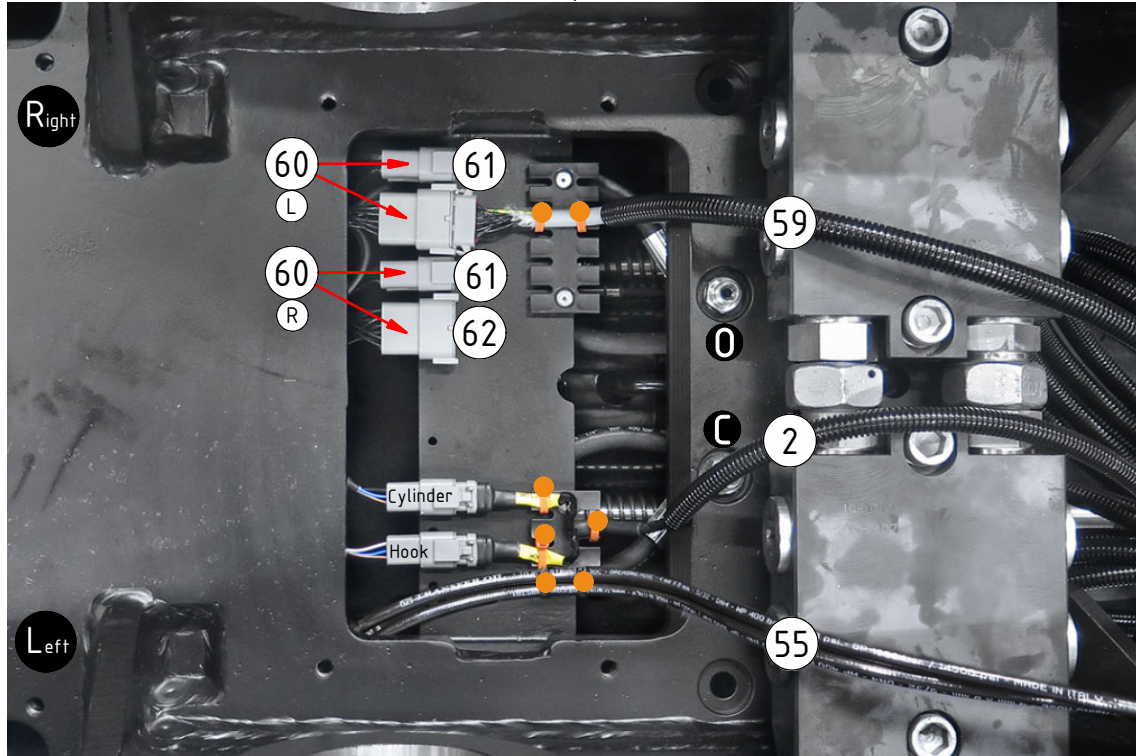


POS	DESCRIPTION	PART	QTY	COMMENTS
2	Cable QS - QLM - Quick hitch	842149	1	Attach to QS sensors
18	Hose ECO80 W connection block 1"	7000882	2	QTY: 4 for 2bl.
27	Hose Lock	7000943	2	
34	Hose Drain	7001373	1	QTY: 2 for 2bl.
55	Hose kit - lubricant ECO W	7000514	1	(POS.56-58 incl.)
59	Machine cable ECO70 W DC2	1048528	1	Attach to Left 12P
60	Power plug ECO W Hitch (12P, 6P)	1042243	1	Cable gland torque: 6Nm
61	Plug for 6P	8000620	1	QTY depends on config.
●	Use cable ties			

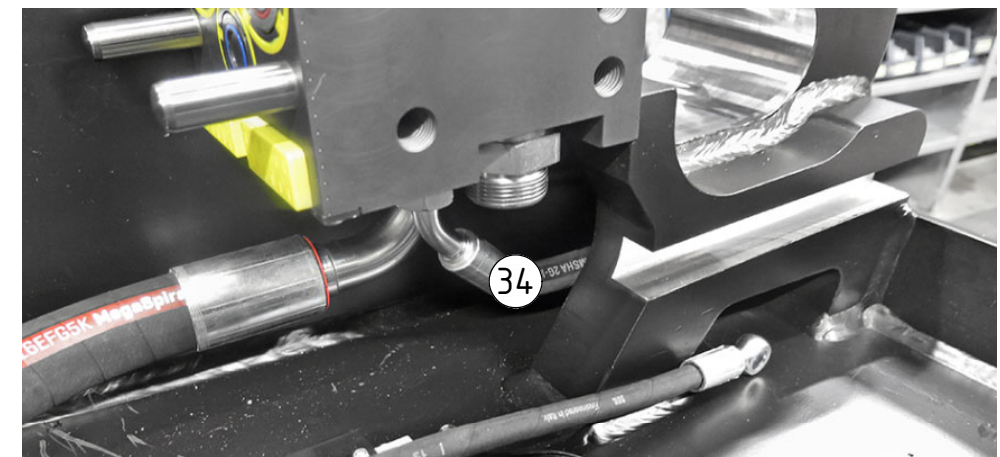
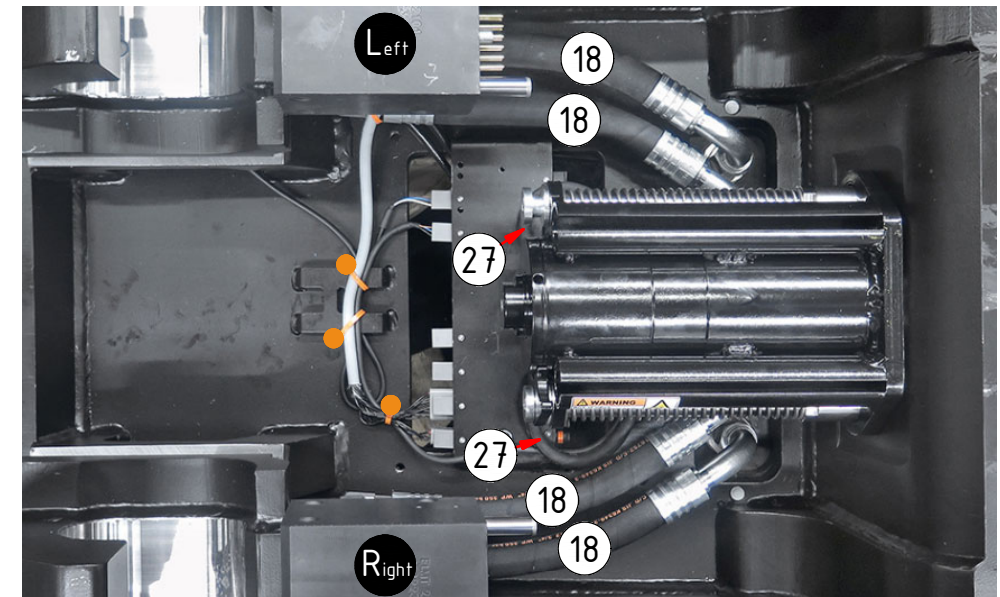
POS in order of assembly



EC-Oil
DC2 Option 2bl.

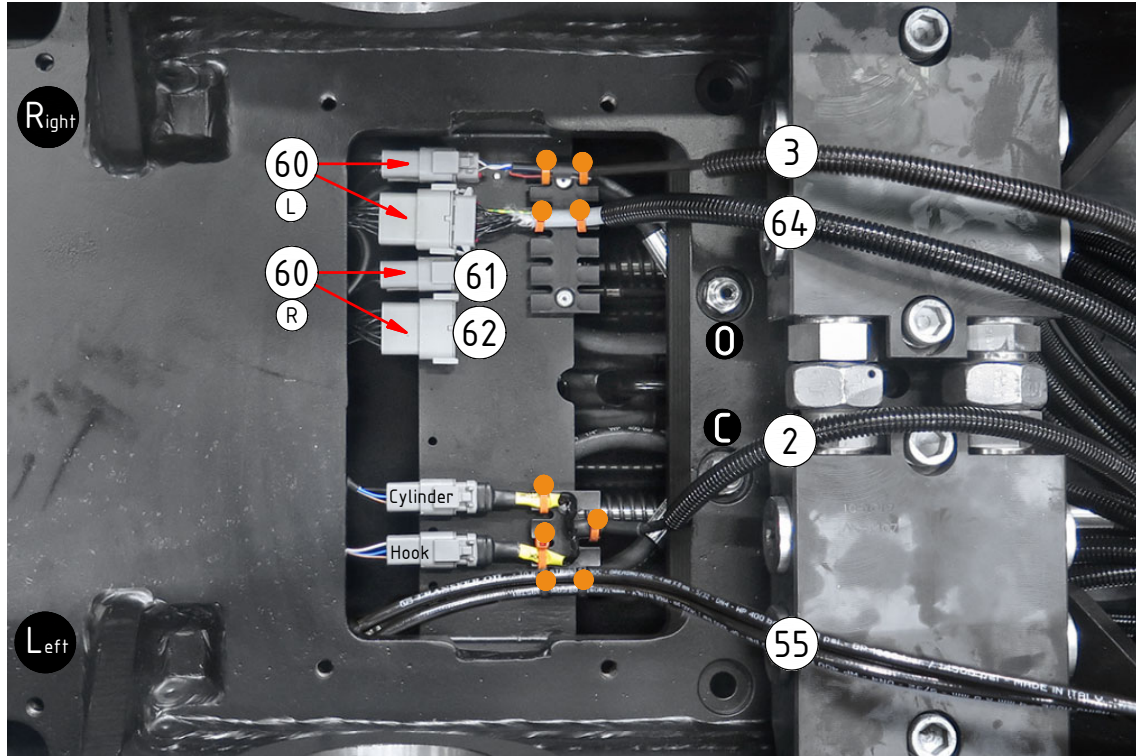


POS	DESCRIPTION	PART	QTY	COMMENTS
2	Cable QS - QLM - Quick hitch	842149	1	Attach to QS sensors
18	Hose ECO80 W connection block 1"	7000882	2	QTY: 4 for 2bl.
27	Hose Lock	7000943	2	
34	Hose Drain	7001373	1	QTY: 2 for 2bl.
55	Hose kit - lubricant ECO W	7000514	1	(POS.56-58 incl.)
59	Machine cable ECO70 W DC2	1048528	1	Attach to Left 12P
60	Power plug ECO W Hitch (12P, 6P)	1042243	1	Cable gland torque: 6Nm
61	Plug for 6P	8000620	1	QTY depends on config.
62	Plug for 12P	8002058	1	QTY depends on config.
●	Use cable ties			

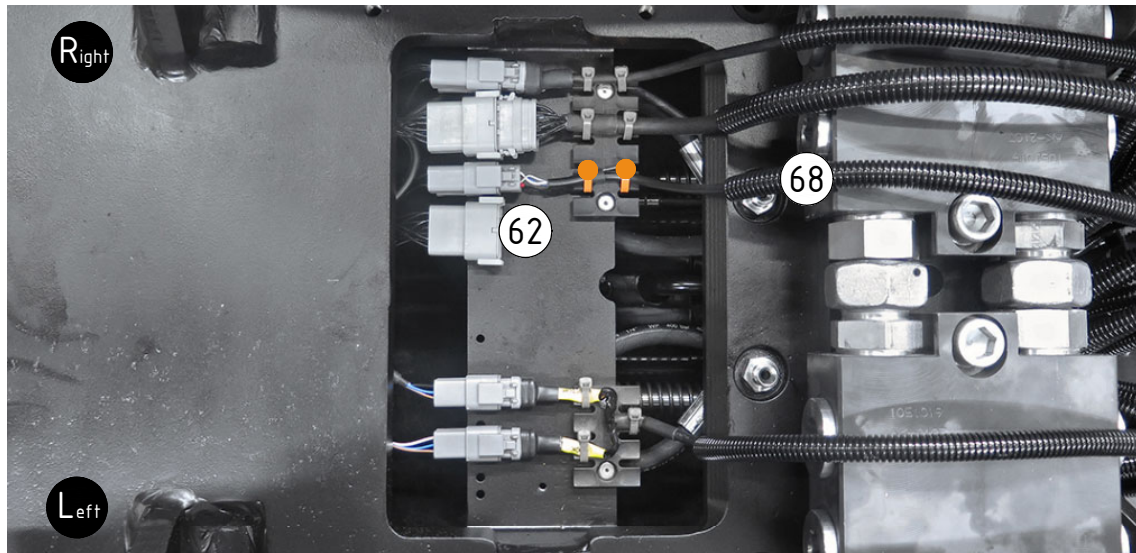


POS in order of assembly

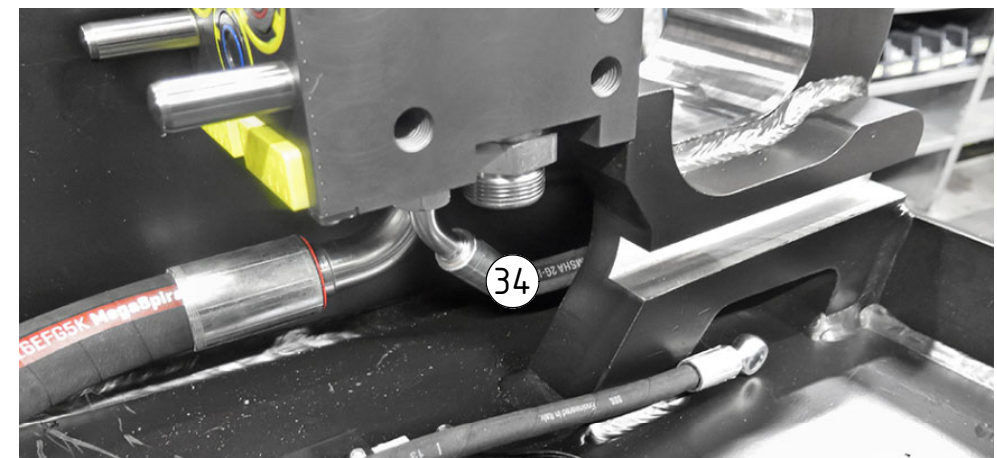
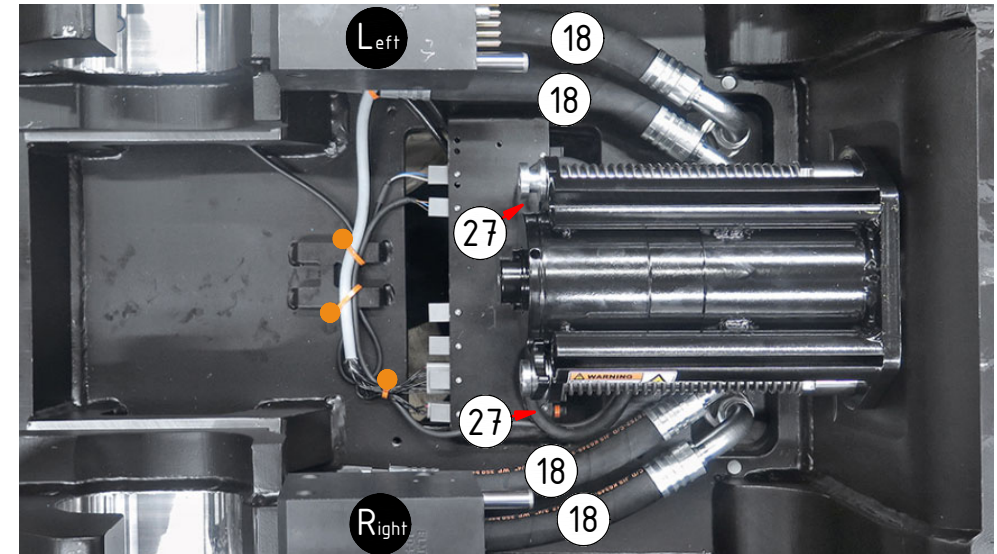
EC-Oil
ss9



ePS:

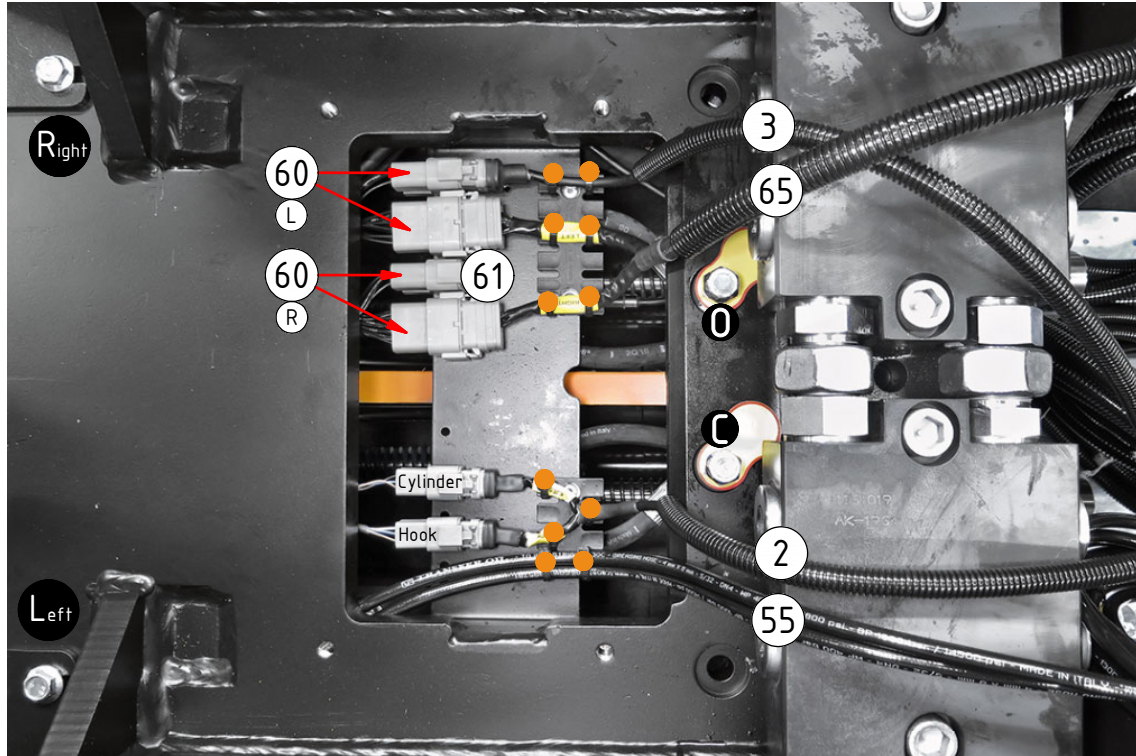


POS	DESCRIPTION	PART	QTY	COMMENTS
2	Cable QS - QLM - Quick hitch	842149	1	Attach to QS sensors
3	Cable QS - QLM - Tilt rotator	842148	1	Attach to Left 6P
18	Hose ECO80 W connection block 1"	7000882	2	QTY: 4 for 2bl.
27	Hose Lock	7000943	2	
34	Hose Drain	7001373	1	QTY: 2 for 2bl.
55	Hose kit - lubricant ECO W	7000514	1	(POS.56-58 incl.)
60	Power plug ECO W Hitch (12P, 6P)	1042243	1	Cable gland torque: 6Nm
61	Plug for 6P	8000620	1	QTY depends on config.
62	Plug for 12P	8002058	1	QTY depends on config.
64	Machinecable ECO70W ss9-2 (1x 12P)	1036846	1	Attach to Left 12P
68	Cable ePS ECO W ss9,ss10(SVAB)	1042246	1	Attach to Right 6P
	● Use cable ties			

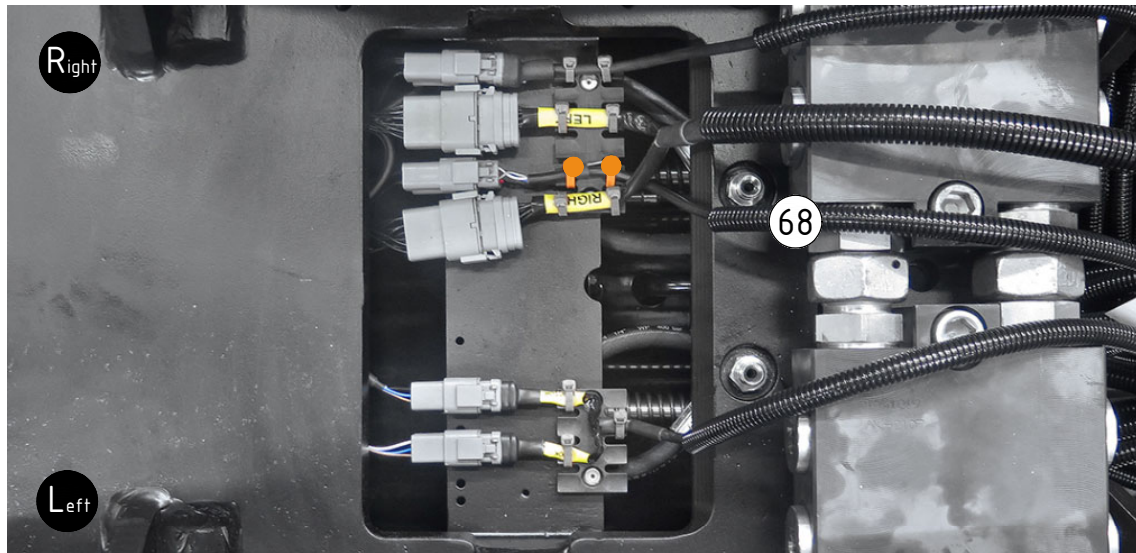


POS in order of assembly

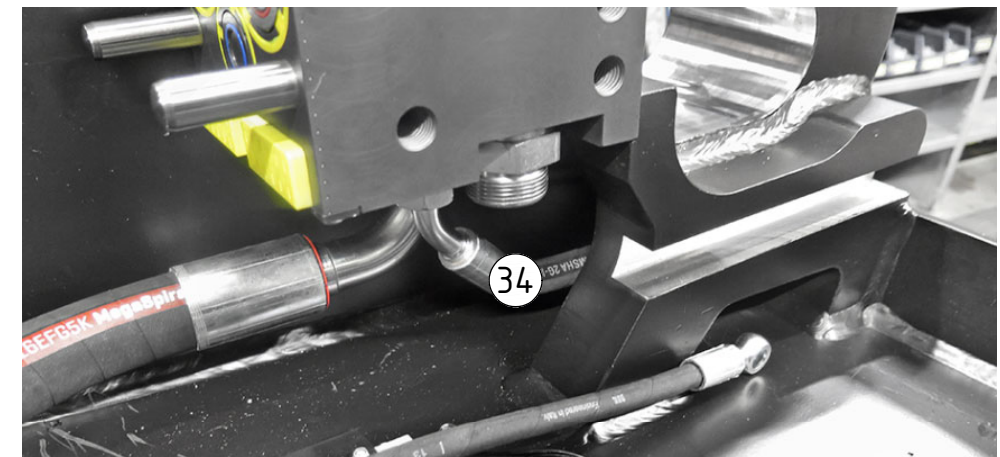
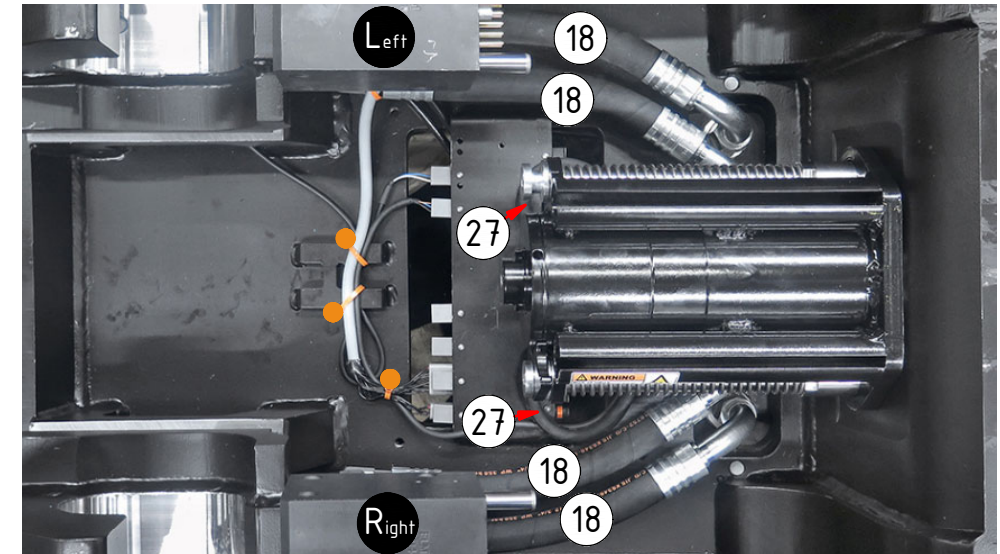
EC-Oil
ss10 (SVAB)



ePS:



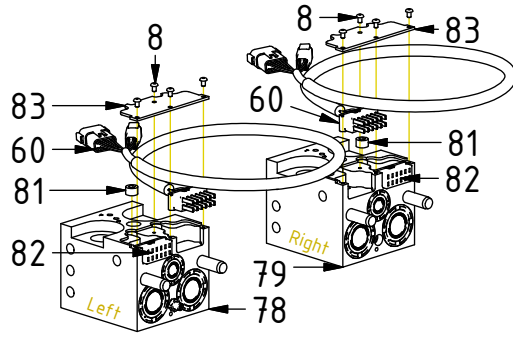
POS	DESCRIPTION	PART	QTY	COMMENTS
2	Cable QS - QLM - Quick hitch	842149	1	Attach to QS sensors
3	Cable QS - QLM - Tilt rotator	842148	1	Attach to Left 6P
18	Hose ECO80 W connection block 1"	7000882	2	QTY: 4 for 2bl.
27	Hose Lock	7000943	2	
34	Hose Drain	7001373	1	QTY: 2 for 2bl.
55	Hose kit - lubricant ECO W	7000514	1	(POS.56-58 incl.)
60	Power plug ECO W Hitch (12P, 6P)	1042243	1	Cable gland torque: 6Nm
61	Plug for 6P	8000620	1	QTY depends on config.
65	Machinecable ECO70W SVAB (2x 12P)	1029500	1	Attach to both 12P
68	Cable ePS ECO W ss9,ss10(SVAB)	1042246	1	Attach to Right 6P
	● Use cable ties			



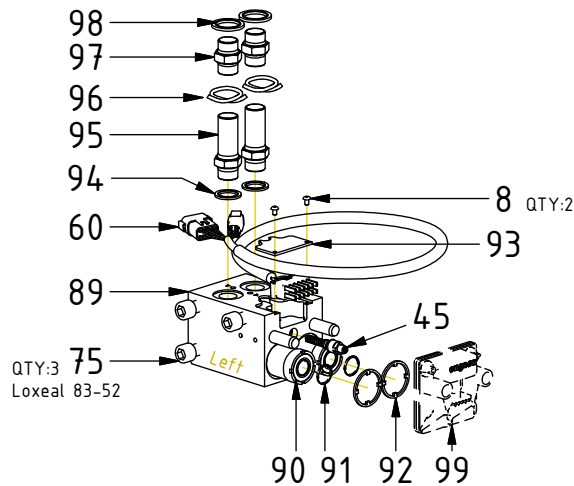
POS in order of assembly

SPARE PARTS

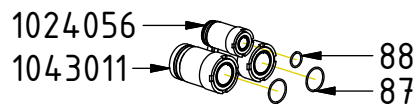
Blocks and placement until 2024-06:



ECO70 W as left block until 2022-12:



Until 2020-03:



O-rings between versions are not compatible

POS	DESCRIPTION	PART	QTY	COMMENTS
8	Screw K6S M5x8 10.9 FZB	611801	1	QTY: 4 for ECO coverplate
38	Block ECO80W 3hy. 1cl. Compl. V3	1074034	1	(POS.39, 41-42, 44-45 incl.)
39	Coupling ECO W 1" V3	1056060	2	Torque: 60Nm. (POS.40 incl.)
40	Flat sealing for ECO 1" V3	1056072	2	
42	Coupling ECO W 1/2" V3	1054580	1	Torque: 60Nm. (POS.43 incl.)
43	Flat sealing for ECO 1/2" V3	1050018	1	
45	Lubrication kit ECO W V2	1050794	1	(POS.46-52 incl.)
60	Power plug ECO W Hitch (12P, 6P)	1042243	1	Cable gland torque: 6Nm
63	Block ECO80 W 3hy. Complete V3	1076540	1	(POS.39, 41-42, 44 incl.)
75	Screw MC6S M16x30 12.9 ZFSL	6000201	5	
78	Block ECO80W 3hy. 1cl. Compl. V2	1055721	1	(POS.39, 41-42, 44-45, 80 incl.)
79	Block ECO80W 3hy. Complete V2	1055722	1	(POS.39, 41-42, 44, 80 incl.)
80	Block ECO80 W Hitch	1050478	1	
81	Pipe plug DIN 906 M16x1,5	711529	1	
82	Plug ECO W - Hitch	1041814	1	
83	Coverplate block ECO80 W	1045175	1	
84	Cable ECO Tiltangle sensor DC2 ePS	1049315	1	Used on 6P (DC2 ePS) until 2022-11
85	Cable ECO W Tiltanglesensor ss9-2	1047113	1	Attach to Right 12P
86	Cable ECO W Tiltanglesensor SVAB	1047111	1	L.Bl: WH>11. R.Bl: BR>1, BL>2, GR>11
87	O-ring 29.87x1.78 PU/90	1043083	2	Used until 2020-03
88	O-ring 17.17x1.78 PU/90	710913	1	Used until 2020-03 Separate seal kit: 7000046
89	Block ECO70 W Hitch	1042478	1	
90	Coupling ECO W 3/4" V3	1050579	2	Torque: 60Nm. (POS.91 included)
91	Flat sealing for ECO 3/4" V3	1050580	2	Replaces o-ring 1024735. O-rings between versions not compatible
92	Dirt protection Block ECO 3/4"	1028275	2	
93	Coverplate block ECO70 W	1041139	1	
94	Washer GBR12 3/4	710706	2	
95	Adapter 1260-12-57 (3/4")	712227	2	
96	Hose 3/4"	7000944	2	
97	Adapter 135-12-16 - 3/4"x1"	7000723	2	
98	Washer GBR16 1	710707	2	
99	Transport Protection ECO-Block	1047858	1	Part of make up

ePS1:

