

COVERSHEET

Planned document changes:

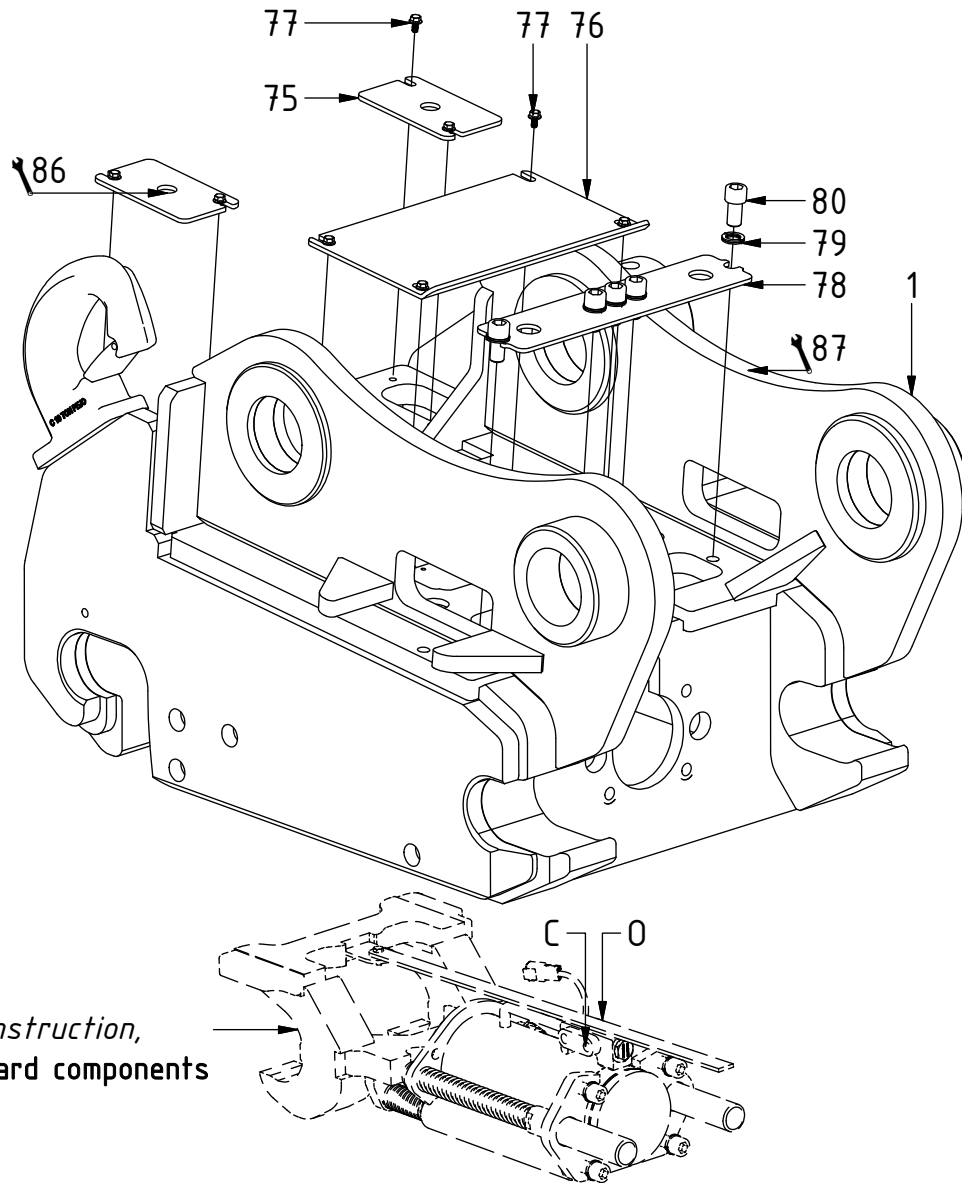
Briefly:

No planned changes.

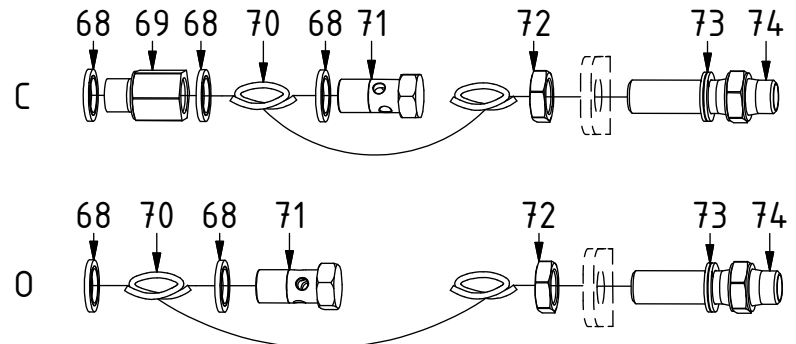
Document changes:

Date:	Change:	Rev. after change:
2021-12-14	Configuration added with ECO80 W as left block.	E
2020-05-21	ECO 5 hyd updated.	D
2020-05-14	ECO couplings replaced. 5 hyd updated and photos added.	C
2019-12-09	Photo for ECO right block ss10 (SVAB) added.	B
2019-10-31	ECO distance plate added. ePS cables added.	A
2019-08-30	New instruction.	-

Quick hitch - QS80



POS	DESCRIPTION	PART	QTY	COMMENTS
1	Quick hitch is selected via engcon			(Machine dependent)
68	Washer GBR04 1/4"	710702	5	
69	Adapter 236-04-04 (1/4")	1013885	1	
70	Hose Lock	7000943	2	
71	Banjo bolt 4451-04 (1/4")	710271	2	
72	Counternut 1270-04 (1/4")	710250	2	
73	Washer NL 1/2"	611096	2	
74	Adapter 1260-04-40 (1/4")	710261	2	
75	Small lid	1050955	2	
76	Lid QS80 V2	1050471	1	
77	Screw M6SF 8x12H Riffled	6000120	8	
78	Lid QS80 without ECO	1051541	1	Without EC-Oil
79	Washer NL 16mm	611044	5	Without EC-Oil
80	MC6S M16x30 12.9 ZFSHL	6000201	5	Without EC-Oil
83	Adapter 1260-08-45 (1/2")	710263	1	
84	Washer NL 20mm	611098	1	
85	Counternut 1270-08 (1/2")	710254	1	
86	Use washer, adaptor, nut: POS.83, 84, 85			For block with 3 hyd
87	Punch serial number into hitch			



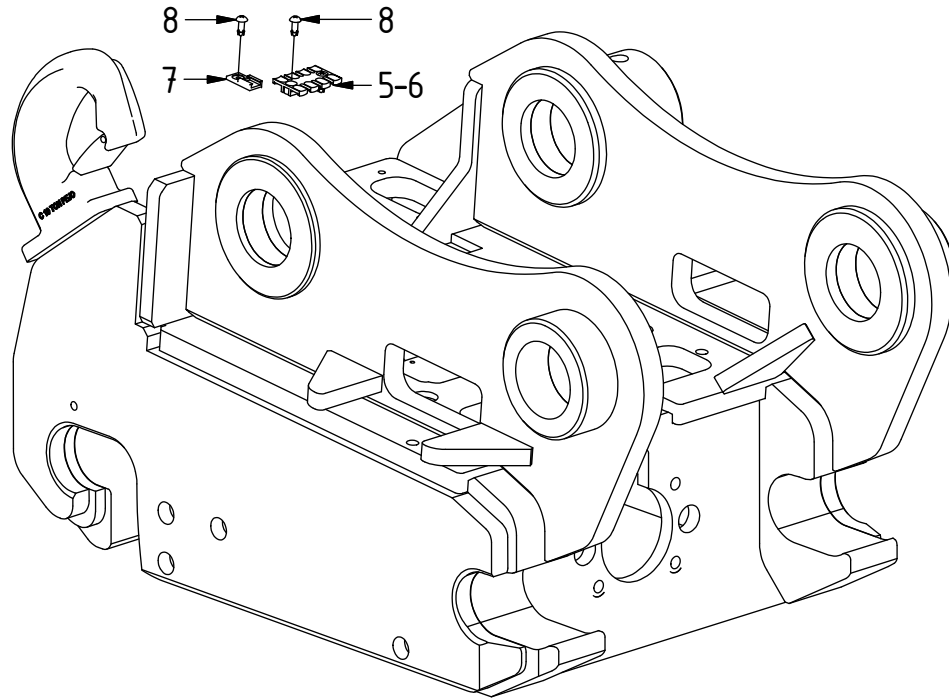
See instruction,
Standard components

Quick hitch - QS80

Without EC-Oil

POS	DESCRIPTION	PART	QTY	COMMENTS
4	Cable QS - QLM - Quick hitch	842149	1	Attach to QS sensors
5	Strain relief plate ZL60	8000703	1	
6	Strain relief plate ZL87	8000704	1	
7	Holder Deutsch coupling	810662	6	
8	Blind rivet 4,0x12,3 DIN7337	6000294	10	

POS in order of assembly

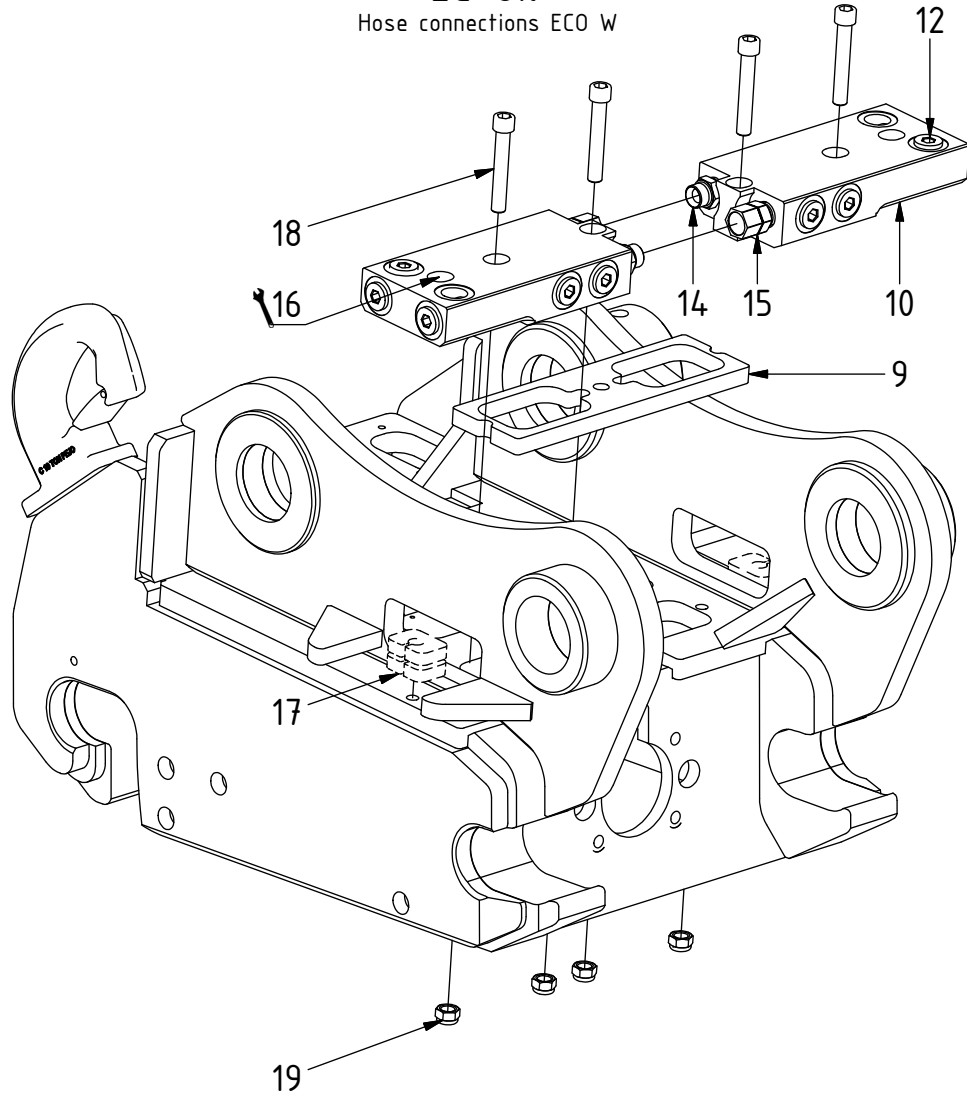


Cables QS:

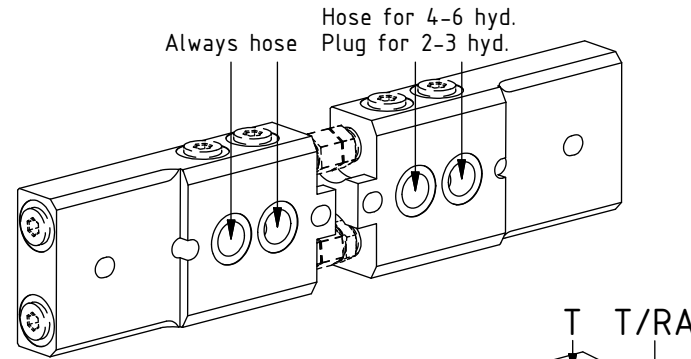


Quick hitch - QS80


EC-Oil Hose connections ECO W




POS	DESCRIPTION	PART	QTY	COMMENTS
9	Distance plate ECO	1047086	1	
10	Connection block QS80	1051019	2	
11	Pipe Plug 3/4" DIN 906	7000261	4	Loctite 5400. QTY: 6 for ss9
12	Plug VSTIR16ED 1"	7000945	14	QTY depends on config. (14-16)
13	Washer GBR16 1	710707	4	QTY: 6 for 4-6 hyd.
14	Adapter XGE 25-SR-ED (ext)	7000947	2	QTY depends on config. (2-10)
15	Adapter EGE 25-SR-ED (int)	7000946	2	
16	If middle hole is covered by side plate: use outer hole			Use with POS.17
17	Spacer washer	1051456	4	Used if required
18	MC6S M16x100 12.9	610532	4	
19	Hex. Nut M16 Nylon Lock	610926	4	
20	Adapter 135-12-16 - 3/4"x1"	7000723	2	
21	Hose Bl. 3/4"	7000944	2	
22	Hose Bl. 1"	7000882	2	
23	Adapter 136-16-16	710127	2	
24	Protectioncap	7000948	2	




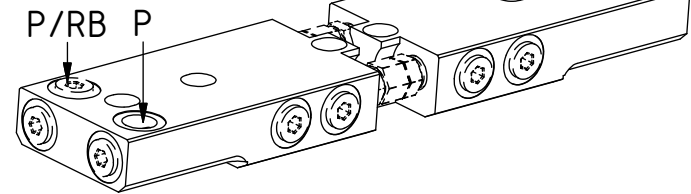
ECO70:
POS.13,20,21



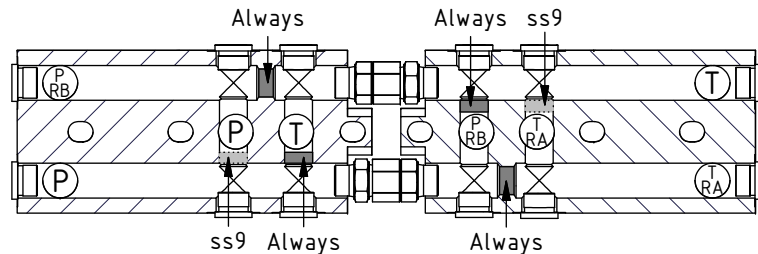
ECO80:
POS.13,14,22




T & P:
POS.13,23,24

For ss9:
P & P/RB
switches place



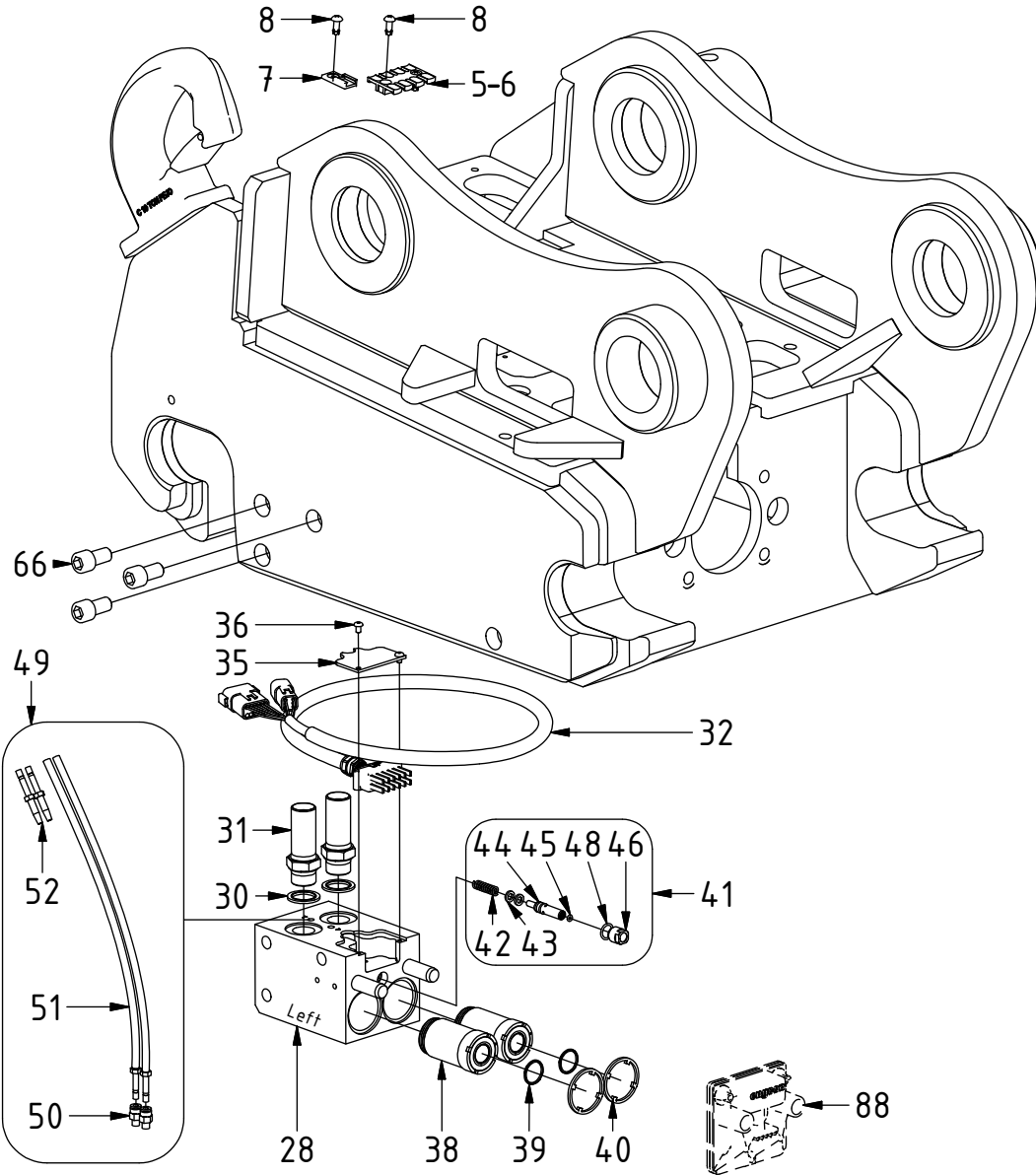
Pipe plug
POS.11



For ss9:
2 more
plugs added

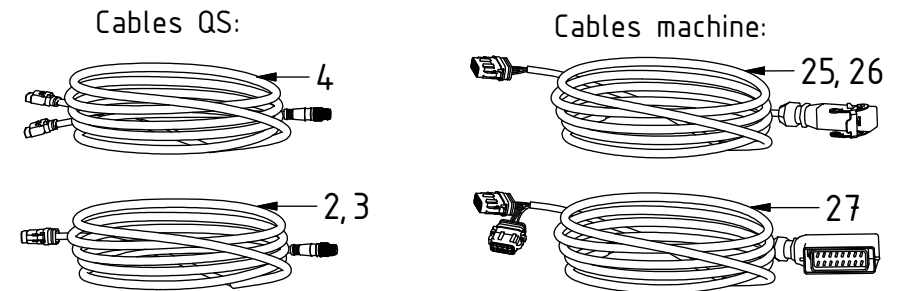
Quick hitch - QS80

EC-Oil
Left block ECO70 W (Std)

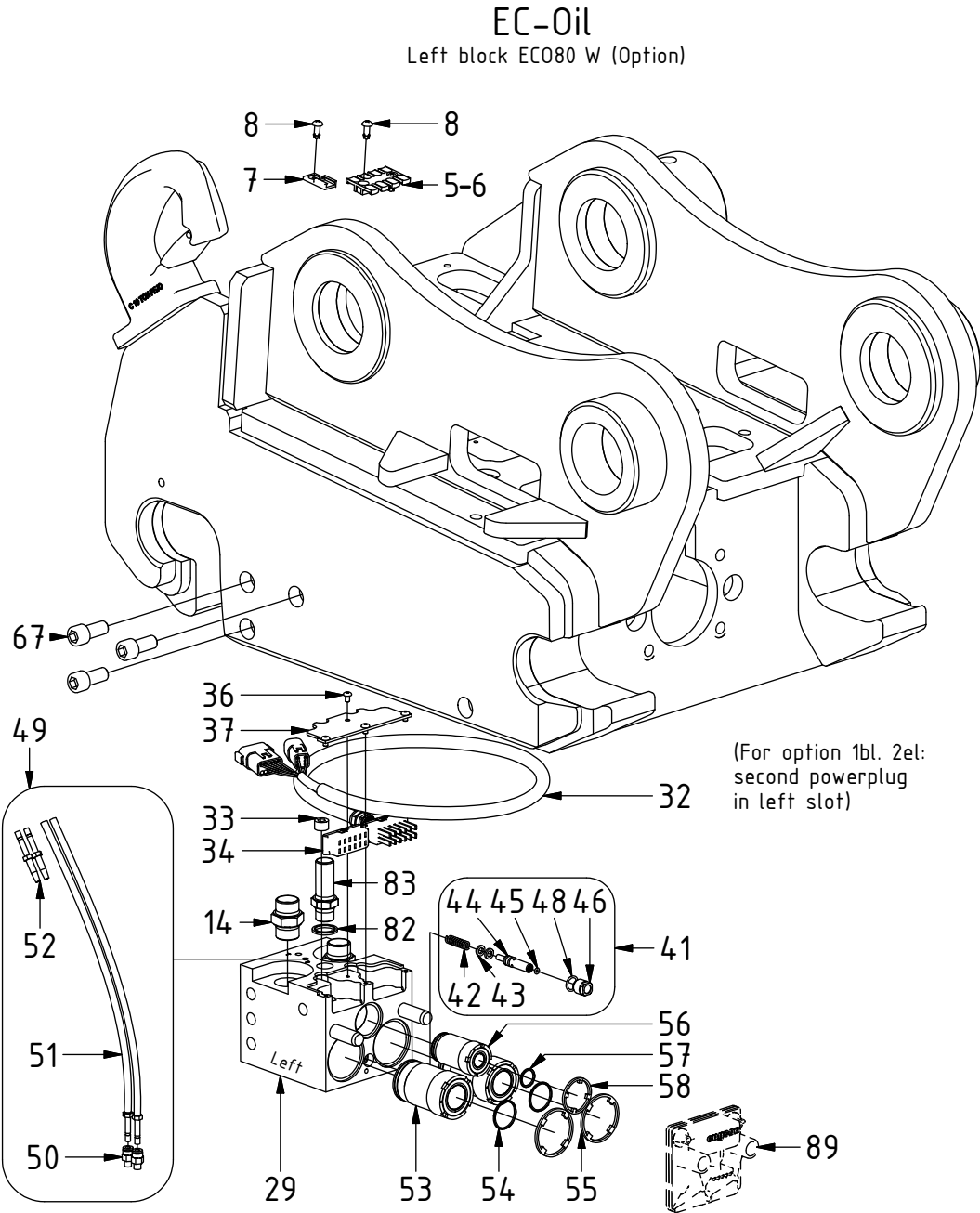


POS	DESCRIPTION	PART	QTY	COMMENTS
2	Cable ECO W Tilt angle sensor DC2	1049315	1	Attach to POS.32 6P (Only DC2)
3	Cable QS - QLM - Tilt rotator	842148	1	Attach to POS.32 6P (Not on DC2)
4	Cable QS - QLM - Quick hitch	842149	1	Attach to QS sensors
5	Strain relief plate ZL60	8000703	1	
6	Strain relief plate ZL87	8000704	1	
7	Holder Deutsch coupling	810662	6	
8	Blind rivet 4,0x12,3 DIN7337	6000294	10	
25	Cable ECO W Machine DC2	1048528	1	Attach to POS.32 12P
26	Cable ECO70 Machine ss9-2	1036846	1	Attach to POS.32 12P
27	Cable ECO70 Machine ss10(SVAB)	1029500	1	Attach to POS.32 12P
28	Block ECO70 W - Quick hitch	1042478	1	
30	Washer GBR12 3/4	710706	2	
31	Adapter 1260-12-57 (3/4")	712227	2	
32	Power plug ECO W - Quick hitch	1042243	1	
35	Coverplate block ECO W	1041139	1	
36	K6S M5x8 10.9 FZB	611801	2	
38	Coupling ECO W 3/4" V3	1050579	2	Torque: 60Nm. (POS.39 included)
39	Flat sealing for ECO 3/4" V3	1050580	2	
40	Dirt protection Block ECO 3/4"	1028275	2	
41	Lubrication kit ECO W v2	1050794	1	(POS.42-48 included)
42	Spring 6058	1024113	1	
43	Seal ring 12x7	1024112	2	(O-ring included with seal ring)
44	Grease piston	1024111	1	
45	O-ring 3,69x1,78	1024115	1	
46	Nut- grease piston	1047688	1	Wrap with thread sealing tape
47	O-ring 9,25x1,78	712429	1	Located inside POS.46
48	O-ring 14x2	7000767	1	
49	Hose kit - lubricant ECO W	7000514	1	(POS.50-52 included)
50	Adapter straight Push-in - M8x1	790185	2	
51	Hose 2m - lubricant ECO	790176	2	
52	Pipe stub straight Push-in	790175	2	
66	MC6S M16x30 12.9	610518	3	Loctite 2700
88	Cover ECO70 W magnet	1047858	1	Part of make up

POS in order of assembly

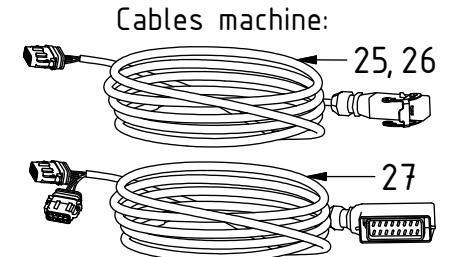
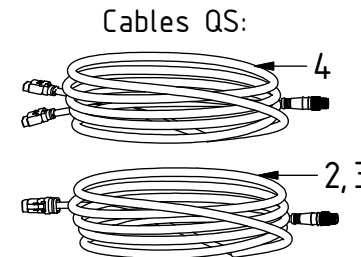


Quick hitch - QS80



POS	DESCRIPTION	PART	QTY	COMMENTS
2	Cable ECO W Tilt angle sensor DC2	1049315	1	Attach to POS.32 6P (Only DC2)
3	Cable QS - QLM - Tilt rotator	842148	1	Attach to POS.32 6P (Not on DC2)
4	Cable QS - QLM - Quick hitch	842149	1	Attach to QS sensors
5	Strain relief plate ZL60	8000703	1	
6	Strain relief plate ZL87	8000704	1	
7	Holder Deutsch coupling	810662	6	
8	Blind rivet 4,0x12,3 DIN7337	6000294	10	
14	Adapter XGE 25-SR-ED (ext)	7000947	2	QTY depends on config. (2-10)
25	Cable ECO W Machine DC2	1048528	1	Attach to POS.32 12P
26	Cable ECO70 Machine ss9-2	1036846	1	Attach to POS.32 12P
27	Cable ECO70 Machine ss10(SVAB)	1029500	1	Attach to POS.32 12P
29	Block ECO80 W - Quick hitch	1050478	1	
32	Power plug ECO W - Quick hitch	1042243	1	QTY: 2 for option 1bl. 2el.
33	Pipe plug DIN 906 M16x1,5	711529	1	
34	Plug ECO W - Hitch	1041814	1	
36	K6S M5x8 10.9 FZB	611801	2	
37	Coverplate block ECO80 W	1045175	2	
41	Lubrication kit ECO W v2	1050794	1	(POS.42-48 included)
42	Spring 6058	1024113	1	
43	Seal ring 12x7	1024112	2	(O-ring included with seal ring)
44	Grease piston	1024111	1	
45	O-ring 3,69x1,78	1024115	1	
46	Nut- grease piston	1047688	1	Wrap with thread sealing tape
47	O-ring 9,25x1,78	712429	1	Located inside POS.46
48	O-ring 14x2	7000767	1	
49	Hose kit - lubricant ECO W	7000514	1	(POS.50-52 included)
50	Adapter straight Push-in - M8x1	790185	2	
51	Hose 2m - lubricant ECO	790176	2	
52	Pipe stub straight Push-in	790175	2	
53	Coupling ECO W 1" V3	1056060	2	Torque: 60Nm. (POS.54 included)
54	Flat sealing for ECO 1" V3	1056072	2	
55	Dirt protection Block ECO 1"	1045166	2	
56	Coupling ECO W 1/2" V3	1054580	1	Torque: 60Nm. (POS.57 included)
57	Flat sealing for ECO 1/2" V3	1050018	1	
58	Dirt protection Block ECO 1/2"	1028229	1	
67	MC6S M16x35 12.9	6000128	3	Loctite 2700
82	Washer GBR08 1/2	710704	1	
83	Adapter 1260-08-45 (1/2")	710263	1	
89	Cover ECO80 W magnet	1050611	1	Part of make up

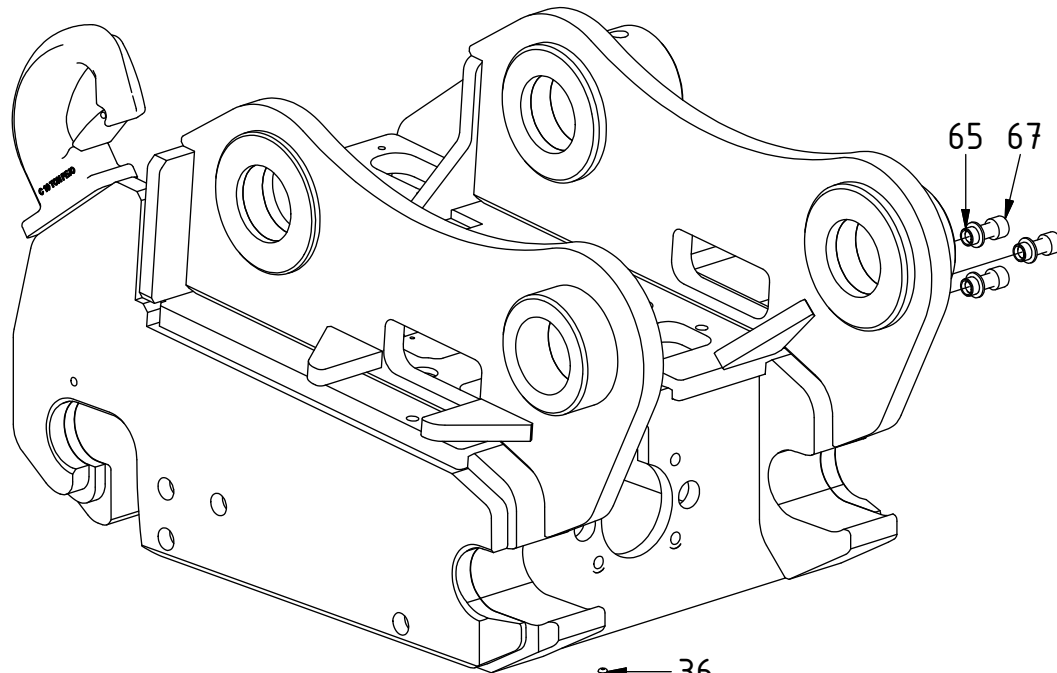
POS in order of assembly



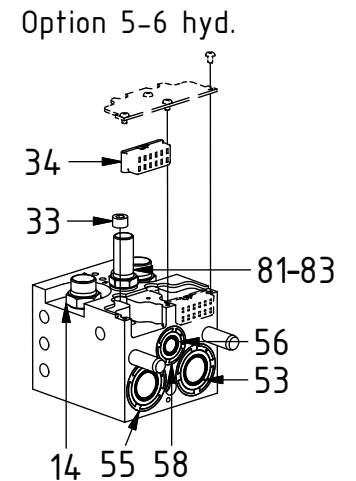
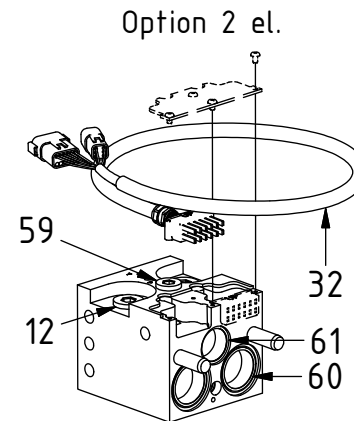
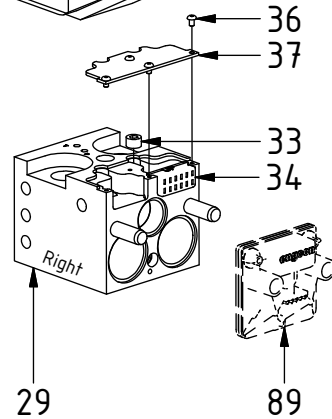
Quick hitch - QS80

POS in order of assembly

EC-Oil
Right block ECO80 W: DC2 Option 2Bl.

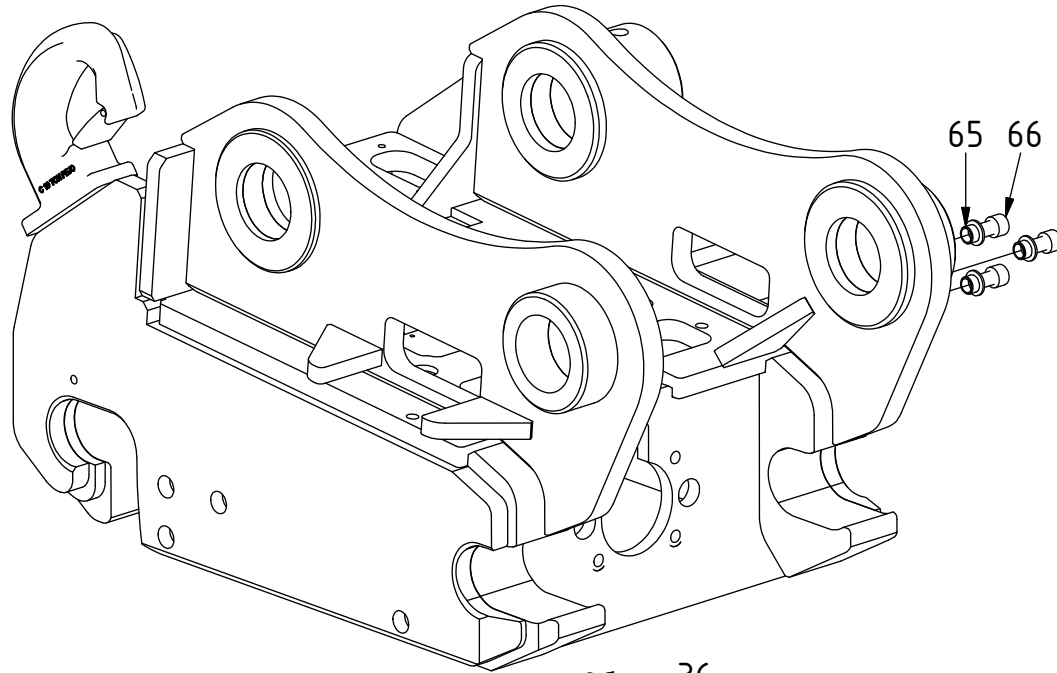


POS	DESCRIPTION	PART	QTY	COMMENTS
12	Plug VSTIR16ED 1"	7000945	14	QTY depends on config. (14-16)
14	Adapter XGE 25-SR-ED (ext)	7000947	2	QTY depends on config. (2-10)
29	Block ECO80 W - Quick hitch	1050478	1	
32	Power plug ECO W - Quick hitch	1042243	1	
33	Pipe plug DIN 906 M16x1,5	711529	1	
34	Plug ECO W - Hitch	1041814	1	
36	K6S M5x8 10.9 FZB	611801	2	
37	Coverplate block ECO80 W	1045175	2	
53	Coupling ECO W 1" V3	1056060	2	Torque: 60Nm. (POS.54 included)
54	Flat sealing for ECO 1" V3	1056072	2	
55	Dirt protection Block ECO 1"	1045166	2	
56	Coupling ECO W 1/2" V3	1054580	1	Torque: 60Nm. (POS.57 included)
57	Flat sealing for ECO 1/2" V3	1050018	1	
58	Dirt protection Block ECO 1/2"	1028229	1	
59	Plug 70125-08 (1/2")	711500	1	
60	Protection plug HECO hydraulic	2		
61	Protection plug HECO60 hydraulic	7000155	1	
65	Bushing 20/16	1048746	3	
67	MC6S M16x35 12.9	6000128	3	Loctite 2700
81	Hose Drain	7001373	1	
82	Washer GBR08 1/2	710704	1	
83	Adapter 1260-08-45 (1/2")	710263	1	
89	Cover ECO80 W magnet	1050611	1	Part of make up

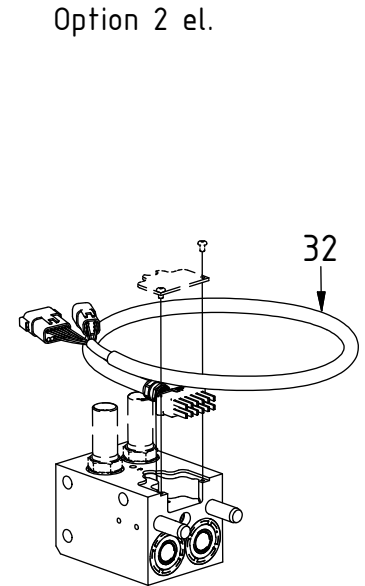
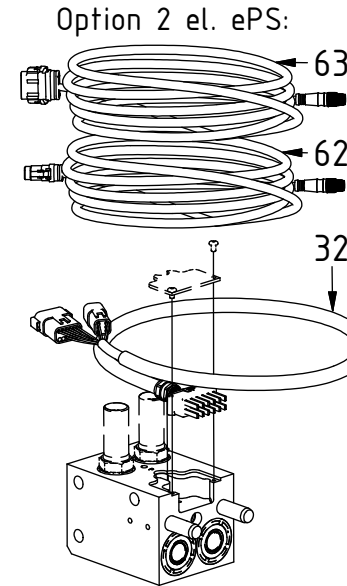
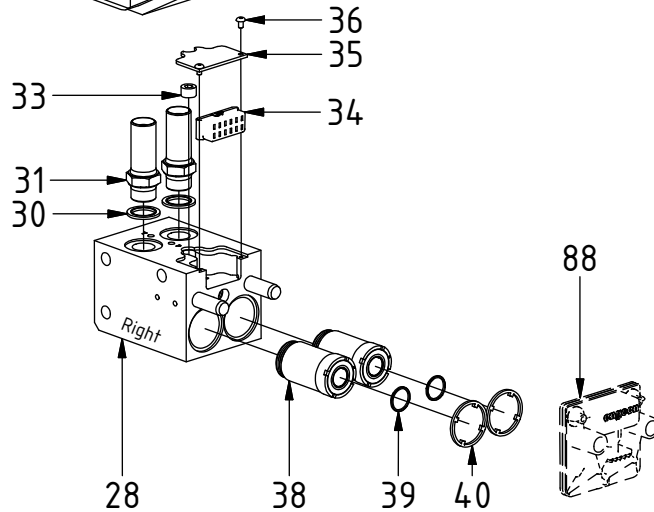


Quick hitch - QS80

EC-Oil
Right block ECO70 W: ss9

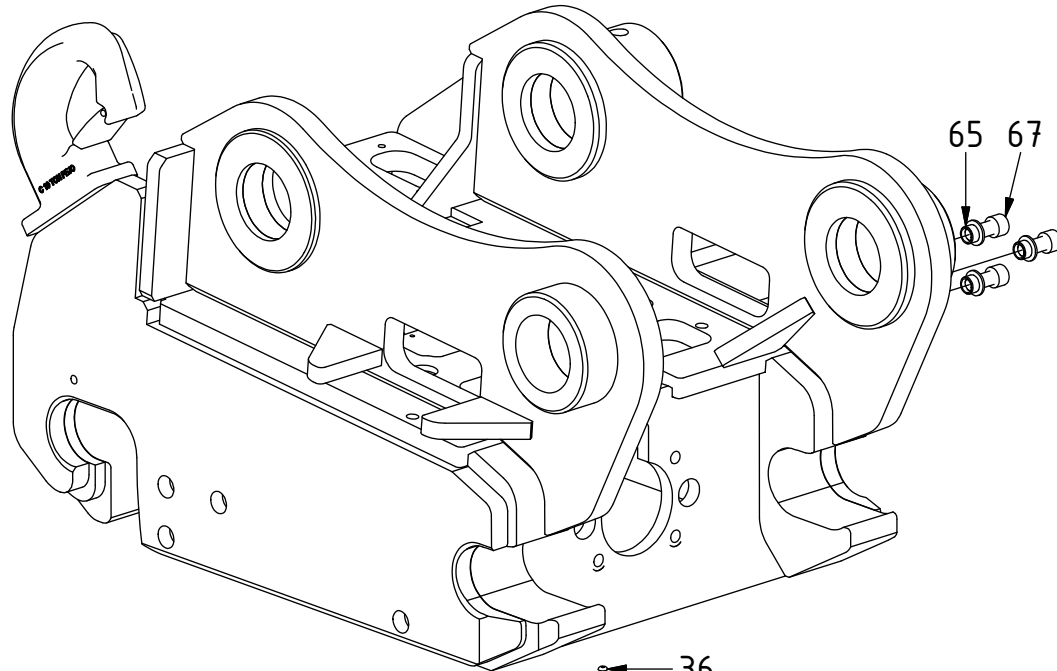


POS	DESCRIPTION	PART	QTY	COMMENTS
28	Block ECO70 W - Quick hitch	1042478	1	
30	Washer GBR12 3/4	710706	2	
31	Adapter 1260-12-57 (3/4")	712227	2	
32	Power plug ECO W - Quick hitch	1042243	1	
33	Pipe plug DIN 906 M16x1,5	711529	1	
34	Plug ECO W - Hitch	1041814	1	
35	Coverplate block ECO W	1041139	1	
36	K6S M5x8 10.9 FZB	611801	2	
38	Coupling ECO W 3/4" V3	1050579	2	Torque: 60Nm. (POS.39 included)
39	Flat sealing for ECO 3/4" V3	1050580	2	
40	Dirt protection Block ECO 3/4"	1028275	2	
62	Cable ePS ECO W ss9,ss10(SVAB)	1042246	1	Attach to POS.32 6P
63	Cable ECO W Tiltanglesensor ss9-2	1047113	1	Attach to POS.32 12P
65	Bushing 20/16	1048746	3	
66	MC6S M16x30 12.9	610518	3	Loctite 2700
88	Cover ECO70 W magnet	1047858	1	Part of make up

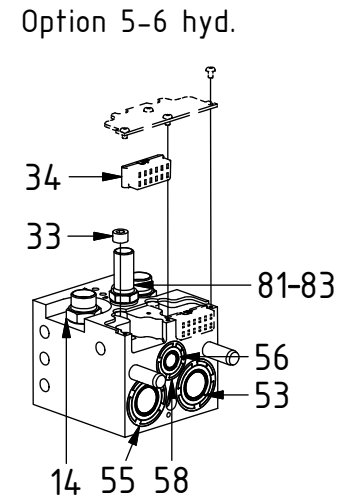
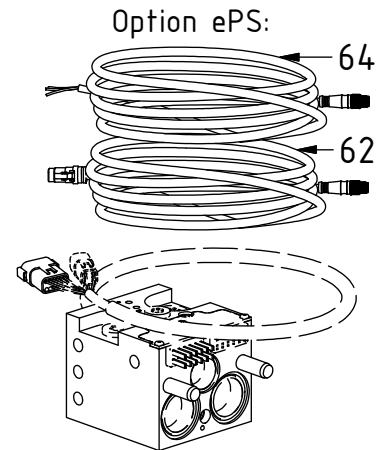
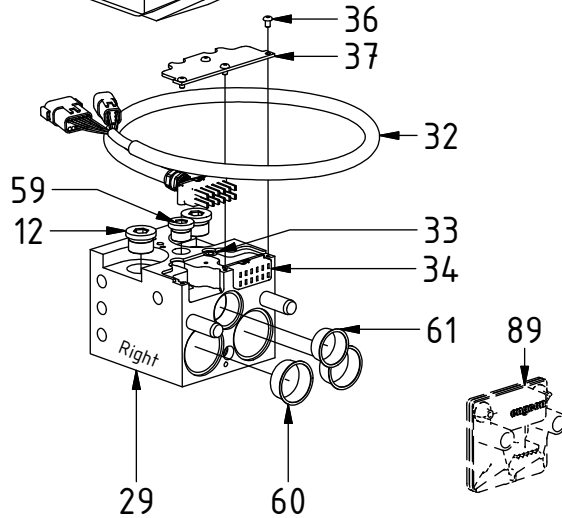


Quick hitch - QS80

EC-Oil
Right block ECO80 W: ss10 (SVAB)



POS	DESCRIPTION	PART	QTY	COMMENTS
12	Plug VSTIR16ED 1"	7000945	14	QTY depends on config. (14-16)
14	Adapter XGE 25-SR-ED (ext)	7000947	2	QTY depends on config. (2-10)
29	Block ECO80 W - Quick hitch	1050478	1	
32	Power plug ECO W - Quick hitch	1042243	1	
33	Pipe plug DIN 906 M16x1,5	711529	1	
34	Plug ECO W - Hitch	1041814	1	
36	K6S M5x8 10.9 FZB	611801	2	
37	Coverplate block ECO80 W	1045175	2	
53	Coupling ECO W 1" V3	1056060	2	Torque: 60Nm. (POS.54 included)
54	Flat sealing for ECO 1" V3	1056072	2	
55	Dirt protection Block ECO 1"	1045166	2	
56	Coupling ECO W 1/2" V3	1054580	1	Torque: 60Nm. (POS.57 included)
57	Flat sealing for ECO 1/2" V3	1050018	1	
58	Dirt protection Block ECO 1/2"	1028229	1	
59	Plug 70125-08 (1/2")	711500	1	
60	Protection plug HECO hydraulic		2	
61	Protection plug HECO60 hydraulic	7000155	1	
62	Cable ePS ECO W ss9,ss10(SVAB)	1042246	1	Attach to POS.32 6P
64	Cable ECO W Tiltanglesensor SVAB	1047111	1	L.BI: WH>11. R.BI: BR>1, BL>2, GR>11
65	Bushing 20/16	1048746	3	
67	MC6S M16x35 12.9	6000128	3	Loctite 2700
81	Hose Drain	7001373	1	
82	Washer GBR08 1/2	710704	1	
83	Adapter 1260-08-45 (1/2")	710263	1	
89	Cover ECO80 W magnet	1050611	1	Part of make up



Quick hitch - QS80

Without EC-Oil

POS	DESCRIPTION	PART	QTY	COMMENTS
4	Cable QS - QLM - Quick hitch	842149	1	Attach to QS sensors
70	Hose Lock	7000943	2	
90	Cable tie 4,8x360	1021586	1	

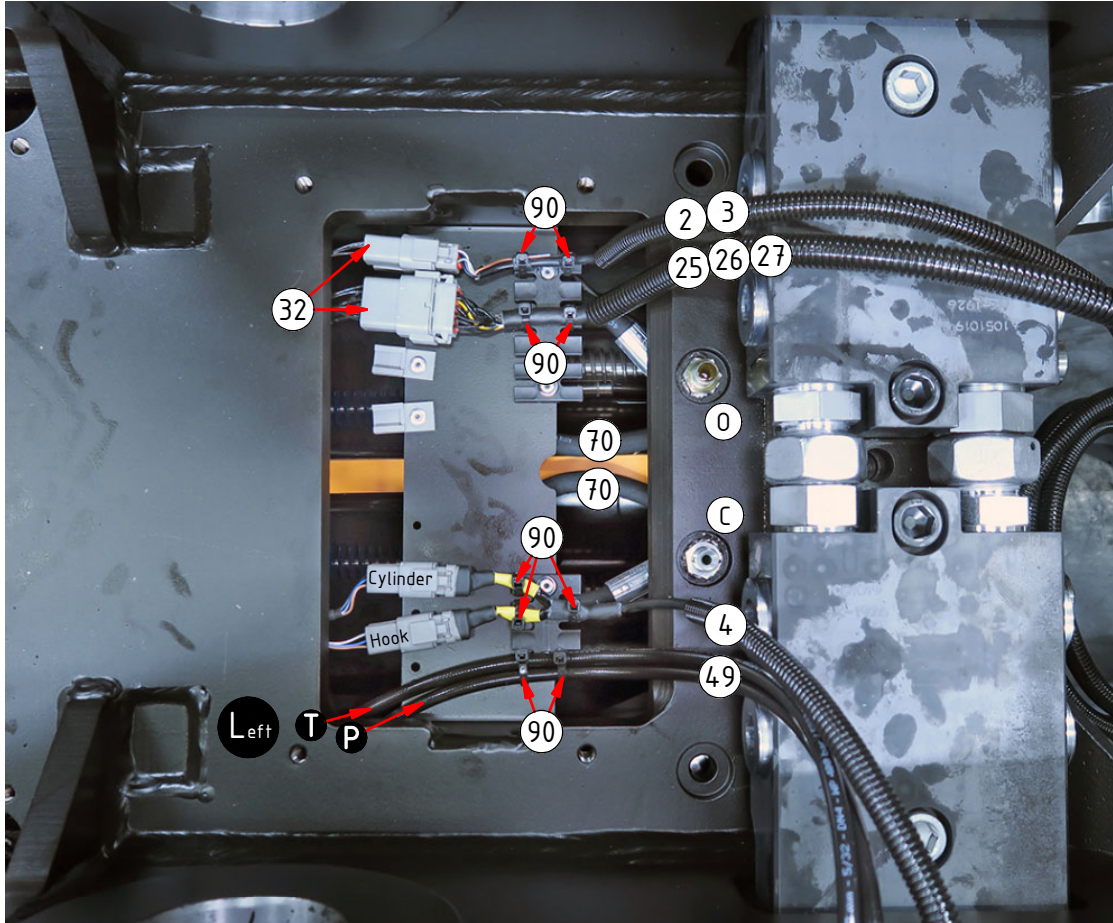
POS in order of assembly

Photo needed: Hitch showing POS.70, and POS.4 against sensor connectors

Photo needed: Seen from beneath

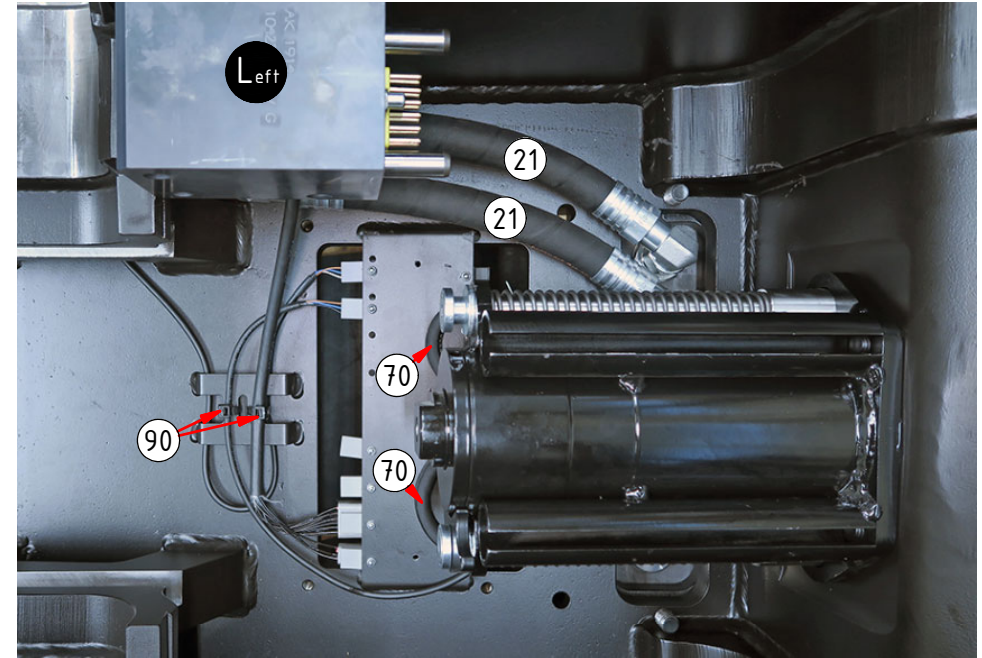
Quick hitch - QS80

EC-Oil Left block

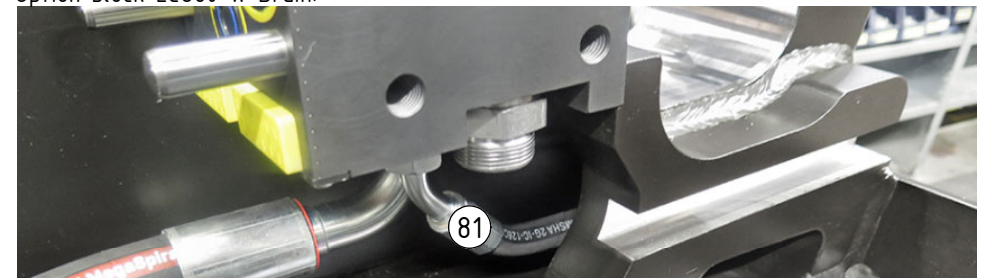


POS	DESCRIPTION	PART	QTY	COMMENTS
2	Cable ECO W Tilt angle sensor DC2	1049315	1	Attach to POS.32 6P (Only DC2)
3	Cable QS - QLM - Tilt rotator	842148	1	Attach to POS.32 6P (Not on DC2)
4	Cable QS - QLM - Quick hitch	842149	1	Attach to QS sensors
21	Hose Bl. 3/4"	7000944	2	
25	Cable ECO W Machine DC2	1048528	1	Attach to POS.32 12P
26	Cable ECO70 Machine ss9-2	1036846	1	Attach to POS.32 12P
27	Cable ECO70 Machine ss10(SVAB)	1029500	1	Attach to POS.32 12P
32	Power plug ECO W - Quick hitch	1042243	1	
49	Hose kit - lubricant ECO W	7000514	1	(POS.50-52 included)
70	Hose Lock	7000943	2	
81	Hose Drain	7001373	1	
90	Cable tie 4,8x360	1021586	1	

POS in order of assembly



Option block EC080 W Drain:

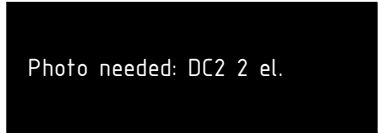


POS	DESCRIPTION	PART	QTY	COMMENTS
22	Hose Bl. 1"	7000882	2	
32	Power plug ECO W - Quick hitch	1042243	1	
81	Hose Drain	7001373	1	
90	Cable tie 4,8x360	1021586	1	

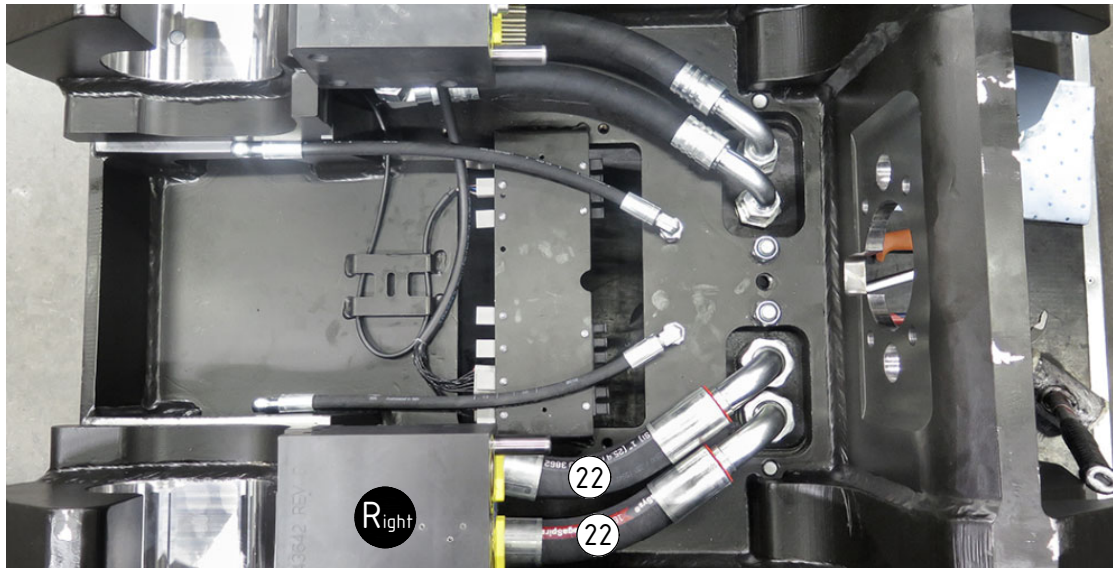
EC-Oil

Right block EC080 W: DC2 Option 2Bl.

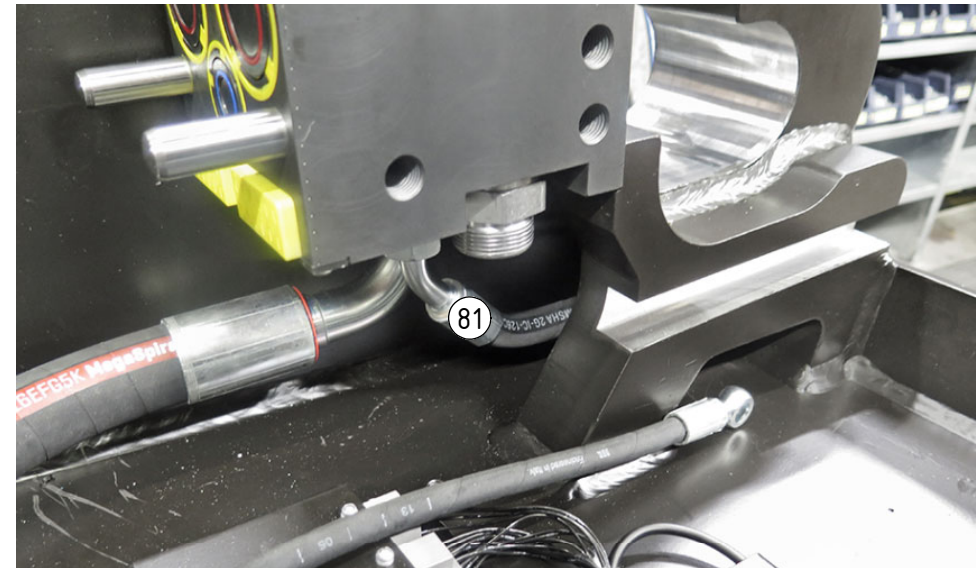
Option 2 el.



Option 5-6 hyd.



Drain:



Quick hitch - QS80

EC-Oil
Right block ECO70 W: ss9

POS	DESCRIPTION	PART	QTY	COMMENTS
22	Hose Bl. 1"	7000882	2	
32	Power plug ECO W - Quick hitch	1042243	1	
62	Cable ePS ECO W ss9,ss10(SVAB)	1042246	1	Attach to POS.32 6P
90	Cable tie 4,8x360	1021586	1	

Option 2 el. ePS:

Photo needed: ss9 config.
seen from beneath
(1 el. 4 hyd.)

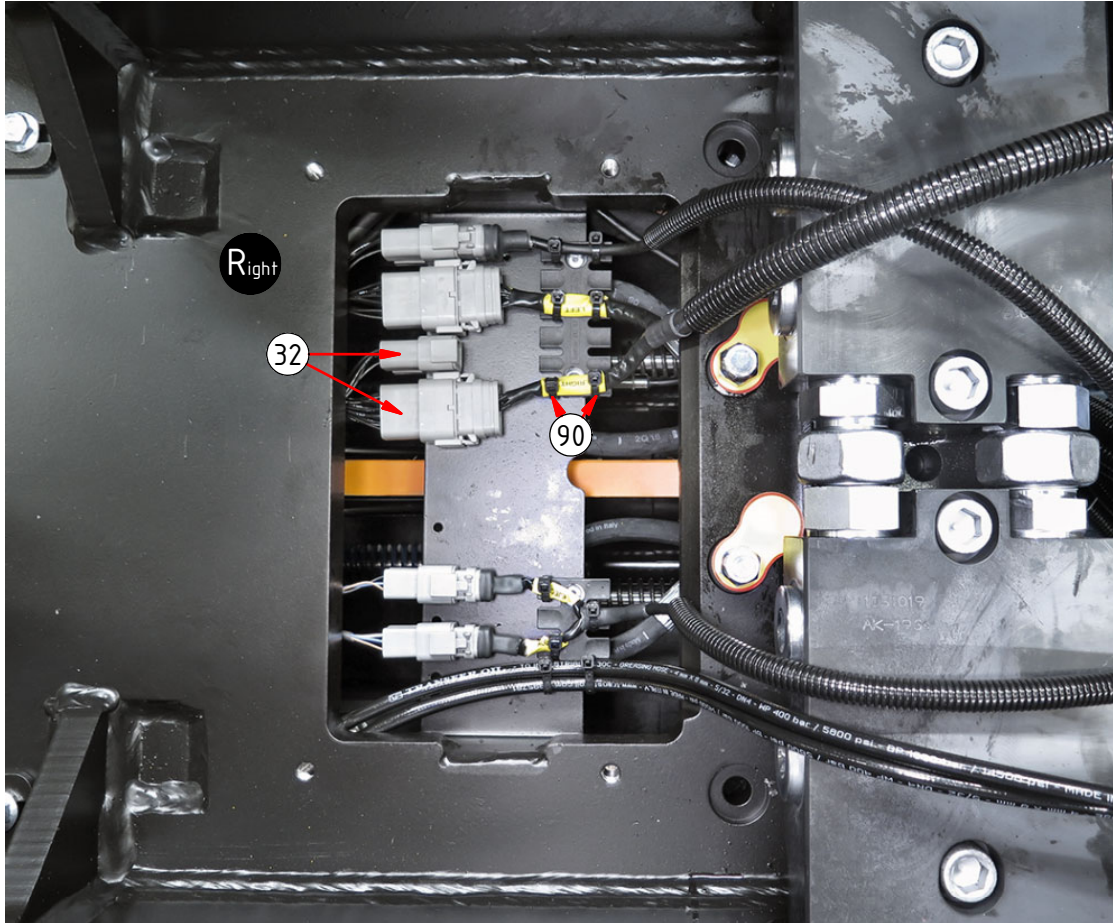
Photo needed: ss9
with POS.32 & 62

POS in order of assembly

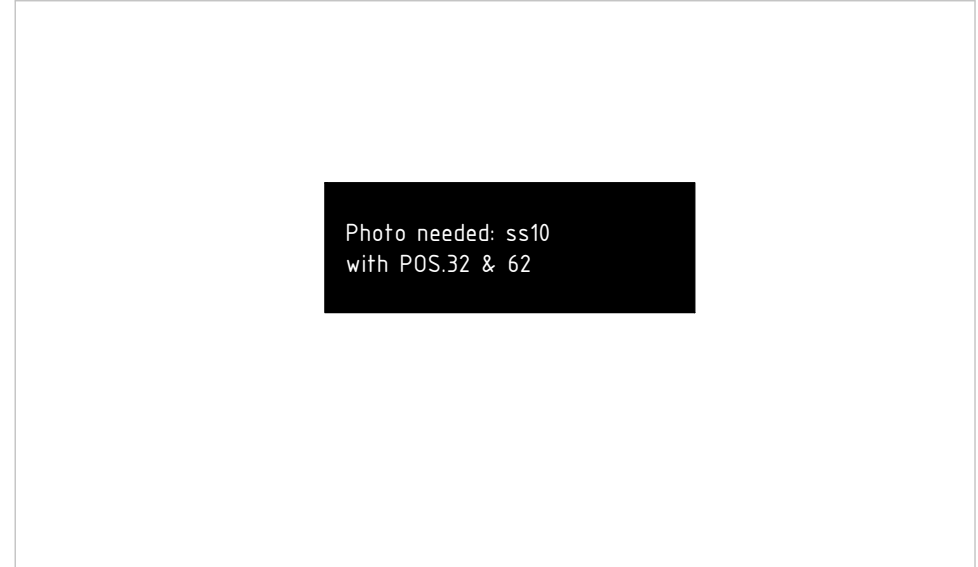
EC-Oil

Right block ECO80 W: ss10 (SVAB)

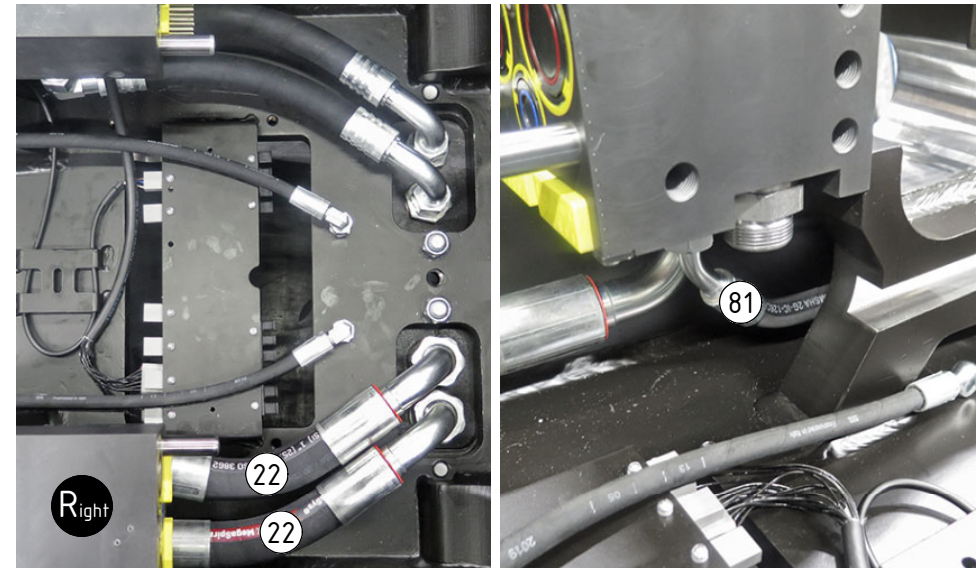
POS	DESCRIPTION	PART	QTY	COMMENTS
22	Hose Bl. 1"	7000882	2	
32	Power plug ECO W - Quick hitch	1042243	1	
62	Cable ePS ECO W ss9,ss10(SVAB)	1042246	1	Attach to POS.32 6P
81	Hose Drain	7001373	1	
90	Cable tie 4,8x360	1021586	1	



Option ePS:

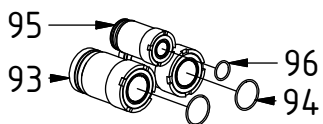
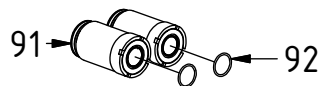


Option 5-6 hyd.



Related spare parts

EC-Oil:



O-rings between versions
are not compatible

POS	DESCRIPTION	PART	QTY	COMMENTS
38	Coupling ECO W 3/4" V3	1050579	2	Torque: 60Nm. (POS.39 included)
39	Flat sealing for ECO 3/4" V3	1050580	2	
53	Coupling ECO W 1" V3	1056060	2	Torque: 60Nm. (POS.54 included)
54	Flat sealing for ECO 1" V3	1056072	2	
56	Coupling ECO W 1/2" V3	1054580	1	Torque: 60Nm. (POS.57 included)
57	Flat sealing for ECO 1/2" V3	1050018	1	
91	Coupling ECO70 3/4" female	1031152	2	Replaced by POS.38 from 2020-03 Torque: 60Nm. (POS.92 included)
92	O-ring 21,95x1,78 ECO70 3/4"	1024735	2	Replaced by POS.39 from 2020-03 Separate seal kit: 7000047
93	Coupling ECO80 1" female	1043011	2	Replaced by POS.53 from 2020-03 Torque: 60Nm. (POS.94 included)
94	O-ring 29.87x1.78 PU/90	1043083	2	Replaced by POS.54 from 2020-03
95	Coupling 1/2" female	1024056	1	Replaced by POS.56 from 2020-03 Torque: 60Nm. (POS.96 included)
96	O-ring 17.17x1.78 PU/90	710913	1	Replaced by POS.57 from 2020-03 Separate seal kit: 7000046

POS in order of assembly