

## COVERSHEET

### Planned document changes:

**Briefly:**

No planned changes.

### Document changes:

**Date:**

**Change:**

**Rev.**

**after change:**

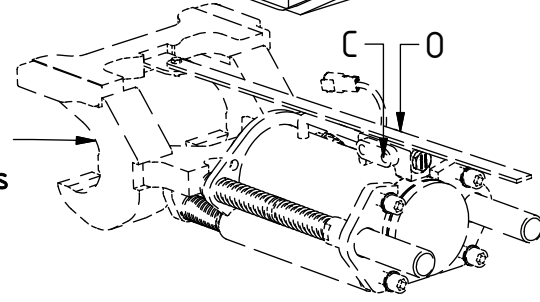
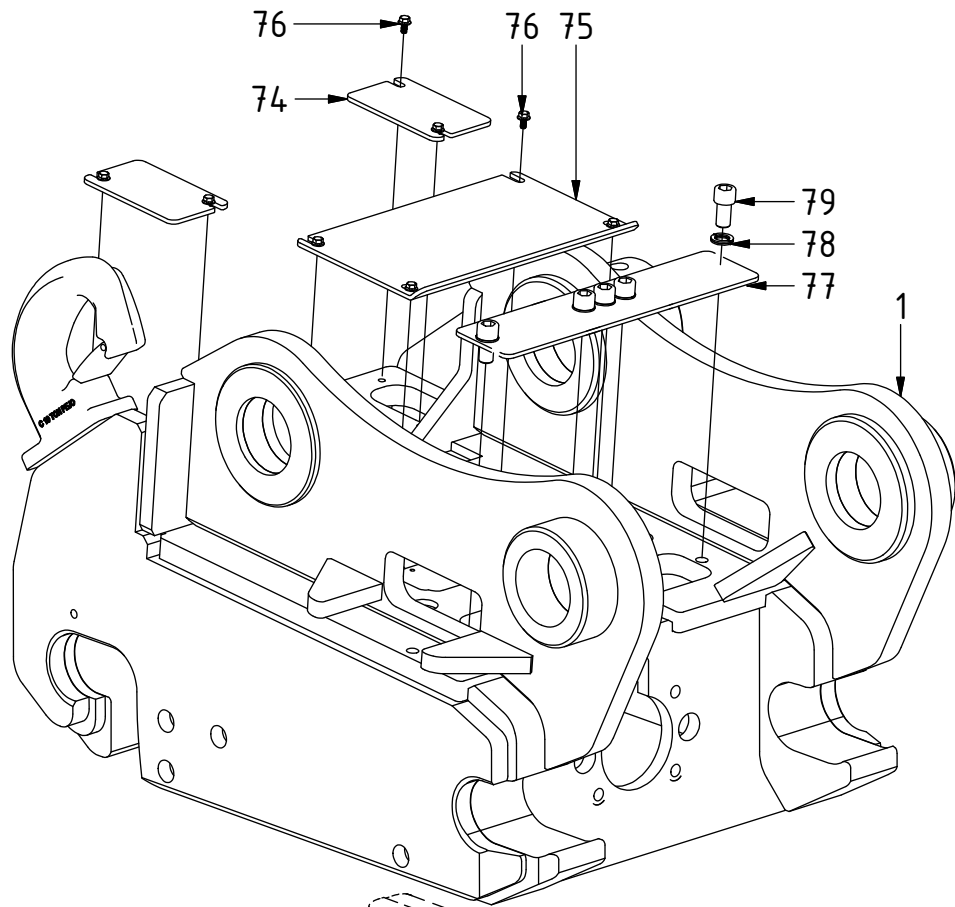
2019-08-30

New instruction.

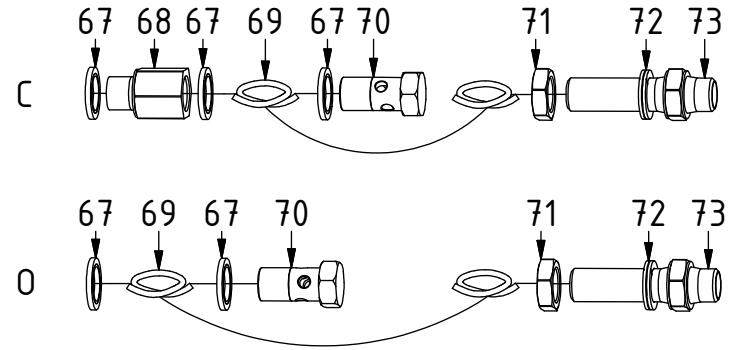
-

# Quick hitch - QS80

POS	DESCRIPTION	PART	QTY	COMMENTS
1	Quick hitch is selected via engcon			(Machine dependent)
67	Washer GBR04 1/4"	710702	5	
68	Adapter 236-04-04 (1/4")	1013885	1	
69	Hose Lock	7000943	2	
70	Banjo bolt 4451-04 (1/4")	710271	2	
71	Counternut 1270-04 (1/4")	710250	2	
72	Washer NL 1/2"	611096	2	
73	Adapter 1260-04-40 (1/4")	710261	2	
74	Small lid	1050955	2	
75	Lid QS80 V2	1050471	1	
76	Screw M6SF 8x12H Riffled	6000120	8	
77	Lid QS80 without ECO		1	Without EC-Oil
78	Washer NL 16mm	611044	5	Without EC-Oil
79	MC6S M16x30 12.9 ZFSLH	6000201	5	Without EC-Oil



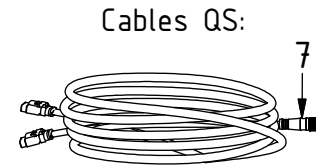
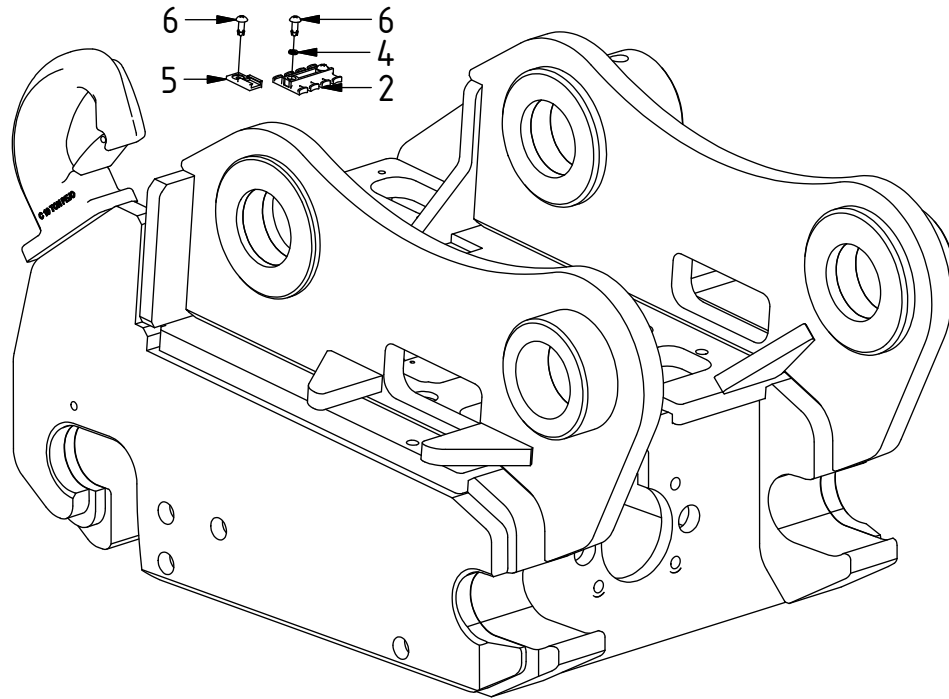
See instruction,  
Standard components



# Quick hitch - QS80

Without EC-Oil

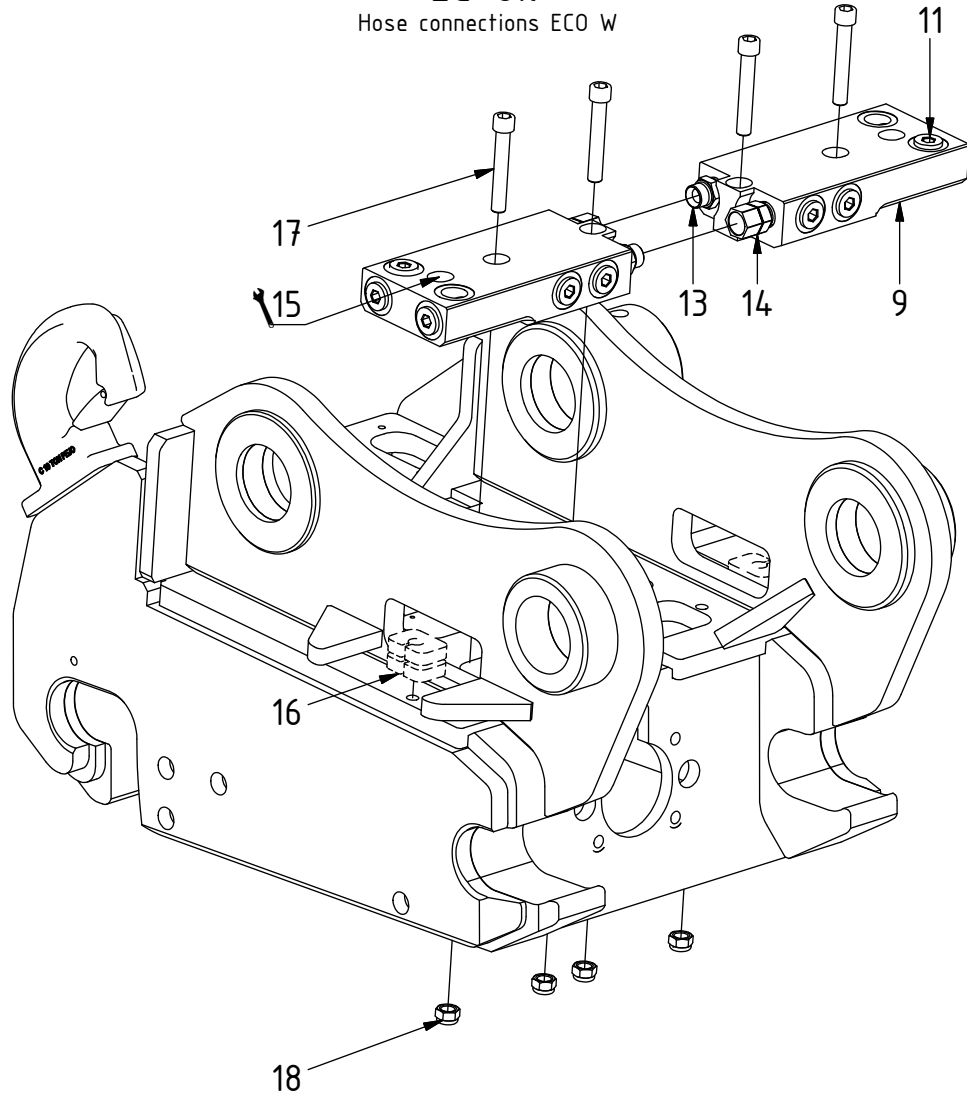
POS	DESCRIPTION	PART	QTY	COMMENTS
2	Strain relief plate ZL60	8000703	1	
4	Washer M5		2	
5	Holder Deutsch coupling	810662	2	
6	Blind rivet 4,8x16 DIN7337	6000115	2	
7	Cable QS - QLM - Quick hitch	842149	1	Attach to QS sensors



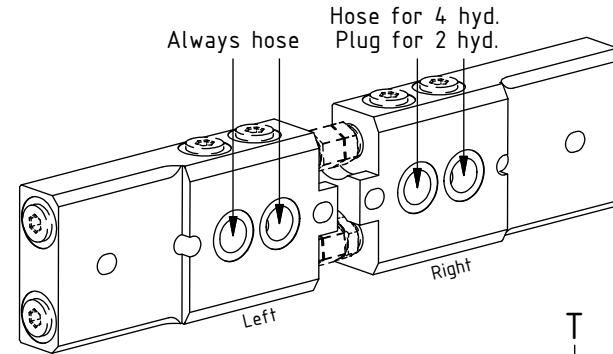
# Quick hitch - QS80

POS in order of assembly

**EC-Oil**  
Hose connections ECO W

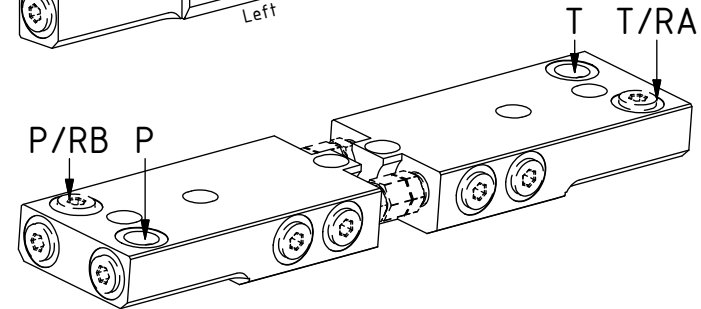


POS	DESCRIPTION	PART	QTY	COMMENTS
9	Connection block QS80	1051019	2	
10	Pipe Plug 3/4" DIN 906	7000261	4	Loctite 5400. QTY: 6 for ss9
11	Plug VSTIR16ED 1"	7000945	16	
12	Washer GBR16 1	710707	4	QTY: 8 for 4 hyd.
13	Adapter XGE 25-SR-ED (ext)	7000947	2	QTY: 6 for 4 hyd.
14	Adapter EGE 25-SR-ED (int)	7000946	2	
15	If middle hole is covered by side plate: use outer hole			Use with POS.16
16	Spacer washer	1051456	4	Used if required
17	MC6S M16x100 12.9	610532	4	
18	Hex. Nut M16 Nylon Lock	610926	4	
19	Adapter 135-12-16 - 3/4"x1"	7000723	2	
20	Hose Left Bl. 3/4"	7000882	2	
21	Hose Right Bl. 1"	7000944	2	
22	Adapter 136-16-16	710127	2	
23	Protectioncap	7000948	2	



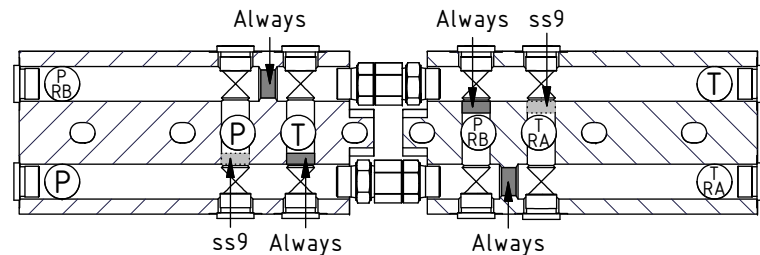
Left block:  
POS.12,19,20

Right block  
4 hyd:  
POS.12,13,21



T & P:  
POS.12,22,23

For ss9:  
P & P/RB  
switches place

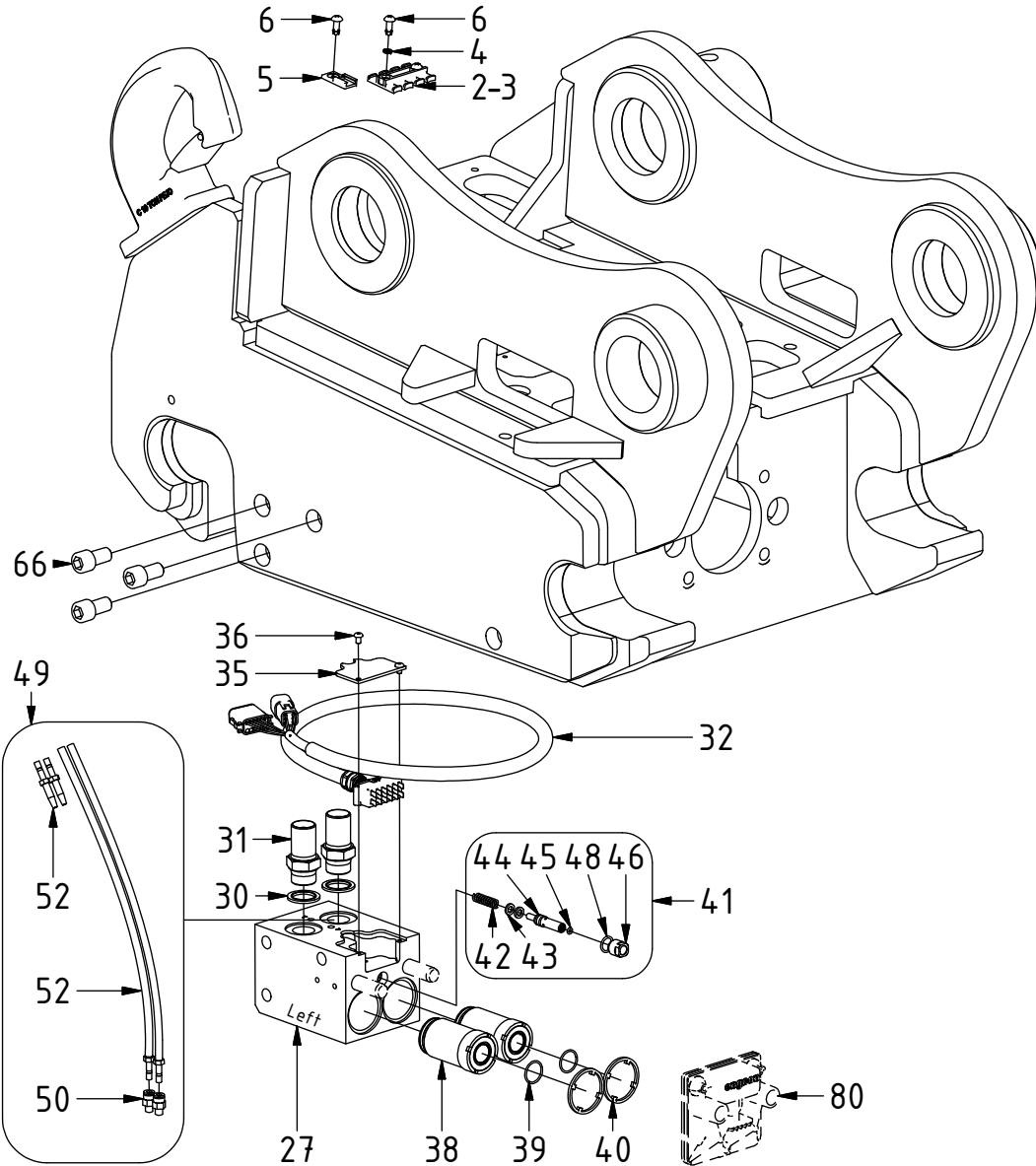


Pipe plug  
POS.10

For ss9:  
2 more  
plugs added

# Quick hitch - QS80

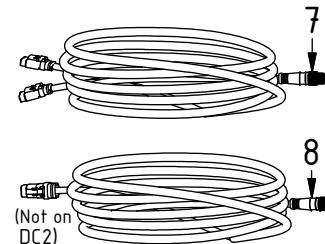
**EC-Oil**  
Left block ECO70 W (Std)



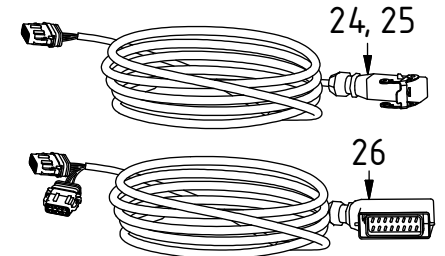
POS	DESCRIPTION	PART	QTY	COMMENTS
2	Strain relief plate ZL60	8000703	1	
3	Strain relief plate ZL87	8000704	1	
4	Washer M5		2	
5	Holder Deutsch coupling	810662	2	
6	Blind rivet 4,8x16 DIN7337	6000115	2	
7	Cable QS - QLM - Quick hitch	842149	1	Attach to QS sensors
8	Cable QS - QLM - Tilt rotator	842148	2	Attach to POS.32 6P (Not on DC2)
24	Cable ECO W Machine DC2	1048528	1	Attach to POS.32 12P
25	Cable ECO70 Machine ss9-2	1036846	1	Attach to POS.32 12P
26	Cable ECO70 Machine ss10(SVAB)	1029500	1	Attach to POS.32 12P
27	Block ECO70 W - Quick hitch	1042478	1	(POS.29 included)
29	Cylindrical pin CPK ø16x100 M6	650221	2	
30	Washer GBR12 3/4	710706	2	
31	Adapter 1260-12-12 (3/4")	712210	2	
32	Power plug ECO W - Quick hitch	1042243	1	
35	Coverplate block ECO W	1041139	1	
36	K6S M5x8 10.9 FZB	611801	2	
38	Coupling ECO70 3/4" female	1031152	2	Torque: 60Nm. (POS.39 included)
39	O-ring 21,95x1,78 ECO70 3/4"	1024735	2	Separate seal kit: 7000047
40	Dirt protection Block ECO 3/4"	1028275	2	
41	Lubrication kit ECO W v2	1050794	1	(POS.42-49 included)
42	Spring 6058	1024113	1	
43	Seal ring 12x7	1024112	2	(O-ring included with seal ring)
44	Grease piston	1024111	1	
45	O-ring 3,69x1,78	1024115	1	
46	Nut- grease piston	1047688	1	Thread sealing tape
47	O-ring 9,25x1,78	712429	1	Located inside POS.46
48	O-ring 14x2	7000767	1	
49	Hose kit - lubricant ECO W	7000514	1	(POS.50-52 included)
50	Adapter straight Push-in - M8x1	790185	2	
51	Hose 2m - lubricant ECO	790176	2	
52	Pipe stub straight Push-in	790175	2	
66	MC6S 12.9		3	Loctite 2700
80	Cover ECO70 W magnet	1047858	1	Part of make up

POS in order of assembly

Cables QS:

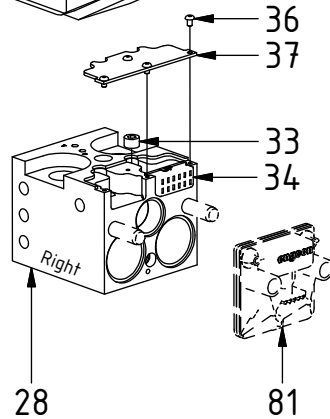
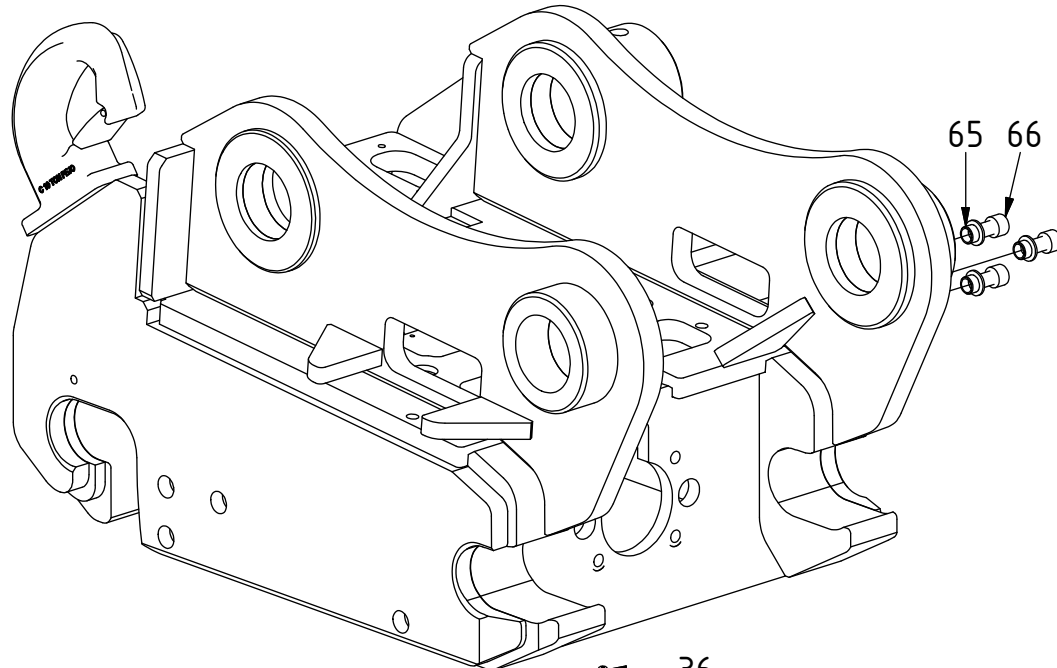


Cables machine:



# Quick hitch - QS80

**EC-Oil**  
Right block ECO80 W: DC2 Option 2Bl.

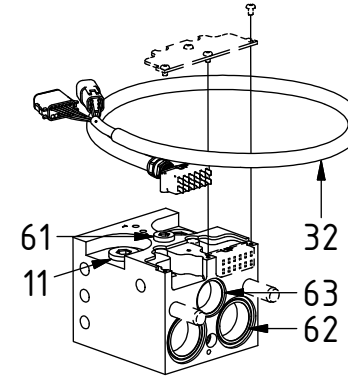


POS	DESCRIPTION	PART	QTY	COMMENTS
11	Plug VSTIR16ED 1"	7000945	16	
12	Washer GBR16 1	710707	4	QTY: 8 for 4 hyd.
13	Adapter XGE 25-SR-ED (ext)	7000947	2	QTY: 6 for 4 hyd.
28	Block ECO80 W - Quick hitch	1050478	1	(POS.29 included)
29	Cylindrical pin CPK $\varnothing$ 16x100 M6	650221	2	
32	Power plug ECO W - Quick hitch	1042243	1	
33	Pipe plug DIN 906 M16x1,5	711529	1	
34	Male housing Powerplug W	1041814	4	
36	K6S M5x8 10.9 FZB	611801	2	
37	Coverplate block ECO80 W	1045175	1	
53	Coupling ECO80 1" female	1043011	2	Torque: 60Nm. (POS.54 included)
54	O-ring 29.87x1.78 PU/90		2	
55	Dirt protection Block ECO 1"	1045166	2	
56	Coupling 1/2" female	1024056	1	Torque: 60Nm. (POS.57 included)
57	O-ring 17.17x1.78 PU/90	710913	1	Separate seal kit: 7000046
58	Dirt protection Block ECO 1/2"	1028229	1	
59	Washer GBR06 3/8	710703	1	
60	Adapter 136-06-06 (3/8")	710106	1	
61	Plug 70125-06 (3/8")	7000945	1	
62	Protection plug HECO hydraulic		2	
63	Protection plug HECO60 hydraulic	7000155	1	
65	Bushing 20/16	1048746	3	
66	MC6S 12.9		3	Loctite 2700
81	Cover ECO80 W magnet	1050611	1	Part of make up

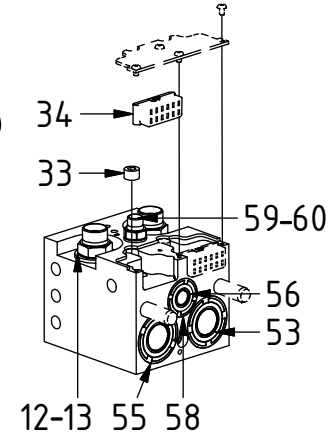
**Option ePS:**

2 Blocks not needed for ePS on DC2, it uses the same cables as regular configuration / 1 Block.

**Option 2 el.**

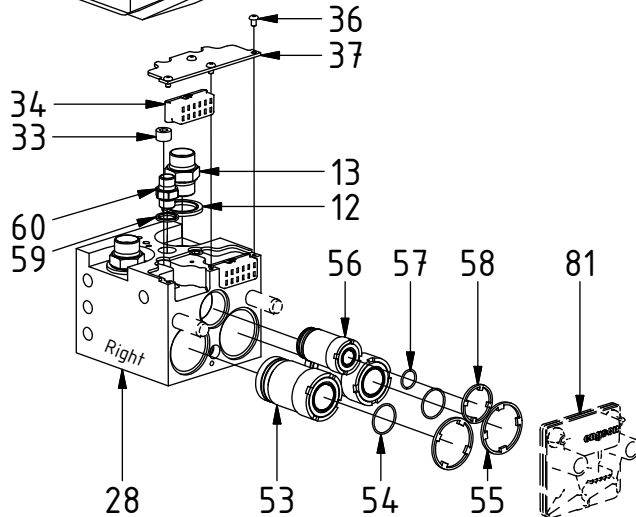
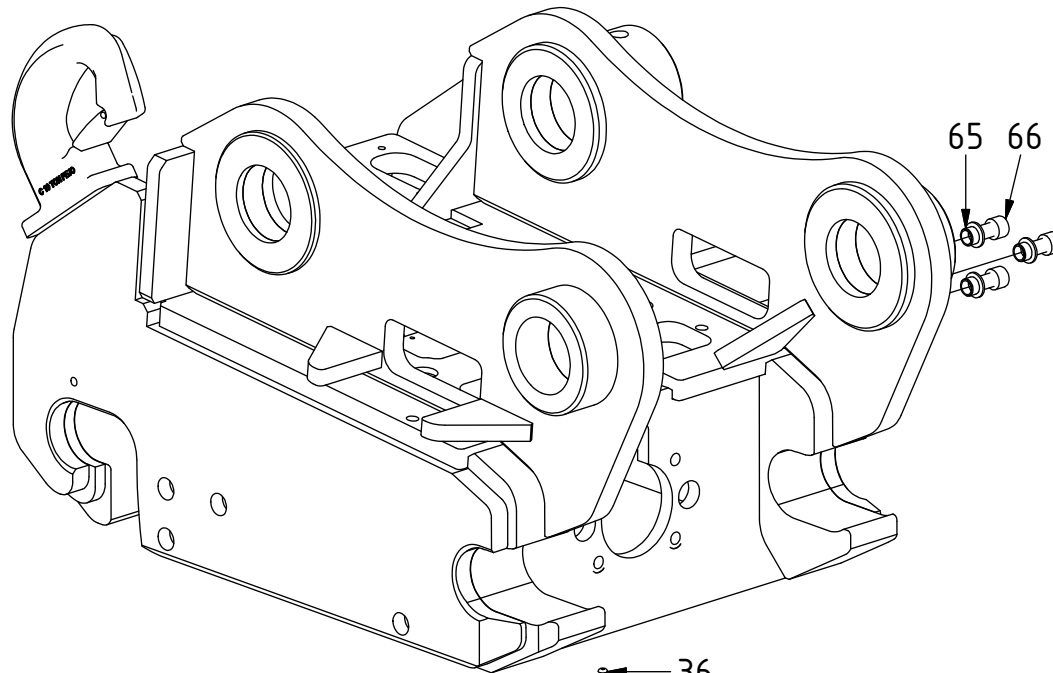


**Option 4 hyd.**

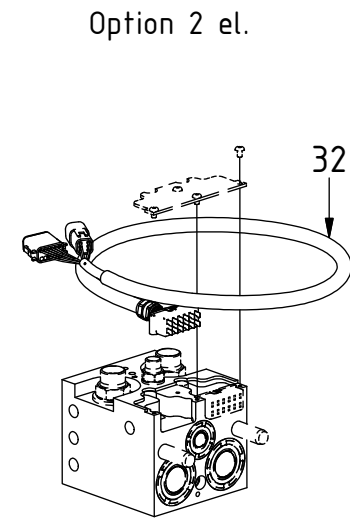
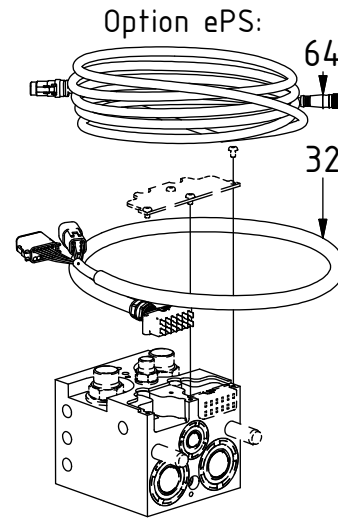


# Quick hitch - QS80

**EC-Oil**  
Right block ECO80 W: ss9

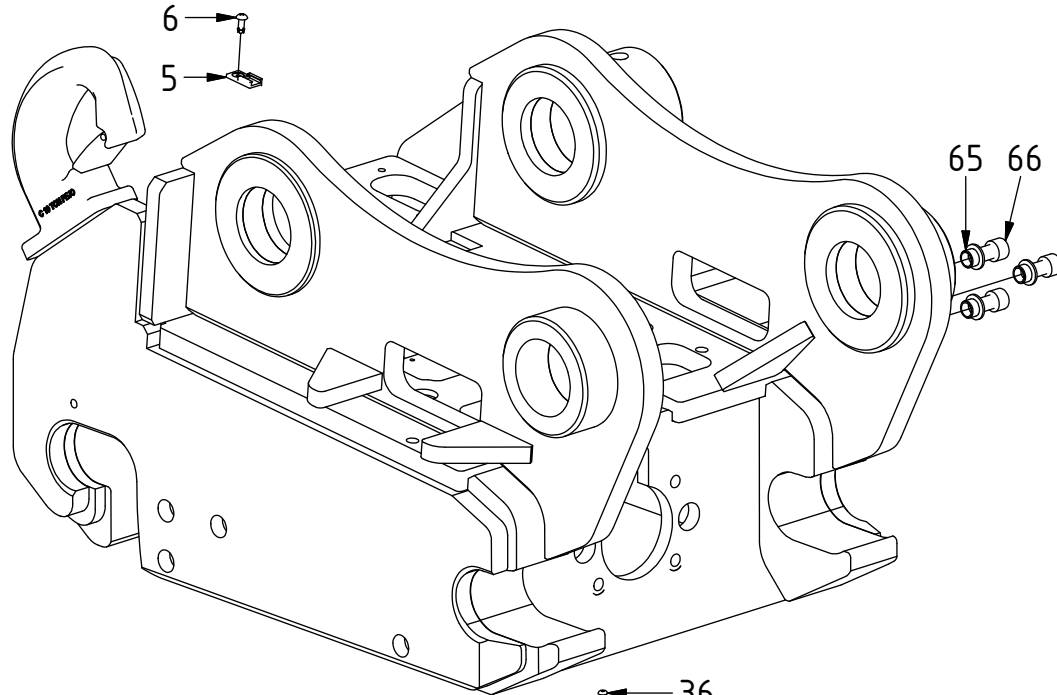


POS	DESCRIPTION	PART	QTY	COMMENTS
12	Washer GBR16 1	710707	4	QTY: 8 for 4 hyd.
13	Adapter XGE 25-SR-ED (ext)	7000947	2	QTY: 6 for 4 hyd.
28	Block ECO80 W - Quick hitch	1050478	1	(POS.29 included)
29	Cylindrical pin CPK $\varnothing$ 16x100 M6	650221	2	
32	Power plug ECO W - Quick hitch	1042243	1	
33	Pipe plug DIN 906 M16x1,5	711529	1	
34	Male housing Powerplug W	1041814	4	
36	K6S M5x8 10.9 FZB	611801	2	
37	Coverplate block ECO80 W	1045175	1	
53	Coupling ECO80 1" female	1043011	2	Torque: 60Nm. (POS.54 included)
54	O-ring 29.87x1.78 PU/90		2	
55	Dirt protection Block ECO 1"	1045166	2	
56	Coupling 1/2" female	1024056	1	Torque: 60Nm. (POS.57 included)
57	O-ring 17.17x1.78 PU/90	710913	1	Separate seal kit: 7000046
58	Dirt protection Block ECO 1/2"	1028229	1	
59	Washer GBR06 3/8	710703	1	
60	Adapter 136-06-06 (3/8")	710106	1	
64	Cable ePS ECO W ss9,ss10(SVAB)	1042246	1	Attach to POS.32 6P
65	Bushing 20/16	1048746	3	
66	MC6S 12.9		3	Loctite 2700
81	Cover ECO80 W magnet	1050611	1	Part of make up

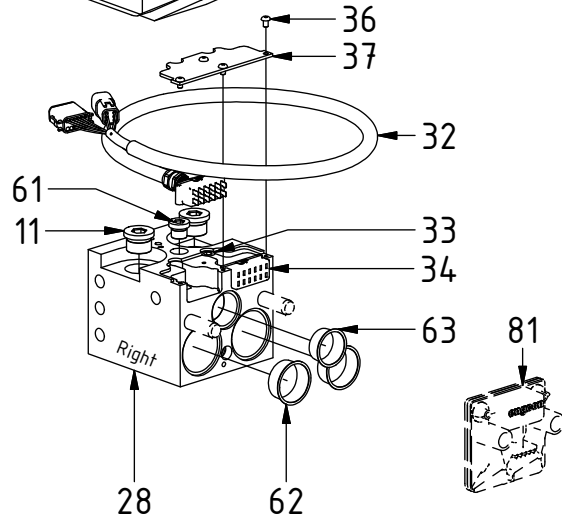


# Quick hitch - QS80

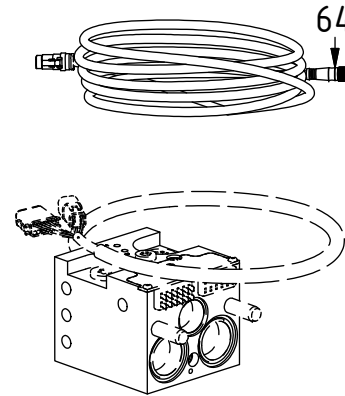
**EC-Oil**  
Right block ECO80 W: ss10 (SVAB)



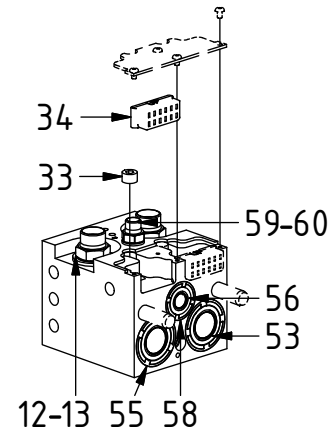
POS	DESCRIPTION	PART	QTY	COMMENTS
5	Holder Deutsch coupling	810662	2	
6	Blind rivet 4,8x16 DIN7337	6000115	2	
11	Plug VSTIR16ED 1"	7000945	16	
12	Washer GBR16 1	710707	4	QTY: 8 for 4 hyd.
13	Adapter XGE 25-SR-ED (ext)	7000947	2	QTY: 6 for 4 hyd.
28	Block ECO80 W - Quick hitch	1050478	1	(POS.29 included)
29	Cylindrical pin CPK ø16x100 M6	650221	2	
32	Power plug ECO W - Quick hitch	1042243	1	
33	Pipe plug DIN 906 M16x1,5	711529	1	
34	Male housing Powerplug W	1041814	4	
36	K6S M5x8 10.9 FZB	611801	2	
37	Coverplate block ECO80 W	1045175	1	
53	Coupling ECO80 1" female	1043011	2	Torque: 60Nm. (POS.54 included)
54	O-ring 29.87x1.78 PU/90		2	
55	Dirt protection Block ECO 1"	1045166	2	
56	Coupling 1/2" female	1024056	1	Torque: 60Nm. (POS.57 included)
57	O-ring 17.17x1.78 PU/90	710913	1	Separate seal kit: 7000046
58	Dirt protection Block ECO 1/2"	1028229	1	
59	Washer GBR06 3/8	710703	1	
60	Adapter 136-06-06 (3/8")	710106	1	
61	Plug 70125-06 (3/8")	7000945	1	
62	Protection plug HECO hydraulic		2	
63	Protection plug HECO60 hydraulic	7000155	1	
64	Cable ePS ECO W ss9,ss10(SVAB)	1042246	1	Attach to POS.32 6P
65	Bushing 20/16	1048746	3	
66	MC6S 12.9		3	Loctite 2700
81	Cover ECO80 W magnet	1050611	1	Part of make up



Option ePS:



Option 4 hyd.





# Quick hitch - QS80

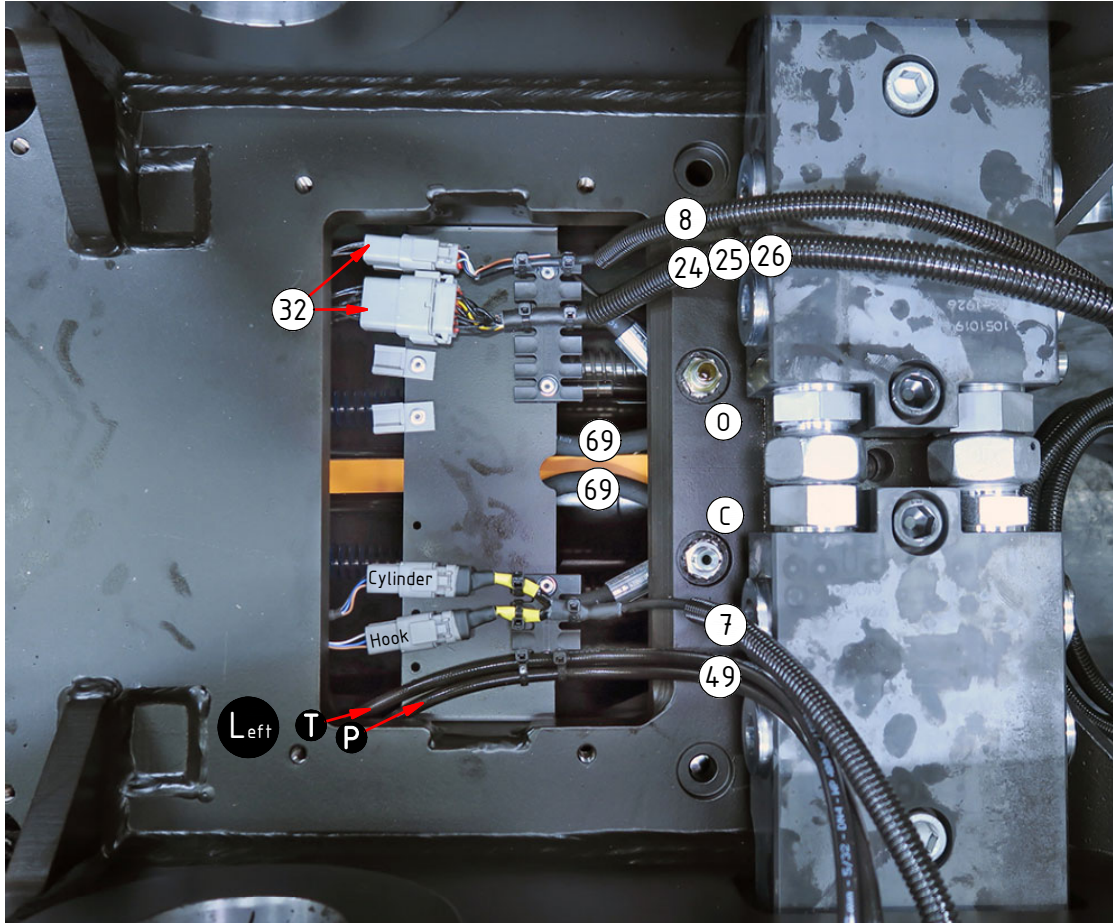
Without EC-Oil

POS	DESCRIPTION	PART	QTY	COMMENTS
7	Cable QS - QLM - Quick hitch	842149	1	Attach to QS sensors
69	Hose Lock	7000943	2	
82	Cable tie 4,8x360	1021586	1	

POS in order of assembly

Photo needed: Hitch showing POS.69 and POS.7 against sensor connectors

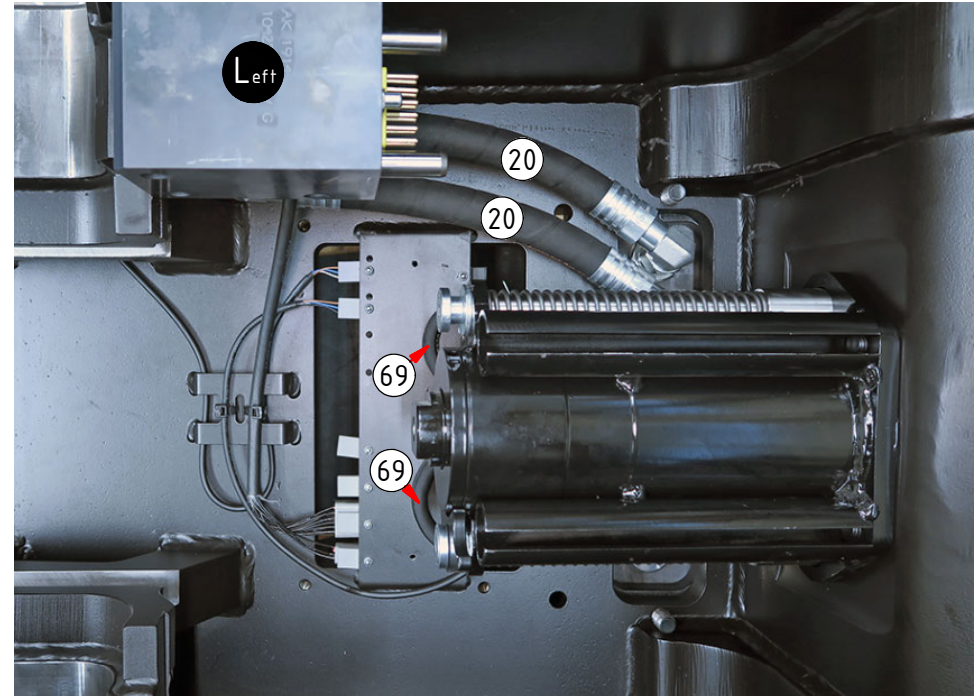
## EC-Oil Left block ECO70 W (Std)



DC2: 6P from ECO is not connected.

POS	DESCRIPTION	PART	QTY	COMMENTS
7	Cable QS - QLM - Quick hitch	842149	1	Attach to QS sensors
8	Cable QS - QLM - Tilt rotator	842148	2	Attach to POS.32 6P (Not on DC2)
20	Hose Left Bl. 3/4"	7000882	2	
24	Cable ECO W Machine DC2	1048528	1	Attach to POS.32 12P
25	Cable ECO70 Machine ss9-2	1036846	1	Attach to POS.32 12P
26	Cable ECO70 Machine ss10(SVAB)	1029500	1	Attach to POS.32 12P
32	Power plug ECO W - Quick hitch	1042243	1	
49	Hose kit - lubricant ECO W	7000514	1	(POS.50-52 included)
69	Hose Lock	7000943	2	
82	Cable tie 4,8x360	1021586	1	

POS in order of assembly



POS	DESCRIPTION	PART	QTY	COMMENTS
21	Hose Right Bl. 1"	7000944	2	
32	Power plug ECO W - Quick hitch	1042243	1	
82	Cable tie 4,8x360	1021586	1	

## EC-Oil

Right block EC080 W: DC2 Option 2Bl.

### Option 2 el.

Photo needed: DC2 2 el.  
(no hyd. on right block)

6P & 12P from right ECO is not connected.

### Option 4 hyd.

Photo needed: DC2 4 hyd.  
(no el. on right block)

**EC-Oil**  
Right block ECO80 W: ss9

Standard:

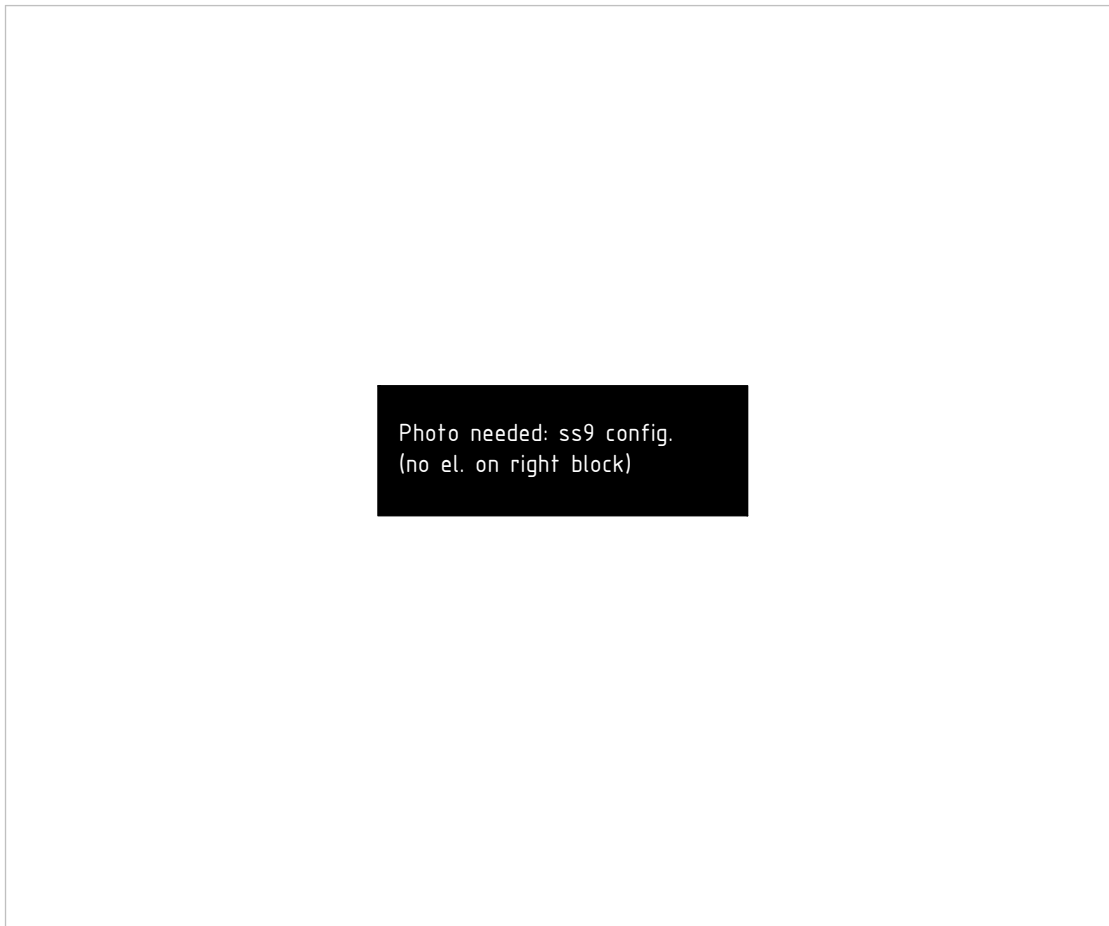


Photo needed: ss9 config.  
(no el. on right block)

POS	DESCRIPTION	PART	QTY	COMMENTS
21	Hose Right Bl. 1"	7000944	2	
32	Power plug ECO W - Quick hitch	1042243	1	
64	Cable ePS ECO W ss9,ss10(SVAB)	1042246	1	Attach to POS.32 6P
82	Cable tie 4,8x360	1021586	1	

Option ePS:

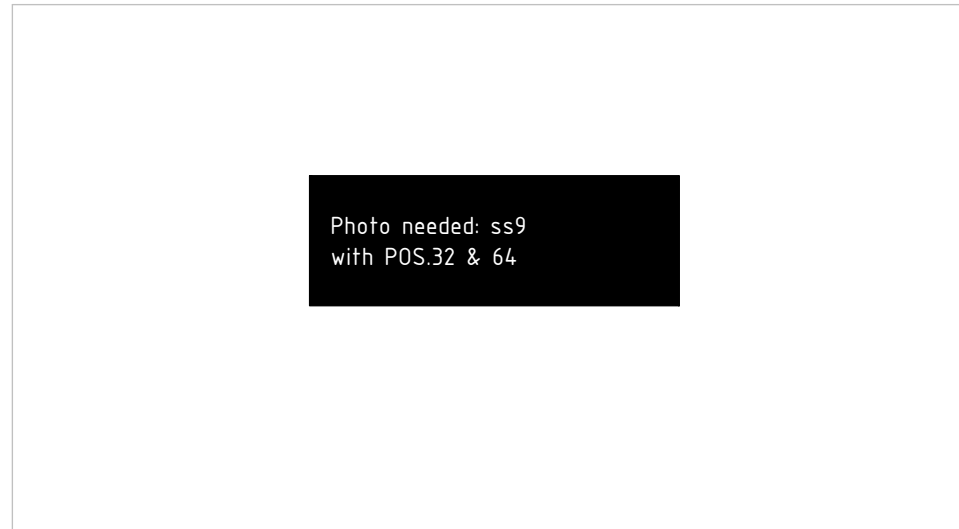


Photo needed: ss9  
with POS.32 & 64

12P from right ECO is not connected.

Option 2 el.

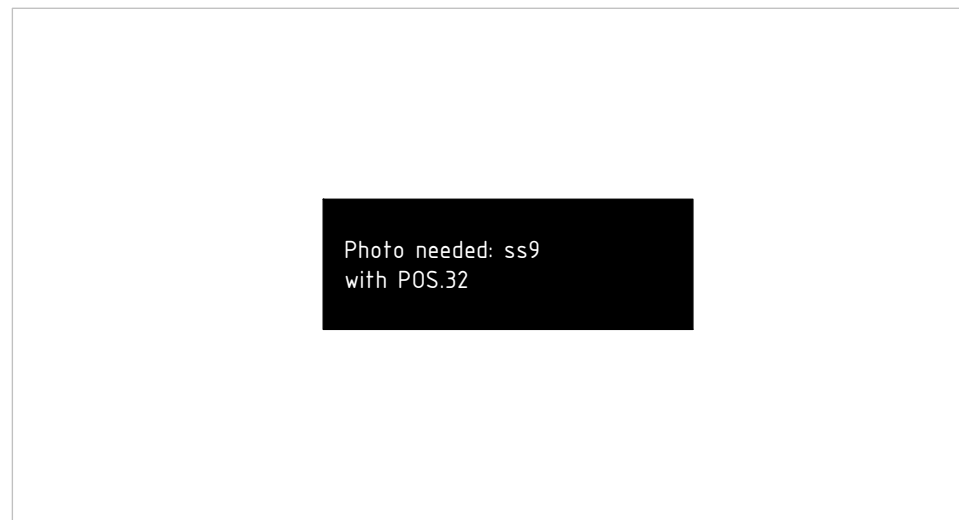


Photo needed: ss9  
with POS.32

6P & 12P from right ECO is not connected.

# Quick hitch - QS80

**EC-Oil**  
 Right block ECO80 W: ss10 (SVAB)  
 Standard / Option 4 hyd.

POS	DESCRIPTION	PART	QTY	COMMENTS
21	Hose Right Bl. 1"	7000944	2	
32	Power plug ECO W - Quick hitch	1042243	1	
64	Cable ePS ECO W ss9,ss10(SVAB)	1042246	1	Attach to POS.32 6P
82	Cable tie 4,8x360	1021586	1	

Option ePS:

Photo needed: ss10 config.  
 (no hyd. on right block)



6P from right ECO is not connected.

12P from right ECO is not connected.

POS in order of assembly