

COVERSHEET

Planned document changes:

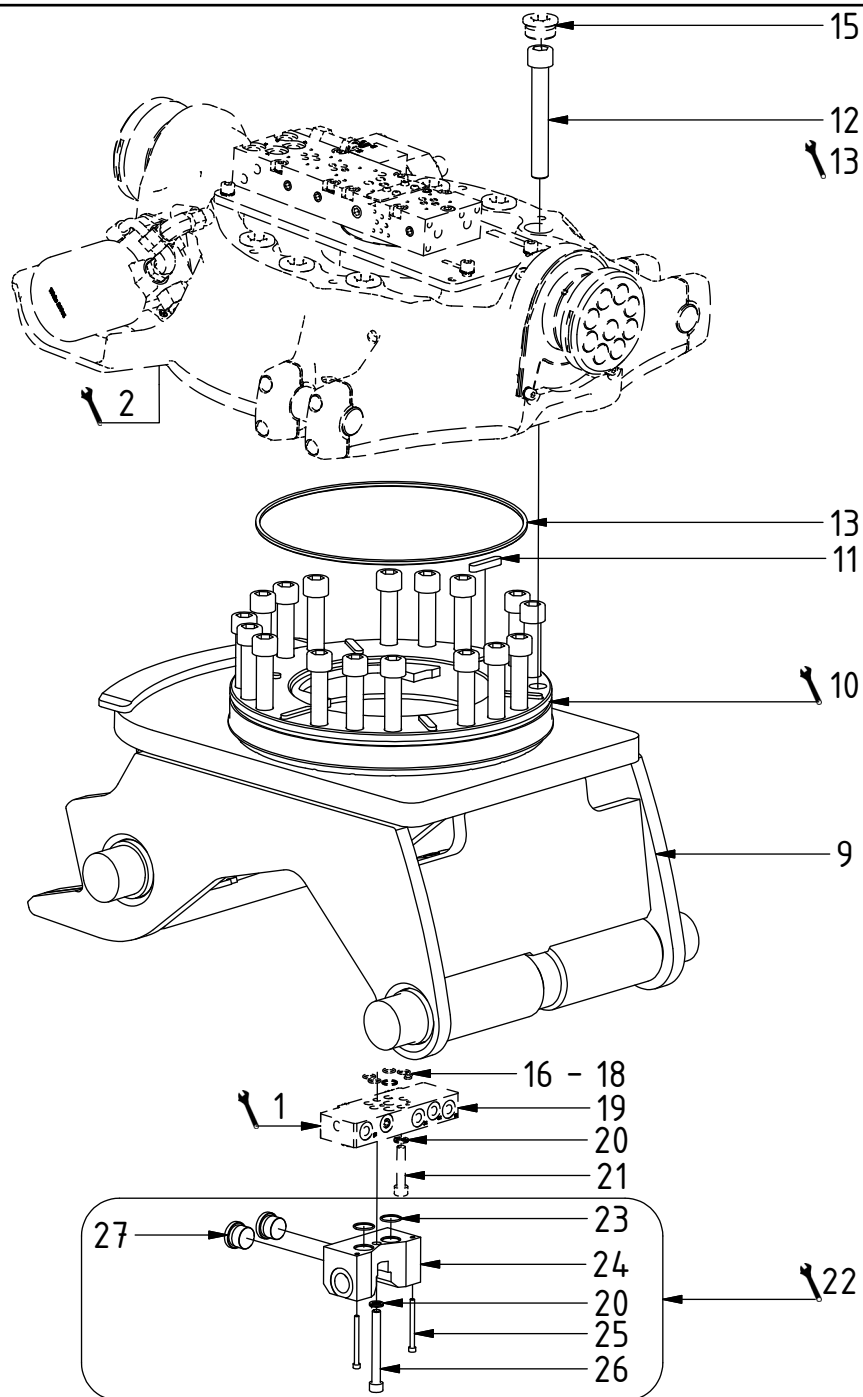
Briefly:

Plug POS.4 when used on the side of connection block:
Replaced by plug 7001657 used with 3/8" Tredo.
(Not replaced when used under connection block, plugging "Extra")

Document changes:

Date:	Change:	Rev. after change:
2019-06-14	New instruction.	-

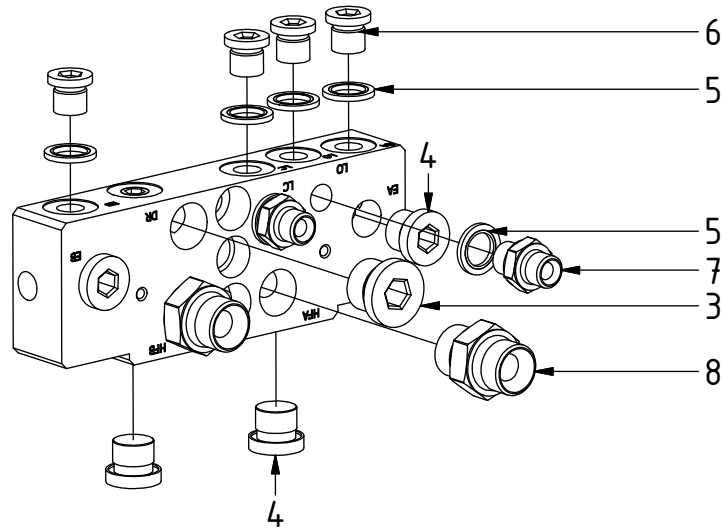
EC226 - CW30(S)EC ECHF



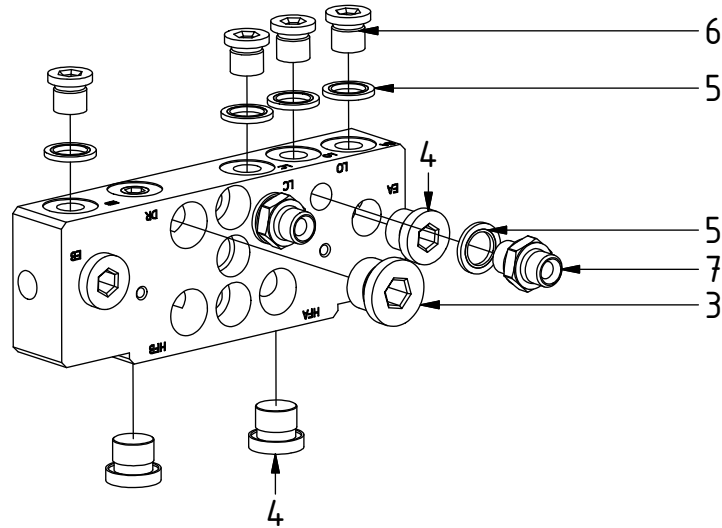
POS	DESCRIPTION	PART	QTY	COMMENTS
1	See p.3 connection block config.			
2	Assemble break support			See separate instruction
9	Quick hitch CW30(S)EC EC226 ECHF	1041888	1	
10	Grease the ring			
11	Feather Key	650102	6	
12	MC6S M20x140		18	Torque: 64.9Nm
13	O-ring 319,3x5,7	710908	1	
14	Torque tighten quick hitch to rotator frame, six holes. Rotate to access the remaining holes			
15	RP M36x2 Din 908 Sv,krom	650408	6	Part of rotator frame assembly
16	O-ring 6,07x1,78	712422	2	Part of rotator frame assembly
17	O-ring 15,6x1,78	710912	1	Part of rotator frame assembly
18	O-ring 12,42x1,78	710973	4	Part of rotator frame assembly
19	Connection block ECHF	1028391	1	Part of rotator frame assembly
20	Washer NL 10mm	611041	2	Part of rotator frame assembly
21	MC6S M10x50	610457	2	Part of rotator frame assembly QTY: 1 for Narrow (S)EC
22	Applies only to Narrow (S)EC			
23	O-ring 20,35x1,78 70 shore	710974	2	
24	Extra block 3/4" ECHF	1031934	1	
25	MC6S M5x60	610409	2	
26	MC6S M10x90	610465	1	
27	Plug 70125-12 (3/4")	711532	2	

POS	DESCRIPTION	PART	QTY	COMMENTS
3	Plug 70125-08 (1/2")	711500	1	
4	Plug 70125-06 (3/8")	711504	4	
5	Washer GBR04 1/4	710702	8	
6	Plug 153-04 (1/4")	711505	4	
7	Adapter 138-04-29 (compact 136-04-04) (1/4")	710135	4	
8	Adapter 136-08-08 (1/2")	710108	2	

Std EC

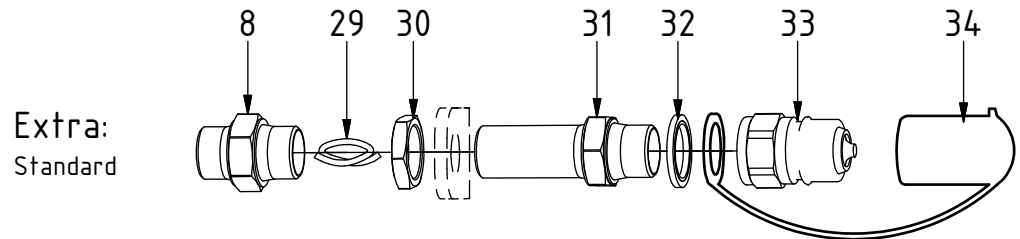
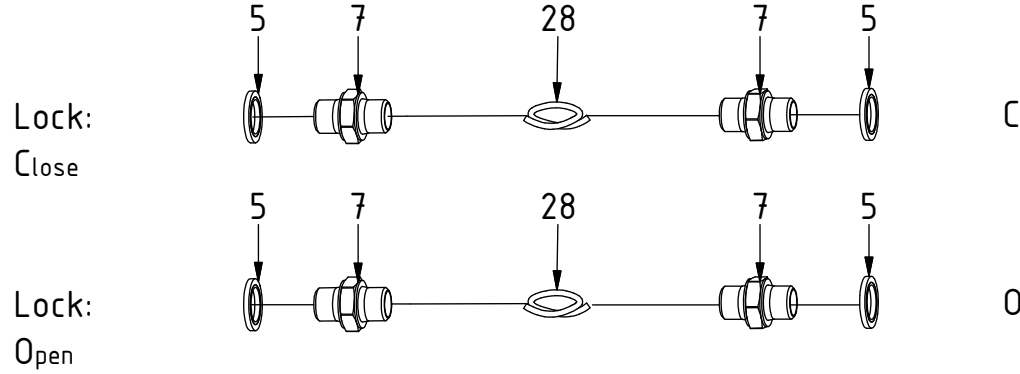


Narrow (S)EC

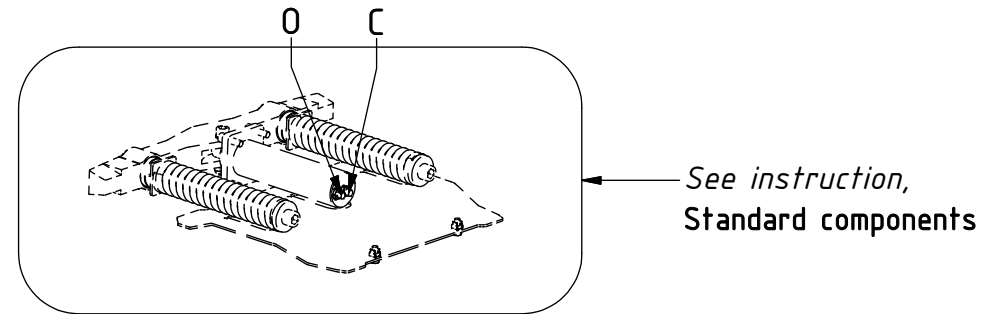
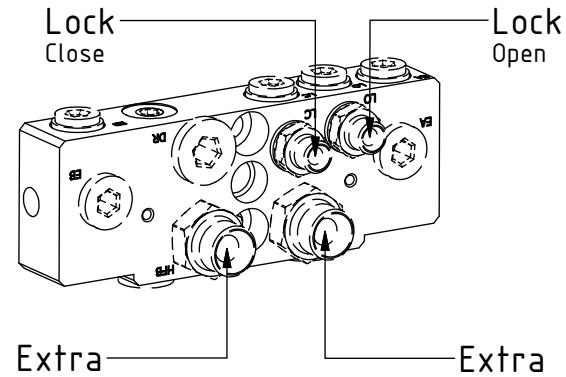


EC226 - CW30(S)EC ECHF

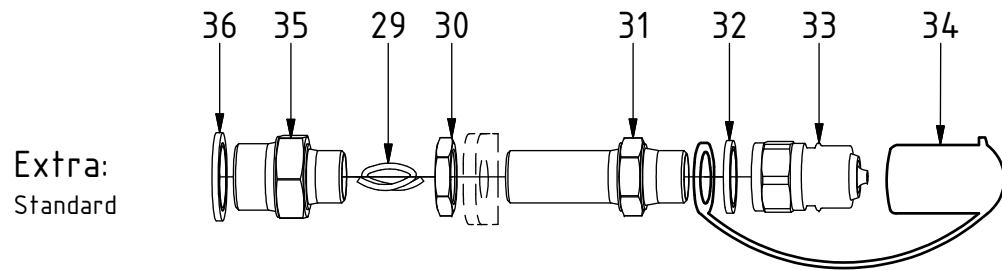
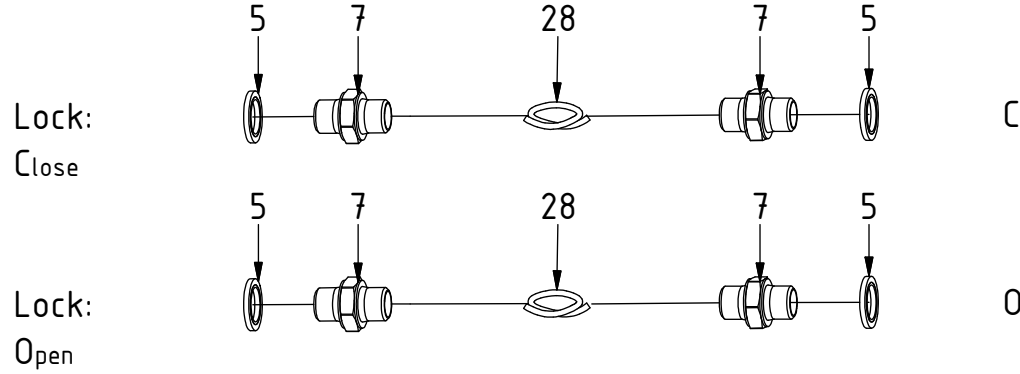
Std EC



POS	DESCRIPTION	PART	QTY	COMMENTS
5	Washer GBR04 1/4	710702	8	
7	Adapter 138-04-29 (compact 136-04-04) (1/4")	710135	4	
8	Adapter 136-08-08 (1/2")	710108	2	
28	Hose lock	740103	2	
29	Hose extra	7000067	2	
30	Counternut 1270-08 (1/2")		4	
31	Adapter 1260-08-45 (1/2")	710263	4	
32	Washer GBR08 1/2	710704	4	
33	Quick coupling 1/2"	790115	4	
34	Dust protection 1-2"	790121	2	



Narrow (S)EC



POS	DESCRIPTION	PART	QTY	COMMENTS
5	Washer GBR04 1/4	710702	8	
7	Adapter 138-04-29 (compact 136-04-04) (1/4")	710135	4	
28	Hose lock	740103	2	
29	Hose extra	7000067	2	
30	Counternut 1270-08 (1/2")		4	
31	Adapter 1260-08-45 (1/2")	710263	4	
32	Washer GBR08 1/2	710704	4	
33	Quick coupling 1/2"	790115	4	
34	Dust protection 1-2"	790121	2	
35	Adapter 135-08-12 (1/2"-3/4")	710109	2	
36	Washer GBR12 3/4	710706	2	

