

COVERSHEET

Planned document changes:

Briefly:

No planned changes.

Document changes:

Date:

Change:

Rev.

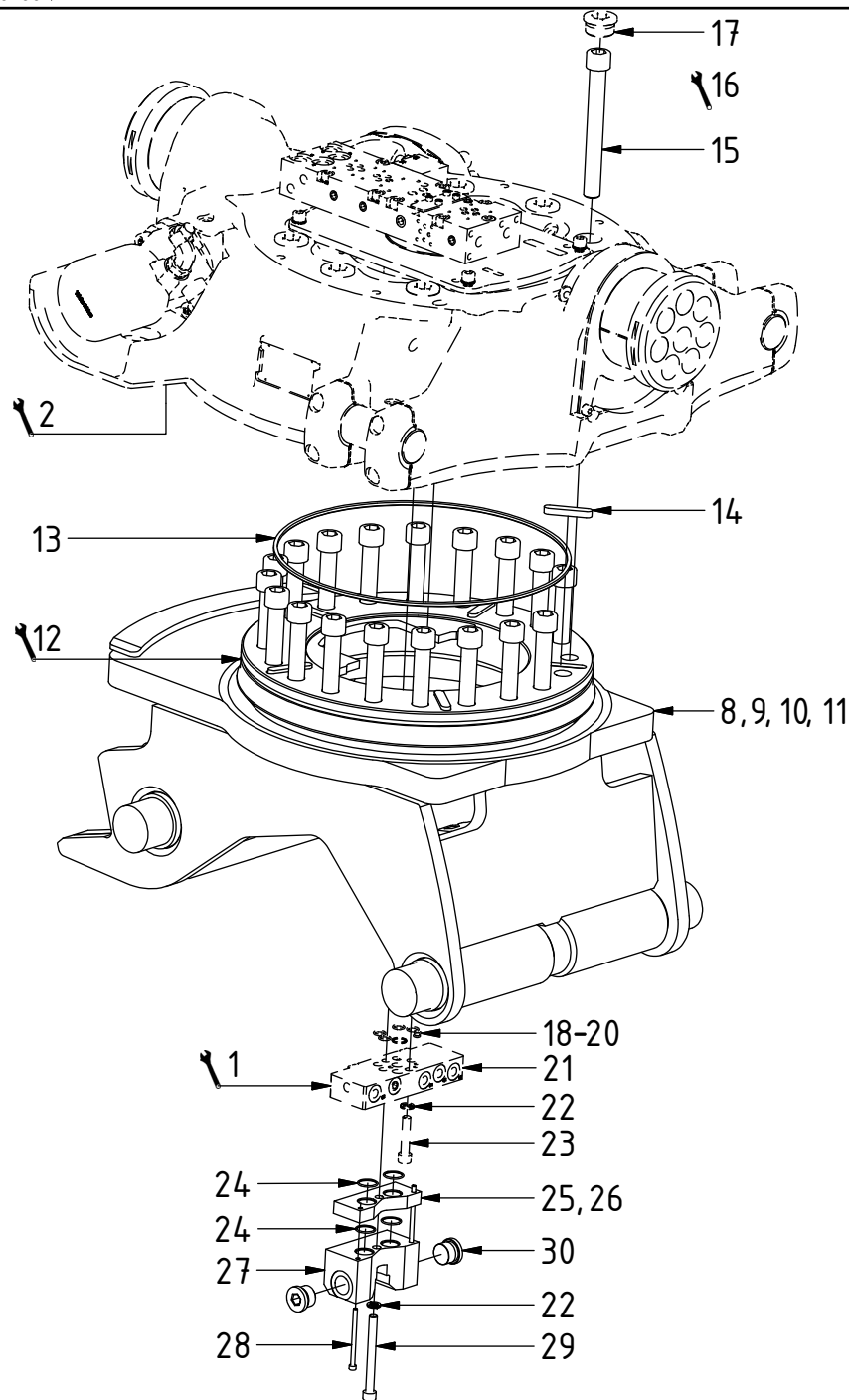
after change:

2019-06-13

New instruction.

-

EC233 - CW40(S)EC

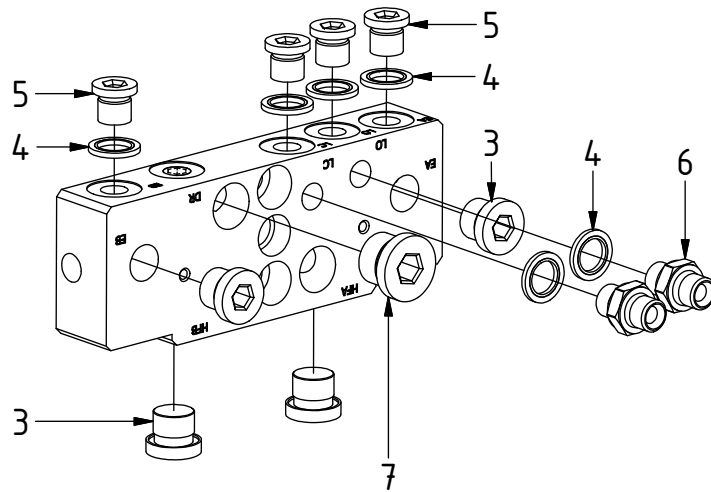


POS	DESCRIPTION	PART	QTY	COMMENTS
1	See p.3 connection block config.			
2	Assemble break support			See separate instruction
8	Quick Hitch CW40SEC 10° (Narrow)	1050247	1	
9	Quick Hitch CW40EC 10°	1043848	1	
10	Quick Hitch CW40EC 13°	1052297	1	
11	Quick Hitch CW40EC 0°	1048895	1	
12	Grease the ring			
13	O-ring	710924	1	
14	Feather Key	650103	5	
15	MC6S M20x170 12.9	6000101	20	Torque: 64.9Nm
16	Torque tighten quick hitch to rotator frame, six holes. Rotate to access the remaining holes			
17	Pipe plug M36x2 Din 908 Sv,krom	650408	6	Part of rotator frame assembly
18	O-ring 6,07x1,78	712422	2	Part of rotator frame assembly
19	O-ring 15,6x1,78	710912	1	Part of rotator frame assembly
20	O-ring 12,42x1,78	710973	4	Part of rotator frame assembly
21	Connection block ECHF	1028391	1	Part of rotator frame assembly
22	Washer NL 10mm	611041	2	Part of rotator frame assembly
23	MC6S M10x50 12.9	610457	1	Part of rotator frame assembly
24	O-ring 20,35x1,78 70 shore	710974	4	
25	Shim block 16mm ECHF	1032834	1	For EC 10°
26	Shim block 5mm ECHF	1035711	1	For SEC 10°, EC 13°, EC 0°
27	Extra block 3/4" ECHF	1031934	1	
28	MC6S M5x75 12.9	610499	2	
29	MC6S M10x100 12.9	610466	1	
30	Plug 70125-12 (3/4")	711532	2	

EC233 - CW40(S)EC

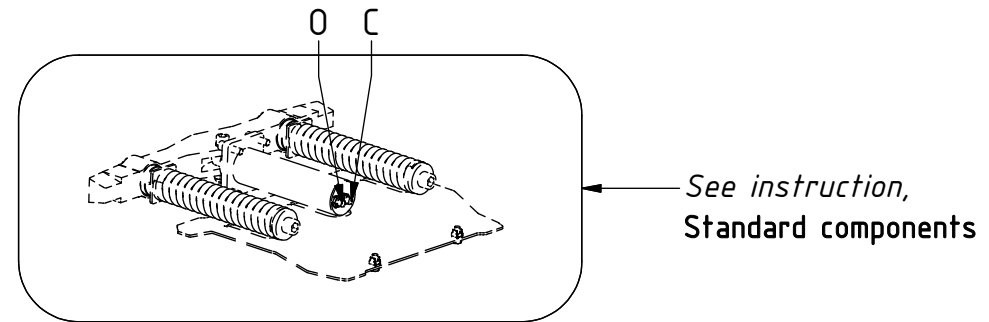
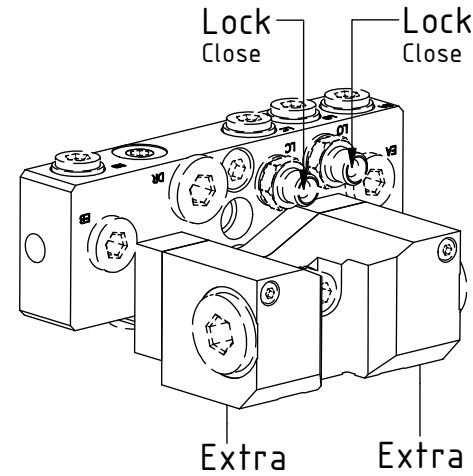
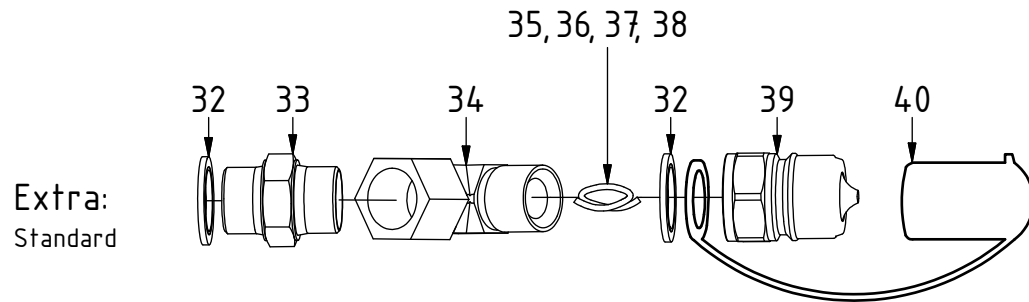
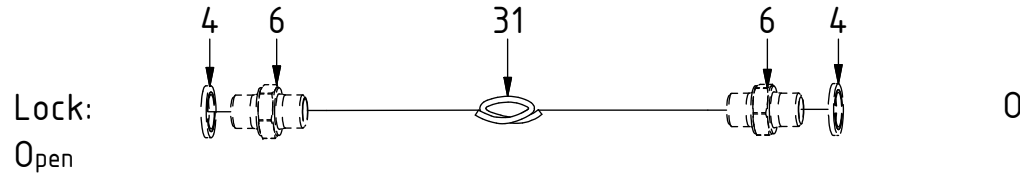
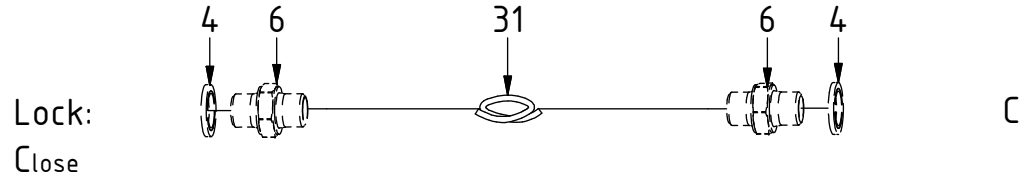
POS	DESCRIPTION	PART	QTY	COMMENTS
3	Plug 70125-06 (3/8")	711504	4	
4	Washer GBR04 1/4	710702	8	
5	Plug 153-04 (1/4")	711505	4	
6	Adapter 138-04-29 (1/4")	710135		
7	Plug 70125-08 (1/2")	711500	1	

POS in order of assembly



EC233 - CW40(S)EC

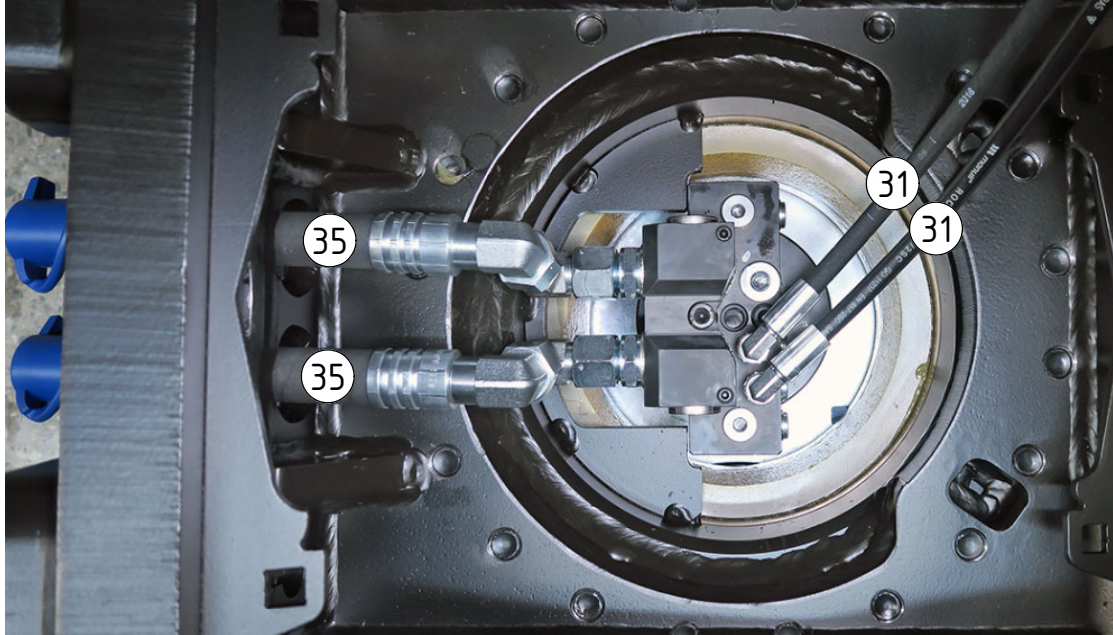
POS	DESCRIPTION	PART	QTY	COMMENTS
4	Washer GBR04 1/4	710702	8	
6	Adapter 138-04-29 (1/4")	710135	4	
31	Hose Lock	740103	2	
32	Washer GBR12 3/4	710706	4	
33	Adapter 136-12-12 (3/4")	710126	2	
34	Adapter 407-12-12 90° (3/4")	7000010	2	
35	Hose Extra - SEC 10° (Narrow)		2	
36	Hose Extra - EC 10°		2	
37	Hose Extra - EC 13°		2	
38	Hose Extra - EC 0°		2	
39	Quick coupling 3/4"	790193	2	
40	Dust protection 3/4"	790195	2	



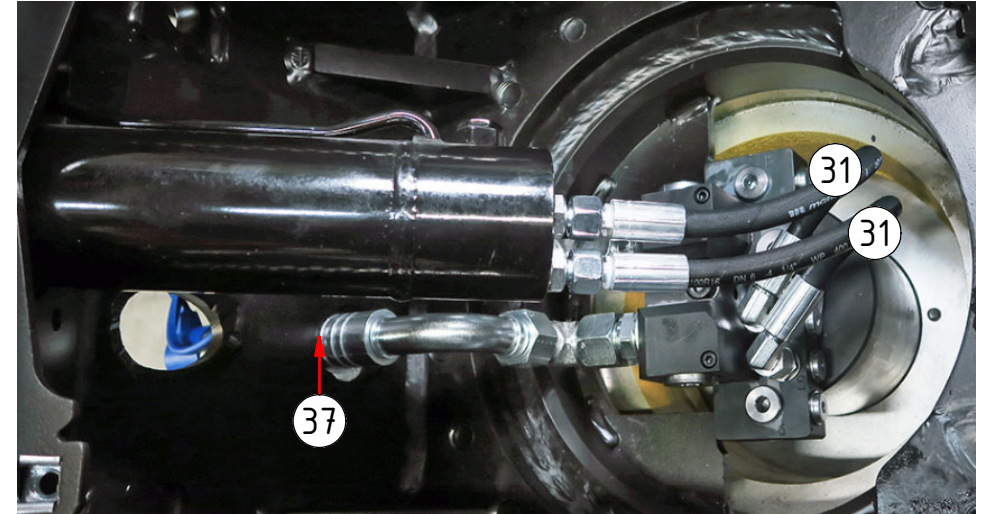
EC233 - CW40(S)EC

POS	DESCRIPTION	PART	QTY	COMMENTS
31	Hose Lock	74.0103	2	
35	Hose Extra - SEC 10° (Narrow)		2	
36	Hose Extra - EC 10°		2	
37	Hose Extra - EC 13°		2	
38	Hose Extra - EC 0°		2	

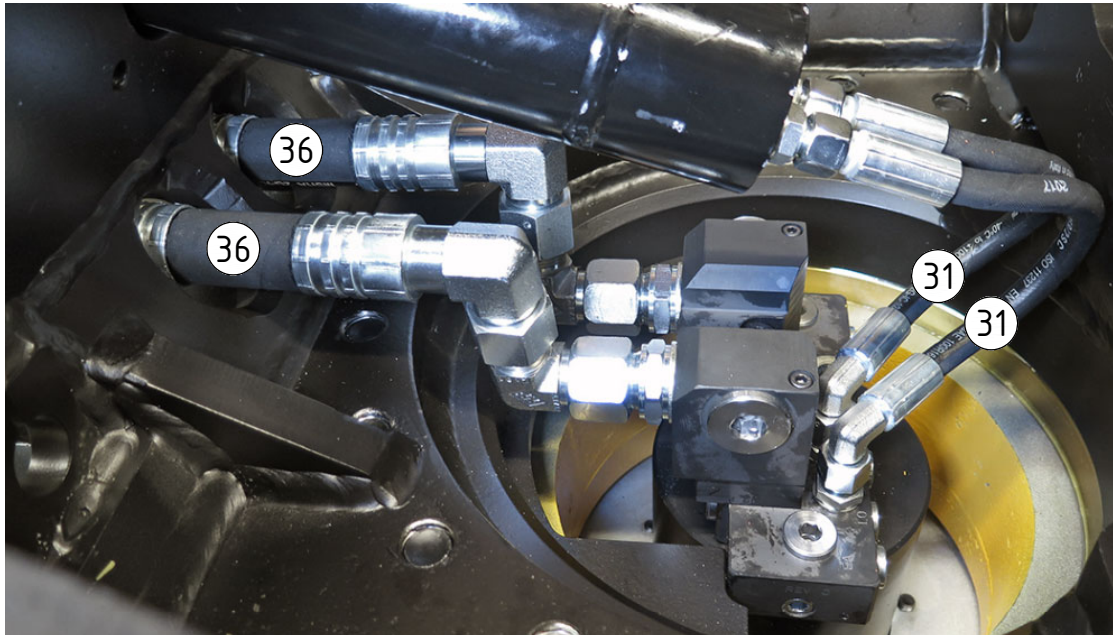
SEC 10° (Narrow)



EC 13°



EC 10°



EC 0°

