

## COVERSHEET

### Planned document changes:

**Briefly:**

---

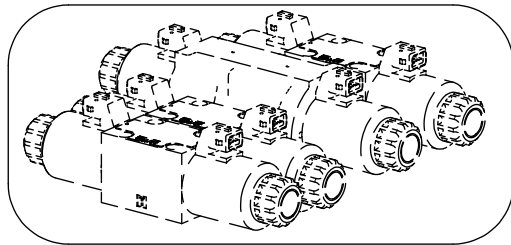
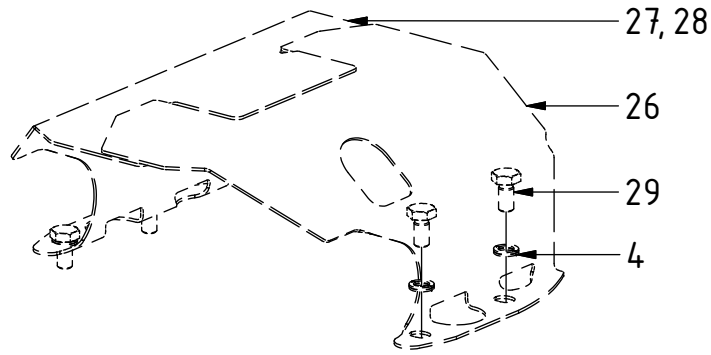
No planned changes.

### Document changes:

<u>Date:</u>	<u>Change:</u>	<u>Rev. after change:</u>
2023-05-10	Hose for option Feed Right/Left updated.	E
2022-03-10	Torque added.	D
2021-08-13	Missing part nos added to partslist.	C
2020-11-18	EC-Oil feed hoses replaced. Tilt hose adapter corrected.	B
2019-08-16	Valve covers corrected.	A
2019-05-24	New instruction.	-

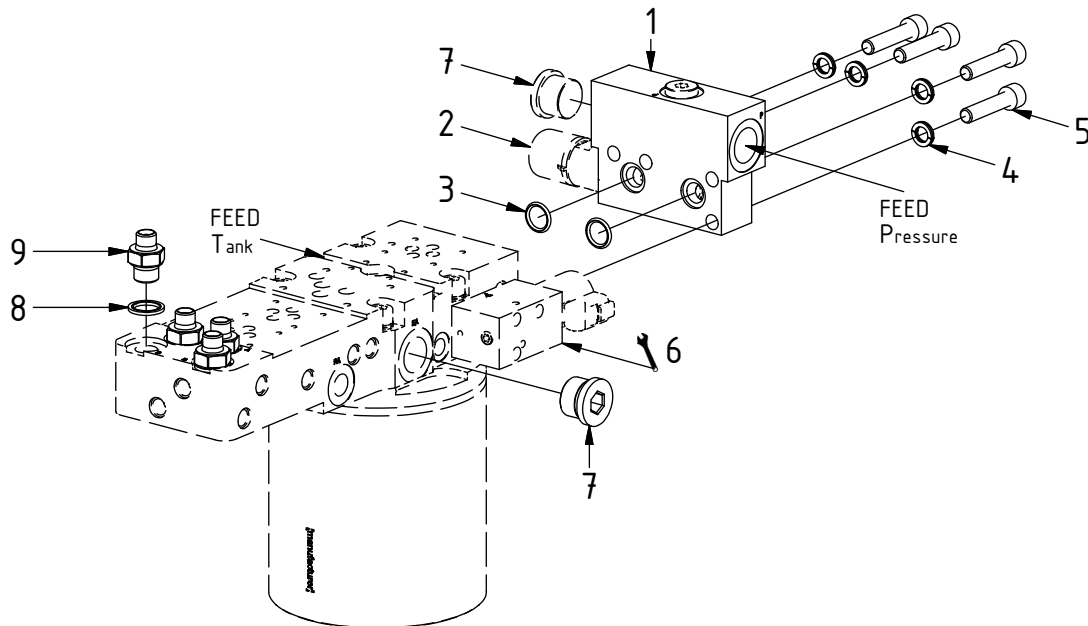
# EC214 QSM - ss10 (DC2/SVAB) Hoses

POS in order of assembly

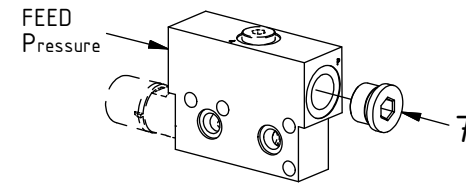


See instruction,  
Std. Valves & cables

POS	DESCRIPTION	PART	QTY	COMMENTS
1	Connection block P reducer Compl.	1027363	1	(POS.2, 7 included)
2	Pressure reduction valve VRN-10	730326	1	
3	O-ring 15,54x2,62	712423	2	
4	Washer NL 10mm	611041	8	QTY: 4 part of make up
5	MC6S M10x45 12.9	610589	4	
6	Mount before adapters and feed hoses			See "Std Valves & cables"
7	Plugg VSTIR34ED	711532	3	Torque: 120Nm
8	Washer GBR06 3/8	710703	4	
9	Adapter 135-04-06 (1/4"-3/8")	710118	4	
26	Protective cover EC214 left	1016548	1	
27	Protective cover EC214 right	1016547	1	
28	Protective cover EC214 MACS right	1030154	1	For MACS
29	Screw M6S 10x20	610141	4	



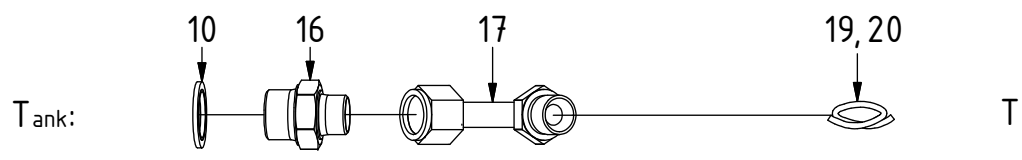
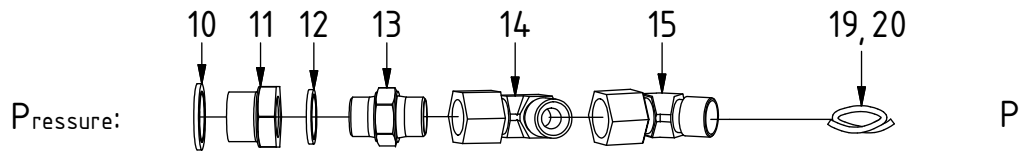
Top EC-Oil  
(Not for 2Bl.Feed)



# EC214 QSM - ss10 (DC2/SVAB) Hoses

POS in order of assembly

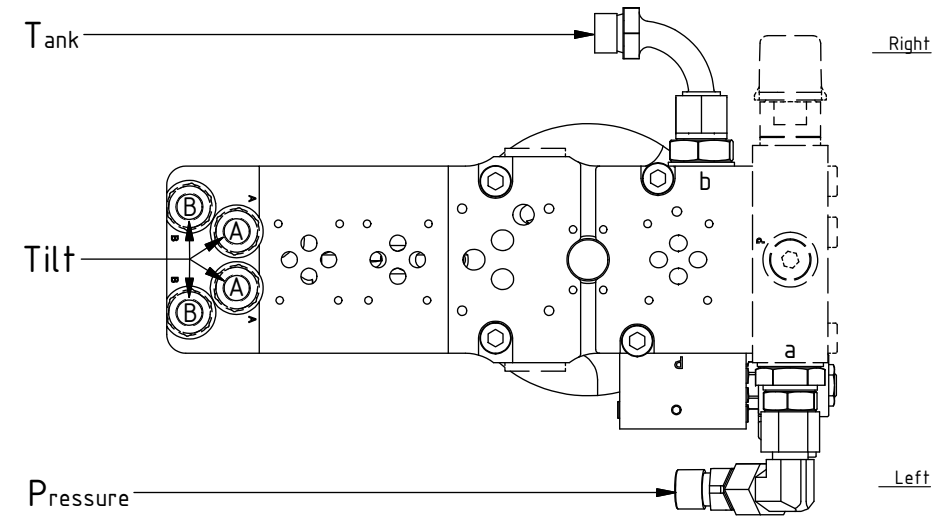
1/2" (Std)  
FEED



TILT



POS	DESCRIPTION	PART	QTY	COMMENTS
8	Washer GBR06 3/8	710703	4	
9	Adapter 135-04-06 (1/4"-3/8")	710118	4	
10	Washer GBR12 3/4	710706	6	
11	Adapter 234-12-08 (3/4"-1/2")	712219	1	
12	Washer 1/2"	710704	1	
13	Adapter 136-08-08 (1/2")	710108	1	
14	Adapter 407-08-08 90° (1/2")	7000021	1	
15	Adapter 408-08-08 45° (1/2")	7000074	1	
16	Adapter 135-08-12 (1/2"-3/4")	710109	1	QTY: 2 for EC-Oil
17	Adapter 488-08-08 90° (1/2")	712209	1	
19	Hose Feed 1/2" P/T	742620	2	QTY: 1 for Feed Right/Left
20	Hose Feed 1/2" Right/Left	742657	1	Feed Right: Mount on left side Feed Left: Mount on right side
25	Hose Tilt	743001	4	



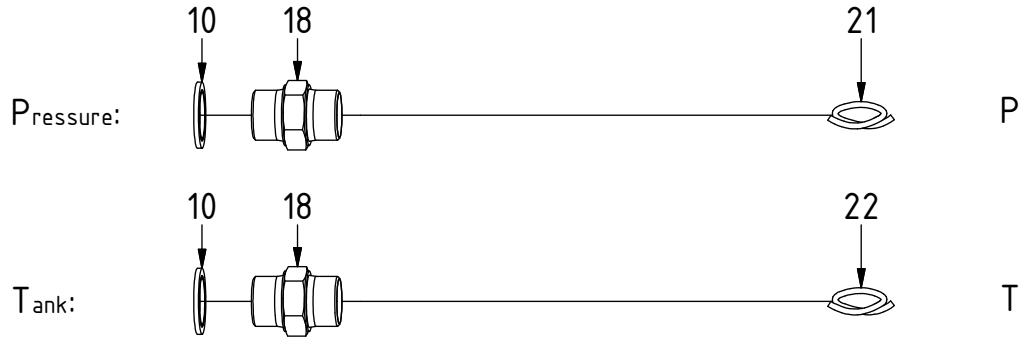
Dashed lines for overview, mounts on other pages/assemblies. indicates instruction. represents hose.

# EC214 QSM - ss10 (DC2/SVAB) Hoses

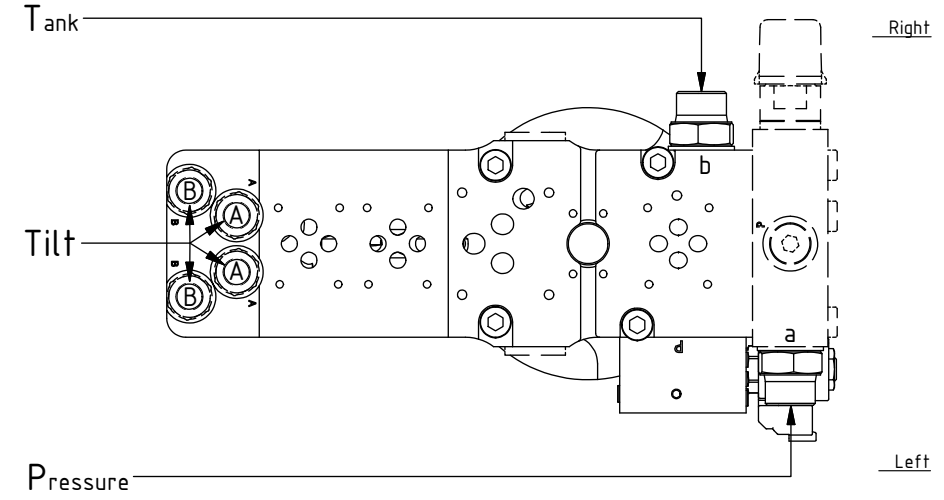
POS in order of assembly

3/4"  
FEED

POS	DESCRIPTION	PART	QTY	COMMENTS
8	Washer GBR06 3/8	710703	4	
9	Adapter 135-04-06 (1/4"-3/8")	710118	4	
10	Washer GBR12 3/4	710706	6	
18	Adapter 136-12-12 3/4"	710126	2	
21	Hose Feed 3/4" P	743010	1	
22	Hose Feed 3/4" T	743007	1	
25	Hose Tilt	743001	4	



TILT



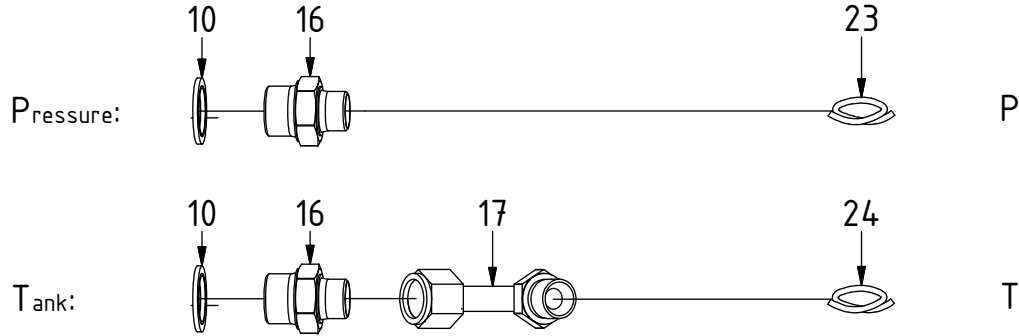
Dashed lines for overview, mounts on other pages/assemblies. \ indicates instruction. represents hose.

# EC214 QSM - ss10 (DC2/SVAB) Hoses

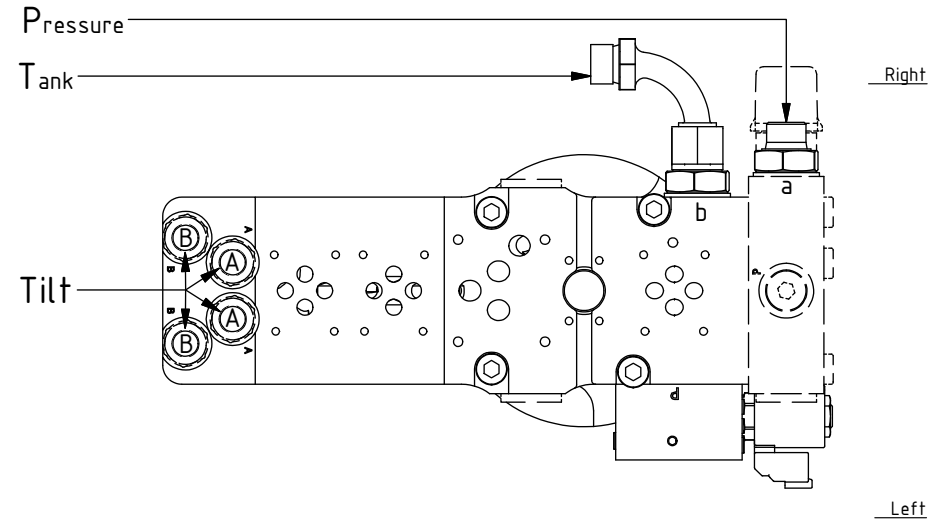
POS in order of assembly

POS	DESCRIPTION	PART	QTY	COMMENTS
8	Washer GBR06 3/8	710703	4	
9	Adapter 135-04-06 (1/4"-3/8")	710118	4	
10	Washer GBR12 3/4	710706	6	
16	Adapter 135-08-12 (1/2"-3/4")	710109	1	QTY: 2 for EC-Oil
17	Adapter 488-08-08 90° (1/2")	712209	1	
23	Hose Feed EC-Oil P	7001299	1	
24	Hose Feed EC-Oil T	7001300	1	
25	Hose Tilt	743001	4	

## Top EC-Oil FEED



## TILT

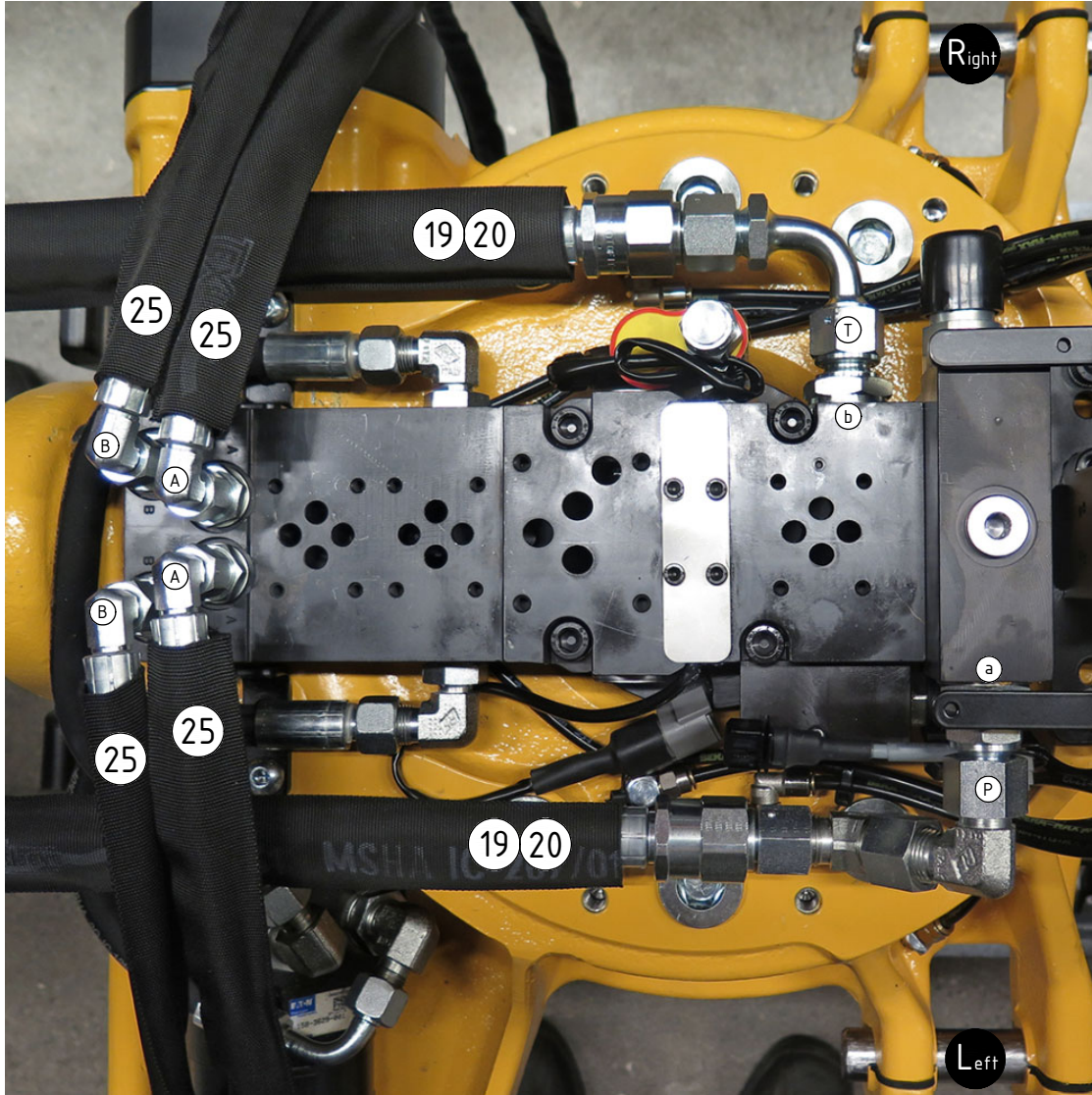


# EC214 QSM - ss10 (DC2/SVAB) Hoses

1/2" (Std)

POS	DESCRIPTION	PART	QTY	COMMENTS
19	Hose Feed 1/2" P/T	742620	2	QTY: 1 for Feed Right/Left
20	Hose Feed 1/2" Right/Left	742657	1	Feed Right: Mount on left side Feed Left: Mount on right side
25	Hose Tilt	743001	4	

POS in order of assembly



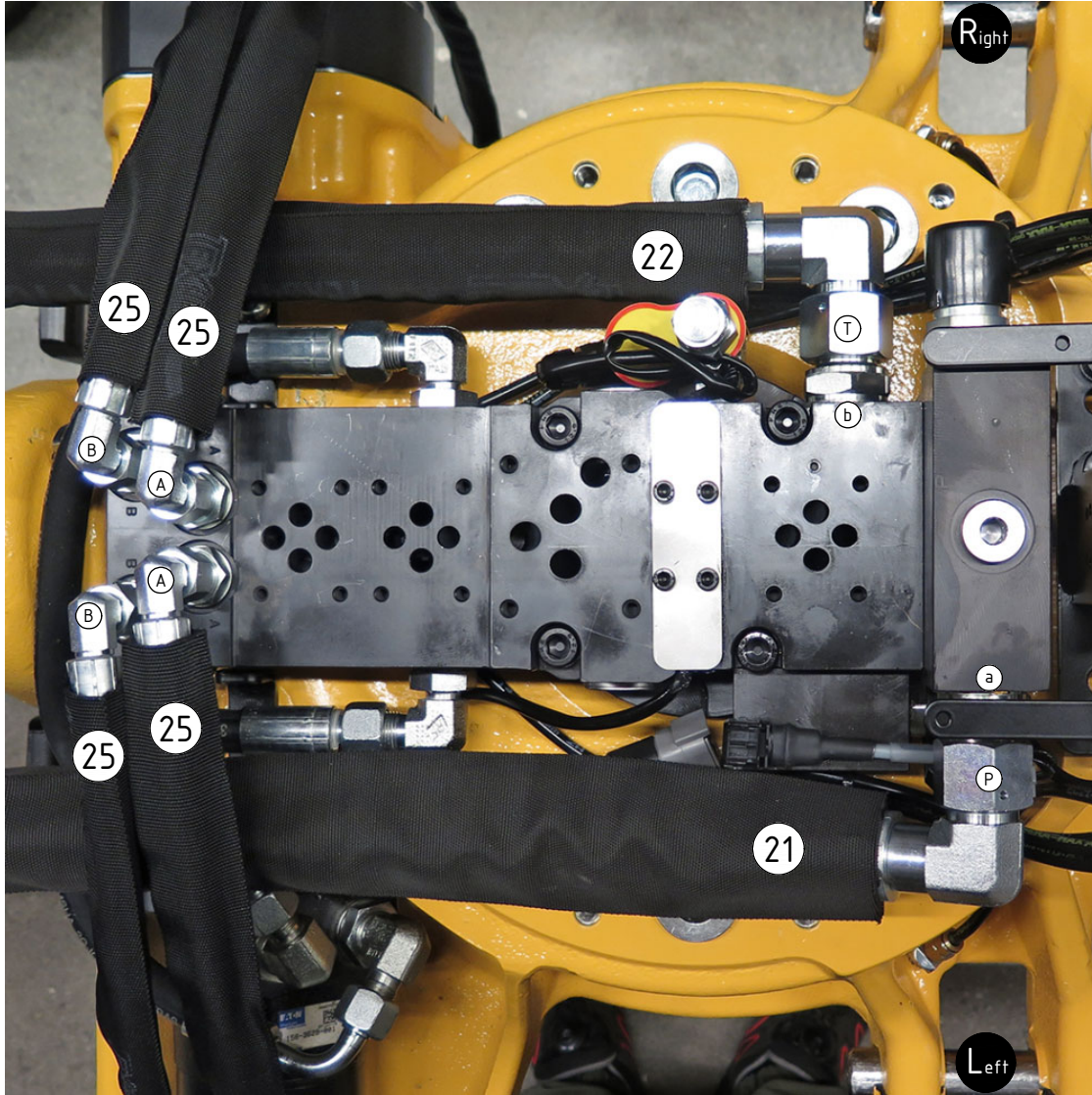


# EC214 QSM - ss10 (DC2/SVAB) Hoses

3/4"

POS	DESCRIPTION	PART	QTY	COMMENTS
21	Hose Feed 3/4" P	743010	1	
22	Hose Feed 3/4" T	743007	1	
25	Hose Tilt	743001	4	

POS in order of assembly

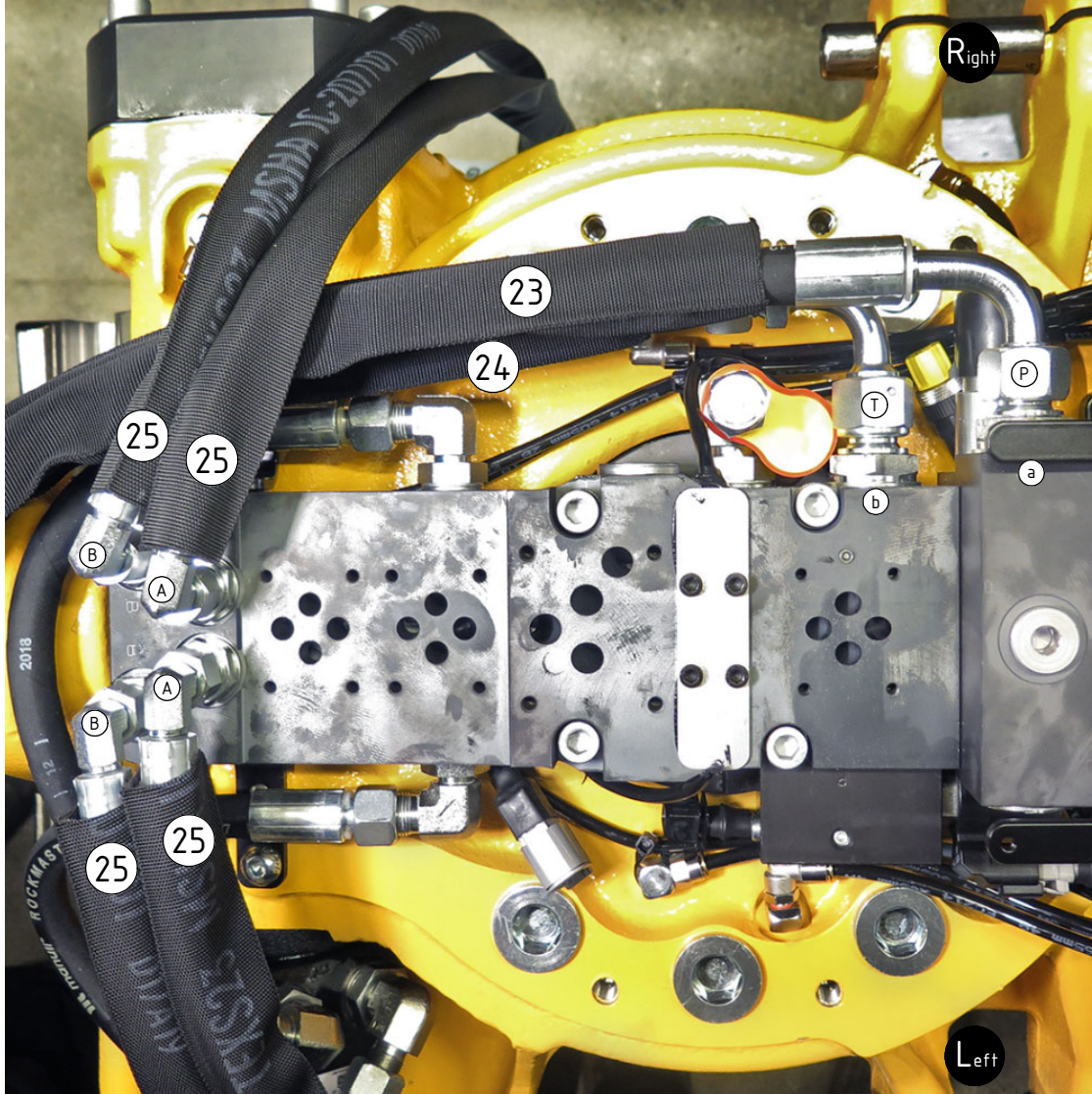


# EC214 QSM - ss10 (DC2/SVAB) Hoses

Top EC-Oil

POS	DESCRIPTION	PART	QTY	COMMENTS
23	Hose Feed EC-Oil P	7001299	1	
24	Hose Feed EC-Oil T	7001300	1	
25	Hose Tilt	743001	4	

POS in order of assembly





## Related spare parts

POS	DESCRIPTION	PART	QTY	COMMENTS
10	Washer GBR12 3/4	710706	6	
11	Adapter 234-12-08 (3/4"-1/2")	712219	1	
12	Washer 1/2"	710704	1	
13	Adapter 136-08-08 (1/2")	710108	1	
14	Adapter 407-08-08 90° (1/2")	7000021	1	
15	Adapter 408-08-08 45° (1/2")	7000074	1	
23	Hose Feed EC-Oil P	7001299	1	
24	Hose Feed EC-Oil T	7001300	1	
30	Hose Feed EC-Oil Short	742653	1	Replaced by POS.23 from 2020-01
31	Hose Feed EC-Oil Long	742335	1	Replaced by POS.24 from 2020-01

POS in order of assembly

