

## COVERSHEET

## Planned document changes:

**Briefly:**

---

Replace POS.27 with 6000150.

## Document changes:

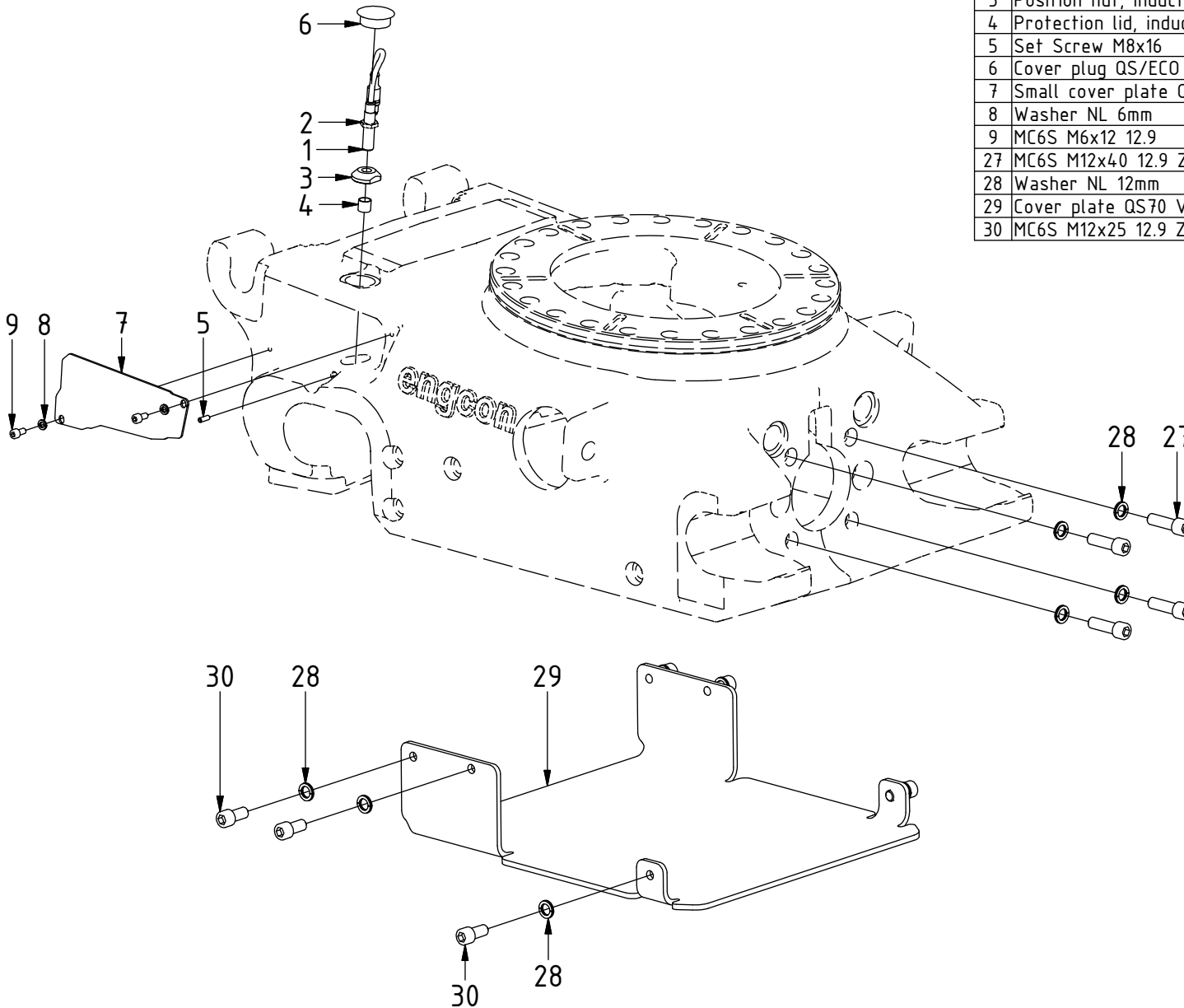
<b>Date:</b>	<b>Change:</b>	<b>Rev. after change:</b>
2021-03-09	Hook replaced. Small cover plate replaced.	C
2020-04-01	Loctite for steering updated.	B
2019-10-07	Photos added.	A
2019-05-15	New instruction.	-

# QSM70 - Std components

EC226, EC233

POS	DESCRIPTION	PART	QTY	COMMENTS
1	Inductive sensor QSM	1048262	2	Connect to slip ring QSM
2	Hex nut			(Included with sensor)
3	Position nut, inductive sensor	1029432	1	
4	Protection lid, inductive sensor	8000056	1	
5	Set Screw M8x16	610808	1	
6	Cover plug QS/ECO	8000068	1	
7	Small cover plate QSM70 V3	1061519	2	
8	Washer NL 6mm	611039	4	
9	MC6S M6x12 12.9	610412	4	
27	MC6S M12x4.0 12.9 ZFSHL	6000141	4	
28	Washer NL 12mm	611042	10	QTY: 4 for EC-Oil
29	Cover plate QS70 V2	1034902	1	No cover plate for EC-Oil
30	MC6S M12x25 12.9 ZFSHL	6000164	6	

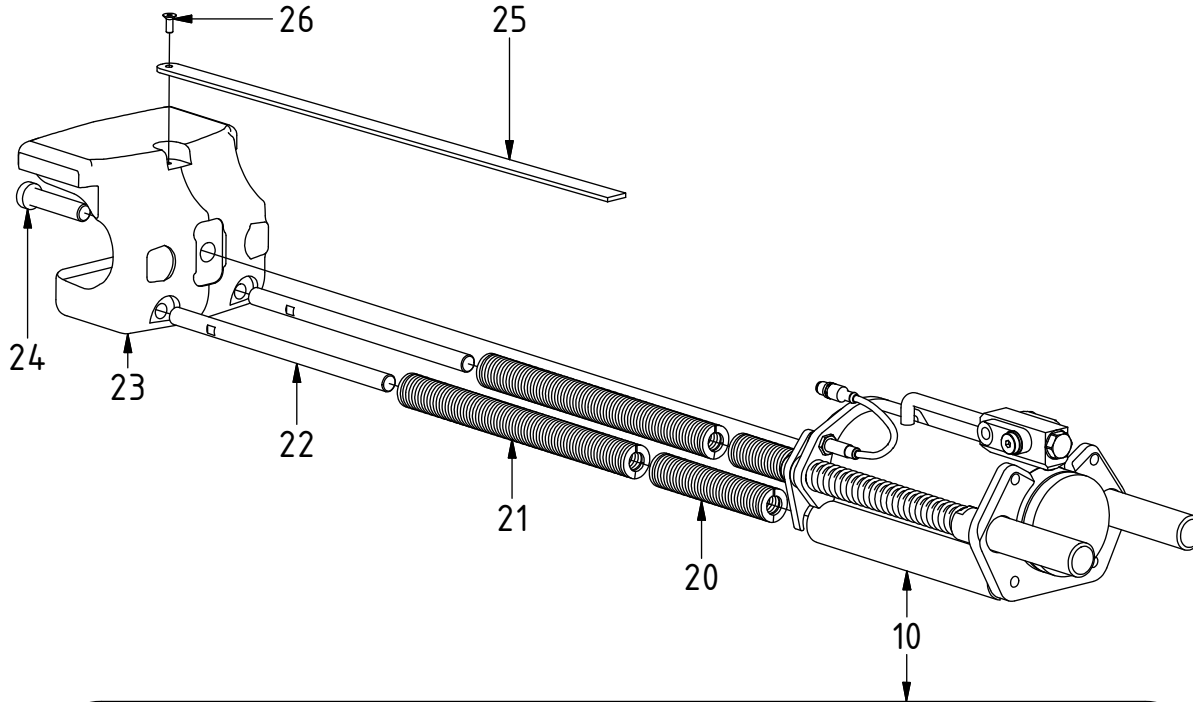
POS in order of assembly



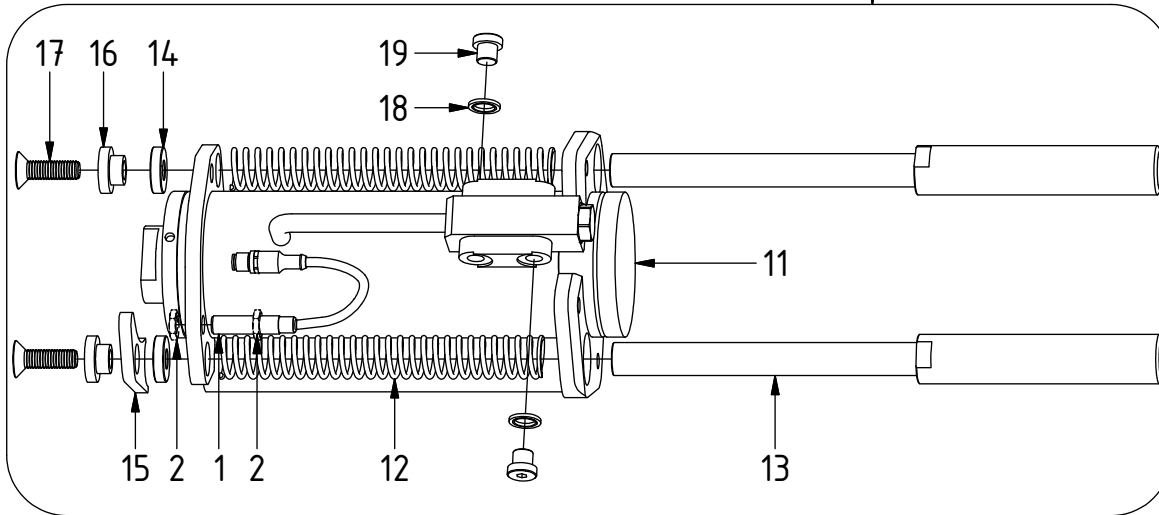
# QSM70 - Std components

EC226, EC233

POS in order of assembly



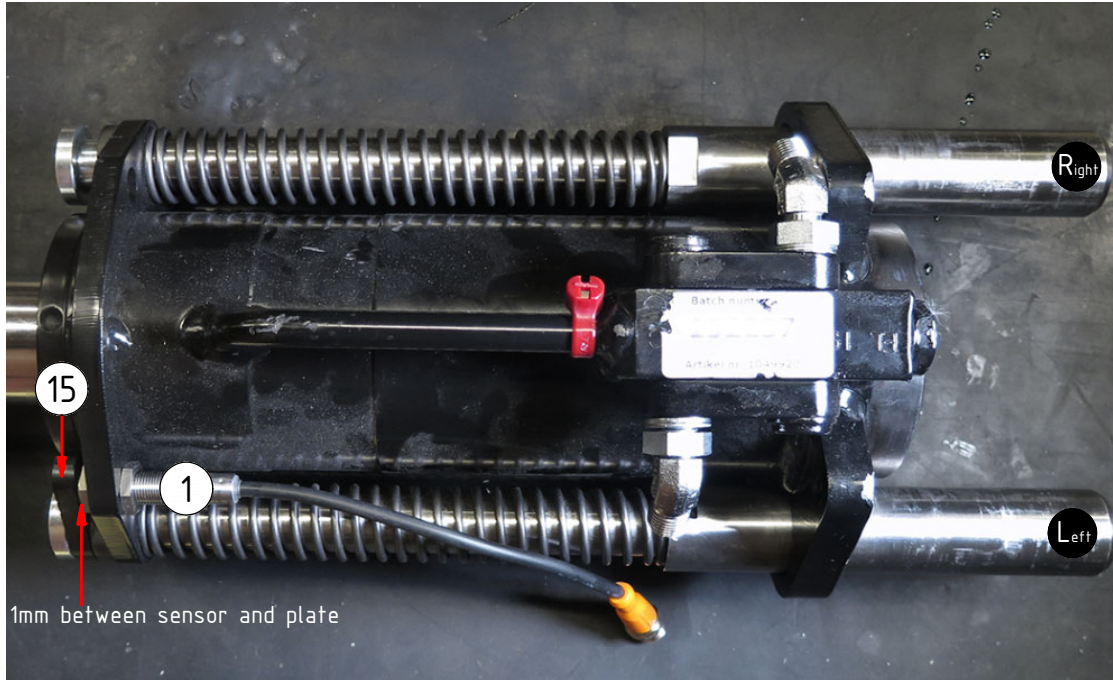
POS	DESCRIPTION	PART	QTY	COMMENTS
1	Inductive sensor QSM	1048262	2	Connect to slip ring QSM
2	Hex nut		2	(Included with sensor)
10	Lock cylinder V4 QSM70 Comp. QSC	1049920	1	(POS.1, 11-19 included)
11	Lock cylinder QS70 V4	1049245	1	See "Lock cylinders"
12	Spring QS70/80 Ejectors 21,8x210	1049974	2	
13	Ejector QS70/QS80	1034935	2	
14	Spacer QS70	1035752	2	
15	Sensor plate	1035751	1	Assemble with sligth play
16	Spacer M12 L15	1008243	2	
17	Screw MF6S 12x40	610670	2	Loctite 2700
18	Washer GBR04 1/4	710702	2	
19	Plug 1/4"	711505	2	
20	Spring 32x152	1025178	2	
21	Spring 32x305	1025179	2	
22	Steering QS70-80	1024695	2	Loctite 6300
23	Hook QS70 Double Radius Cast	1037431	1	
24	MLC6S M16x70 10.9	610720	1	Loctite 2700
25	Indicator pin QS (610mm)	1036201	1	Cut to fit
26	Flat head socket screw 6x16	610604	1	



# QSM70 - Std components

EC226, EC233

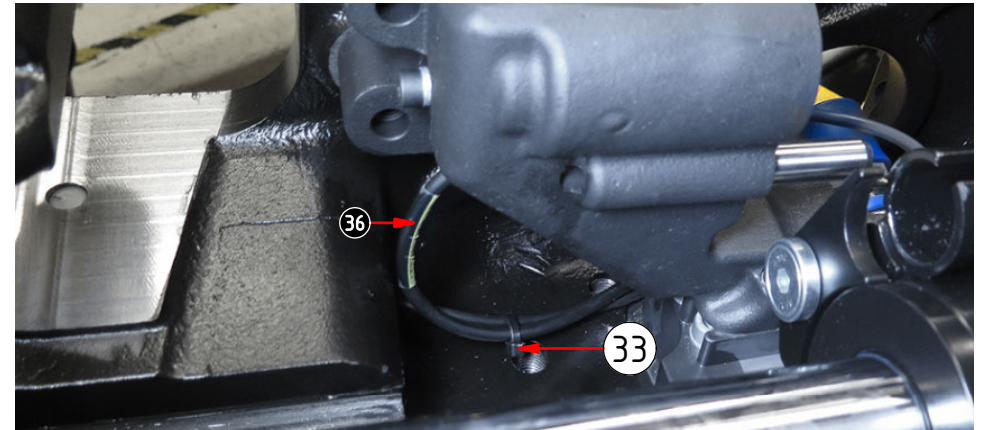
Sensor Cylinder:



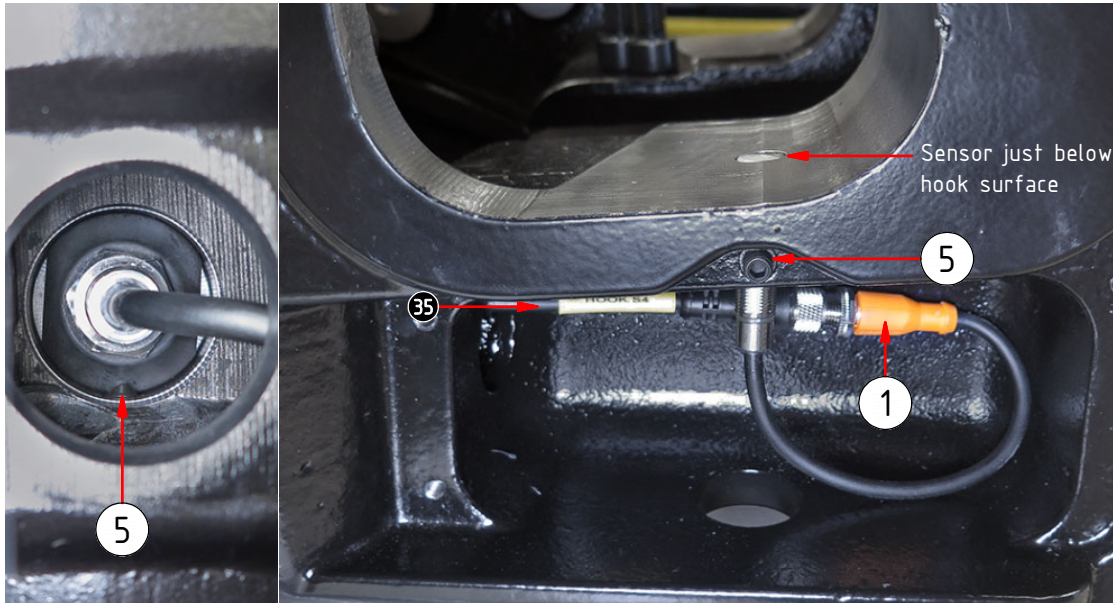
POS	DESCRIPTION	PART	QTY	COMMENTS
1	Inductive sensor QSM	1048262	2	Connect to slip ring QSM
5	Set Screw M8x16	610808	1	
15	Sensor plate	1035751	1	Assemble with sligth play
31	Rubber steel clamp 12	790155	1	
32	MC6S M5x16	610401	1	Loctite 2400
33	Cable tie 4,8x360	1021586	3	
34	Cable from slip ring (Ejector)			
35	Cable from slip ring (Hook)			
36	Cable from slip ring (ECO)			

POS in order of assembly

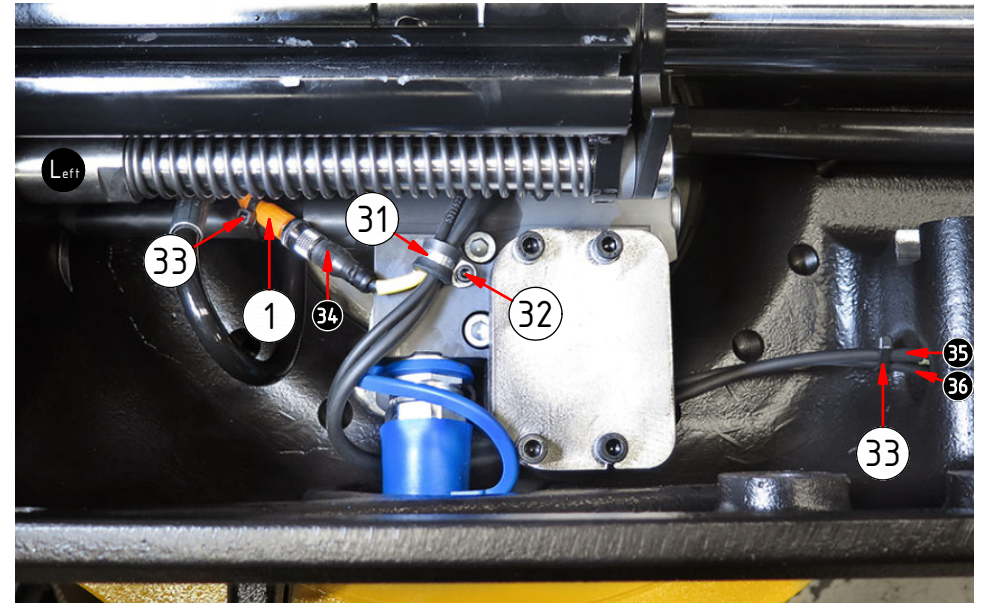
ECO Cable:



Sensor Hook:



Sensor Cables:

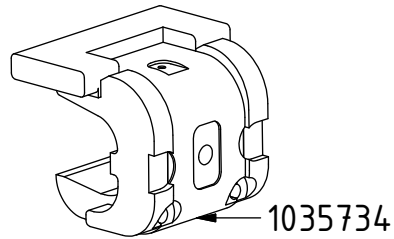


Dashed lines for overview, mounts on other pages/assemblies. indicates instruction. represents hose.

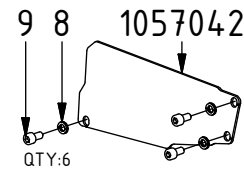
## Related spare parts

POS	DESCRIPTION	PART	QTY	COMMENTS
7	Small cover plate QSM70 V3	1061519	2	
8	Washer NL 6mm	611039	4	
9	MC6S M6x12 12.9	610412	4	
23	Hook QS70 Double Radius Cast	1037431	1	
37	Small cover plate QSM70	1048078	2	

Replaced by POS.23  
from 2020-09



Replaced by POS.7  
from 2021-02



Replaced by 1057042  
from 2020-06

