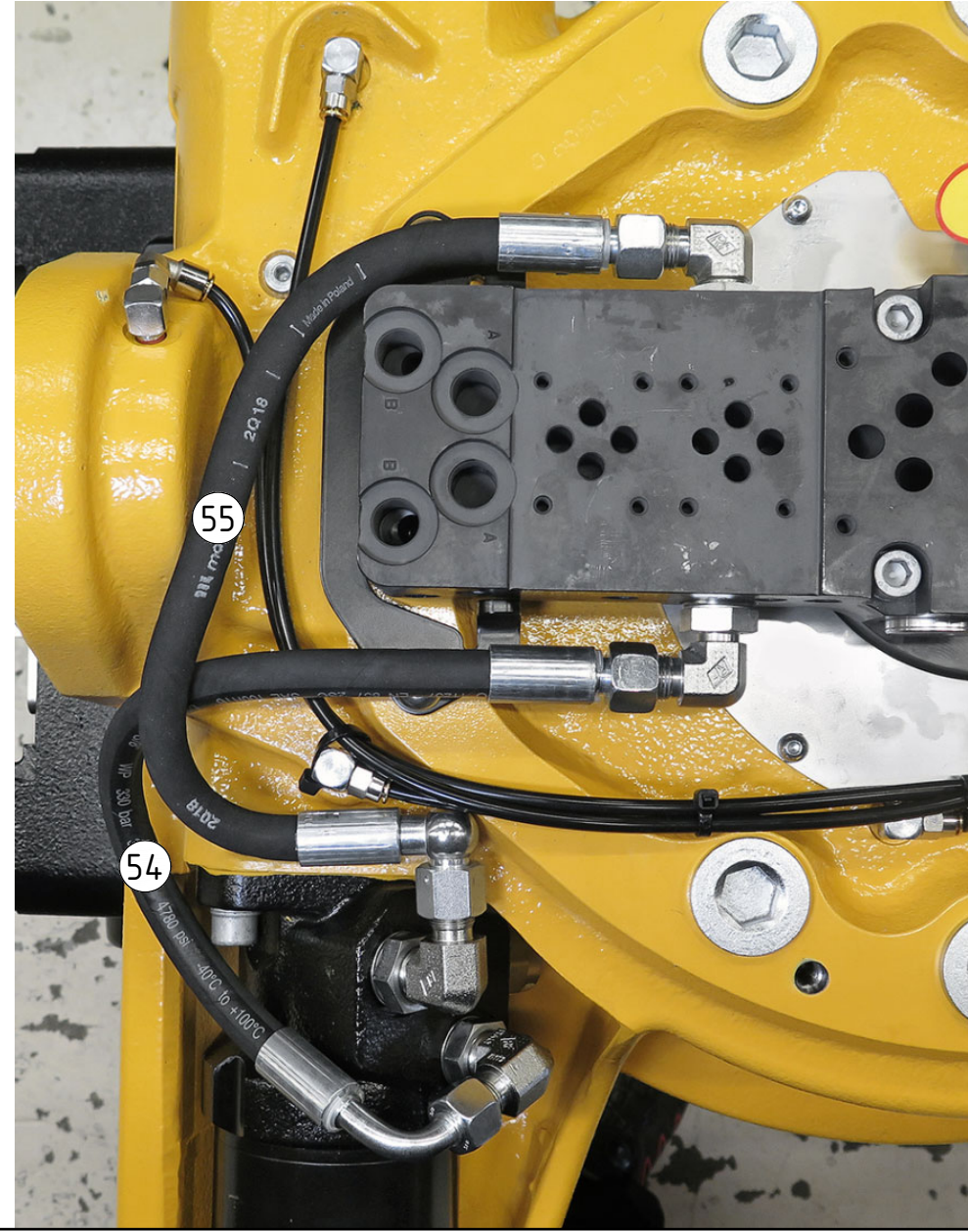
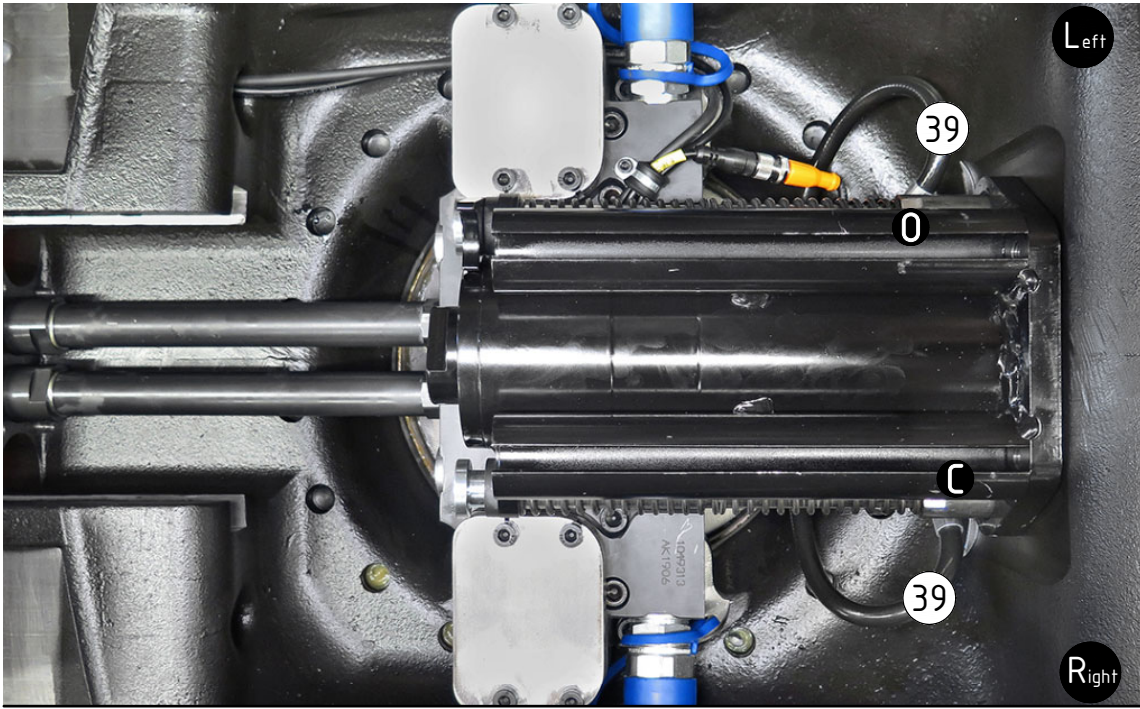
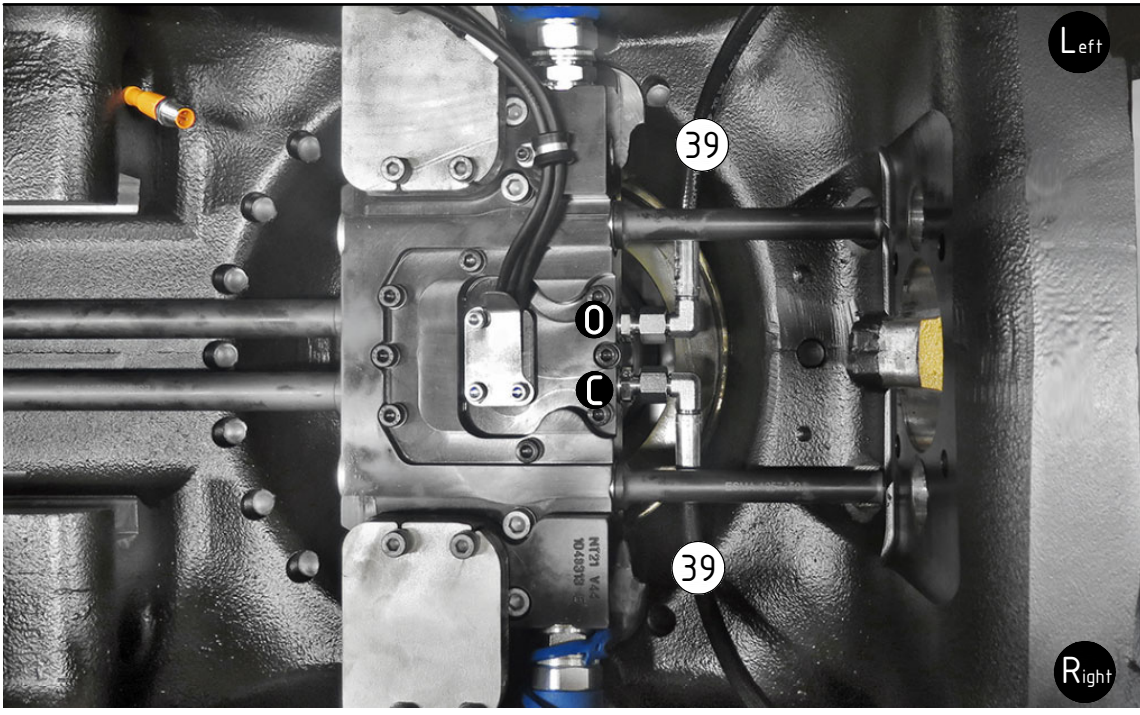
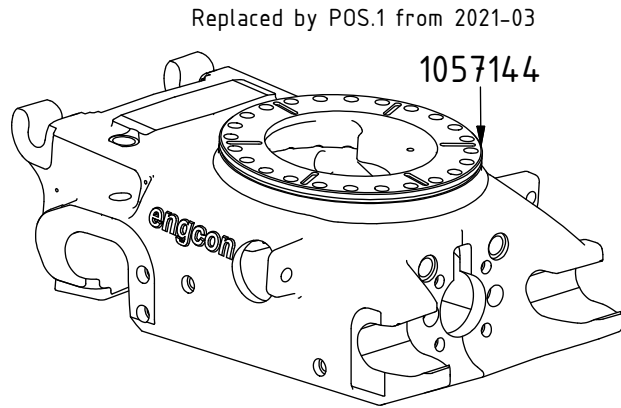


POS	DESCRIPTION	PART	QTY	COMMENTS
39	Hose Lock	742649	2	
54	Hose hydraulic motor A	7000958	1	
55	Hose hydraulic motor B	7000957	1	

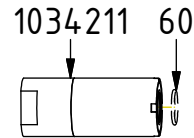


SPARE PARTS



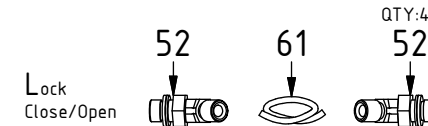
POS	DESCRIPTION	PART	QTY	COMMENTS
1	Quick hitch QSM70 V3 EC226	1061736	1	
37	Washer GBR04 1/4	710702	2	
40	Washer GBR08 1/2	710704	8	
48	Plug 70125-12 (3/4")	711532	2	
50	Coupling ECO QSM 1/2" female V3	1055420	2	Loxéal 83-52. (POS.51 included)
51	Flat sealing for ECO 1/2" V3	1050018	2	
52	Adapter 45° 402-04-04(1/4")	7000104	2	
56	Protection plug HECO70 hydraulic	7000156	2	
57	Adapter 1/2"-1/4" bolted GRD	1049234	2	
58	Quick Coupler 1/4" Male 2520	790111	2	
59	Dust Protection 1/4"	790119	2	
60	O-ring 17.17x1.78	710913	2	Used until 2020-01 Separate seal kit: 7000046
61	Hose Lock	742649	2	
62	Adapter 236-04-04	1013885	2	
63	Banjo bolt 4451-04 (1/4")	710271	4	

QSM-Q:

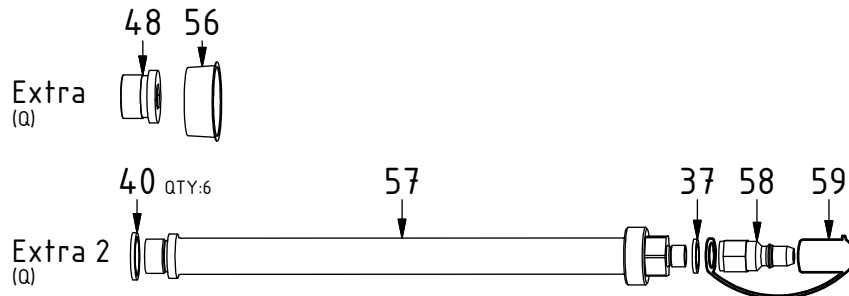


O-rings between versions are not compatible

Used until 2021-08:



QSM:



Used until 2022-01:

