

COVERSHEET

Planned document changes:

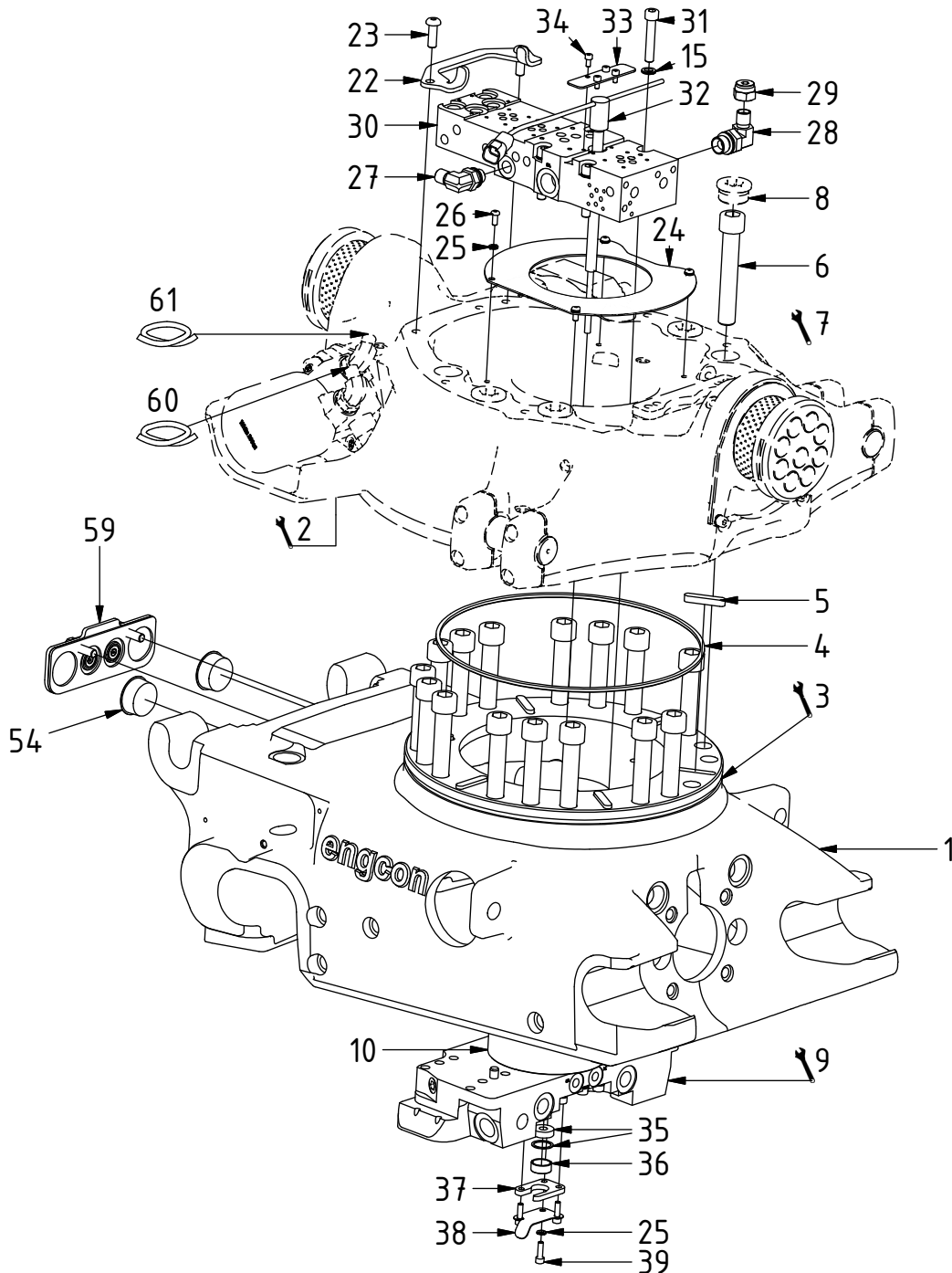
Briefly:

No planned changes.

Document changes:

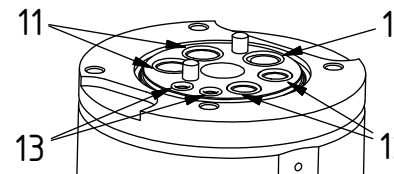
Date:	Change:	Rev. after change:
2019-10-14	Screw quality updated. Photo added.	C
2019-08-28	Hose Lock updated.	B
2019-06-20	Item no for connection block with swivel corrected.	A
2019-05-13	New instruction.	-

EC226 - QSM70



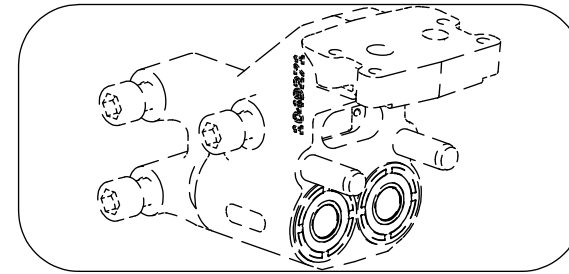
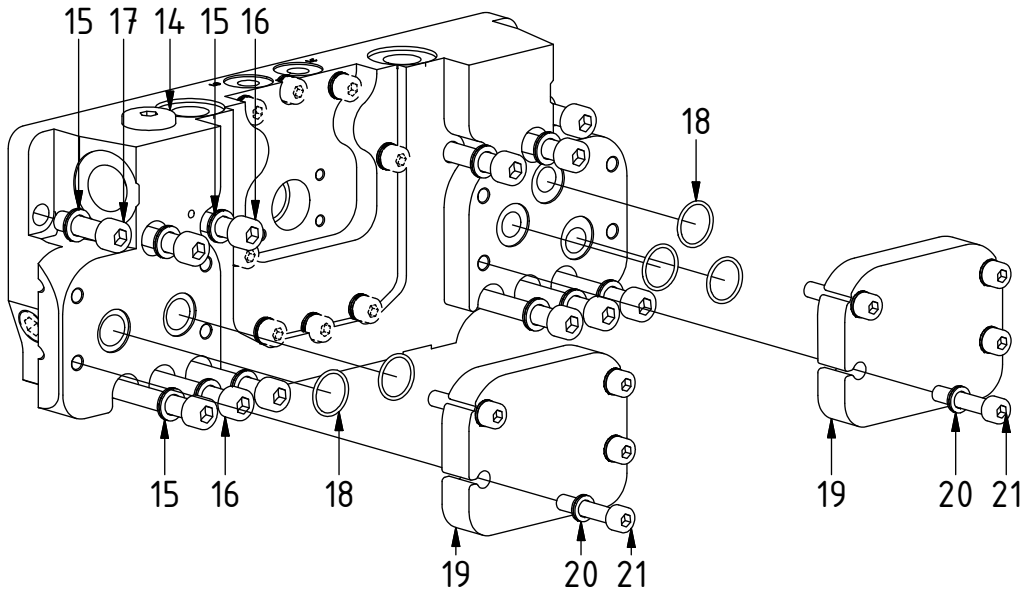
POS	DESCRIPTION	PART	QTY	COMMENTS
1	Quick hitch QSM70 EC226	1047601	1	
2	Assemble break support			See separate instruction
3	Grease the ring			
4	O-ring 319,3x5,7	710908	1	
5	Feather Key	650102	6	
6	MC6S M20x120 12.9	610558	18	
7	Torque tighten quick hitch to rotator frame, six holes. Rotate to access the remaining holes			
8	Pipe plug M36x2	650408	6	
9	See p.3 connection block config.			
10	Connect. block & swivel QSM Compl.	1052682	1	See "Valve blocks & Swivels"
11	O-ring 17.17x1.78 N/70	710977	3	
12	O-ring 14x1,78 70 shore	710975	2	
13	Square ring 7,66x1,68 nbr	7000579	2	
15	Washer NL10	611041	16	
22	Swivel stop QSM EC226	1045935	1	
23	K6S M10x30 10.9 FZB	6000193	2	Loctite 2700
24	Plate swivel EC226 QSM	1052680	1	
25	Washer NL6	611039	7	
26	K6S M6x14 10.9 FZB	6000242	4	
27	Adapter 401-06-06 90° (3/8")	710152	2	Assemble before connecting valve block to swivel
28	Adapter 401-06-08 90° (3/8"-1/2")	710157	1	Assemble before connecting valve block to swivel
29	Protectioncap 3/8"	711626	1	
30	Valve Block QSM	1049297	1	
31	MC6S M10x55 12.9 Geomet	612022	4	
32	Slip ring QSM70 M12 EC226	1048341	1	
33	Cover plate slip ring QSM	1050384	1	
34	MC6S M5x10 12.9	610594	4	
35	Rubber bushing with washer	1046691	1	Use the outer ring. Washer down
36	Ring slip ring QSM	1046692	1	
37	Plate slip ring QSM	1046689	1	
38	Plate cable steering QSM	1046694	1	
39	MC6S 6x20 12.9	610310	3	
54	Protection plug HECO70 hydraulic	7000156	2	
59	Cover plate	1049358	1	Only for QSM-Q
60	Hose hydraulic motor A	7000957	1	
61	Hose hydraulic motor B	7000958	1	

O-rings between POS.10 & 30:



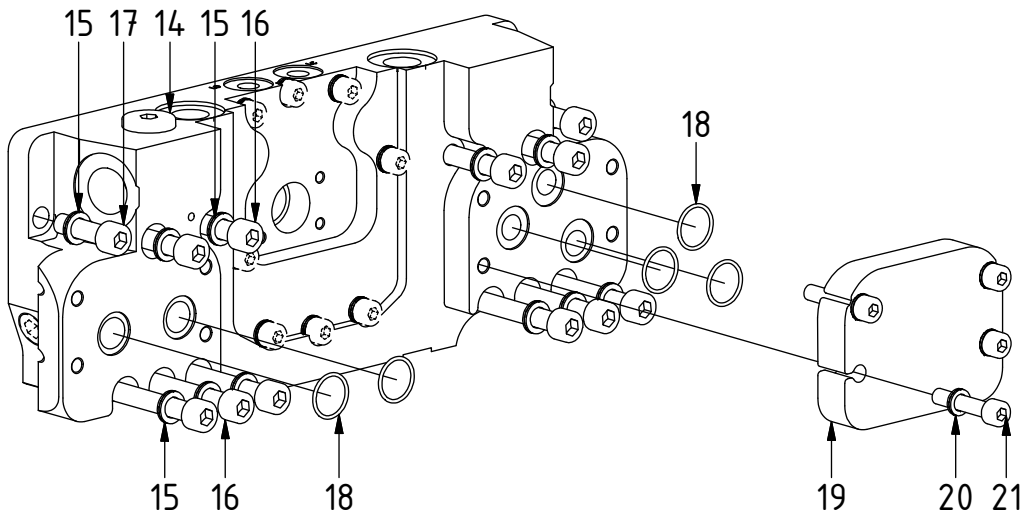
POS	DESCRIPTION	PART	QTY	COMMENTS
14	Plug		1	
15	Washer NL10	611041	16	
16	MC6S M10x70 12.9	610461	10	
17	MC6S M10x35 12.9	610494	2	
18	O-ring 18.77x1.78 N/90	710981	5	
19	Cover plate QSM70	1048075	2	
20	Washer NL8	611040	8	
21	MC6S M8x40 12.9	610437	8	

Standard

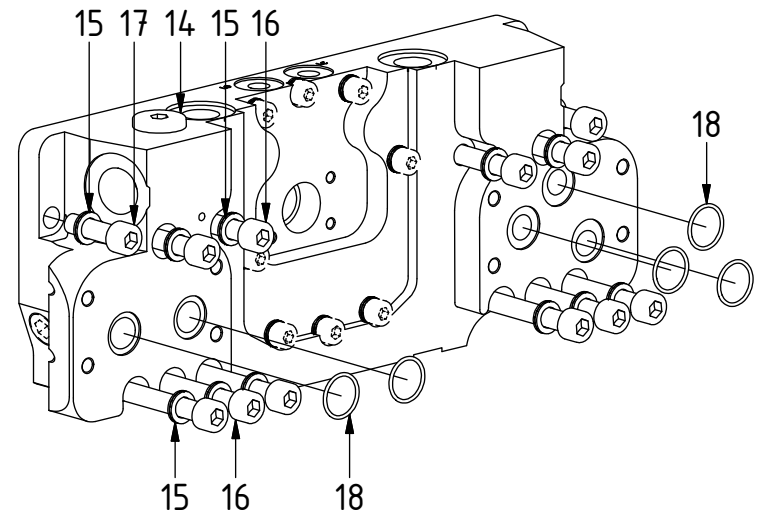


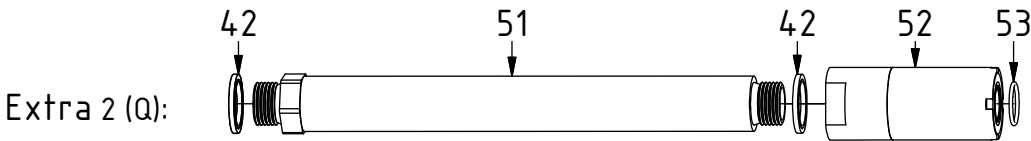
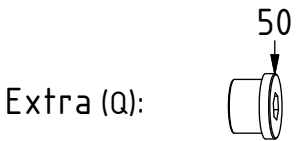
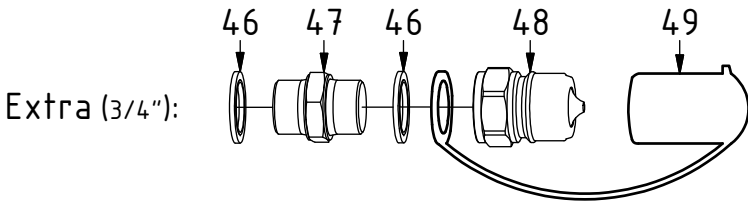
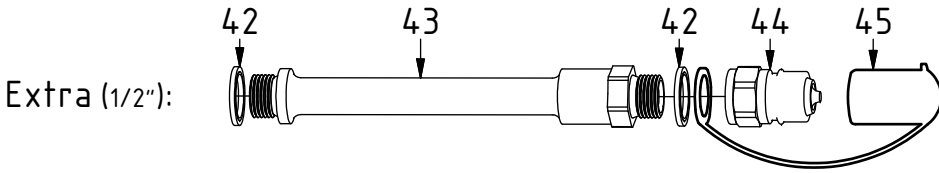
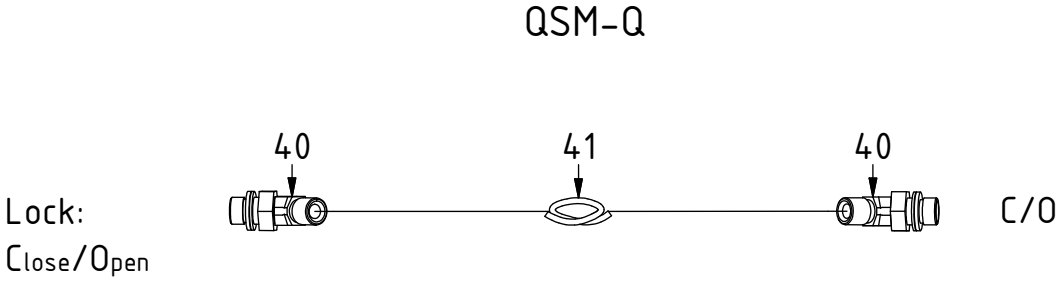
See instruction,
EC-Oil components

EC-Oil 1bl.

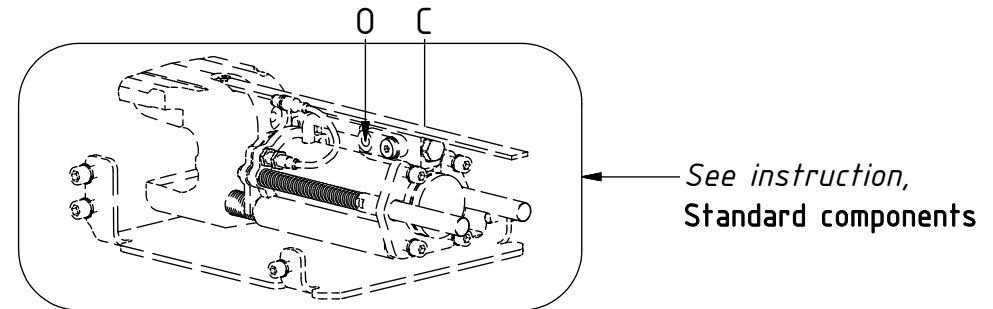
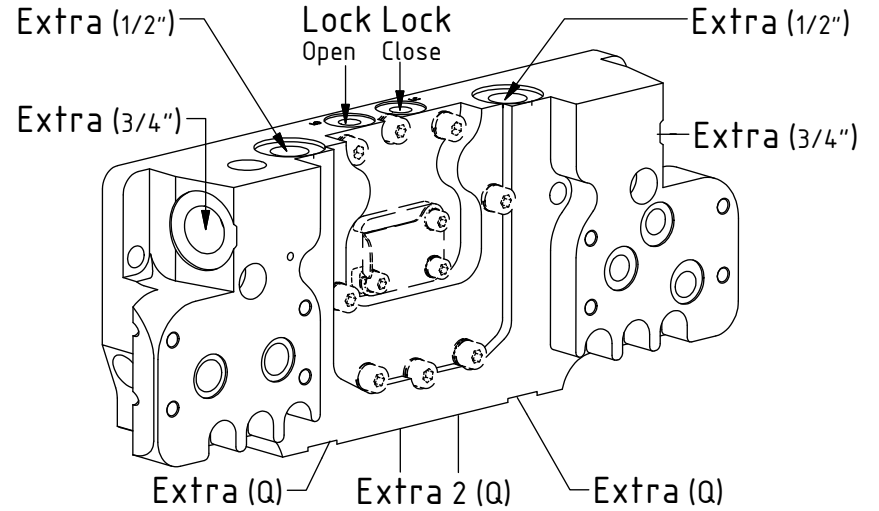


EC-Oil 2bl.

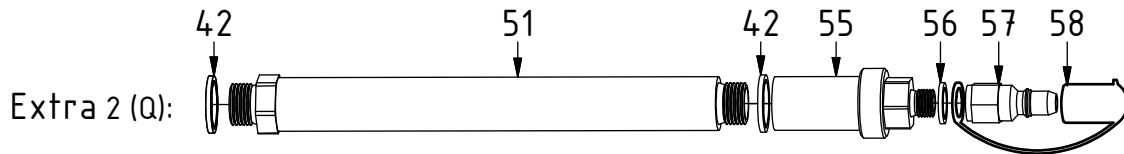
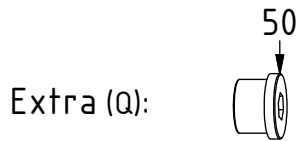
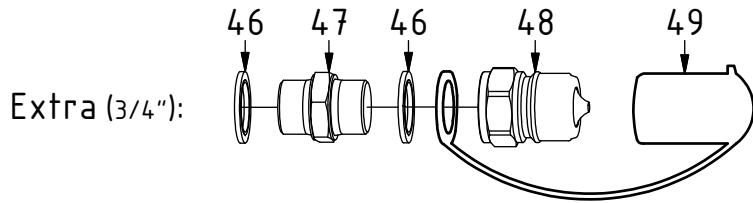
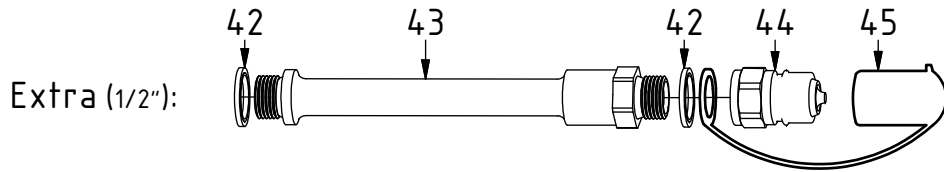
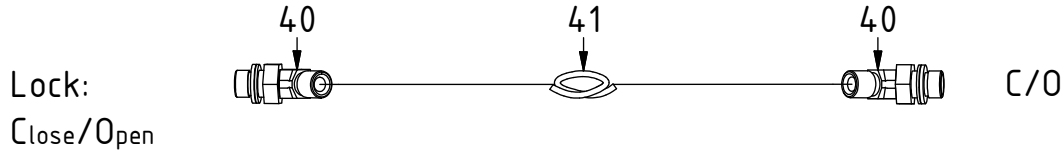




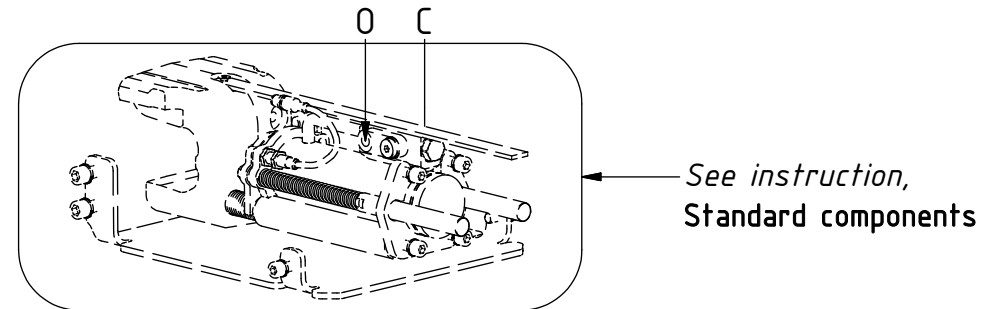
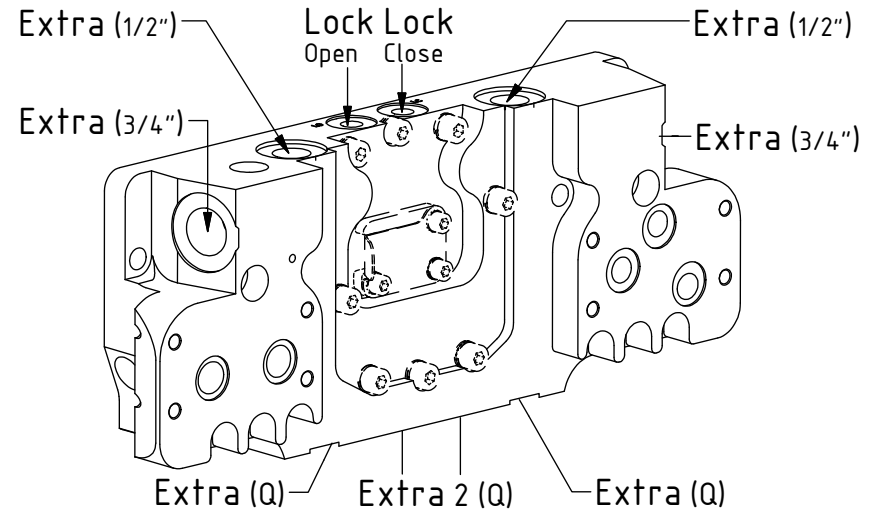
POS	DESCRIPTION	PART	QTY	COMMENTS
40	Adapter 402-04-04 45° (1/4")	7000104	4	
41	Hose Lock	742649	2	
42	Sealing washer 1/2"	710704	8	
43	Adapter extension 1/2" Steel	1050649	2	
44	Quick coupling 1/2"	790115	2	
45	Dust protection 1/2"	790121	2	
46	Sealing washer 3/4"	710706	4	
47	Adapter Bsp 3/4" male - male	710126	2	
48	Quick coupling 3/4"	790193	2	
49	Dust protection 3/4"	790120	2	
50	Plug 3/4"	711532	2	
51	Adapter extension 1/2"-1/2" Steel	1050650	2	
52	Coupling ECO QSD 1/2" female	1034211	2	Loctite 2700 (POS.53 included)
53	O-ring 17.17x1.78	710913	2	Separate seal kit: 7000046



QSM

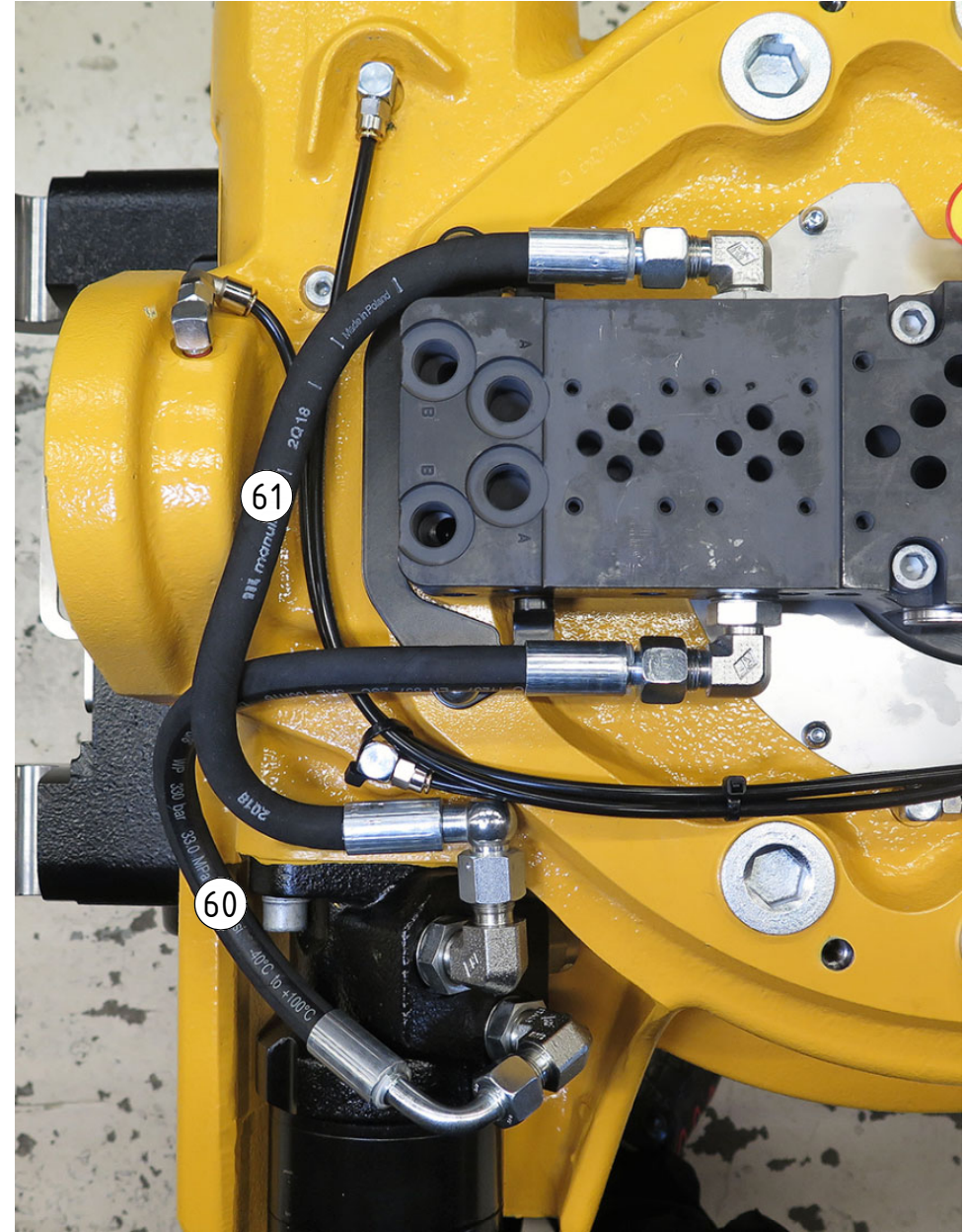
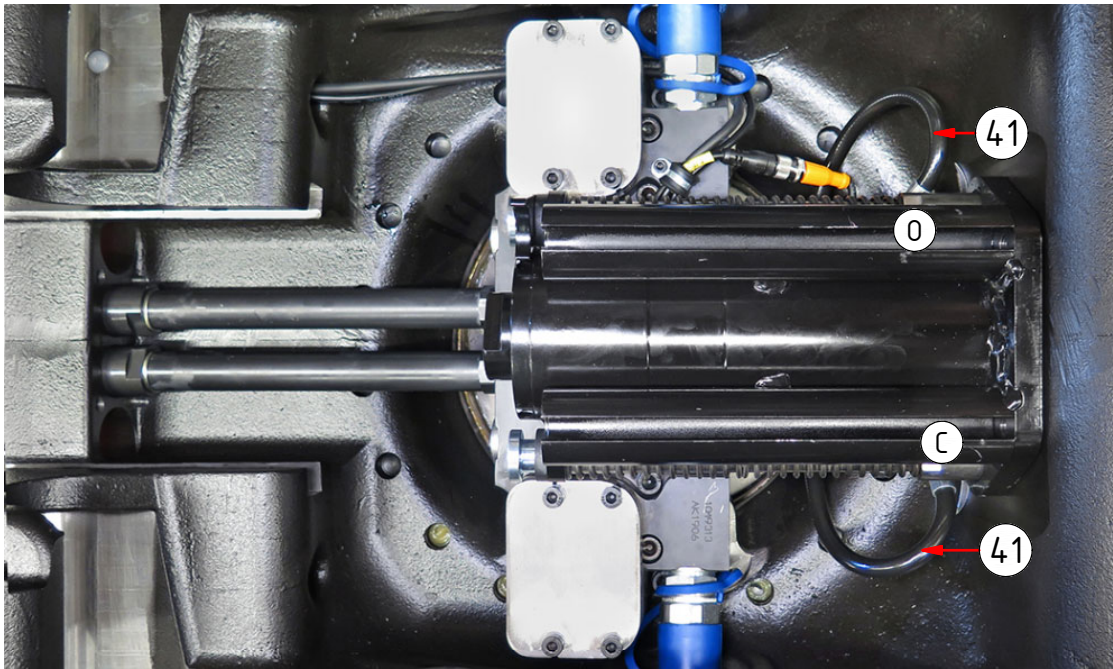
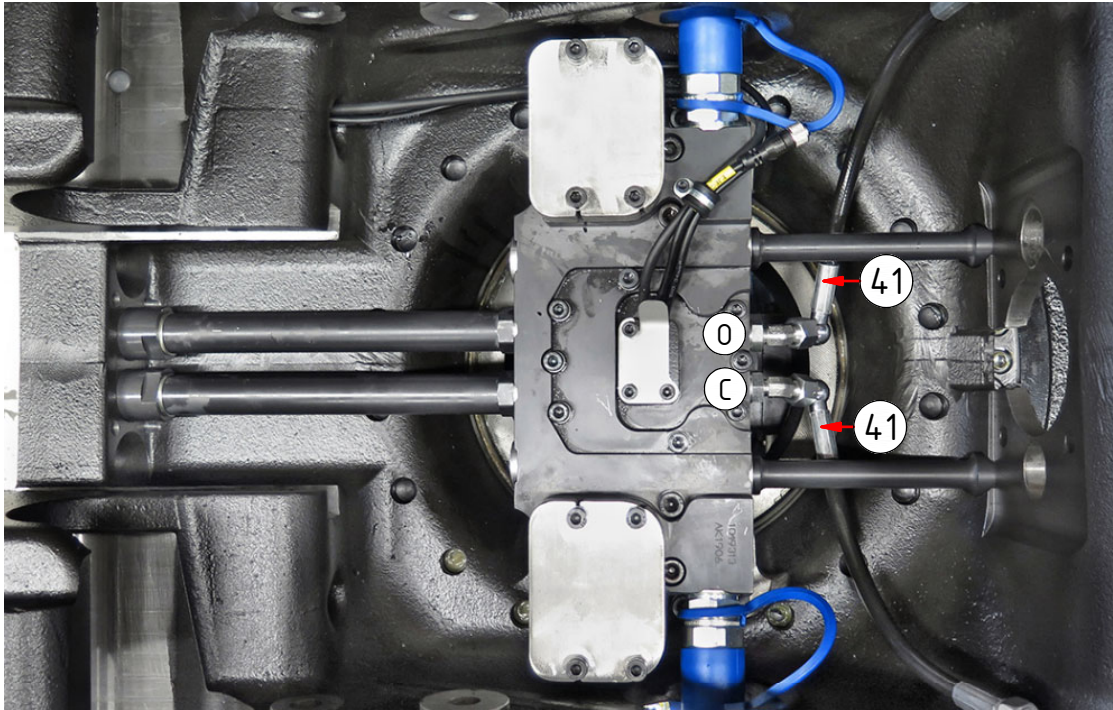


POS	DESCRIPTION	PART	QTY	COMMENTS
40	Adapter 402-04-04 45° (1/4")	7000104	4	
41	Hose Lock	742649	2	
42	Sealing washer 1/2"	710704	8	
43	Adapter extension 1/2" Steel	1050649	2	
44	Quick coupling 1/2"	790115	2	
45	Dust protection 1/2"	790121	2	
46	Sealing washer 3/4"	710706	4	
47	Adapter Bsp 3/4" male - male	710126	2	
48	Quick coupling 3/4"	790193	2	
49	Dust protection 3/4"	790120	2	
50	Plug 3/4"	711532	2	
51	Adapter extension 1/2"-1/2" Steel	1050650	2	
55	QSM70 pipe GRD bolted	1050422	2	Loctite 2700 against POS.51
56	Washer GBR04 1/4	710702	2	
57	Quick Coupler 1/4" Male 2520	790111	2	
58	Dust Protection 1/4"	790119	2	



EC226 - QSM70

POS	DESCRIPTION	PART	QTY	COMMENTS
41	Hose Lock	742649	2	
60	Hose hydraulic motor A	7000957	1	
61	Hose hydraulic motor B	7000958	1	



Dashed lines for overview, mounts on other pages/assemblies. indicates instruction. represents hose.