

COVERSHEET

Planned document changes:

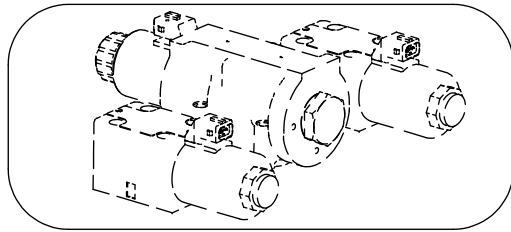
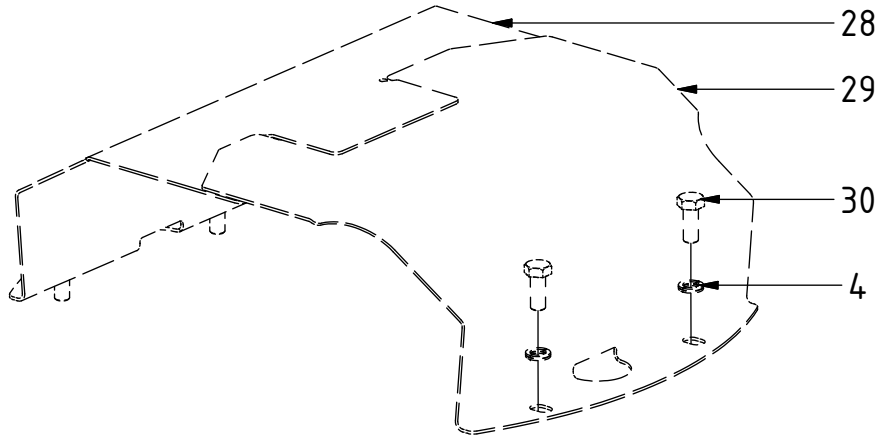
Briefly:

No planned changes.

Document changes:

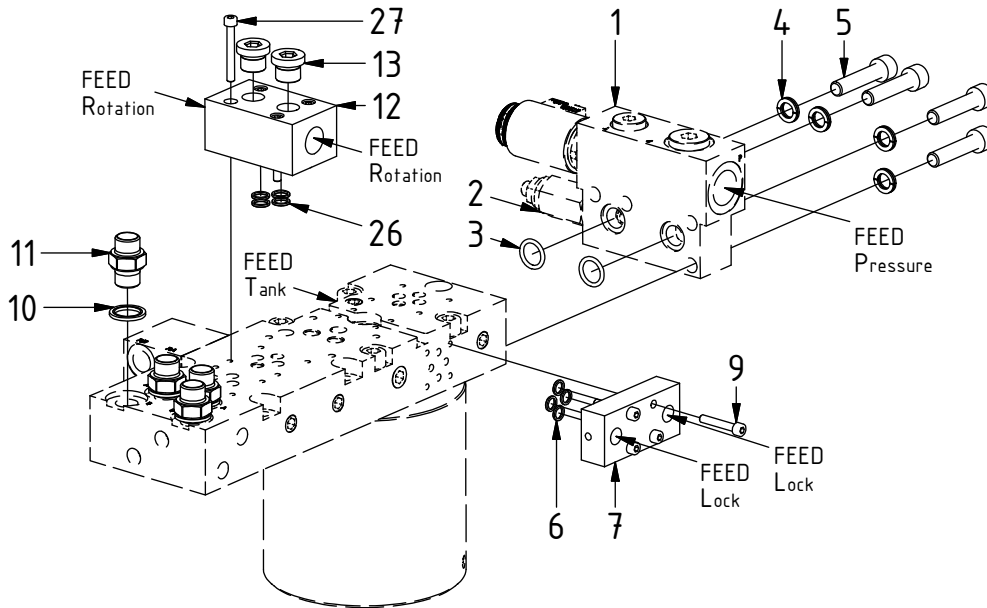
Date:	Change:	Rev. after change:
2020-11-20	Positions and partslist corrected.	B
2019-09-27	Feed hoses added. Adapter for Rotation corrected.	A
2019-05-03	New instruction.	-

EC233 ECHF - ss9SQ Hoses



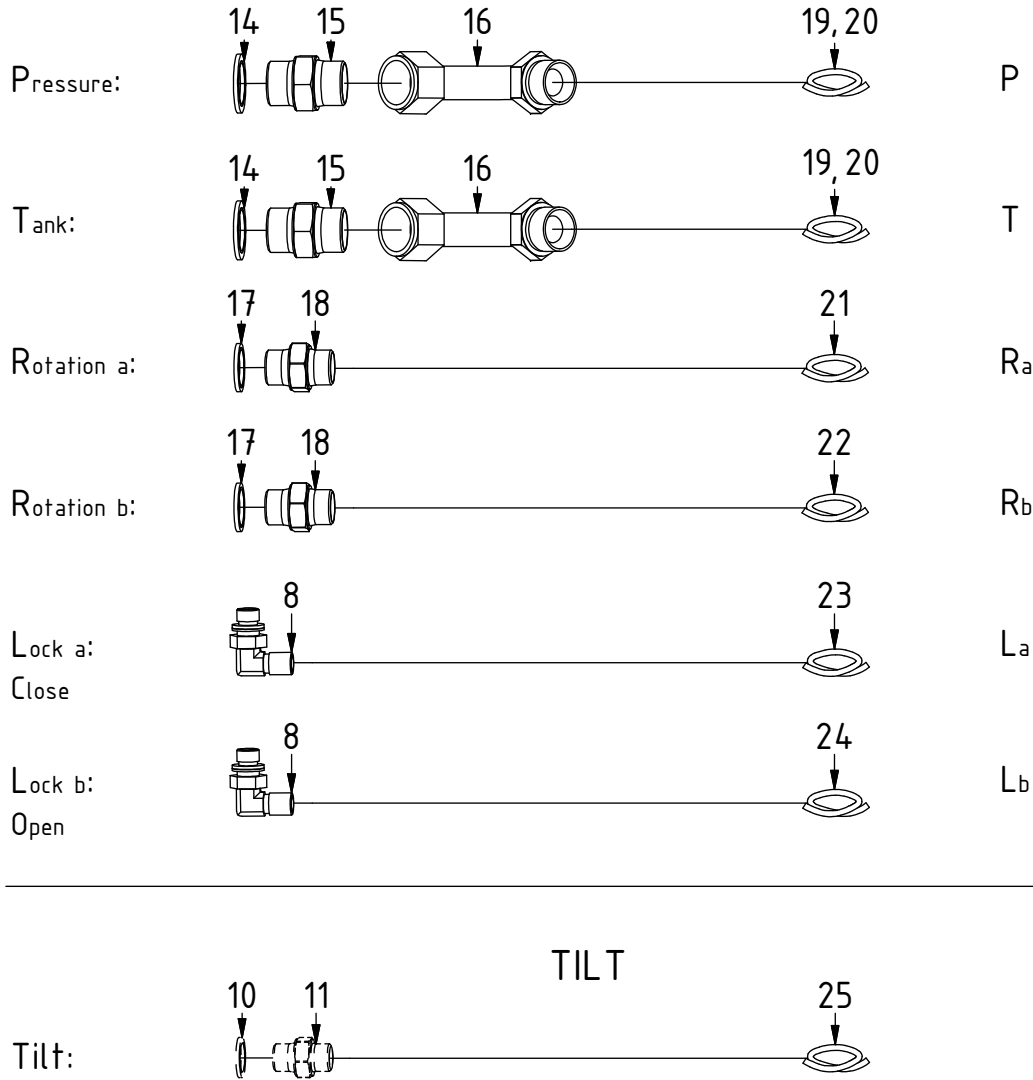
See instruction,
Std. Valves & cables

POS	DESCRIPTION	PART	QTY	COMMENTS
1	Connection block P reducer +Dump	1027707	1	(Dump & POS.2 included)
2	Dual relief valve 1CLR100	730287	1	
3	O-ring 15,54x2,62	712423	2	
4	Washer NL 10mm	611041	8	QTY: 4 part of make up
5	MC6S M10x45 12.9	610589	4	
6	O-ring 7,65x1,78	710960	4	
7	Connection block SQ	1009586	1	Mount before adapters and feed hoses
9	MC6S M5x30 12.9	610403	4	
10	Washer GBR06 3/8	710703	4	Torque: 9,7Nm
11	Adapter 136-06-06 (3/8")	710106	4	
12	Connection block 1/2"	405670	1	
13	Plug 70125-06 (3/8")	711504	2	
26	O-ring 9,25x1,78	710901	4	
27	MC6S M5x40 12.9	610405	4	
28	Valve cover EC233 lip	1040946	1	
29	Valve cover EC233	1040947	1	
30	Screw M6S M10x25	610142	4	



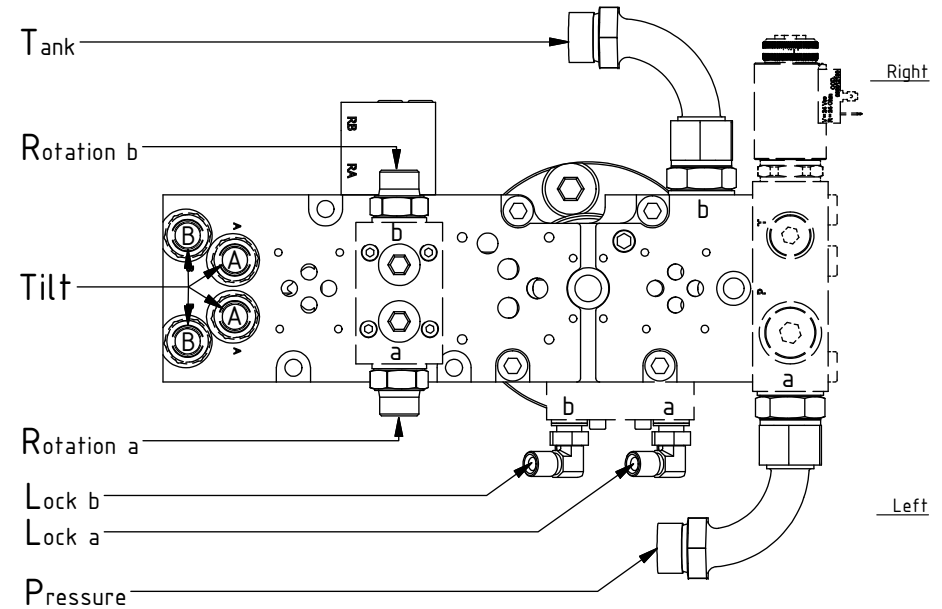
EC233 ECHF - ss9SQ Hoses

3/4" (Std)
FEED



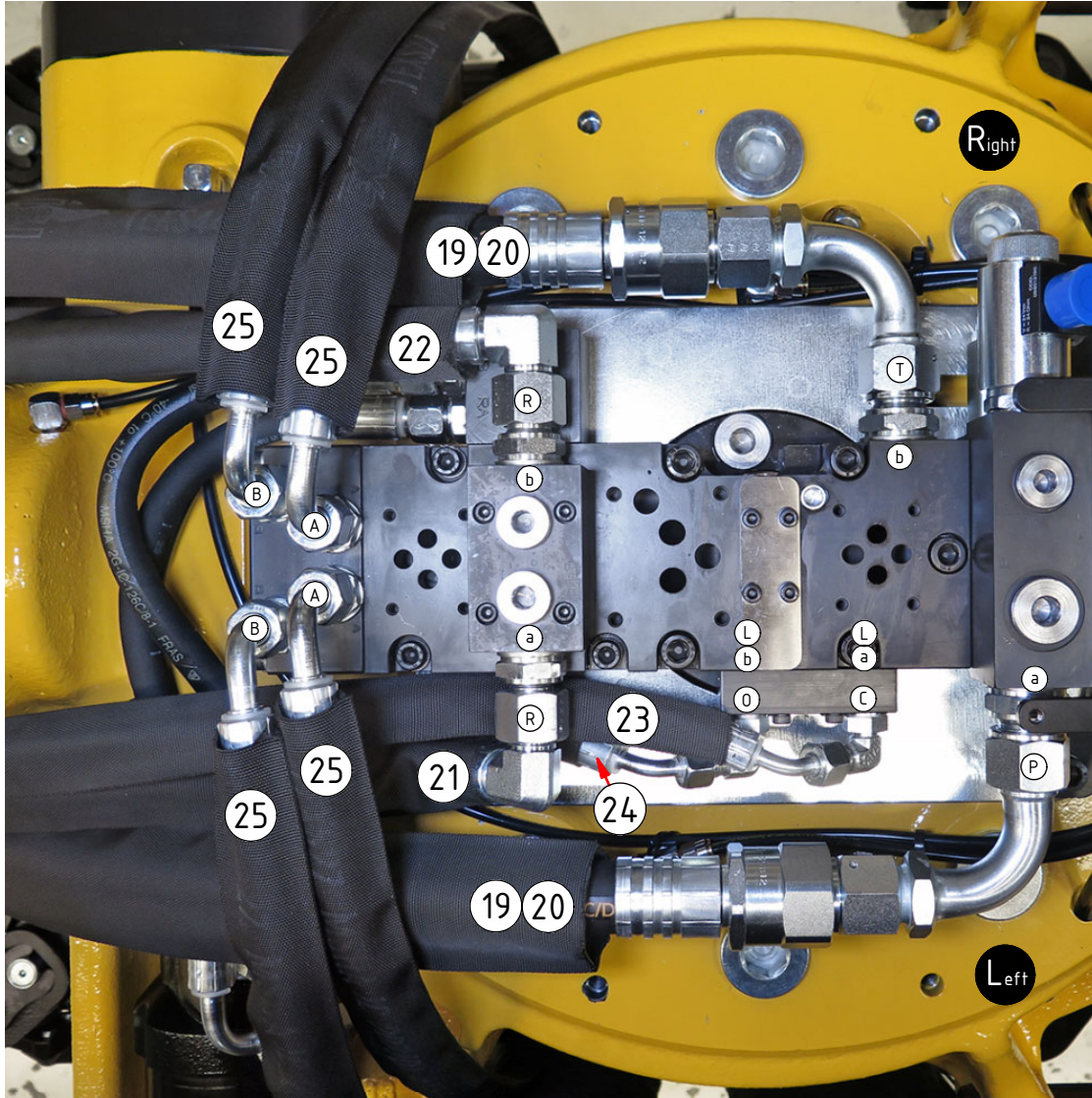
POS	DESCRIPTION	PART	QTY	COMMENTS
8	Adapter 401-04-04 90° (1/4")	710151	2	
10	Washer GBR06 3/8	710703	4	Torque: 9,7Nm
11	Adapter 136-06-06 (3/8")	710106	4	
14	Washer GBR12 3/4	710706	2	
15	Adapter 136-12-12 (3/4")	710126	2	
16	Adapter 488-12-12 90° (3/4")	7000059	2	
17	Washer GBR08 1/2	710704	2	
18	Adapter 136-08-08 (1/2")	710108	2	
19	Hose Feed - QS70, QS80, S1, S2, S3, NTP30	7000454	2	
20	Hose Feed - UNI	7000655	2	
21	Hose Rotation a	7000649	1	
22	Hose Rotation b	7000663	1	
23	Hose Lock a	7000942	1	
24	Hose Lock b	7000770	1	
25	Hose Tilt	7000452	4	

POS in order of assembly



EC233 ECHF - ss9SQ Hoses

3/4" (Std)



POS	DESCRIPTION	PART	QTY	COMMENTS
19	Hose Feed - QS70, QS80, S1, S2, S3, NTP30	7000454	2	
20	Hose Feed - UNI	7000655	2	
21	Hose Rotation a	7000649	1	
22	Hose Rotation b	7000663	1	
23	Hose Lock a	7000942	1	
24	Hose Lock b	7000770	1	
25	Hose Tilt	7000452	4	

POS in order of assembly