

## COVERSHEET

## Planned document changes:

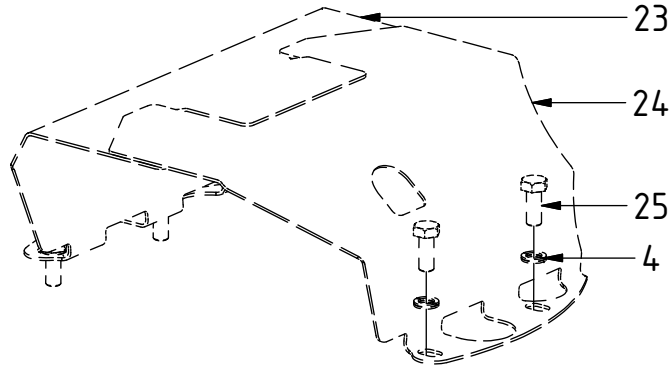
**Briefly:**

New feed hoses for EC-Oil. P: 7001637, T: 7001638.  
Add drain hose, connects to block with 3 hy. for EC-Oil or to terminal without EC-Oil.  
Add option XD, only compatible with 1/2" (Std).  
Add Torque: 120Nm to POS.7

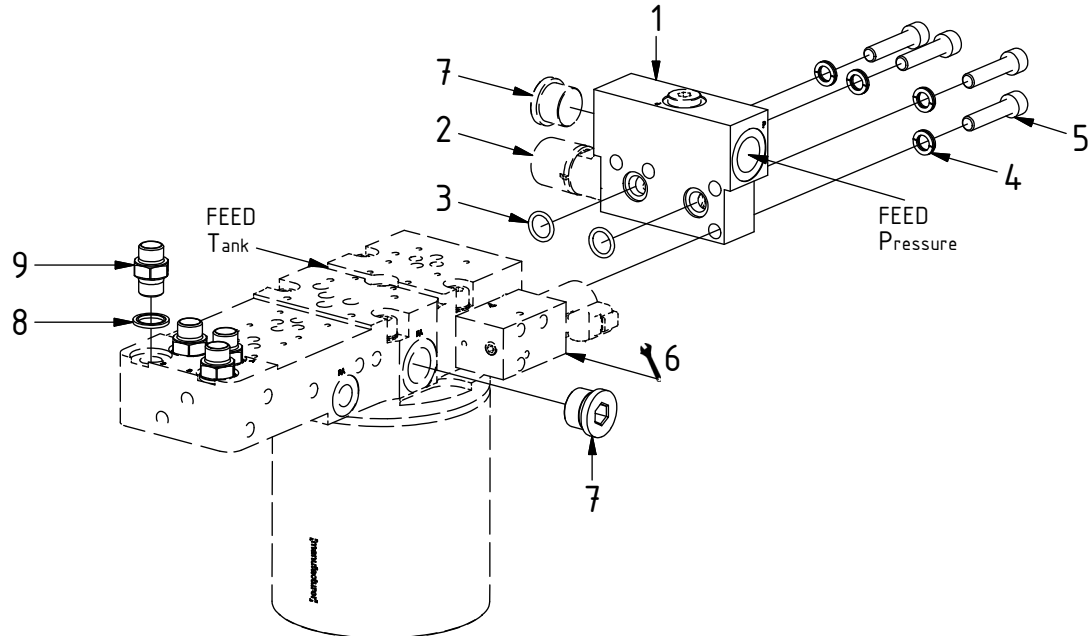
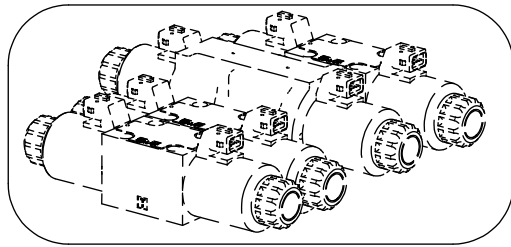
## Document changes:

<b>Date:</b>	<b>Change:</b>	<b>Rev. after change:</b>
2021-06-23	Layout/irrelevant.	C
2020-09-18	EC-Oil feed hoses replaced.	B
2019-05-28	Option 3/4" added.	A
2019-04-04	New instruction.	-

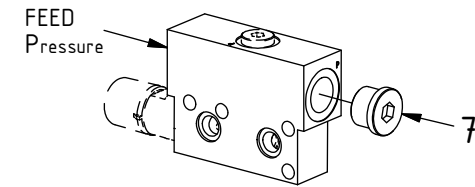
# EC219 QSM - ss10 Hoses



POS	DESCRIPTION	PART	QTY	COMMENTS
1	Connection block P reducer Compl.	1027363	1	(POS.2, 7 included)
2	Pressure reduction valve VRN-10	730326	1	
3	O-ring 15,54x2,62	712423	2	
4	Washer NL 10mm	611041	8	QTY: 4 part of make up
5	MC6S M10x45 12.9	610589	4	
6	Mount before adapters and feed hoses			See "Std Valves & cables"
7	Plugg VSTIR34ED	711532	3	
8	Washer GBR06 3/8	710703	4	
9	Adapter 136-06-06 (3/8")	710106	4	
23	Protective cover EC219 ECHF right	1027796	1	
24	Protective cover EC219 ECHF left	1027795	1	
25	Hex Head Screw 10x25	610142	4	



**Top EC-Oil**  
(Not for 2Bl.Feed)

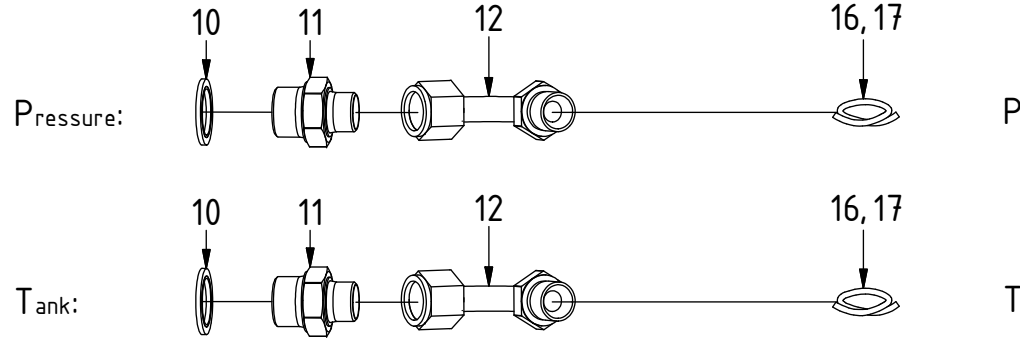


# EC219 QSM - ss10 Hoses

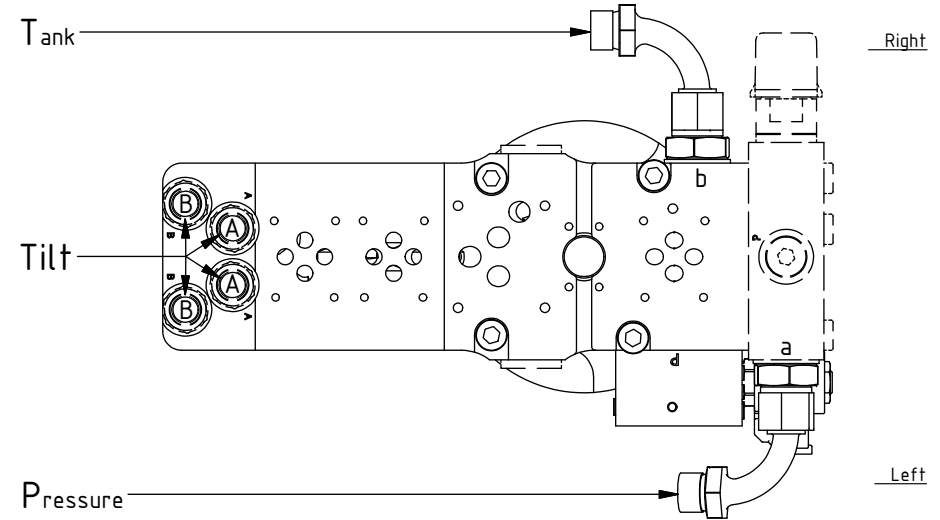
POS in order of assembly

1/2" (Std)  
FEED

POS	DESCRIPTION	PART	QTY	COMMENTS
8	Washer GBR06 3/8	710703	4	
9	Adapter 136-06-06 (3/8")	710106	4	
10	Washer GBR12 3/4	710706	6	
11	Adapter 135-08-12 (1/2"-3/4")	710109	2	
12	Adapter 488-08-08 90° (1/2")	712209	2	
16	Hose Feed 1/2" - QS60, UNI, T620V	742620	2	QTY: 1 for Feed Right/Left
17	Hose Feed 1/2" Right/Left - QS60, UNI	742657	1	Feed Right: Mount on left side Feed Left: Mount on right side
22	Hose Tilt	7000027	4	



TILT

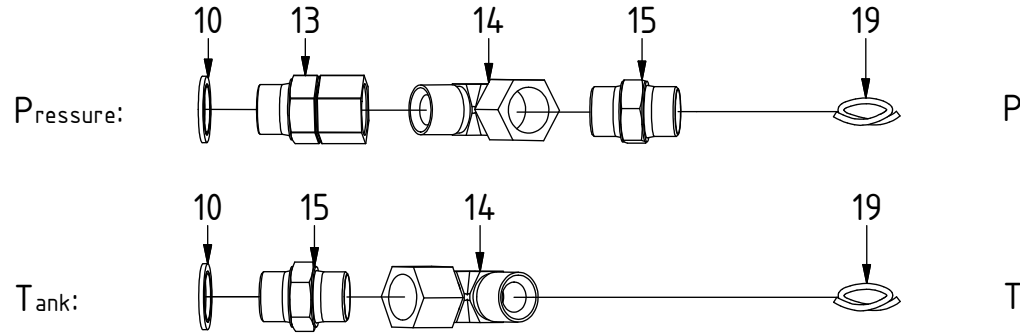


# EC219 QSM - ss10 Hoses

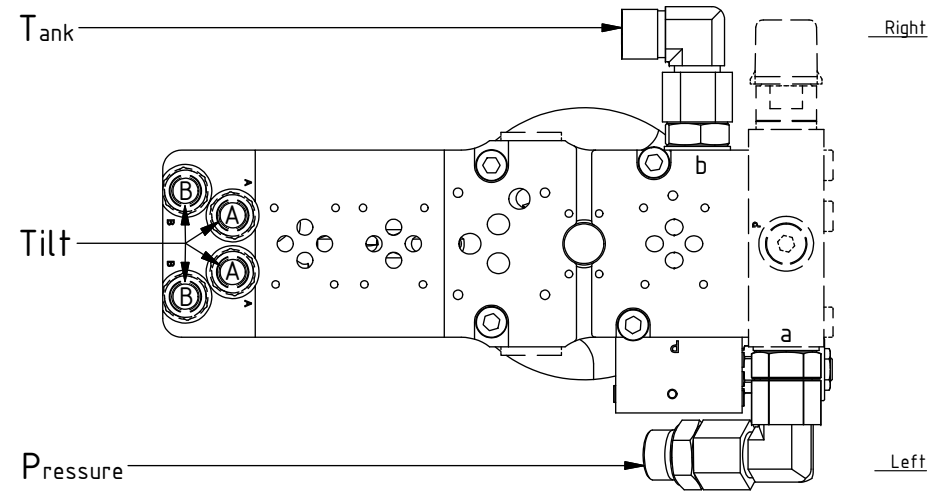
POS in order of assembly

POS	DESCRIPTION	PART	QTY	COMMENTS
8	Washer GBR06 3/8	710703	4	
9	Adapter 136-06-06 (3/8")	710106	4	
13	Adapter 703-12-12 (3/4")	710218	1	
14	Adapter 407-12-12 90° (3/4")	7000010	2	
15	Adapter 3/4" male - male	710126	2	
18	For Feed Right/Left 3/4"			Additional hose, see "Top part"
19	Hose Feed 3/4"	7000028	2	
22	Hose Tilt	7000027	4	

3/4"  
FEED



TILT

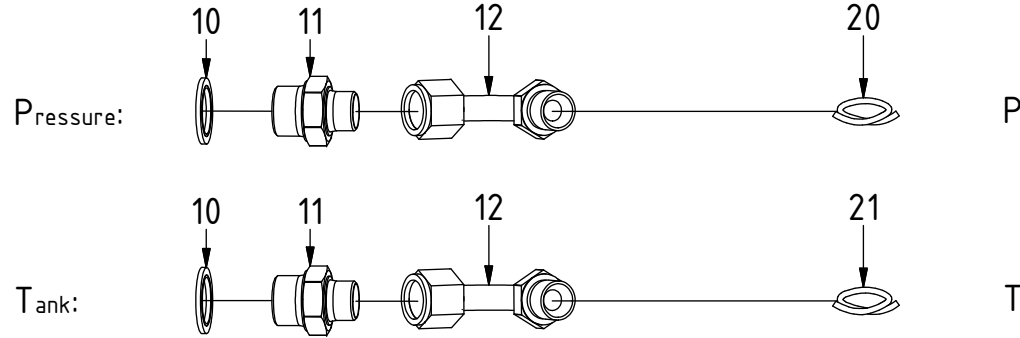


# EC219 QSM - ss10 Hoses

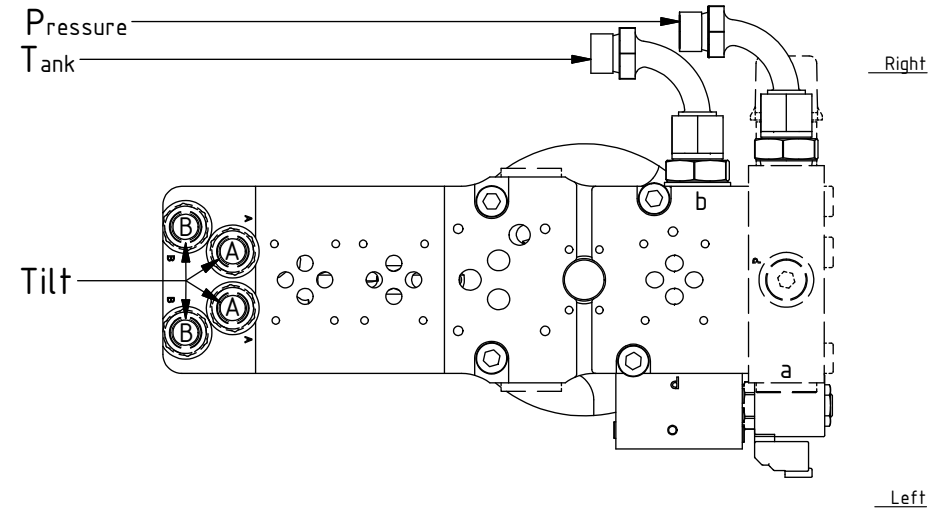
POS in order of assembly

POS	DESCRIPTION	PART	QTY	COMMENTS
8	Washer GBR06 3/8	710703	4	
9	Adapter 136-06-06 (3/8")	710106	4	
10	Washer GBR12 3/4	710706	6	
11	Adapter 135-08-12 (1/2"-3/4")	710109	2	
12	Adapter 488-08-08 90° (1/2")	712209	2	
20	Hose Feed EC-Oil P	7001301	1	
21	Hose Feed EC-Oil T	7001302	1	
22	Hose Tilt	7000027	4	

## Top EC-Oil FEED



## TILT

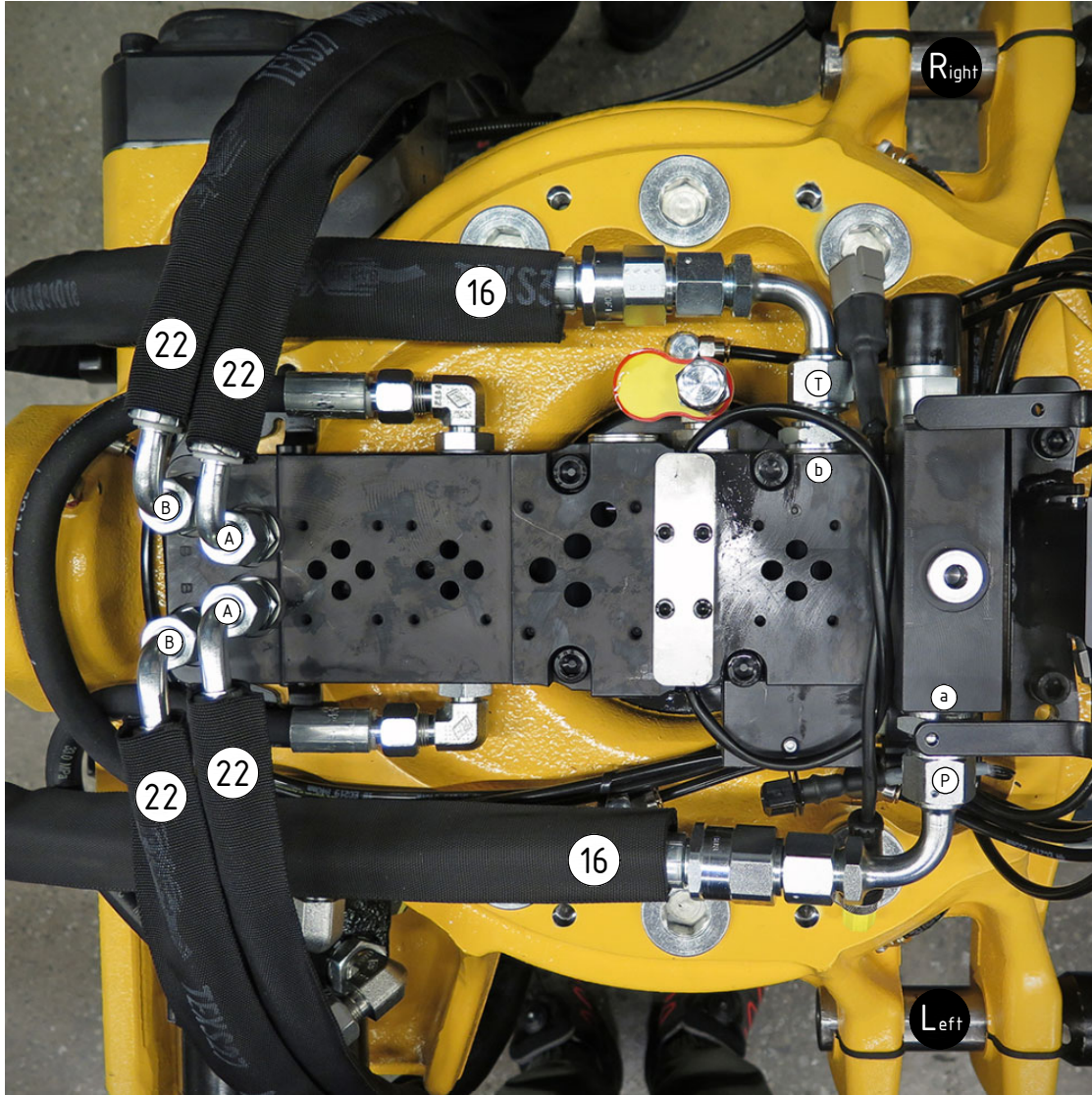


# EC219 QSM - ss10 Hoses

1/2" (Std)

POS	DESCRIPTION	PART	QTY	COMMENTS
16	Hose Feed 1/2" - QS60, UNI, T620V	742620	2	QTY: 1 for Feed Right/Left
17	Hose Feed 1/2" Right/Left - QS60, UNI	742657	1	Feed Right: Mount on left side Feed Left: Mount on right side
22	Hose Tilt	7000027	4	

POS in order of assembly



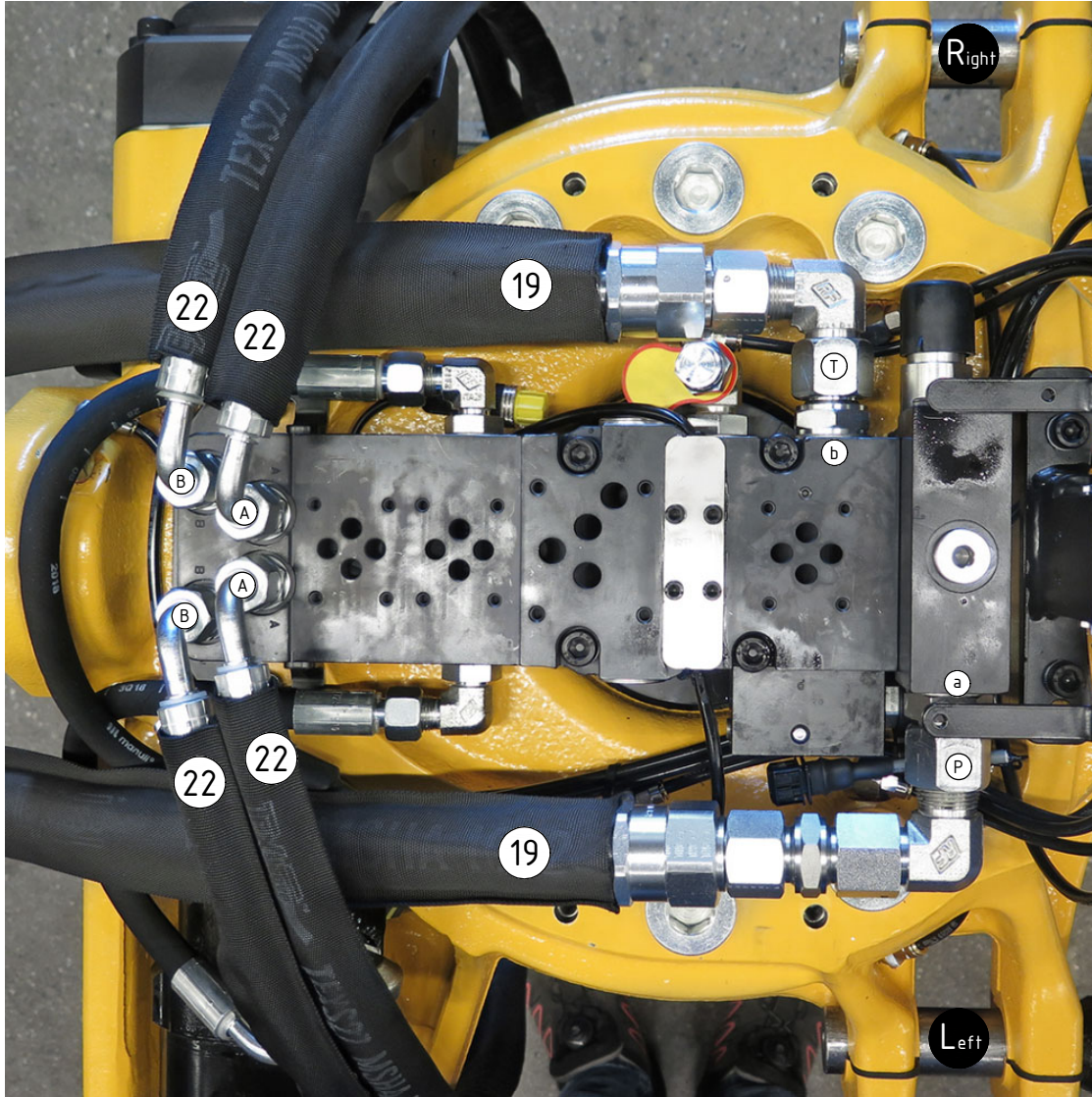


# EC219 QSM - ss10 Hoses

3/4"

POS	DESCRIPTION	PART	QTY	COMMENTS
18	For Feed Right/Left 3/4"			Additional hose, see "Top part"
19	Hose Feed 3/4"	7000028	2	
22	Hose Tilt	7000027	4	

POS in order of assembly

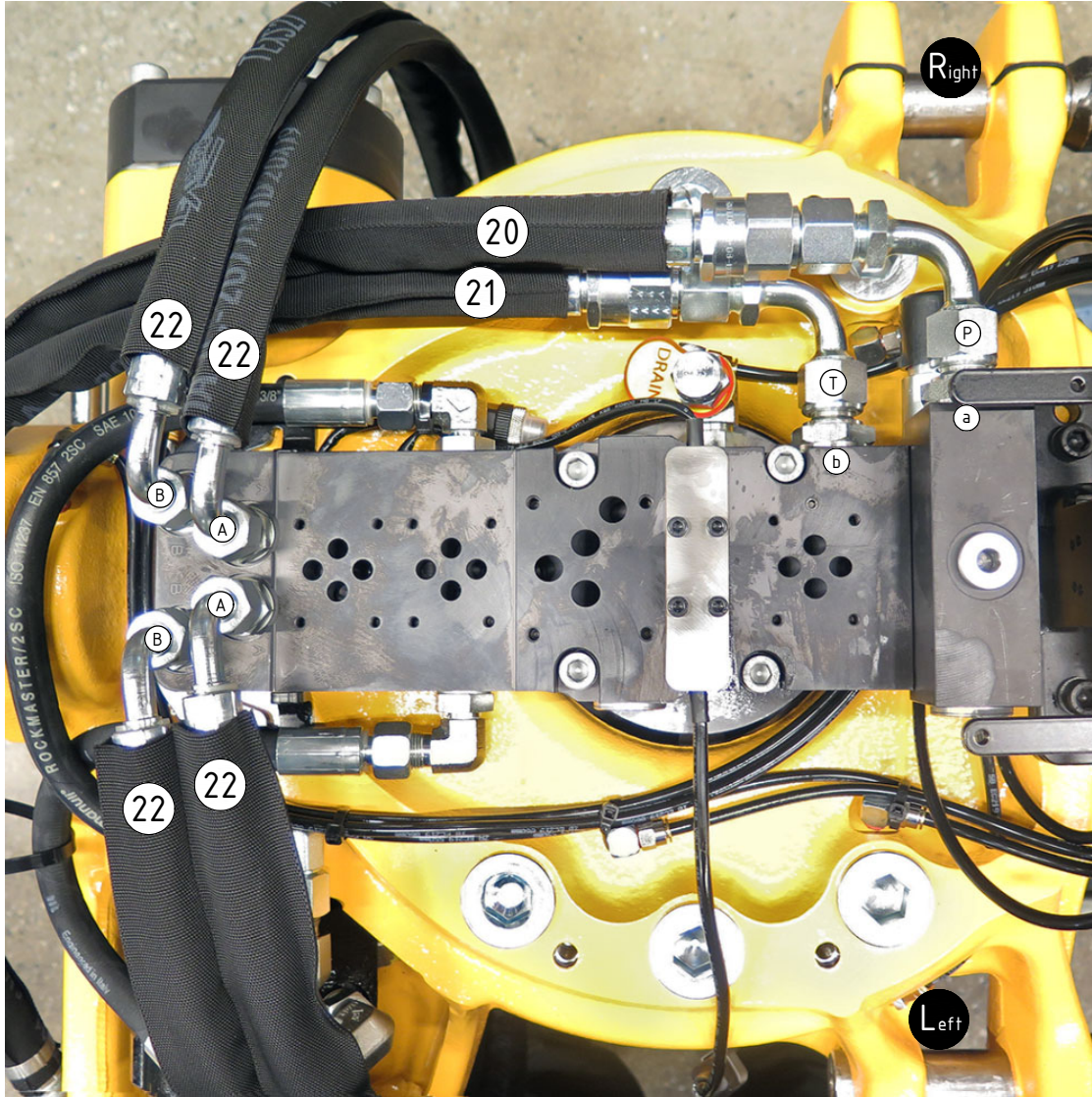


# EC219 QSM - ss10 Hoses

Top EC-Oil

POS	DESCRIPTION	PART	QTY	COMMENTS
20	Hose Feed EC-Oil P	7001301	1	
21	Hose Feed EC-Oil T	7001302	1	
22	Hose Tilt	7000027	4	

POS in order of assembly





# EC219 QSM - ss10 Hoses

## Related spare parts

POS	DESCRIPTION	PART	QTY	COMMENTS
20	Hose Feed EC-Oil P	7001301	1	
21	Hose Feed EC-Oil T	7001302	1	
26	Hose Feed EC-Oil Short	742653	1	Replaced by POS.20 from 2020-01
27	Hose Feed EC-Oil Long	7000375	1	Replaced by POS.21 from 2020-01

POS in order of assembly

