

SG12  
COVERSHEET

## Planned document changes:

**Briefly:**

---

No planned changes.

## Document changes:

<b>Date:</b>	<b>Change:</b>	<b>Rev. after change:</b>
2024-03-19	EC-Oil added.	D
2022-02-01	Side plate kits added.	C
2021-03-16	Expander torques added.	B
2020-02-04	Photos added.	A
2019-03-19	New document.	-

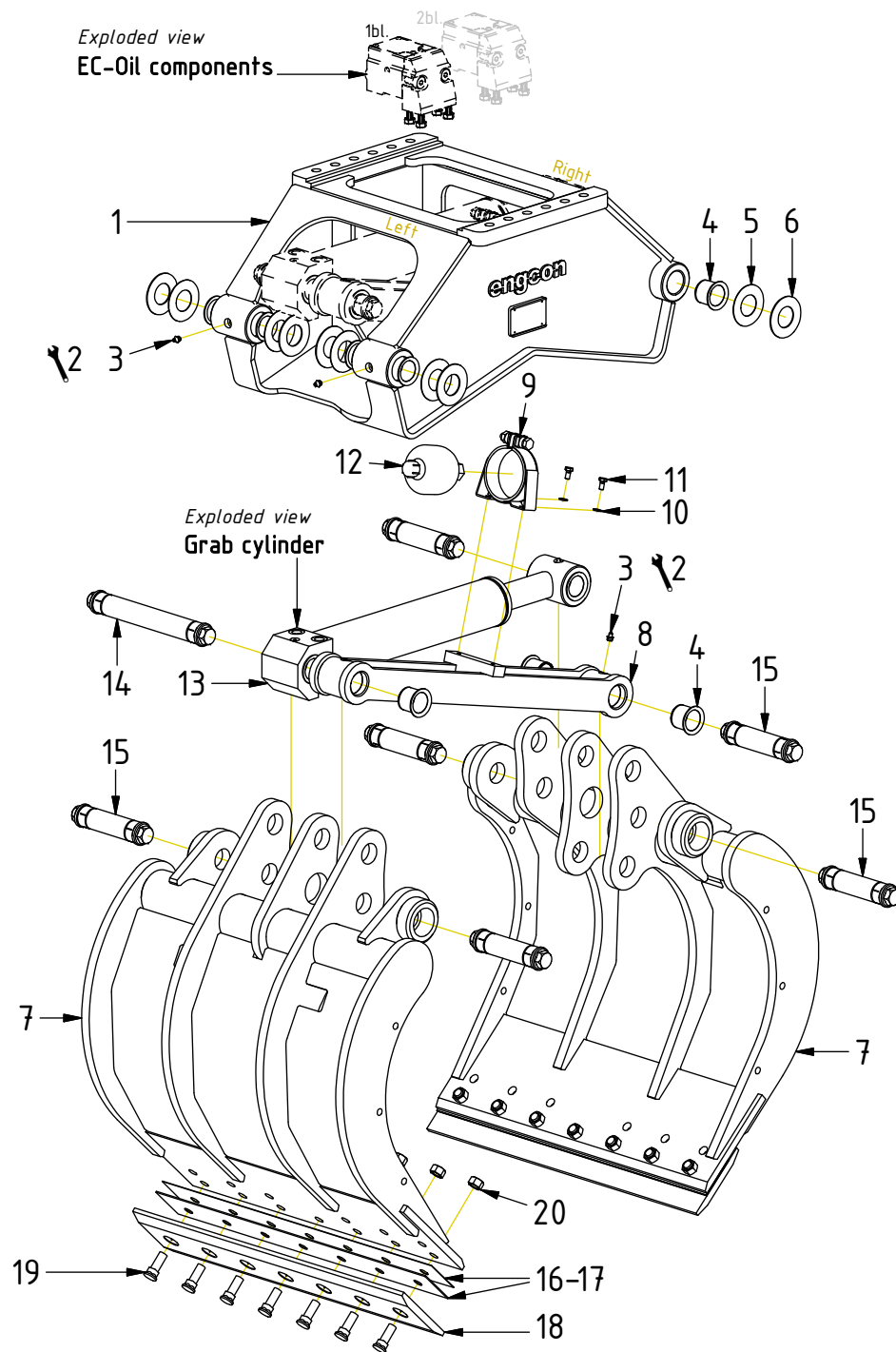
*Readers note:*

Indicates instruction.



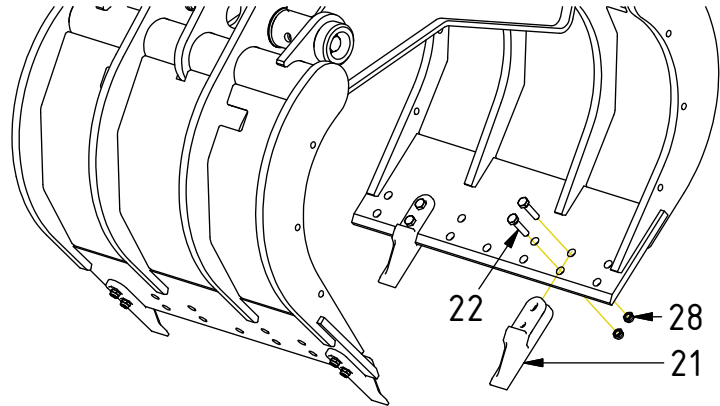
Represents Hose.

Dashed lines for overview, mounts  
on other pages/assemblies.

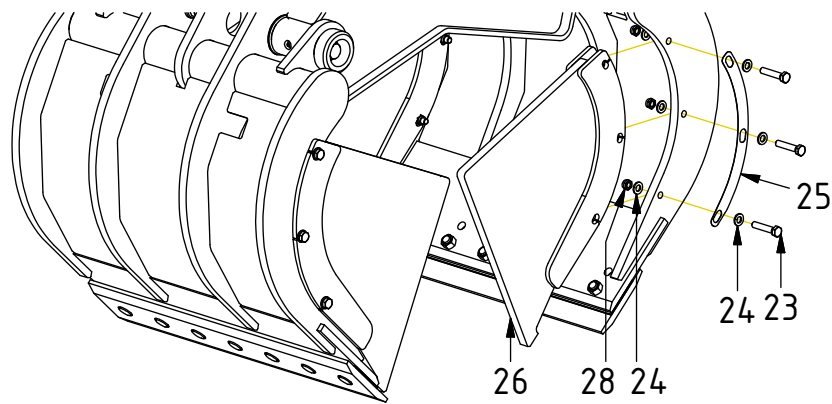


POS	DESCRIPTION	PART	QTY	COMMENTS
1	Main frame SG12	1053590	1	
2	Fill lubrication points with grease			
3	Grease nipple H1 M10x1	790166	6	
4	Bushing 40/44/55x40	630404	4	
5	Shim 1mm	1024930	8	Use if required
6	Shim 50x40x2	1024931	8	Use if required
7	Grab arm SG12	1053591	2	
8	Link SG12	1001031	1	
9	Clamp Bracket	790103	1	
10	Washer BRB 8,4x16x1,6 200 HV FZB	611005	2	
11	Screw M6S M8x16 8,8 FZB	610122	2	
12	Accumulator	790102	1	
13	Cylinder SG12	1028607	1	
14	Expander axle Ø40 L268	402904	1	Torque: 350Nm
15	Expander axle Ø40 L144	402903	6	Torque: 350Nm
16	Shim Cutting edge 1mm	1024929	2	Use if required
17	Shim Cutting edge 2mm	1026918	2	Use if required
18	Cutting edge	302094	2	
19	Cutting steel bolt UNC 5/8"x52 12.9	660406	14	
20	Nut UNC 5/8"	660407	14	

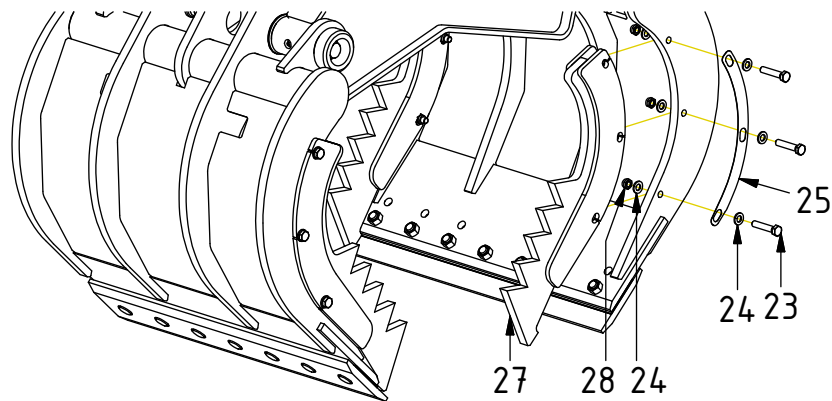
With teeth:



With closed sideplates:



With burned teeth:

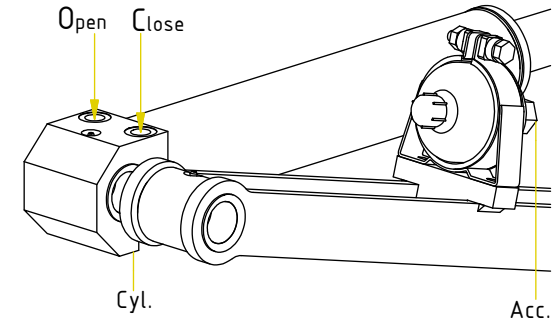
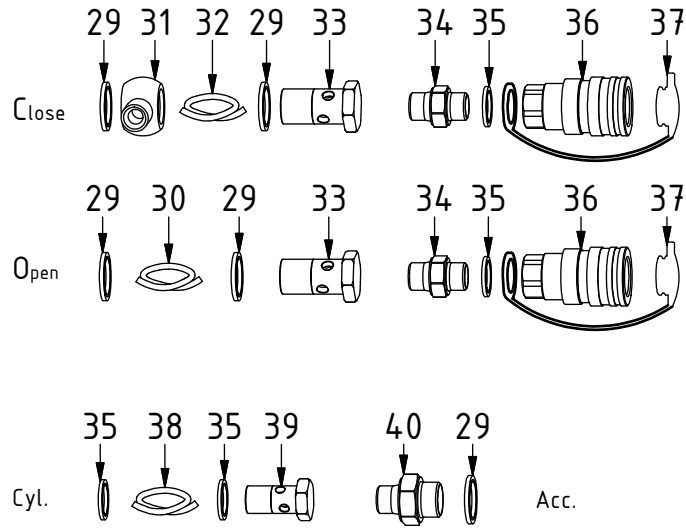


POS	DESCRIPTION	PART	QTY	COMMENTS
21	Tooth	660102	4	
22	Screw M6S M12x50 10.9 untreated	610168	8	
23	Screw M6S M12x60 8,8 FZB	610170	12	
24	Washer BRB 13x24x2,5 200 HV FZB	611007	24	
25	SG12 Sideplate spacer	1052615	4	
26	SG12 Side plate	1003581	4	
27	SG12 Burned teeth	1053671	4	
28	Lock Nut M6M M12x1,75 8,8 FZB	610924	12	QTY: 8 for teeth
43	Side plate kit-SG12	1055756	1	(POS.23-26, 28 incl.)
44	Side plate kit burned Teeth-SG12	1056288	1	(POS.23-25, 27-28 incl.)

Without EC-Oil

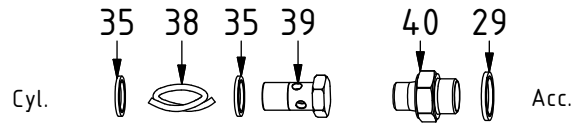
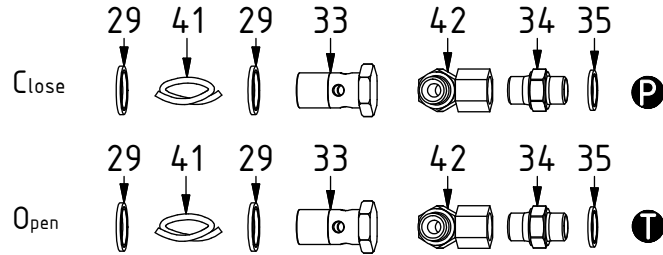
POS	DESCRIPTION	PART	QTY	COMMENTS
29	Washer GBR08 1/2	710704	5	QTY: 7 for ECO60 W
30	Hose Open	740915	1	
31	Adapter 830-08-06 (1/2"-3/8")	710193	1	
32	Hose Close	740916	1	
33	Banjo bolt 4451-08 (1/2")	710274	2	
34	Adapter 136-06-06 (3/8")	710106	2	
35	Washer GBR06 3/8	710703	4	QTY: 2 for ECO60 W
36	Quick coupler 3/8" 3810	790112	2	
37	Dust protection 3/8" female	790117	2	
38	Hose cyl. acc.	740914	1	
39	Banjo bolt 4451-06 (3/8")	710272	1	
40	Adapter 135-06-08	710122	1	QTY: 3 for ECO60 W

POS in order of assembly

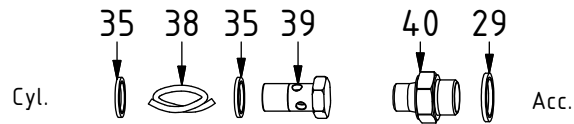
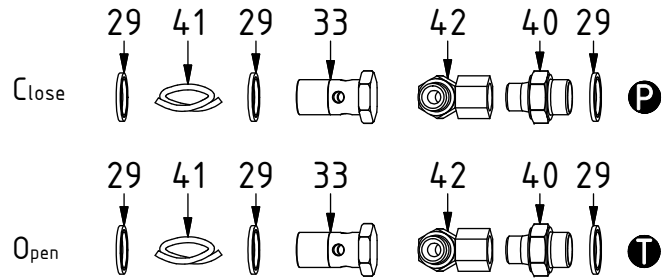


## EC-Oil

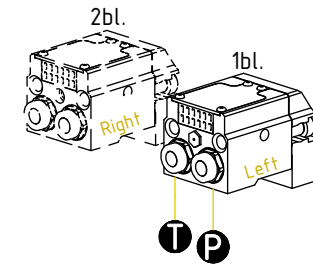
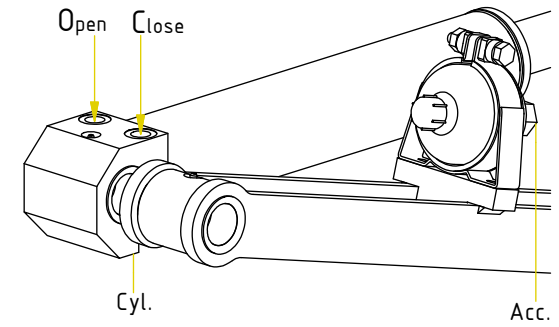
### ECO45/50 W:



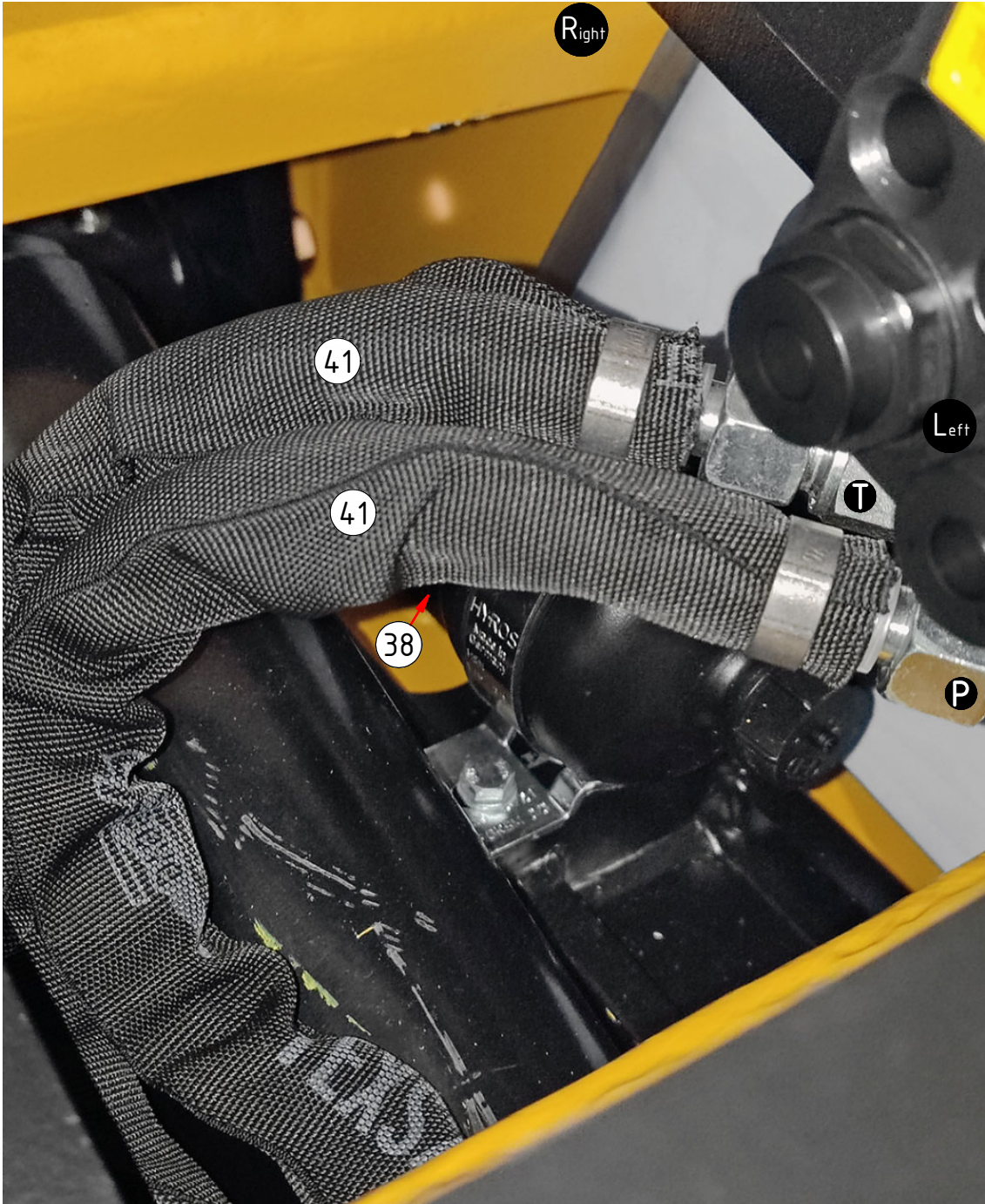
### ECO60 W:



POS	DESCRIPTION	PART	QTY	COMMENTS
29	Washer GBR08 1/2	710704	5	QTY: 7 for ECO60 W
33	Banjo bolt 4451-08 (1/2")	710274	2	
34	Adapter 136-06-06 (3/8")	710106	2	
35	Washer GBR06 3/8	710703	4	QTY: 2 for ECO60 W
38	Hose cyl. acc.	740914	1	
39	Banjo bolt 4451-06 (3/8")	710272	1	
40	Adapter 135-06-08	710122	1	QTY: 3 for ECO60 W
41	Hose EC-Oil	740702	2	
42	Adapter 090-06-06 90° (3/8")	710216	2	



EC-Oil:



POS	DESCRIPTION	PART	QTY	COMMENTS
30	Hose Open	740915	1	
32	Hose Close	740916	1	
38	Hose cyl. acc.	740914	1	
41	Hose EC-Oil	740702	2	

POS in order of assembly

Without ECO:

