

COVERSHEET

Planned document changes:

Briefly:

 No planned changes.

Document changes:

Date:	Change:	Rev. after change:
2024-05-27	Valve block screws must be tightened in cross pattern. Included plug from valve block added.	N
2022-03-08	Details for lock hoses updated.	M
2021-03-10	Quick hitch replaced.	L
2020-06-29	Screw quality updated.	K
2020-03-06	Visual error corrected.	J
2020-12-18	Solution for Extra 2 (Q) on QSM updated.	I
2020-02-21	Silicone to slip ring added.	H
2019-12-20	QSM-Q couplings replaced. Spart parts added.	G
2019-10-08	Screw quality updated.	F
2019-09-12	Photo for motor hoses added.	E
2019-08-28	Lock hose updated.	D
2019-05-06	Plate between swivel and valve block added. Screws for connection block updated.	C
2019-04-05	Layout/irrelevant.	B
2019-03-28	ALU parts updated to steel.	A
2018-12-19	New document.	-

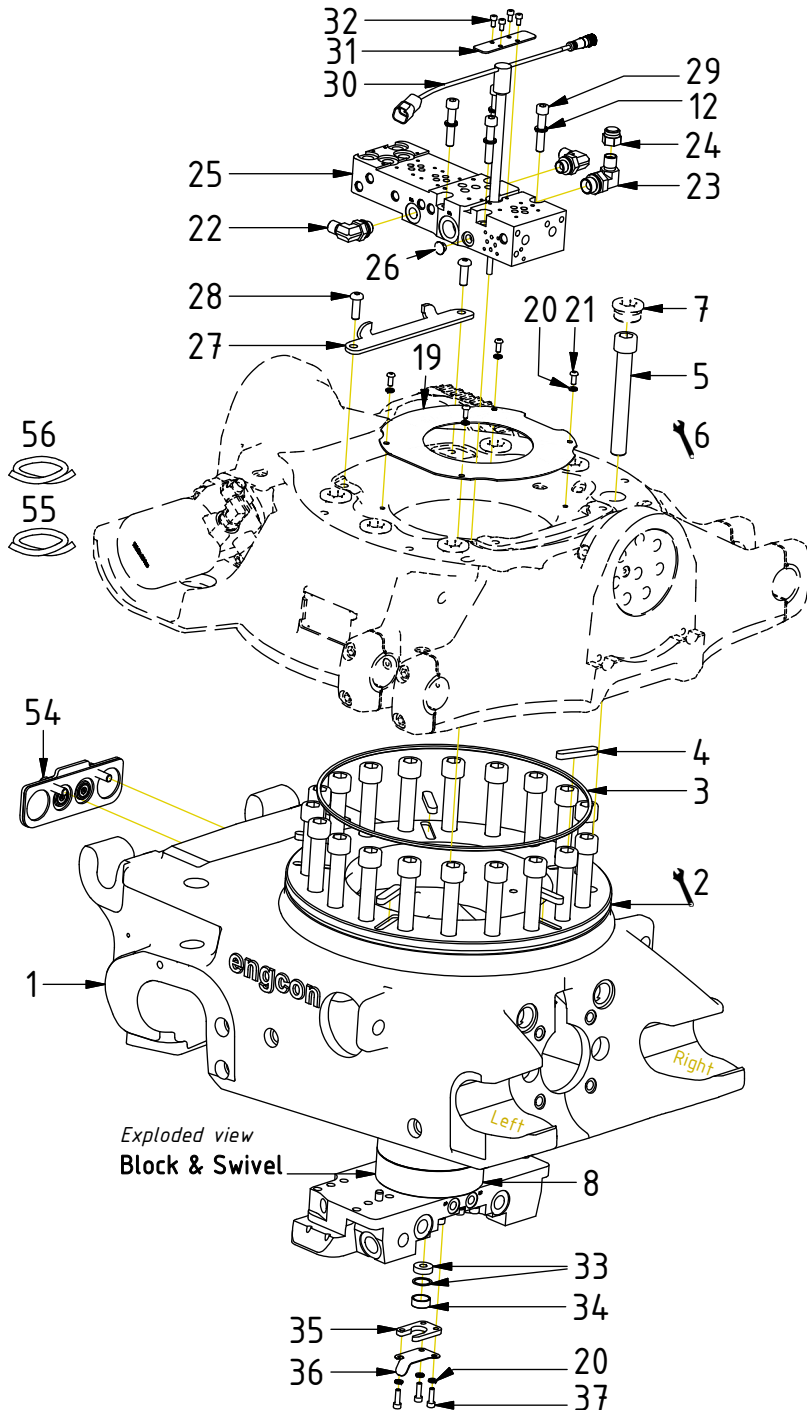
Readers note:

Indicates instruction.



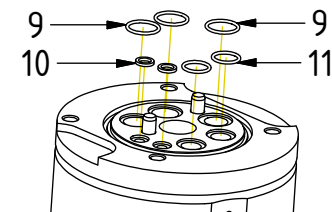
Represents Hose.

Dashed lines for overview, mounts
on other pages/assemblies.

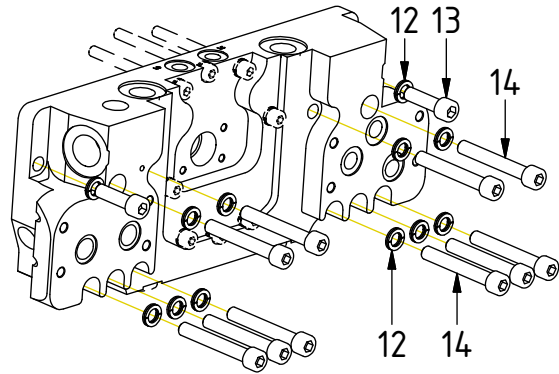


POS	DESCRIPTION	PART	QTY	COMMENTS
1	Quick hitch QSM70 V3 EC226	1061735	1	
2	Grease the ring			
3	O-ring 359,3x5,7	710924	1	
4	Feather Key	650103	5	
5	Screw MC6S M20x150 12.9	610562	20	Torque: 649Nm
6	Torque tighten rotator frame to hitch. Rotate to access all holes			
7	Pipe plug M36x2	650408	6	Part of rotator frame
8	Connect. block & swivel QSM Compl.	1050703	1	
9	O-ring 17.17x1.78	710977	3	
10	O-ring 7,66x1,68 square	7000579	2	
11	O-ring 14x1,78	710975	2	
12	Washer NL 10mm	611041	16	
19	Plate swivel EC233 QSM	1052691	1	
20	Washer NL 6mm	611039	7	
21	Screw K6S M6x14 10.9 FZB	6000242	4	
22	Adapter 401-06-06 90° (3/8")	710152	2	Assemble before valve block
23	Adapter 401-06-08 90° (3/8"-1/2")	710157	1	Assemble before valve block
24	Protective Bonnet 155-06 (3/8")	711626	1	
25	Valve Block QSM	1049297	1	(POS.26 incl.)
26	Plastic plug KS 15 G 1/4"	7001983	1	
27	Swivel stop EC233	1048076	1	
28	Screw K6S M10x30 10.9 FZB	6000193	2	Loxeal 83-52
29	Screw MC6S M10x55 12.9 ECHF	612022	4	Torque: 79Nm Tighten in cross pattern
30	Slip ring QSM70 M12	1048340	1	Mount with marine silicone
31	Cover plate slip ring	1050384	1	
32	Screw MC6S M5x10 12.9	610594	4	
33	Rubber bushing	1046691	1	Use the outer ring. Washer down
34	Ring slip ring QSM	1046692	1	
35	Plate slip ring QSM	1046689	1	
36	Plate cable steering QSM	1046694	1	
37	Screw MC6S M6x20 8,8 FZB	610310	3	
54	Cover plate QSM70 magnet	1049358	1	
55	Hose hydraulic motor Short	7000903	1	
56	Hose hydraulic motor Long	7000451	1	

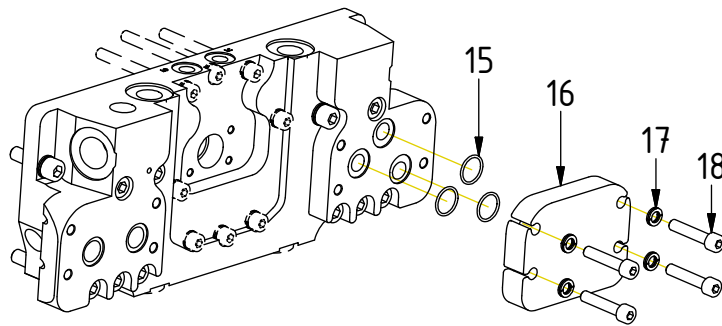
Between swivel & valve block:



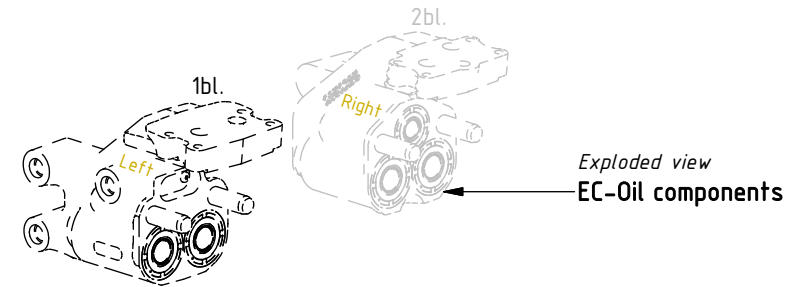
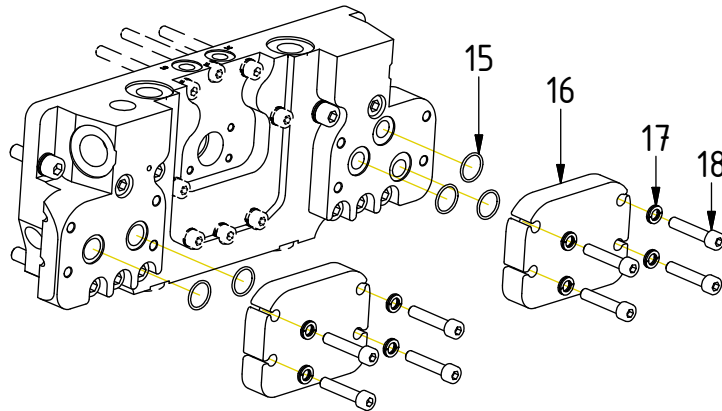
POS	DESCRIPTION	PART	QTY	COMMENTS
12	Washer NL 10mm	611041	16	
13	Screw MC6S M10x35 12.9	610494	2	
14	Screw MC6S M10x70 12.9 ZFSL	6000110	10	
15	O-ring 18.77x1.78 N/90	710981	5	
16	Cover plate QSM70	1048075	2	
17	Washer NL 8mm	611040	8	
18	Screw MC6S M8x40 12.9 ZFSL	6000145	8	



EC-Oil 1bl.

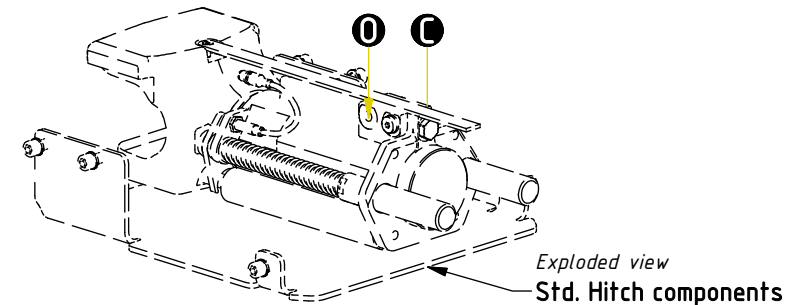
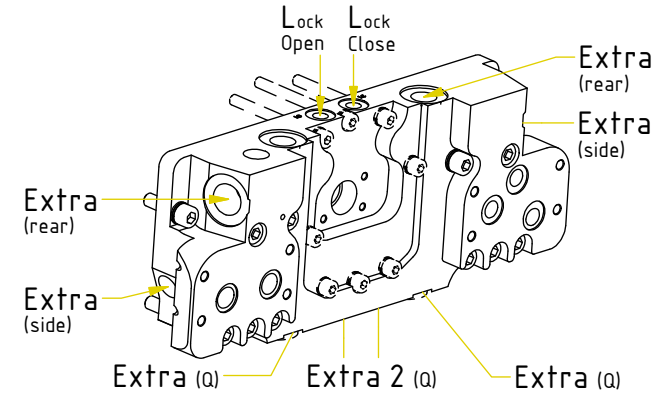
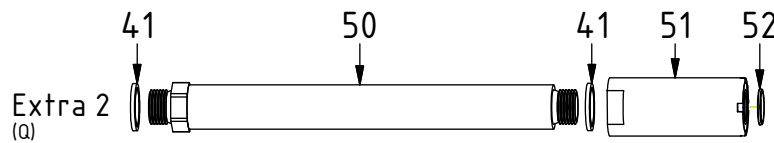
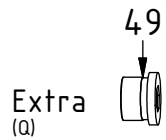
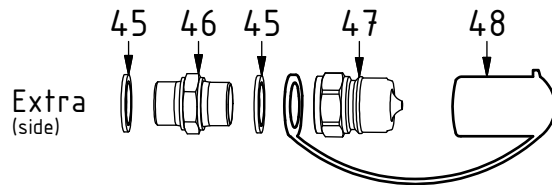
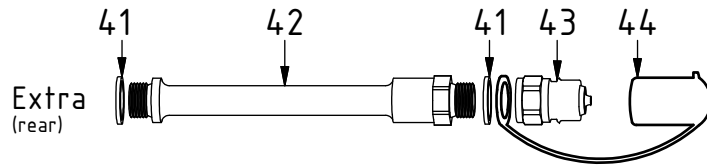
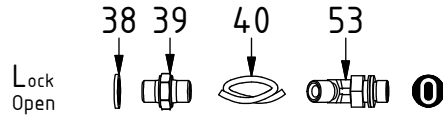
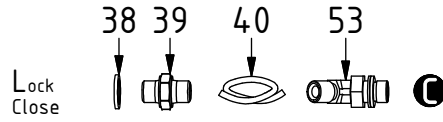


Without EC-Oil

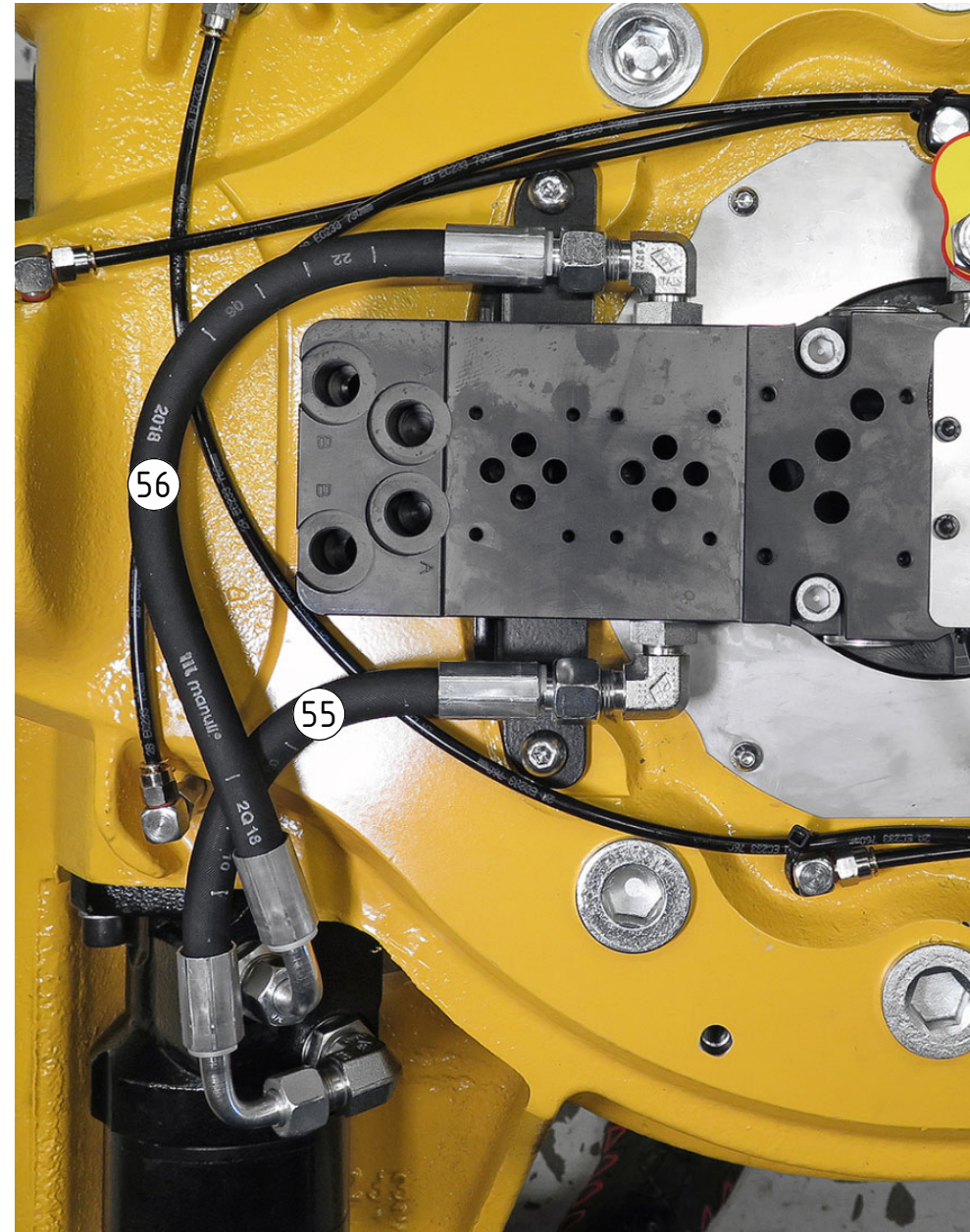
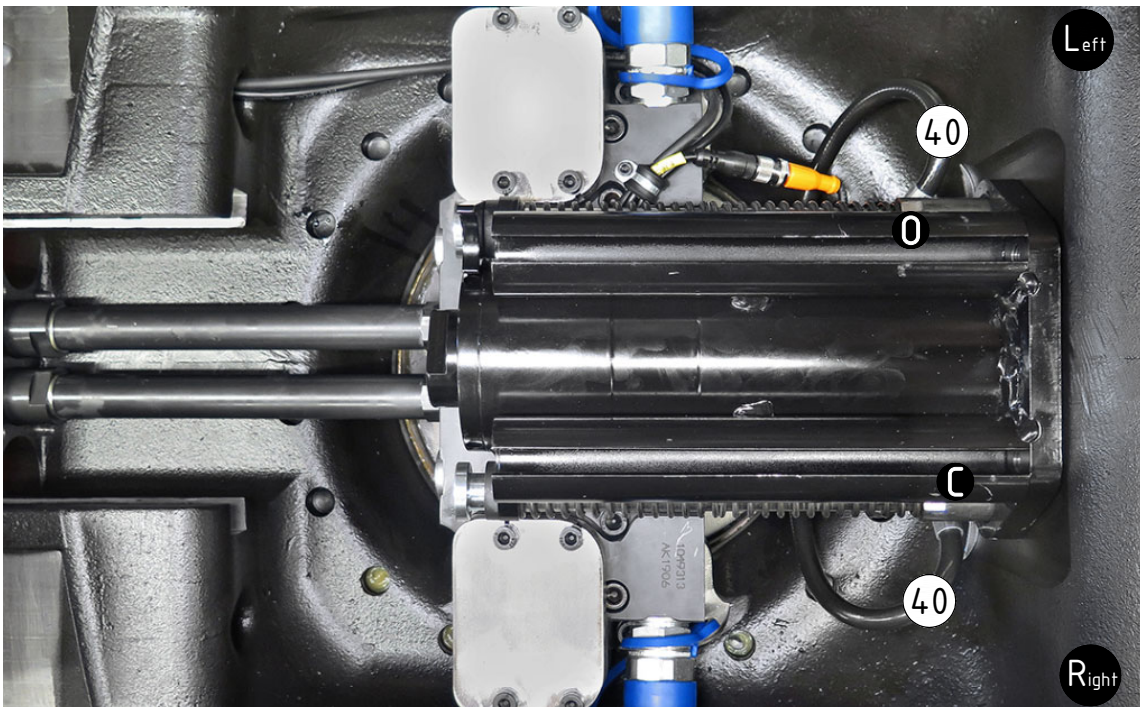
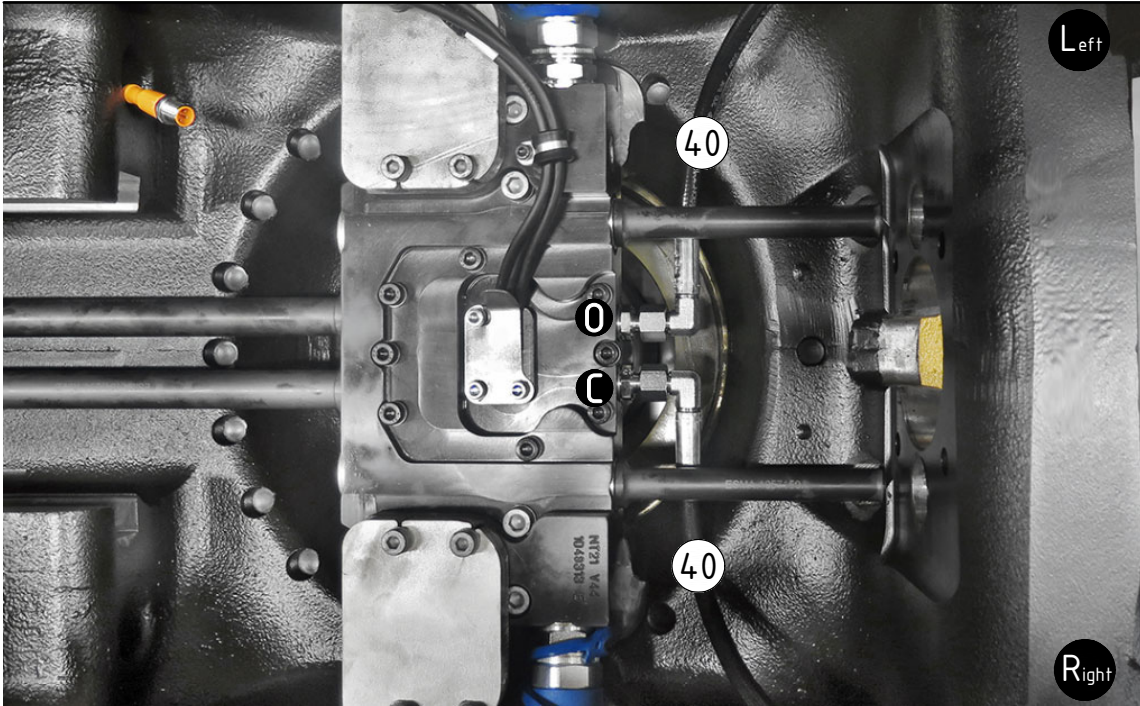


POS in order of assembly

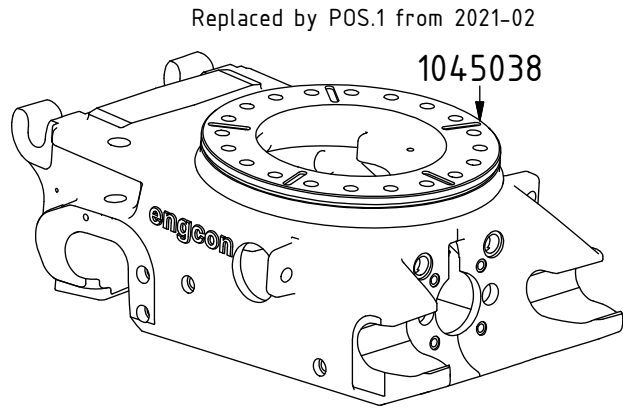
POS	DESCRIPTION	PART	QTY	COMMENTS
38	Washer GBR04 1/4	710702	2	
39	Adapter 138-04-29 (1/4")	710135	2	
40	Hose Lock	742649	2	
41	Washer GBR08 1/2	710704	8	
42	Adapter extension extra 1/2"	1057150	2	
43	Quick coupling 1/2"	790115	2	
44	Dust protection 1/2"	790121	2	
45	Washer GBR12 3/4	710706	4	
46	Adapter 136-12-12 (3/4")	710126	2	
47	Quick coupling 3/4"	790193	2	
48	Dust protection 3/4"	790195	2	
49	Plug 70125-12 (3/4")	711532	2	
50	Adapter extension 1/2"-1/2" Steel	1050650	2	
51	Coupling ECO QSM 1/2" female V3	1055420	2	Loxreal 83-52. (POS.52 incl.)
52	Flat sealing for ECO 1/2" V3	1050018	2	
53	Adapter 45° 402-04-04(1/4")	7000104	2	



POS	DESCRIPTION	PART	QTY	COMMENTS
40	Hose Lock	742649	2	
55	Hose hydraulic motor Short	7000903	1	
56	Hose hydraulic motor Long	7000451	1	

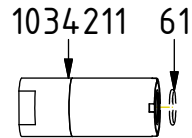


SPARE PARTS



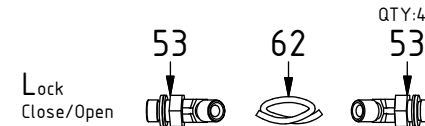
POS	DESCRIPTION	PART	QTY	COMMENTS
1	Quick hitch QSM70 V3 EC226	1061735	1	
38	Washer GBR04 1/4	710702	2	
41	Washer GBR08 1/2	710704	8	
49	Plug 70125-12 (3/4")	711532	2	
51	Coupling ECO QSM 1/2" female V3	1055420	2	Loxeal 83-52. (POS.52 incl.)
52	Flat sealing for ECO 1/2" V3	1050018	2	
53	Adapter 45° 402-04-04(1/4")	7000104	2	
57	Protection plug HECO70 hydraulic	7000156	2	
58	Adapter 1/2"-1/4" bolted GRD	1049234	2	
59	Quick Coupler 1/4" Male 2520	790111	2	
60	Dust Protection 1/4"	790119	2	
61	O-ring 17.17x1.78	710913	2	Used until 2020-01 Separate seal kit: 7000046
62	Hose Lock	742649	2	
63	Adapter 236-04-04	1013885	2	
64	Banjo bolt 4451-04 (1/4")	710271	4	

QSM-Q:

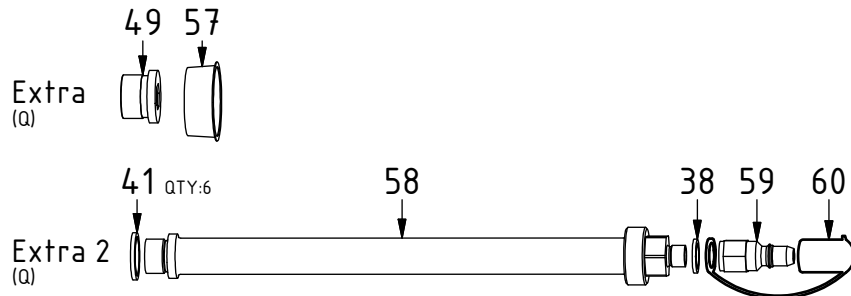


O-rings between versions are not compatible

Used until 2021-08:



QSM:



Used until 2022-01:

