

## COVERSHEET

## Planned document changes:

**Briefly:**

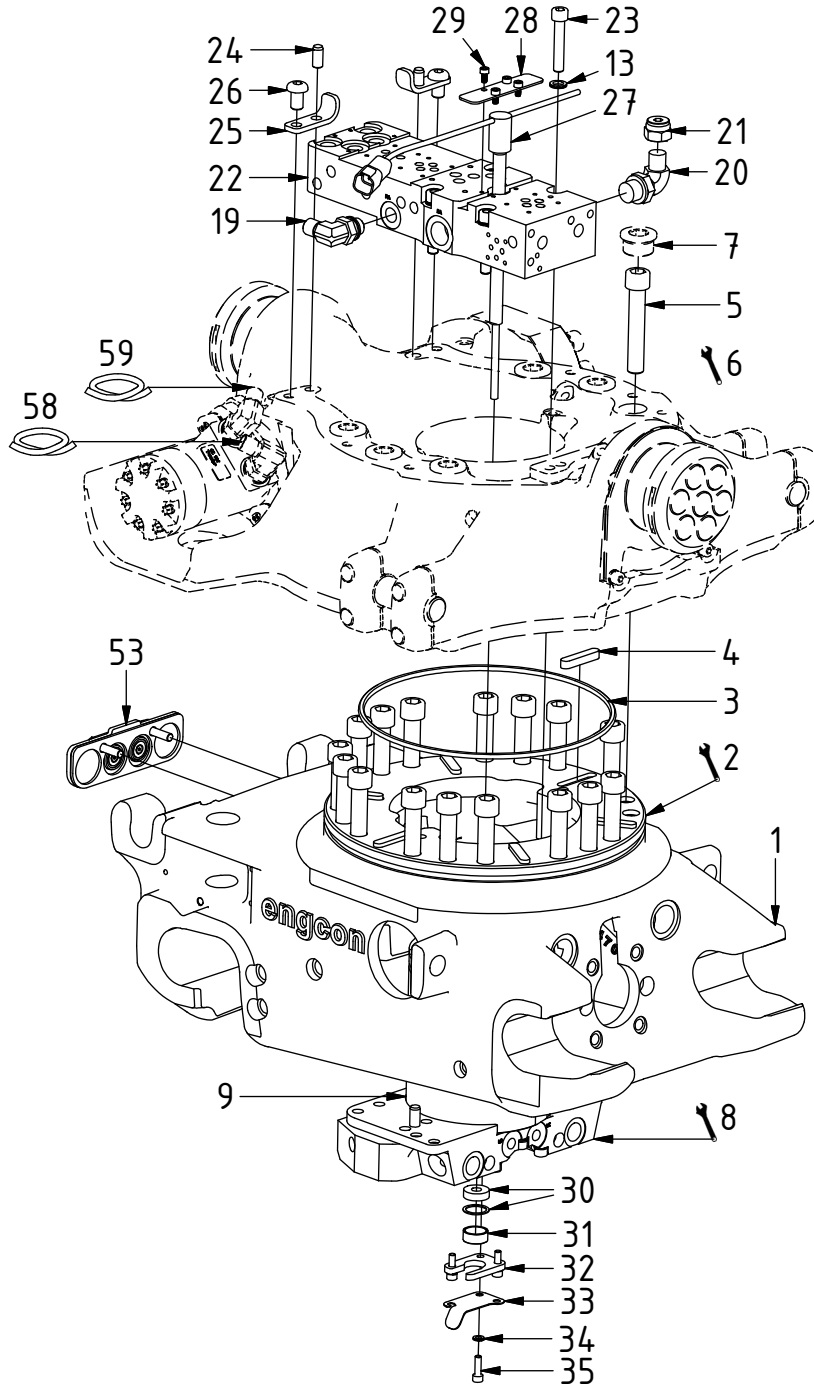
---

No planned changes.

## Document changes:

<b>Date:</b>	<b>Change:</b>	<b>Rev. after change:</b>
2019-12-20	QSM-Q couplings replaced. Spare parts added.	E
2019-09-30	Screw quality updated.	D
2019-04-02	ALU parts updated to steel.	C
2019-01-08	Layout/irrelevant.	B
2018-12-19	Item no for slip ring cover plate updated.	A
2018-11-28	New instruction.	-

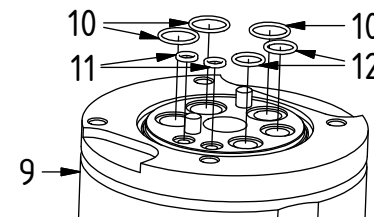
# EC214 - QSM60



POS	DESCRIPTION	PART	QTY	COMMENTS
1	Quick hitch QSM60 EC214	1045360	1	
2	Grease the ring			
3	O-ring 249,3x5,7	712424	1	
4	Feather Key	650102	6	
5	MC6S M16x90	610530	18	
6	Torque tighten quick hitch to rotator frame, six holes. Rotate to access the remaining holes			
7	Pipe plug M30x1,5	650410	6	Part of rotator frame assembly
8	See p.3 connection block config.			
9	Connect. block & swivel QSM Compl.	1050600	1	See "Valve blocks & swivels"
10	O-ring 17.17x1.78	710977	3	
11	O-ring 7,66x1,68 square	7000579	2	
12	O-ring 14x1,78	710975	7	
13	Washer NL10	611041	20	
19	Adapter 401-06-06 90° (3/8")	710152	2	Assemble before connecting valve block to swivel
20	Adapter 401-06-08 90° 1/2"	710157	1	Assemble before connecting valve block to swivel
21	Protectioncap 3/8"	711626	1	
22	Valve Block QSM	1049297	1	
23	MC6S M10x55 12.9 Geomet	612022	4	
24	Cylindrical pin	1020539	2	
25	Swivel stop EC214	1047831	2	
26	K6S 10.9 FZB	611812	2	Loctite 2700
27	Slip ring QSM60 M12	1046763	1	
28	Cover plate	1050384	1	
29	MC6S 5x10 12.9	610594	4	
30	Rubber bushing	1046691	1	Use the outer ring. Washer down
31	Ring slip ring QSM	1046692	1	
32	Plate slip ring QSM	1046689	1	
33	Plate cable steering QSM	1046694	1	
34	Washer NordLock M6	611039	3	
35	MC6S 6x20 12.9	610310	3	
53	Cover plate	1049327	1	Only for QSM-Q
58	Hose hydraulic motor Short	7000789	1	
59	Hose hydraulic motor Long	7000790	1	

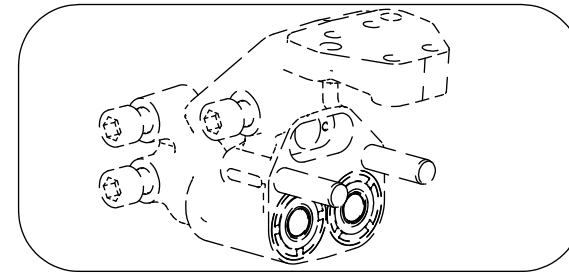
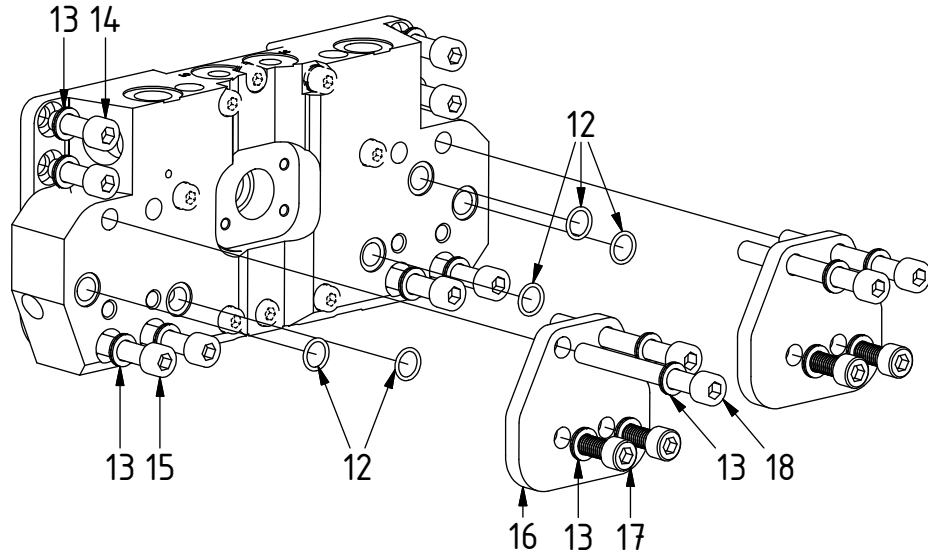
POS in order of assembly

O-rings between POS.9 & 22:



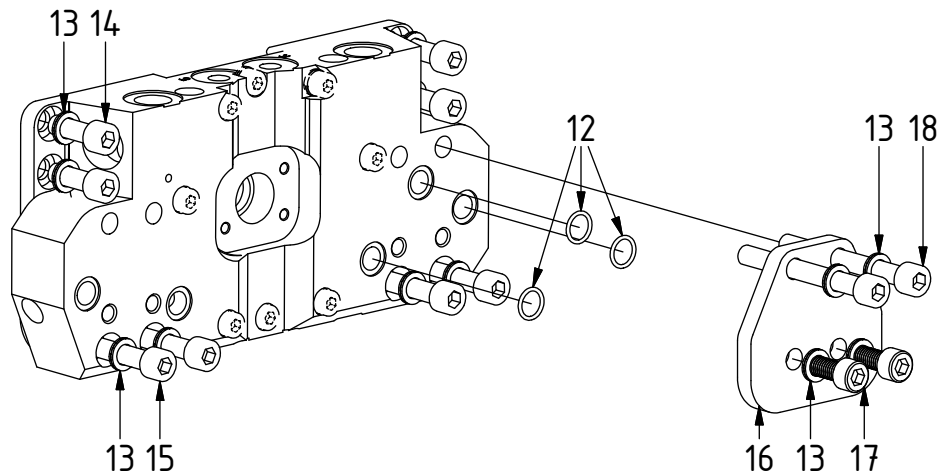
POS	DESCRIPTION	PART	QTY	COMMENTS
12	O-ring 14x1,78	710975	7	
13	Washer NL10	611041	20	
14	MC6S 10x30 12.9	610452	4	
15	MC6S 10x60 12.9	610460	4	
16	Cover plate	1044083	2	
17	MC6S 10x25 12.9	610569	4	
18	MC6S 10x90 12.9	610465	4	

## Standard

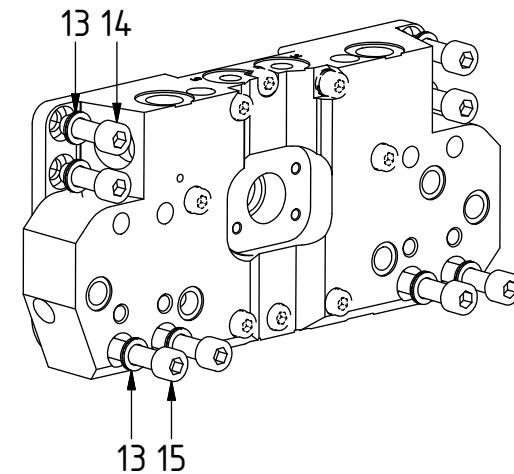


See instruction,  
EC-Oil components

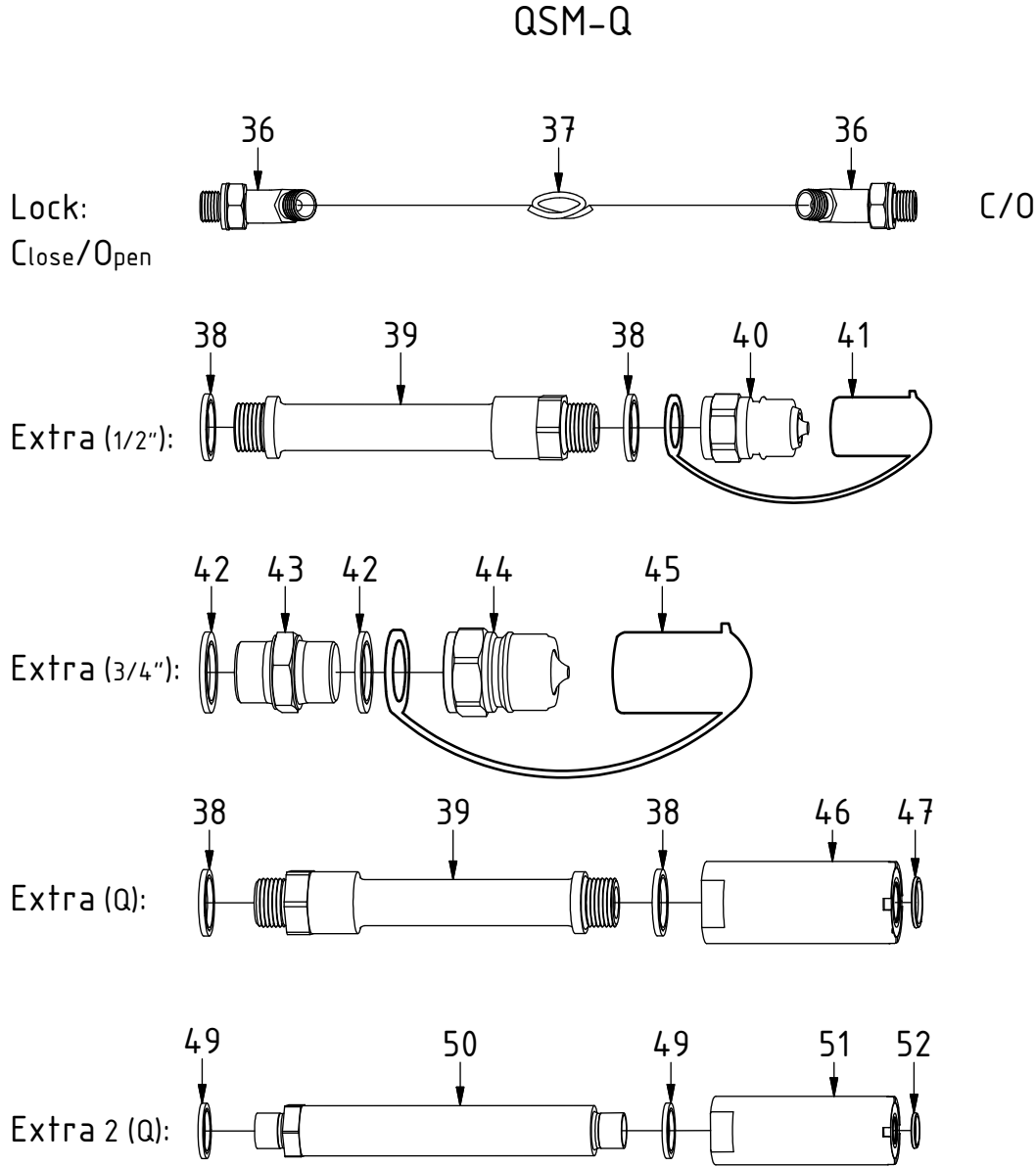
## EC-Oil 1bl.



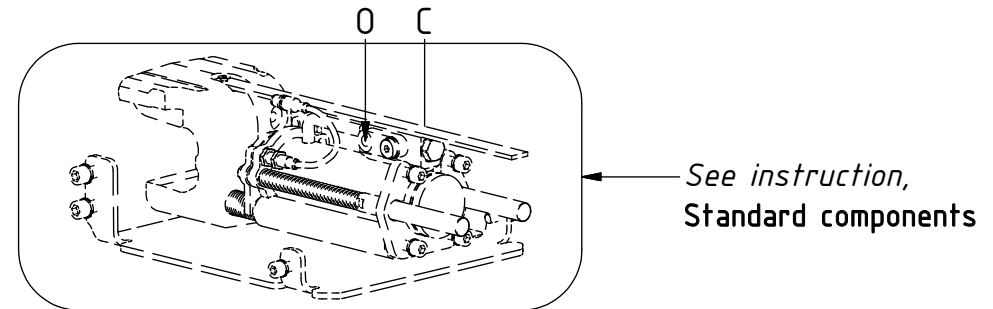
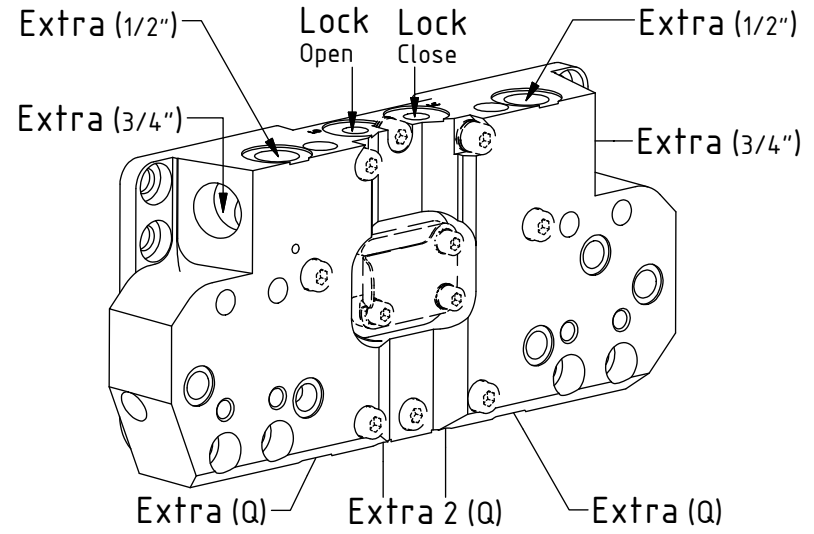
## EC-Oil 2bl.



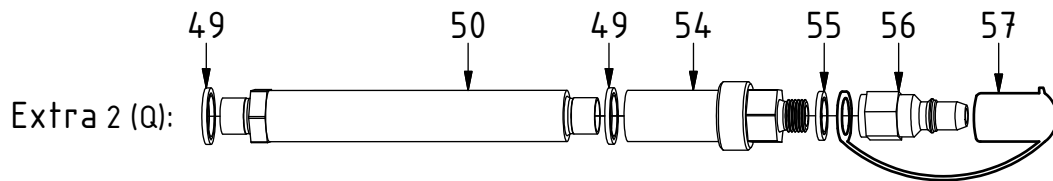
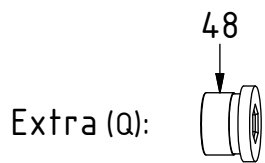
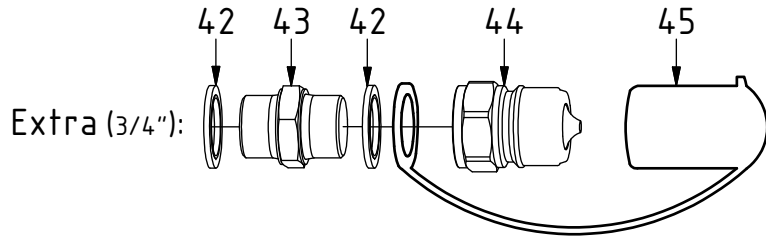
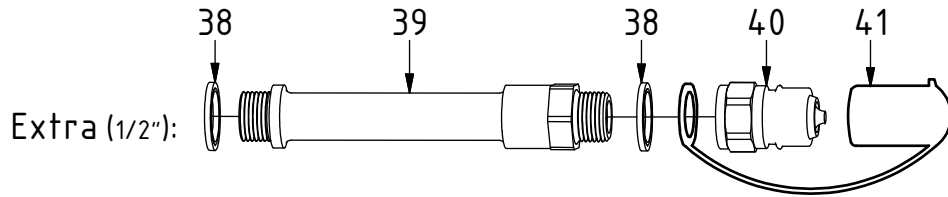
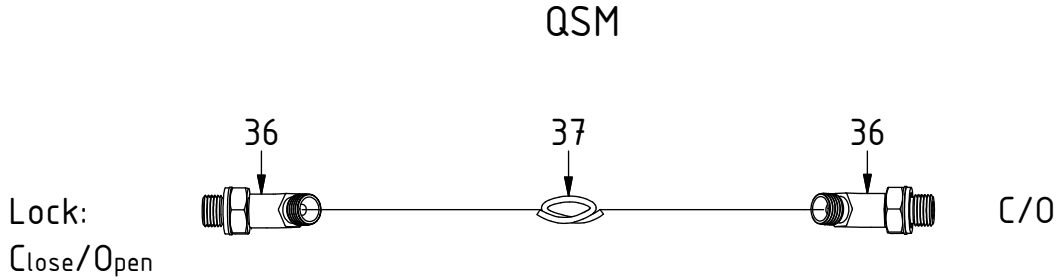
# EC214 - QSM60



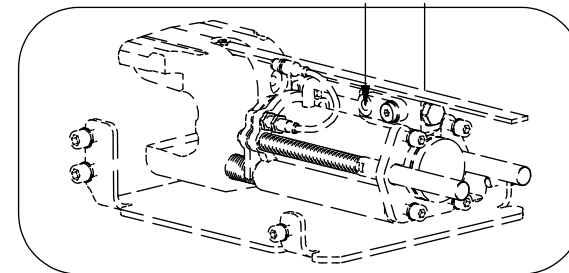
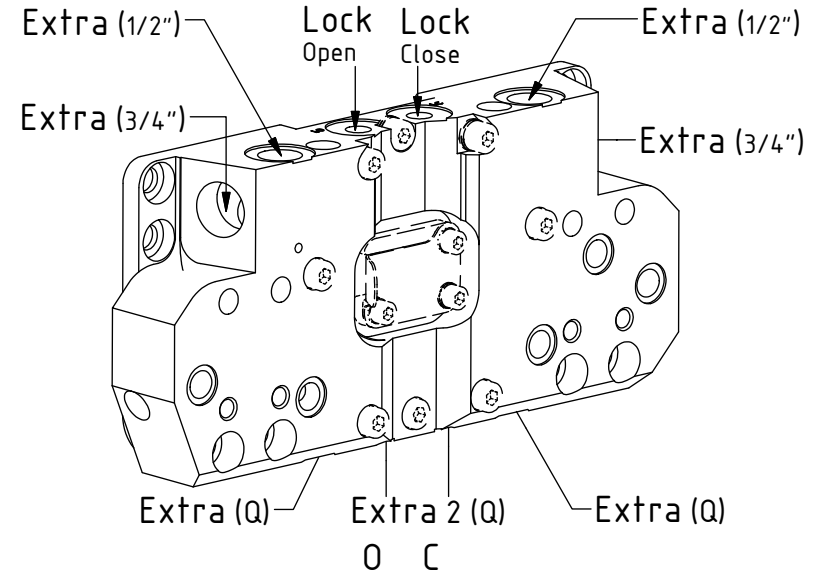
POS	DESCRIPTION	PART	QTY	COMMENTS
36	Adapter 402-04-04 45°	7000104	4	
37	Hose Lock	7000743	2	
38	Sealing washer 1/2"	710704	4	QTY: 8 for QSM-Q
39	Adapter extension 1/2" Steel	1045926	2	QTY: 4 for QSM-Q
40	Quick coupling 1/2"	790115	2	
41	Dust Protection 1/2"	790121	2	
42	Sealing washer 3/4"	710706	4	
43	Adapter 136-12-12 3/4"	710126	2	
44	Quick coupling 3/4"	790193	2	
45	Dust Protection 3/4"	790120	2	
46	Coupling ECO QSM 1/2" female V2	1055420	2	Loctite 2700. (POS.47 included)
47	O-ring 18,4x1,95 (for V2)	1050018	2	
49	Sealing washer 3/8"	710703	4	
50	Adapter extension 3/8" Steel	1045927	2	
51	Coupling ECO QSM 3/8" female V2	1055682	2	Loctite 2700. (POS.52 included)
52	O-ring 12,5/15,7x1,6 PU 94 (for V2)	1052976	2	



# EC214 - QSM60



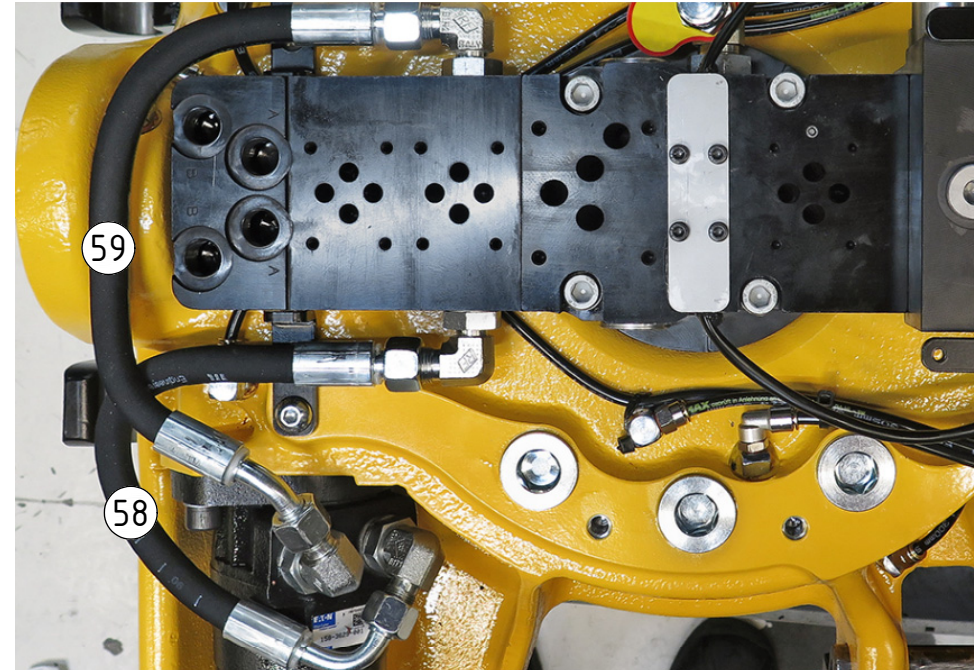
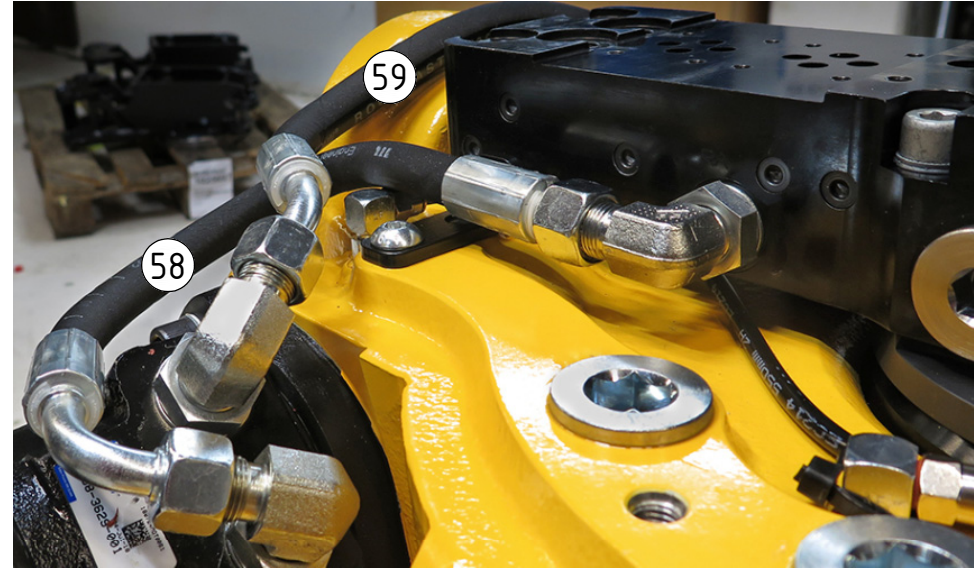
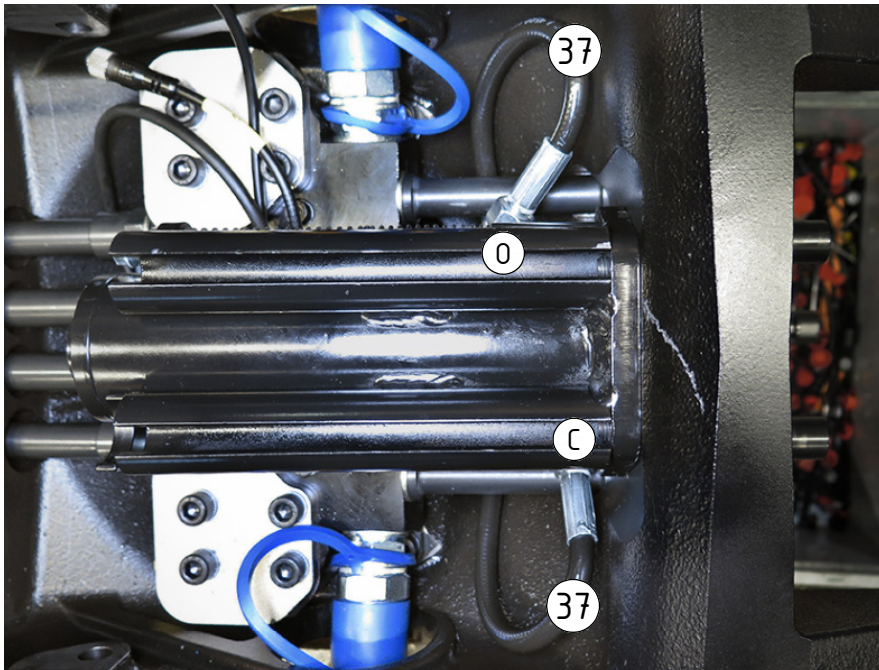
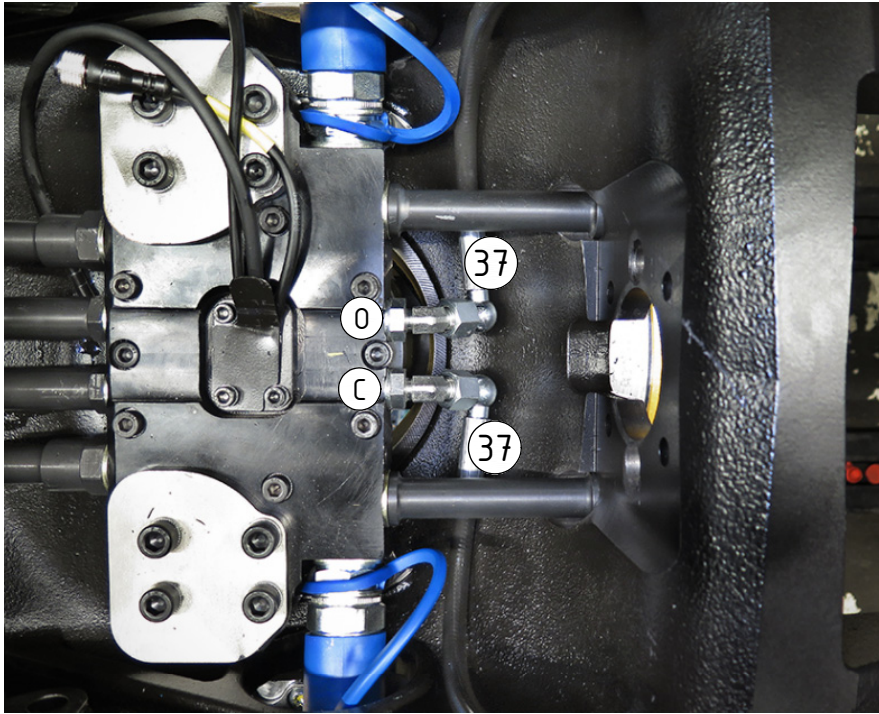
POS	DESCRIPTION	PART	QTY	COMMENTS
36	Adapter 402-04-04 45°	7000104	4	
37	Hose Lock	7000743	2	
38	Sealing washer 1/2"	710704	4	QTY: 8 for QSM-Q
39	Adapter extension 1/2" Steel	1045926	2	QTY: 4 for QSM-Q
40	Quick coupling 1/2"	790115	2	
41	Dust Protection 1/2"	790121	2	
42	Sealing washer 3/4"	710706	4	
43	Adapter 136-12-12 3/4"	710126	2	
44	Quick coupling 3/4"	790193	2	
45	Dust Protection 3/4"	790120	2	
48	Plug 3/4"	711532	2	
49	Sealing washer 3/8"	710703	4	
50	Adapter extension 3/8" Steel	1045927	2	
54	QSM60 pipe GRD bolted	1050423	2	Loctite 2700 against POS.50
55	Washer GBR04 1/4	710702	2	
56	Quick Coupler 1/4" Male 2520	790111	2	
57	Dust Protection 1/4"	790119	2	



See instruction, Standard components

# EC214 - QSM60

POS	DESCRIPTION	PART	QTY	COMMENTS
37	Hose Lock	7000743	2	
58	Hose hydraulic motor Short	7000789	1	
59	Hose hydraulic motor Long	7000790	1	

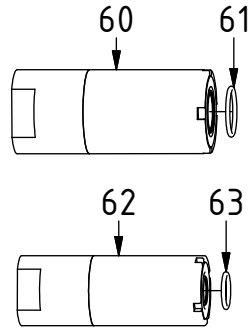


## Related spare parts

POS	DESCRIPTION	PART	QTY	COMMENTS
46	Coupling ECO QSM 1/2" female V2	1055420	2	Loctite 2700. (POS.47 included)
47	O-ring 18,4x1,95 (for V2)	1050018	2	
51	Coupling ECO QSM 3/8" female V2	1055682	2	Loctite 2700. (POS.52 included)
52	O-ring 12,5/15,7x1,6 PU 94 (for V2)	1052976	2	
60	Coupling ECO QSM 1/2" female	1034211	2	Replaced by POS.46 from 2020-01 Loctite 2700. (POS.47 included)
61	O-ring 17.17x1.78 (Not for V2)	710913	2	Replaced by POS.47 from 2020-01 Separate seal kit: 7000046
62	Coupling ECO QSM 3/8" female	1047446	2	Replaced by POS.51 from 2020-01 Loctite 2700. (POS.52 included)
63	O-ring 12,42x1,78 (Not for V2)	712417	2	Replaced by POS.52 from 2020-01 Seperate seal kit: 7000045

POS in order of assembly

QSM-Q:



O-rings between "V1" & "V2"  
couplings are not compatible