

COVERSHEET

Planned document changes:

Briefly:

No planned changes.

Document changes:

Date:	Change:	Rev. after change:
2024-10-01	Grease nipple from rotator frame added.	E
2023-11-07	Hose kit discontinued.	D
2022-03-21	Details for dosing block updated.	C
2019-10-14	Photos updated.	B
2019-04-12	Details for hose 1A updated. Spare parts page added.	A
2018-10-01	New document.	-

Readers note:

Indicates instruction.



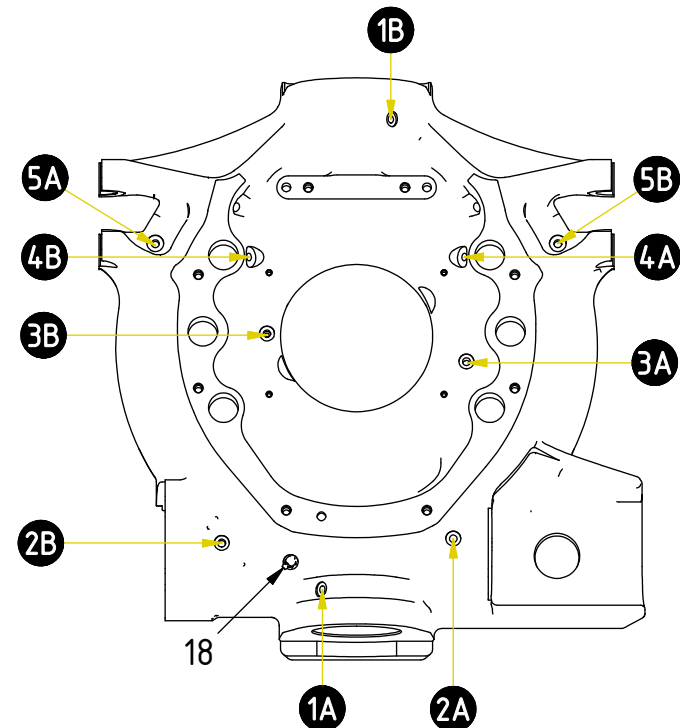
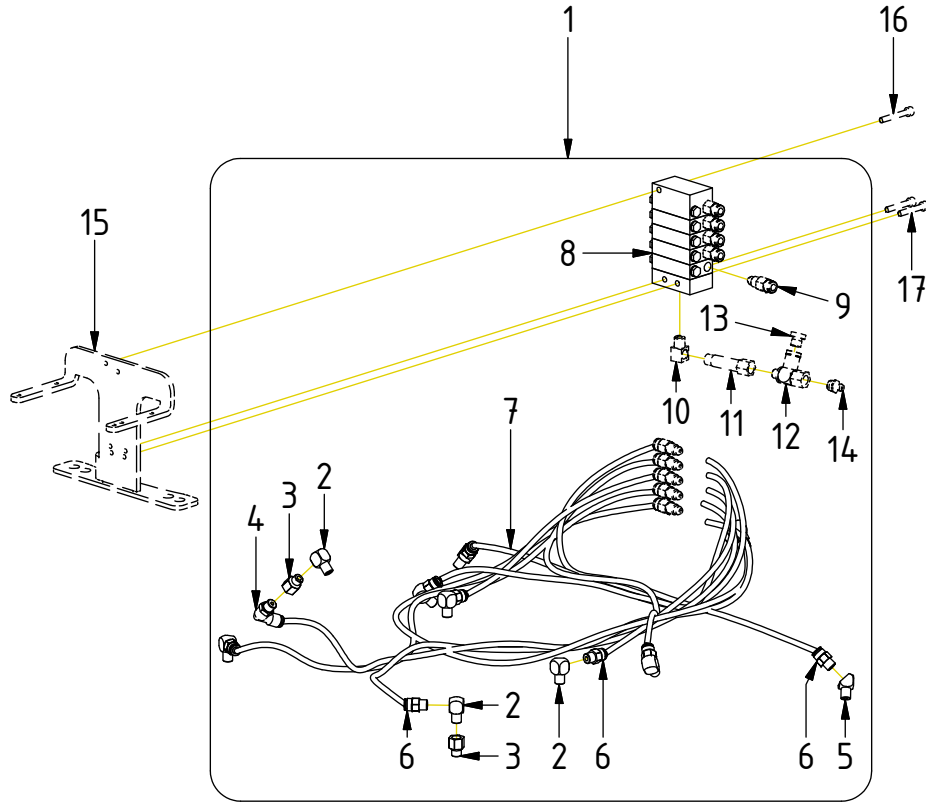
Represents Hose.

Dashed lines for overview, mounts
on other pages/assemblies.

EC226 - Central lubrication

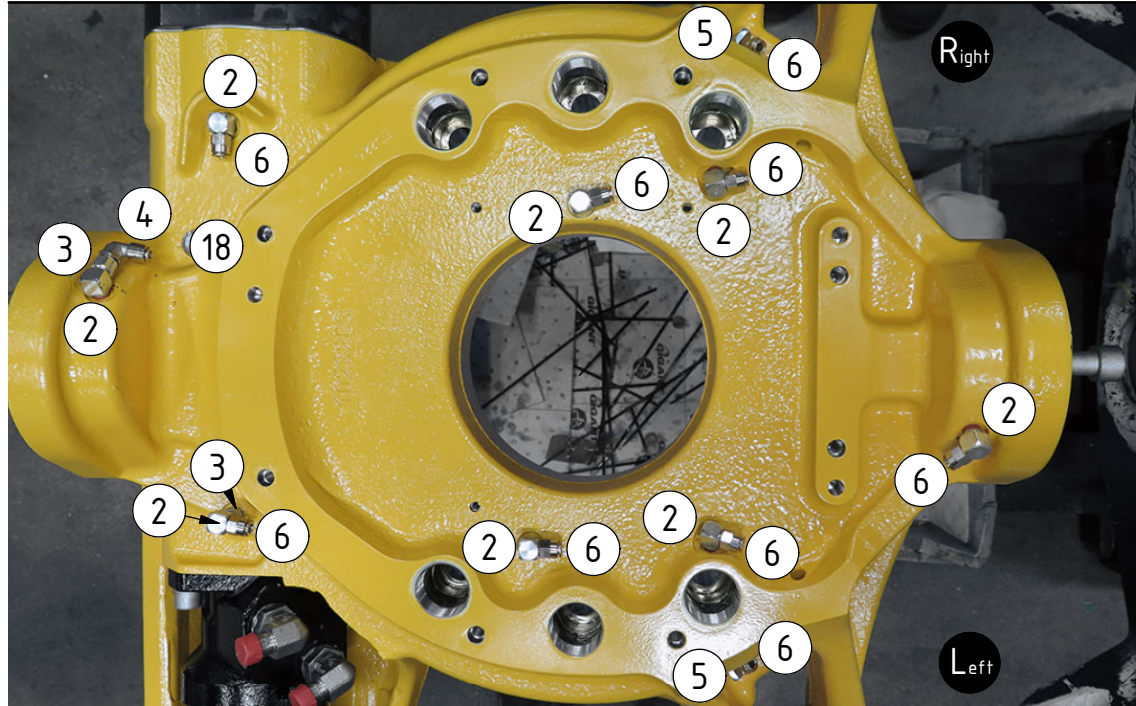
POS	DESCRIPTION	PART	QTY	COMMENTS
1	Lubrication kit EC226 Complete	1021136	1	(POS.2-8 incl.)
2	Adapter 90° R1/8"	710199	8	
3	Extender straight 1/8"	712216	2	
4	Adapter 90° Push-in - swivel	790184	1	
5	Adapter 45° R1/8"	712215	2	
6	Push-in R1/8"	790172	9	
7	Hose central lubrication bulk	7000784	1	
8	Dosing block MX-F	1028281	1	(POS.9-12, 14 incl.)
9	Push-in Coupling 6mm	790188	10	
10	Adapter 90° M10x1	790190	1	
11	Extender M10x1 50mm	7001869	1	
12	T-Swivel union M10x1 with plug	7001870	1	(POS.13 incl.)
13	Plug 70125-02 (1/8")	711503	1	
14	Grease nipple H1 M10x1	790166	1	
15	Mounting plate lube QSM, ECHF	1031517	1	
16	Screw MC6S M5x35 12.9	610404	1	Part of rotator frame
17	Screw MC6S M5x30 12.9	610403	2	Part of rotator frame
18	Grease nipple	711409	1	Part of rotator frame

POS in order of assembly

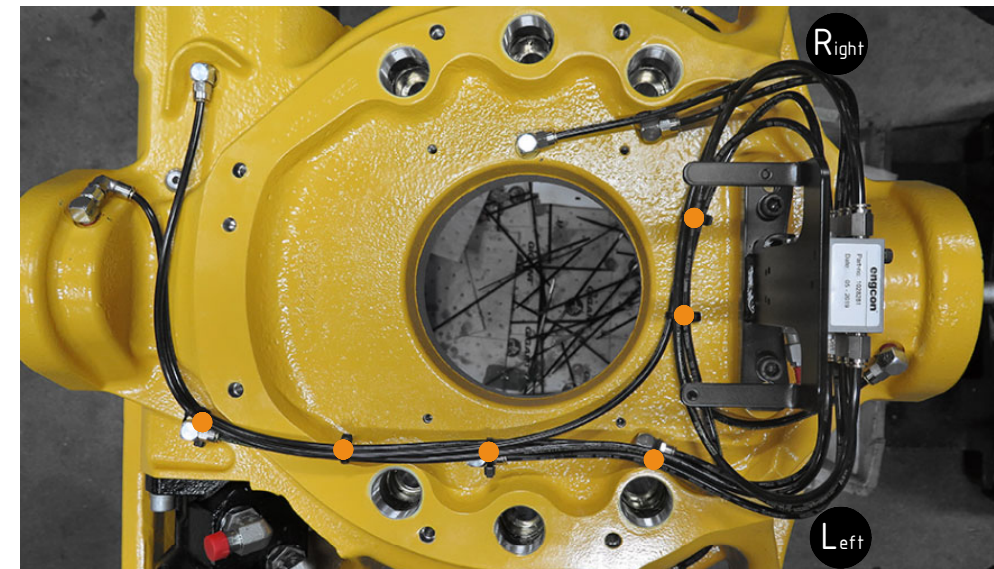
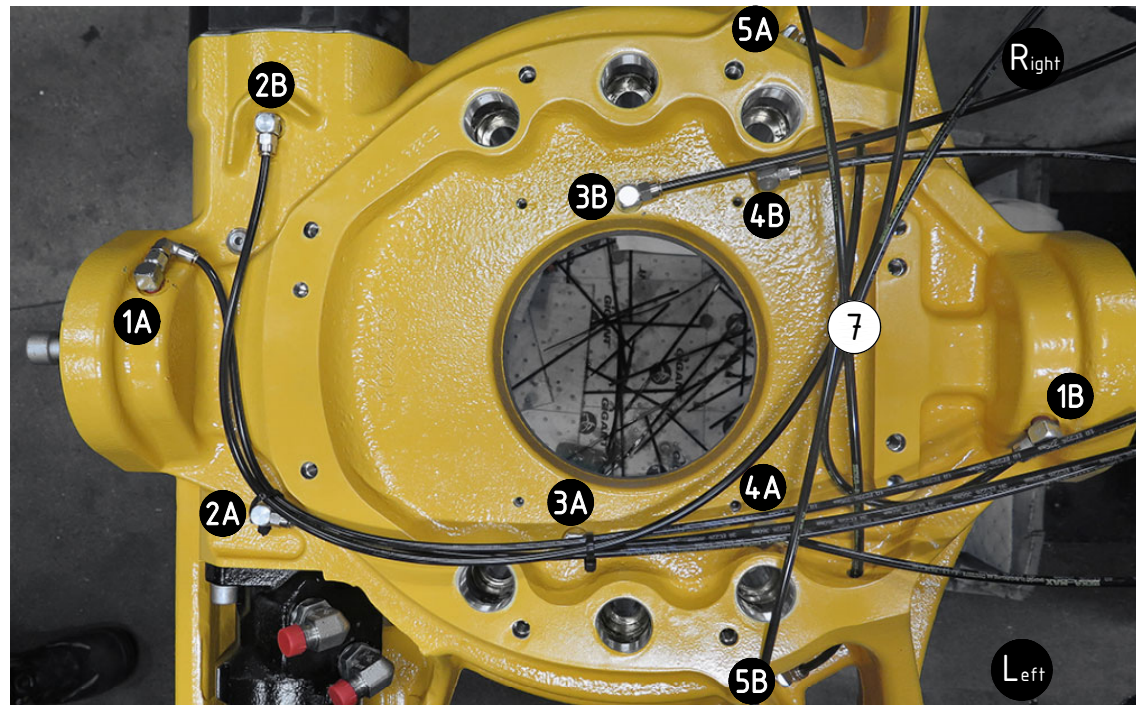
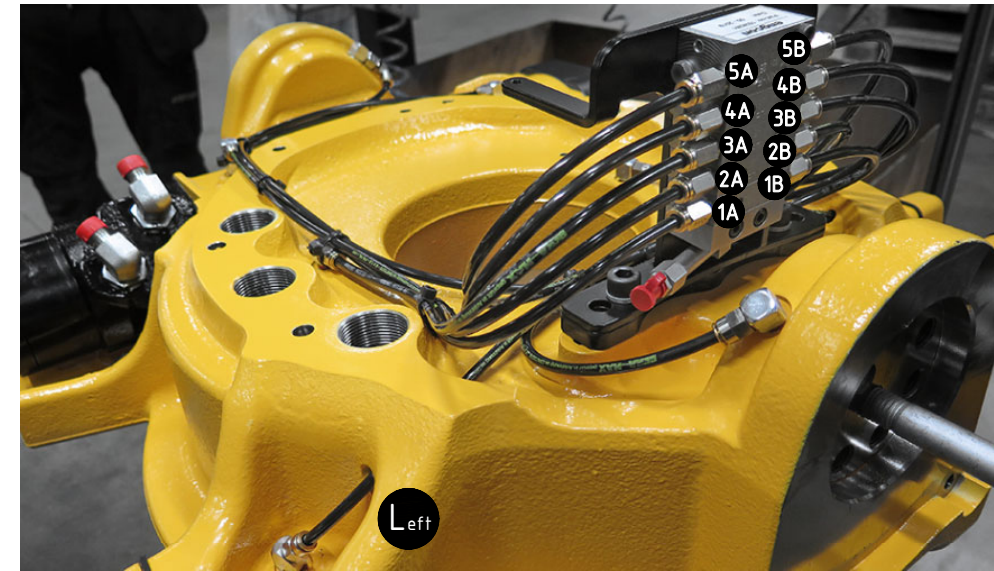


EC226 - Central lubrication

POS in order of assembly



POS	DESCRIPTION	PART	QTY	COMMENTS
2	Adapter 90° R1/8"	710199	8	
3	Extender straight 1/8"	712216	2	
4	Adapter 90° Push-in - swivel	790184	1	
5	Adapter 45° R1/8"	712215	2	
6	Push-in R1/8"	790172	9	
7	Hose central lubrication bulk	7000784	1	
18	Grease nipple	711409	1	Part of rotator frame
● Use cable ties				



SPARE PARTS

POS	DESCRIPTION	PART	QTY	COMMENTS
2	Adapter 90° R1/8"	710199	8	
6	Push-in R1/8"	790172	9	

POS in order of assembly

1A until 2019-02

