

COVERSHEET

Planned document changes:

Briefly:

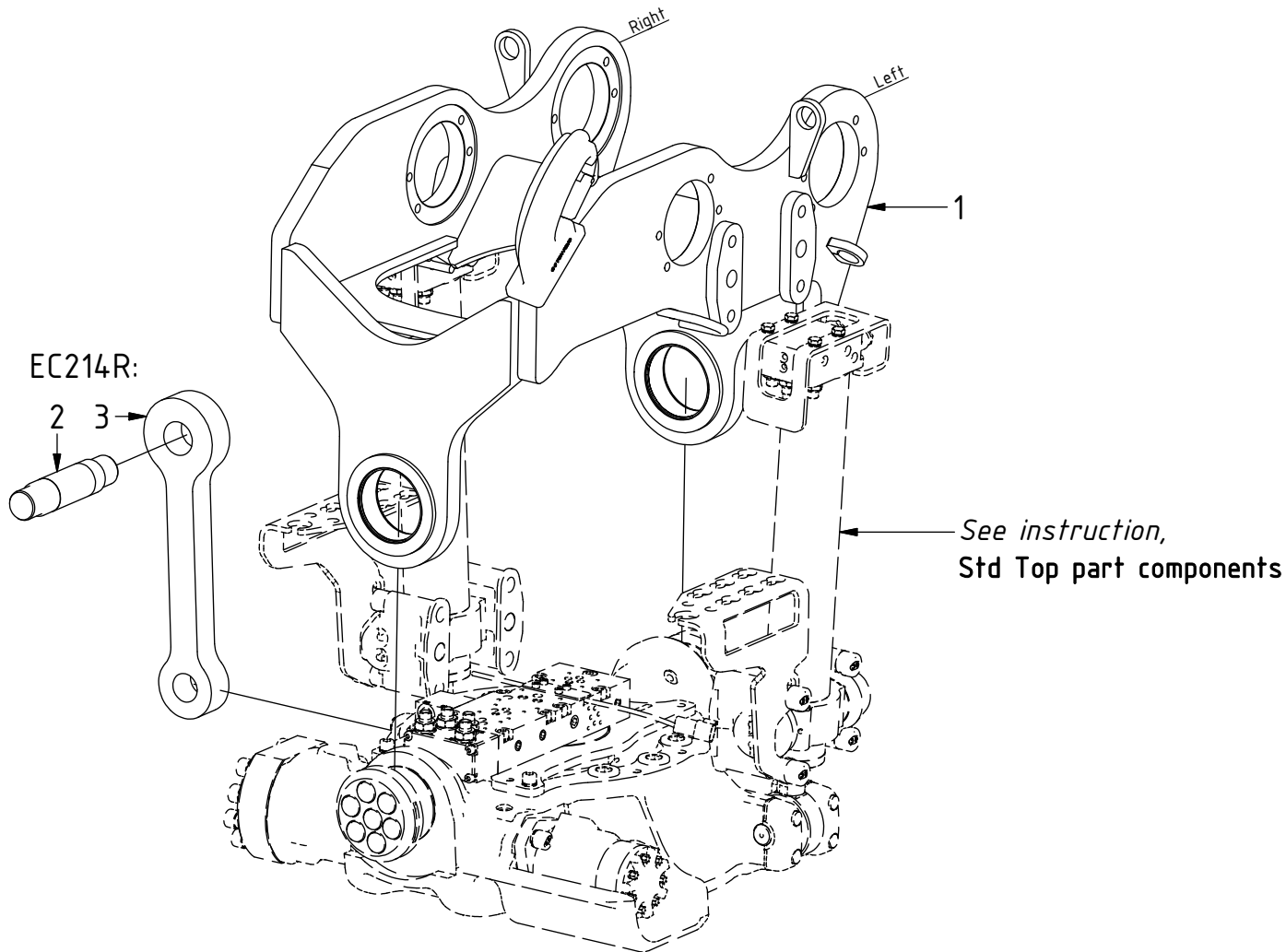
Add photos.

Document changes:

Date:	Change:	Rev. after change:
2019-02-26	Option SX added.	A
2019-01-11	New instruction.	-

EC214 - UNI Top part

POS	DESCRIPTION	PART	QTY	COMMENTS
1	Top part UNI is selected via engcon		1	
2	Axle rotator leg	1027881	2	For EC214R
3	Rotator support EC214R UNI	1030007	2	For EC214R



EC214 - UNI Top part

P = 4

T = 4

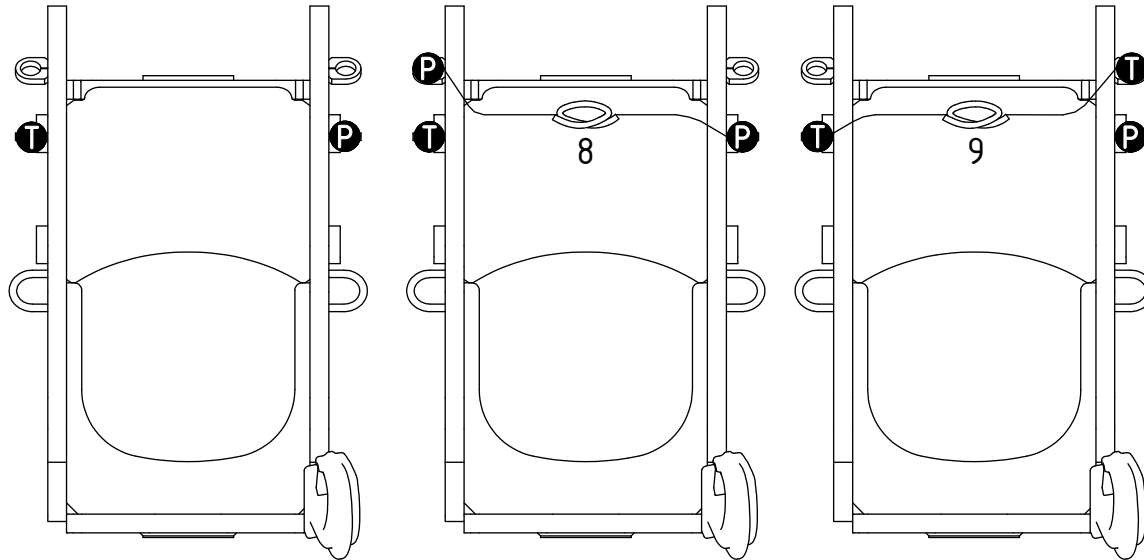
FEED:
3/4" (Std)

Main feed

Standard

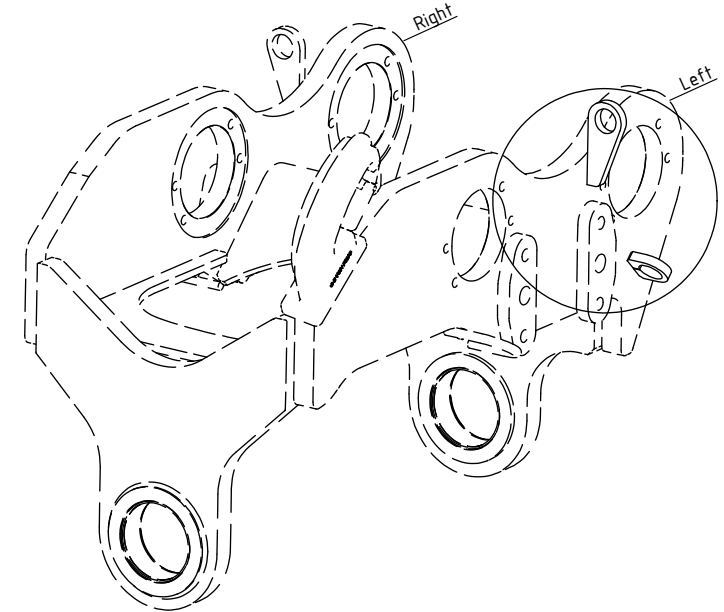
Feed Right

Feed Left



POS	DESCRIPTION	PART	QTY	COMMENTS
4	Use washer, adapter, nut according to POS5, 6, 7			
5	Washer NL 1"	611095	2	
6	Adapter 1260-12-12 (3/4")	712210	2	
7	Check nut 1270-12 (3/4")	712211	2	
8	Hose Bridge All right	7000162	1	
9	Hose Bridge All left	7000161	1	
25	Attach feed hoses from control system			(a & b represents channels on feed block)

POS in order of assembly



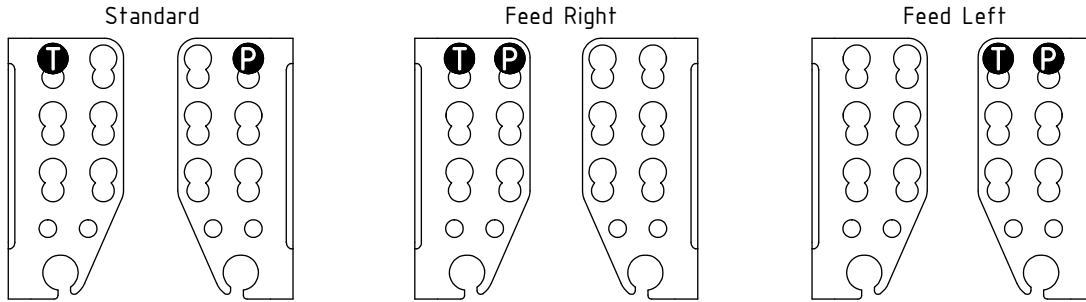
EC214 - UNI Top part

Drawing No: 1049398 /A

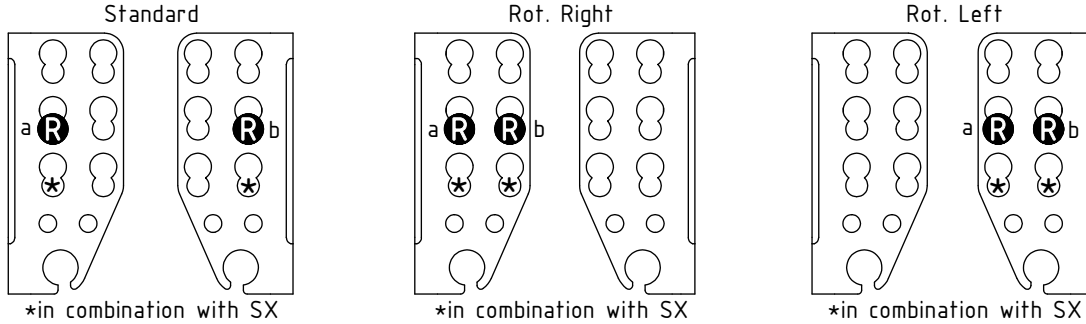
- P** = 13
- T** = 13
- R** = 17
- L** = 21
- filt** = 17
- E** = 13

FEED:
1/2"

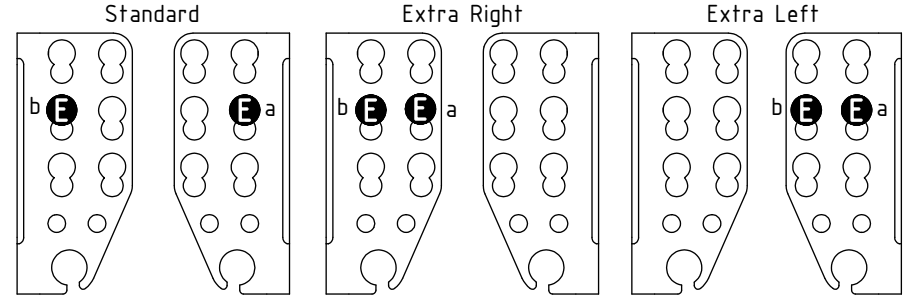
Main feed



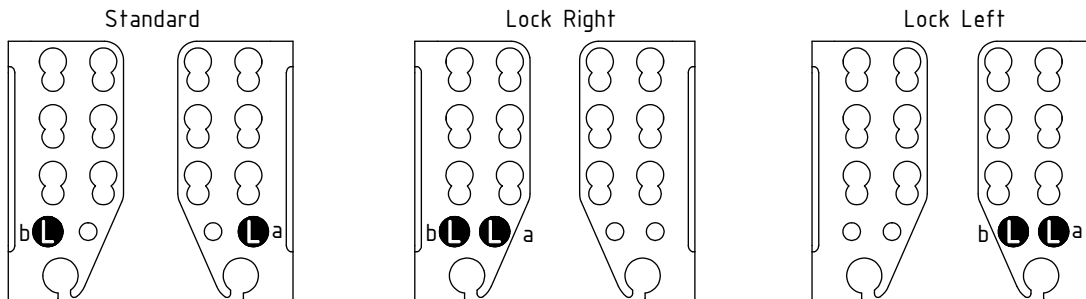
Rotation



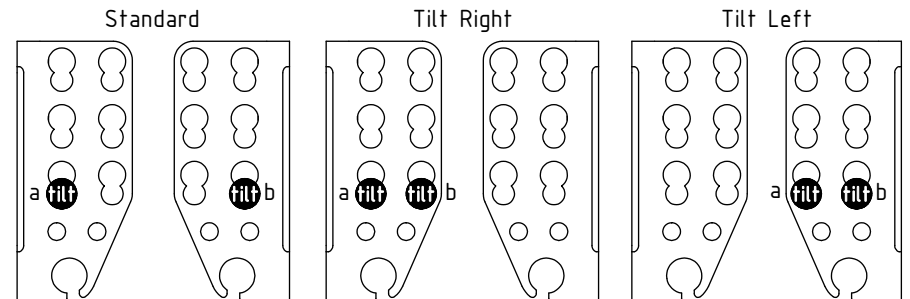
Extra (SX)



Lock (SQ)



Tilt (ST)



POS	DESCRIPTION	PART	QTY	COMMENTS
13	Use washer, adapter, nut according to POS.14, 15, 16			
14	Washer NL 20mm	611098	2	
15	Adapter 1260-08-08 (1/2")	710244	2	
16	Check nut 1270-08 (1/2")	710254	2	
17	Use washer, adapter, nut according to POS.18, 19, 20			QTY depends on terminal holes (2-4)
18	Washer NL 16mm	611044	2	
19	Adapter 1260-06-32 (3/8")	710242	2	
20	Check nut 1270-06 (3/8")	710252	2	
21	Use washer, adapter, nut according to POS.22, 23, 24			
22	Washer NL 1/2"	611096	2	
23	Adapter 1260-04-04 (1/4")	710240	2	
24	Check nut 1270-04 (1/4")	710250	2	
25	Attach feed hoses from control system			(a & b represents channels on feed block)

POS in order of assembly

EC214 - UNI Top part

FEED:
3/4" (Std)

POS	DESCRIPTION	PART	QTY	COMMENTS
8	Hose Bridge All right	7000162	1	
9	Hose Bridge All left	7000161	1	
25	Attach feed hoses from control system			(a & b represents channels on feed block)
26	Cable tie 7,8x360	1021587	3	

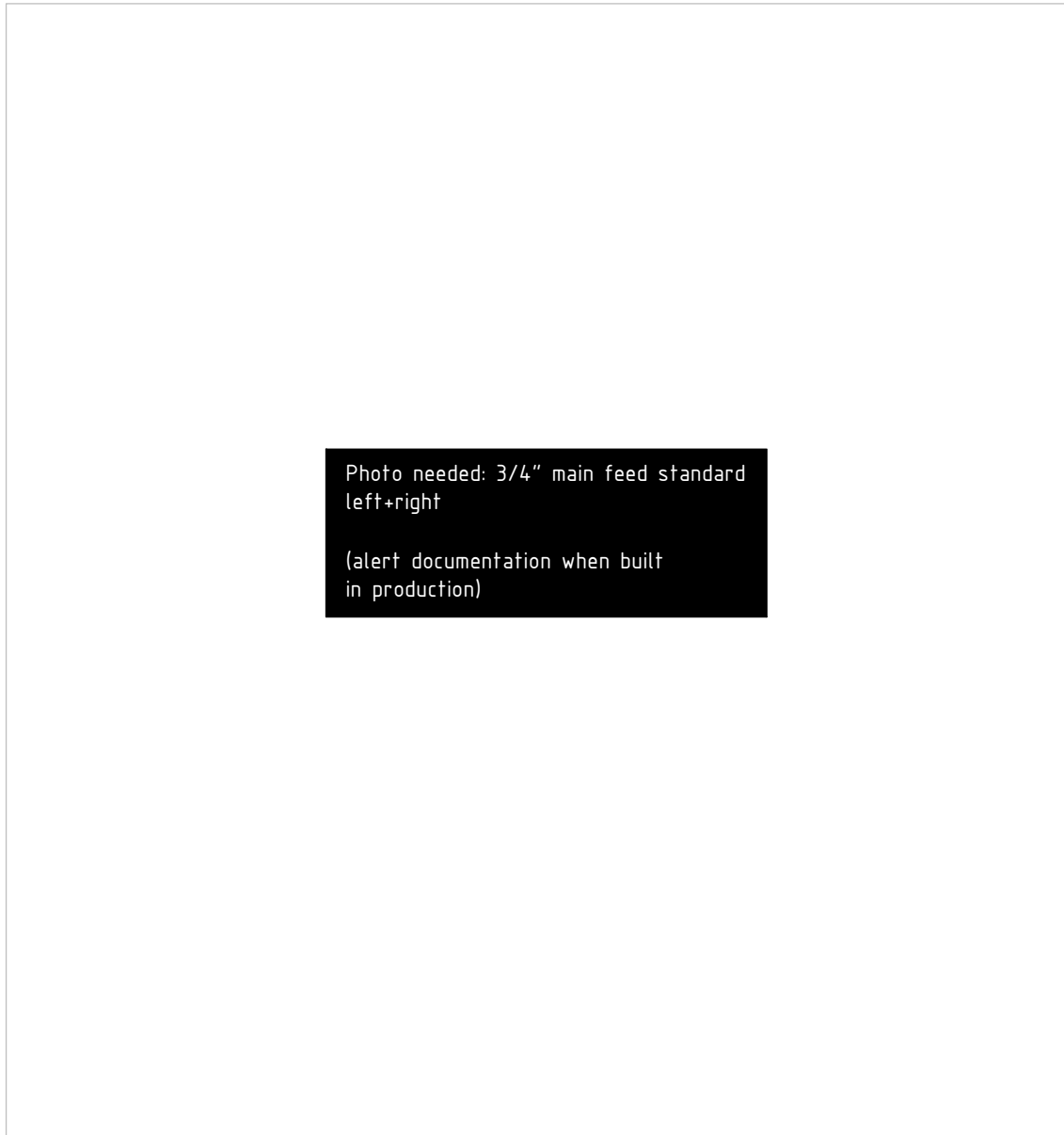
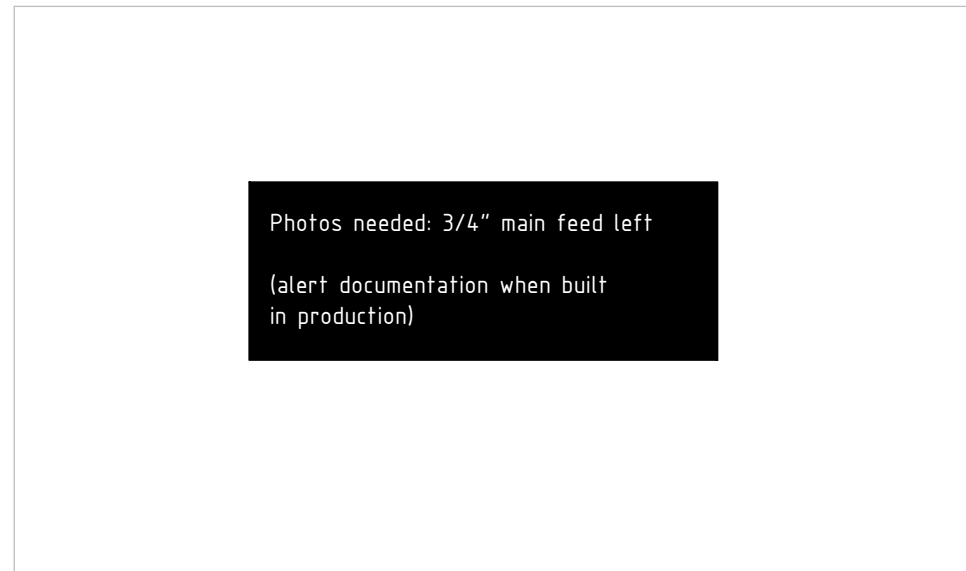


Photo needed: 3/4" main feed standard left+right

(alert documentation when built in production)

Feed Left:



Photos needed: 3/4" main feed left

(alert documentation when built in production)

Feed Right:



Photos needed: 3/4" main feed right

(alert documentation when built in production)

EC214 - UNI Top part

FEED:
1/2"

POS	DESCRIPTION	PART	QTY	COMMENTS
25	Attach feed hoses from control system			(a & b represents channels on feed block)
26	Cable tie 7,8x360	1021587	3	

POS in order of assembly

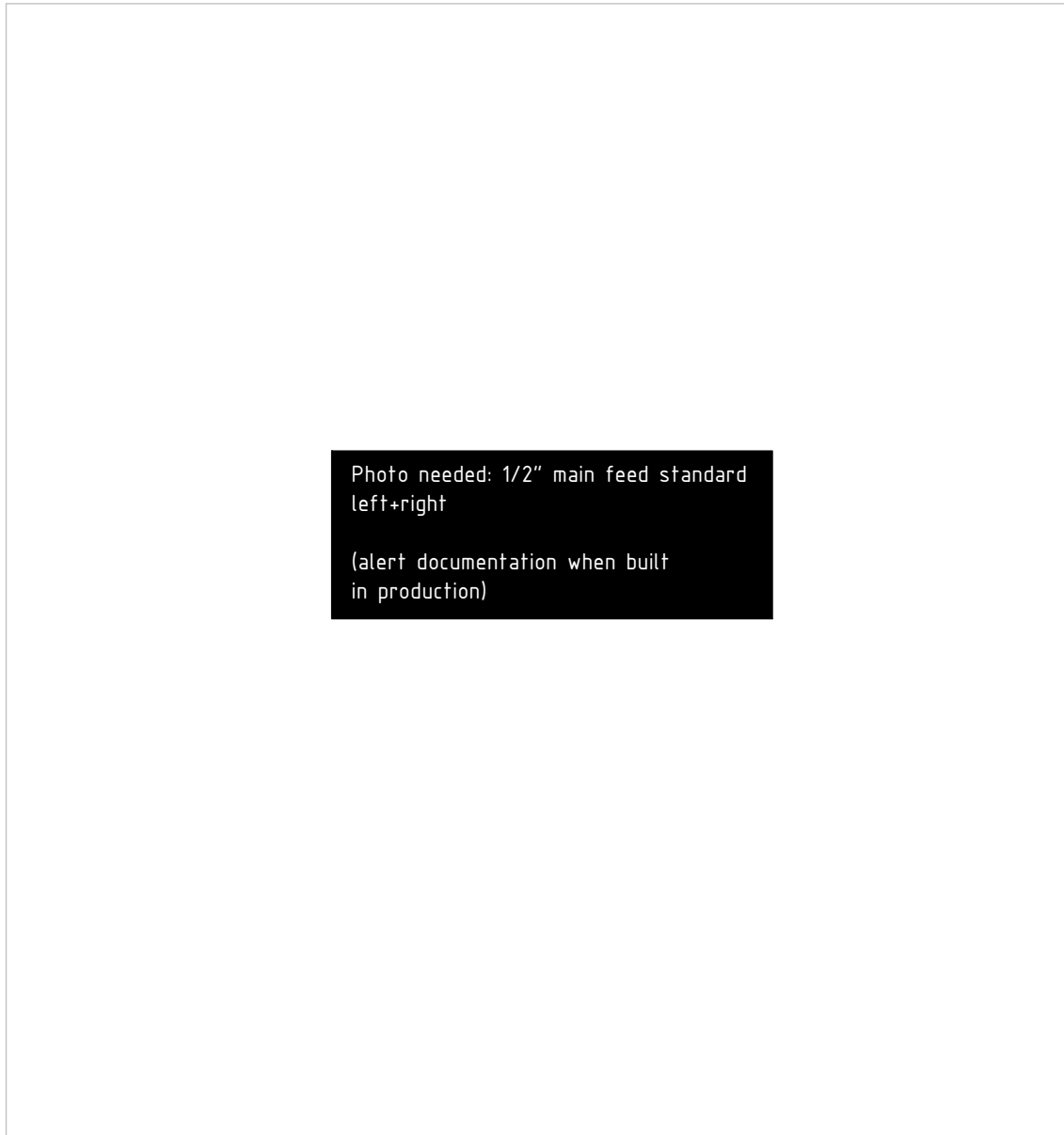
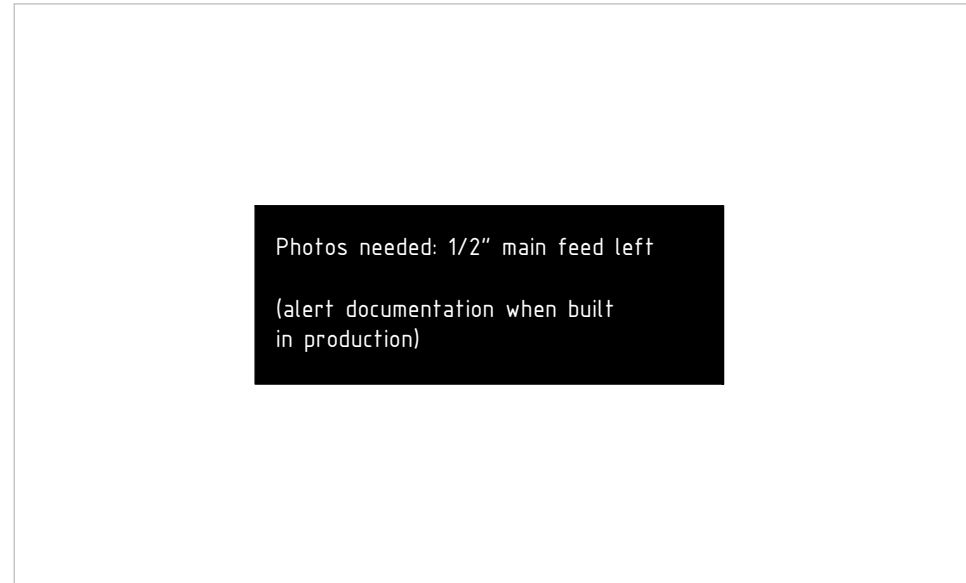
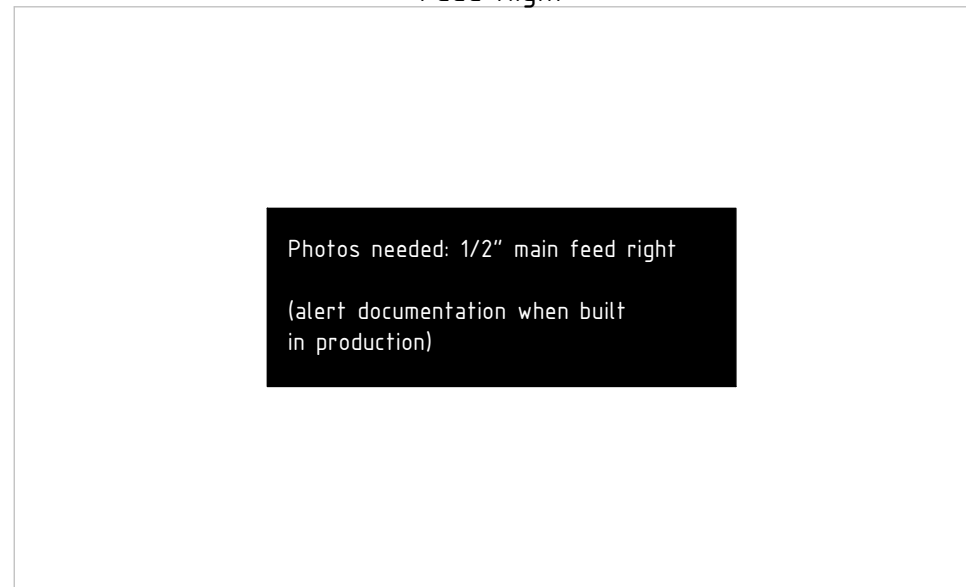


Photo needed: 1/2" main feed standard left+right
(alert documentation when built in production)



Feed Left:

Photos needed: 1/2" main feed left
(alert documentation when built in production)



Feed Right:

Photos needed: 1/2" main feed right
(alert documentation when built in production)