

COVERSHEET

Planned document changes:

Briefly:

POS.9 replaced by 6000352 (ZFSHL).
POS.29 replaced by 612018 (ZFSHL).

POS.26: add Loxeal 83-52.

Document changes:

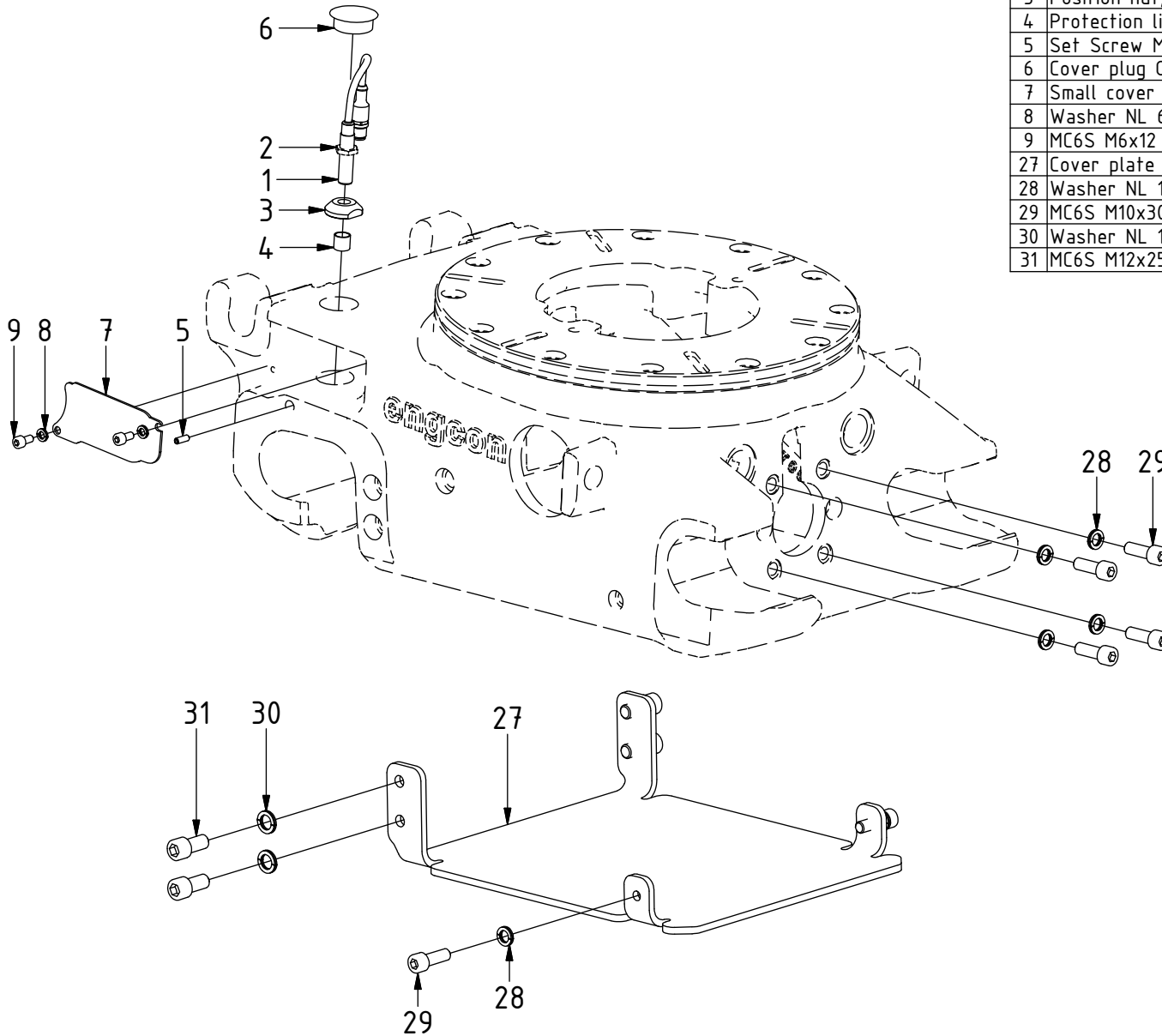
Date:	Change:	Rev. after change:
2021-03-09	Small cover plate replaced. Photos updated.	G
2020-08-24	Partslist item no corrected.	F
2020-04-01	Lock cylinder & hook replaced. Spare parts page added.	E
2019-10-16	Photo added.	D
2019-10-07	Layout/irrelevant.	C
2019-05-15	Layout/irrelevant.	B
2019-04-09	Loctite to sensor details added.	A
2019-03-14	New instruction.	-

QSM60 - Std components

EC214, EC219

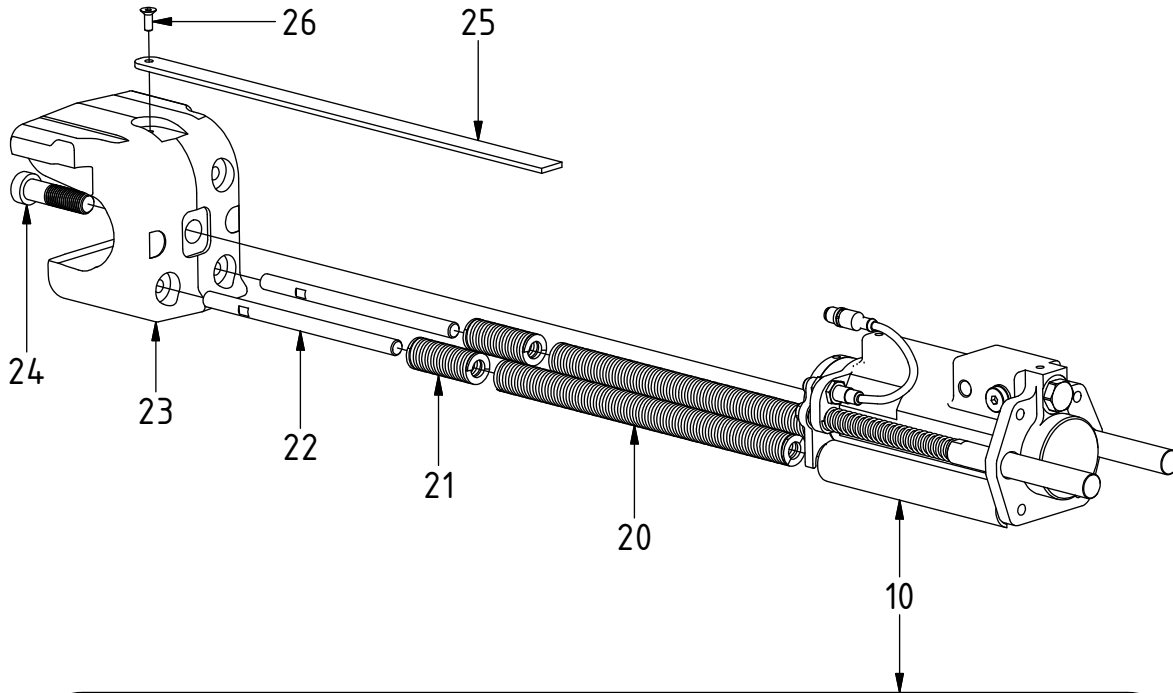
POS	DESCRIPTION	PART	QTY	COMMENTS
1	Inductive sensor QSM	1048262	2	Connect to slip ring QSM
2	Hex nut			(Included with sensor)
3	Position nut, inductive sensor	1029432	1	
4	Protection lid, inductive sensor	8000056	1	
5	Set Screw M8x16	610808	1	
6	Cover plug QS/ECO	8000068	1	
7	Small cover plate QSM60 V2	1058912	2	
8	Washer NL 6mm	611039	4	
9	MC6S M6x12 12.9	610412	4	
27	Cover plate QSM60	1047838	1	No cover plate for EC-Oil
28	Washer NL 10mm	611041	6	QTY: 4 for EC-Oil
29	MC6S M10x30 12.9	610452	6	QTY: 4 for EC-Oil
30	Washer NL 12mm	611042	4	
31	MC6S M12x25 12.9 ZFSHL	6000164	4	

POS in order of assembly



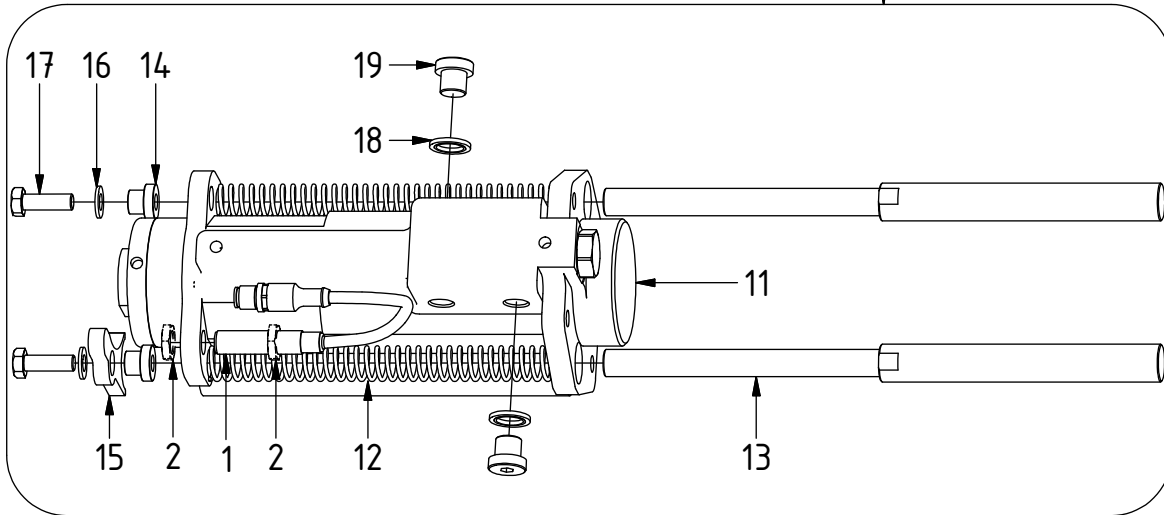
QSM60 - Std components

EC214, EC219



POS	DESCRIPTION	PART	QTY	COMMENTS
1	Inductive sensor QSM	1048262	2	Connect to slip ring QSM
2	Hex nut		2	(Included with sensor)
10	Lockcyl. QSM60 V4 Comp. Forged QSC	1052711	1	(POS.1, 11-19 included)
11	Lock cylinder QS60 V4 Forged	1045379	1	See "Lock cylinders"
12	Spring QS45/50/60 Ejectors 16x175	1049973	2	
13	Ejector QS60	1036405	2	
14	Spacer QS60	1036406	2	
15	Sensor plate	1036413	1	Assemble with sligth play
16	Flat Washer	611005	2	
17	Hex Head Screw 8x25	610124	2	Loctite 2700
18	Washer GBR04 1/4	710702	2	
19	Plug 1/4"	711505	2	
20	Spring 25x305	1024021	2	
21	Spring 25x64	1024022	2	
22	Steering S45	1025621	2	Loctite 6300
23	Hook V2 QS60 Cast	1046654	1	
24	Bolt MLC6S 16x60 10.9	610721	1	Loctite 2700
25	Indicator pin QS (610mm)	1036201	1	Cut to fit
26	Flat head socket screw 6x16	610604	1	

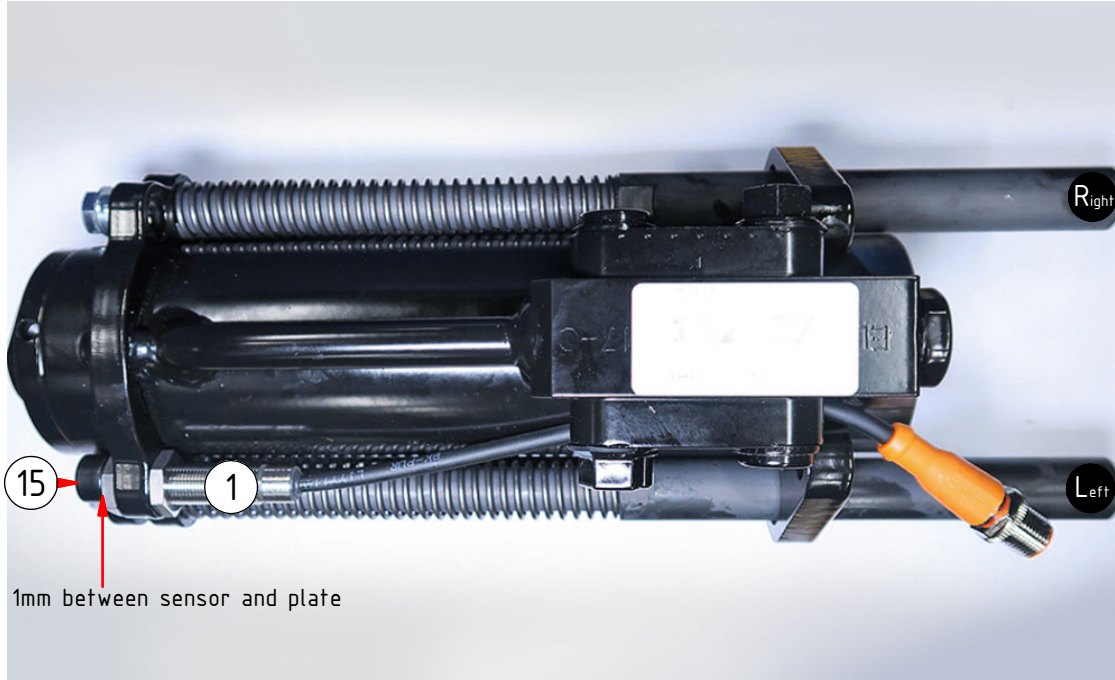
POS in: order of assembly



QSM60 - Std components

EC214, EC219

Sensor Cylinder:

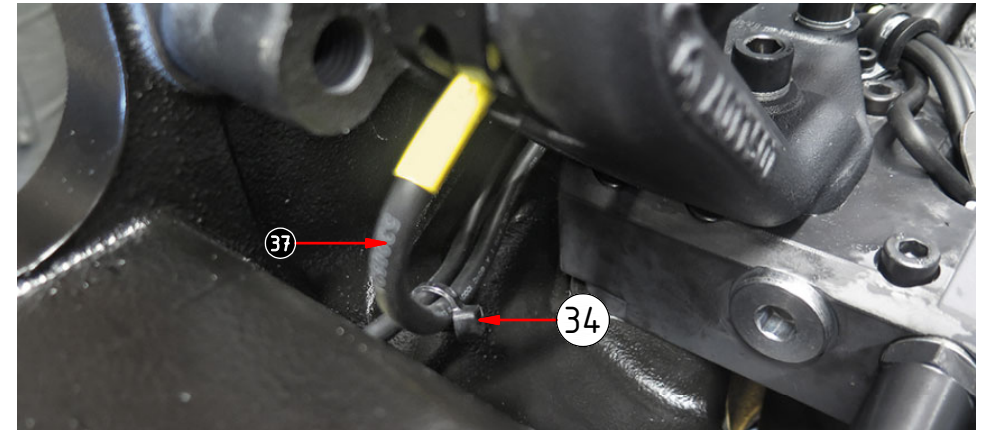


1mm between sensor and plate

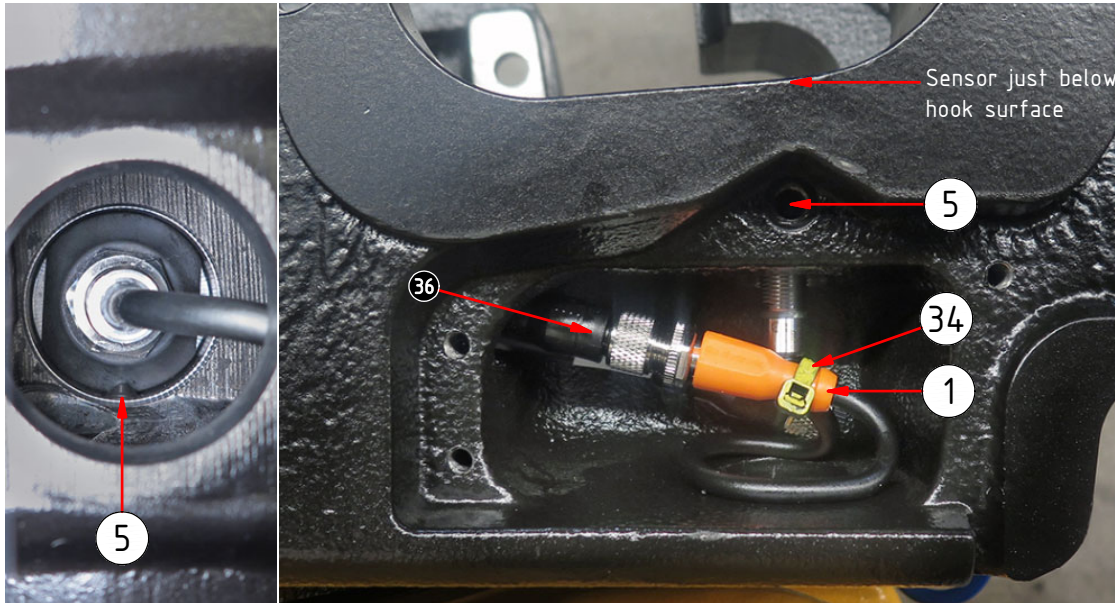
POS	DESCRIPTION	PART	QTY	COMMENTS
1	Inductive sensor QSM	1048262	2	Connect to slip ring QSM
5	Set Screw M8x16	610808	1	
15	Sensor plate	1036413	1	Assemble with sligth play
32	Rubber steel clamp 12	790155	1	
33	MC6S M5x16	610401	1	Loctite 2400
34	Cable tie 4,8x360	1021586	1	
35	Cable from slip ring (Ejector)			
36	Cable from slip ring (Hook)			
37	Cable from slip ring (ECO)			

POS in order of assembly

ECO Cable:

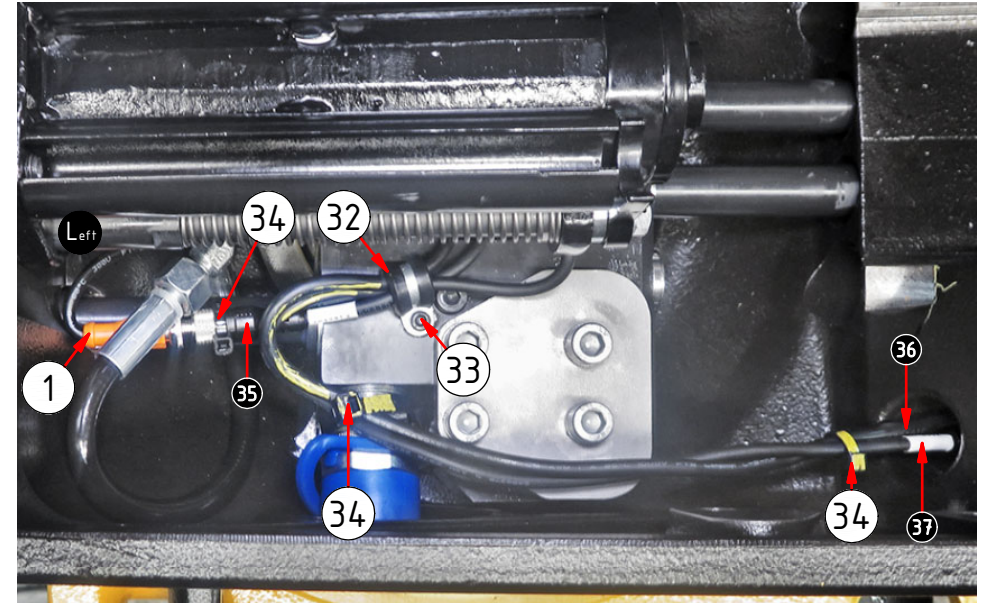


Sensor Hook:



Sensor just below hook surface

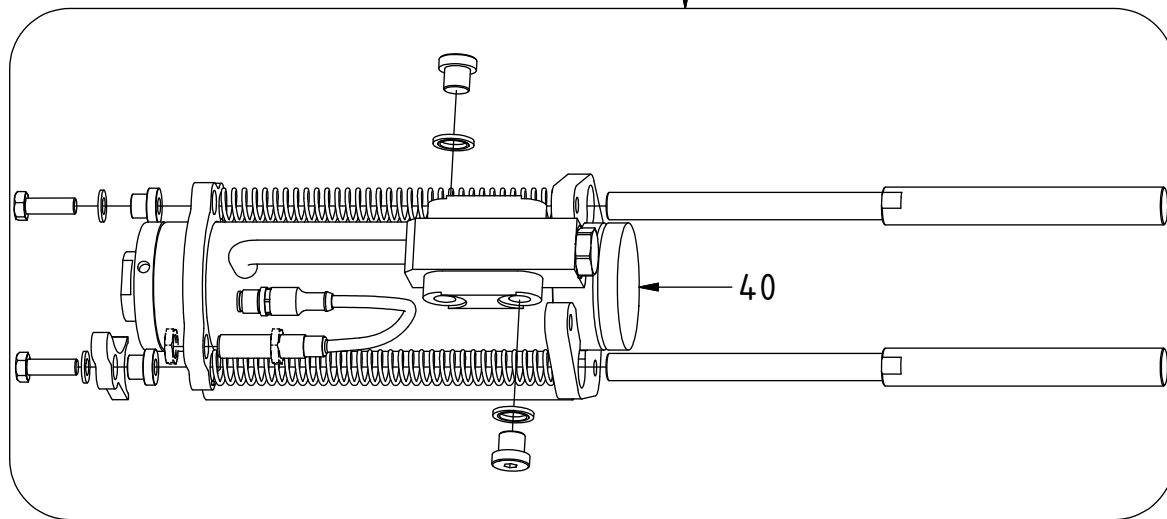
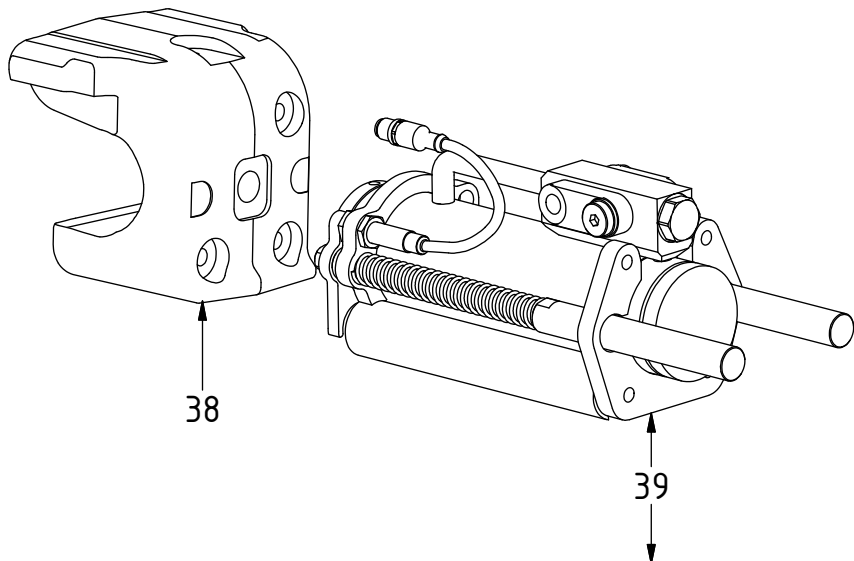
Sensor Cables:



Related spare parts

"V4 QSC" Replaced by "V4 QSC Forged" from 2020-01

POS	DESCRIPTION	PART	QTY	COMMENTS
7	Small cover plate QSM60 V2	1058912	2	
8	Washer NL 6mm	611039	4	
9	MC6S M6x12 12.9	610412	4	
10	Lockcyl. QSM60 V4 Comp. Forged QSC	1052711	1	(POS.1, 11-19 included)
11	Lock cylinder QS60 V4 Forged	1045379	1	See "Lock cylinders"
23	Hook V2 QS60 Cast	1046654	1	
38	Lock hook QS60 cast	1026154	1	Replaced by POS.23 from 2020-01
39	Lock cylinder V4 QSM60 Comp. QSC	1049881	1	Replaced by POS.10 from 2020-01 (POS.1, 12-19, 40 included)
40	Lock cylinder QS60 V4	1048617	1	Replaced by POS.11 from 2020-01
41	Small cover plate QSM60	1044173	2	Replaced by POS.7 from 2020-06



Replaced on EC214 from 2020-09
 Replaced on EC219 from 2020-06

