

GRD70

COVERSHEET

Planned document changes:

Briefly:

POS.1 replaced by 1064983.

Document changes:

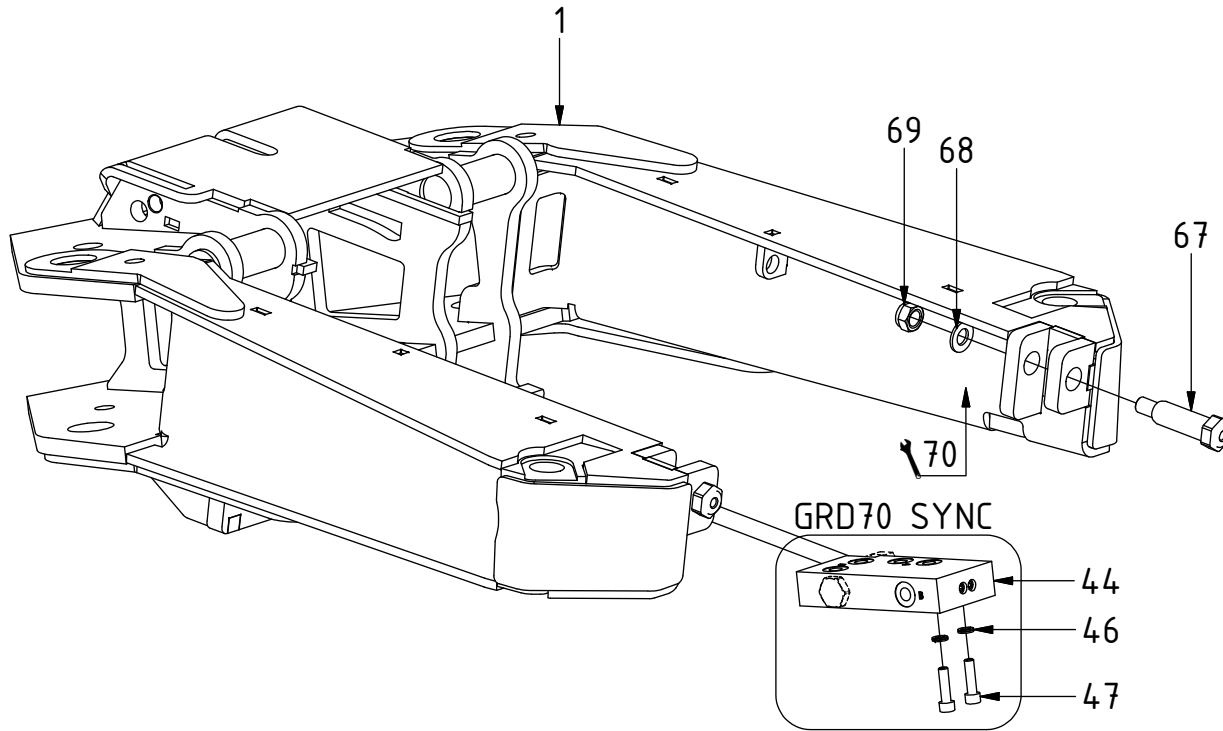
Date:	Change:	Rev. after change:
2021-06-01	Q-Block updated to V2.	E
2020-12-07	New hose for option SYNC added.	D
2019-11-05	SYNC added. Hoses & cylinder covers replaced.	C
2019-04-30	GRD70 hose kit corrected.	B
2019-03-19	Cylinders and covers replaced. Spare parts page added.	A
2018-09-13	New instruction.	-

GRD70

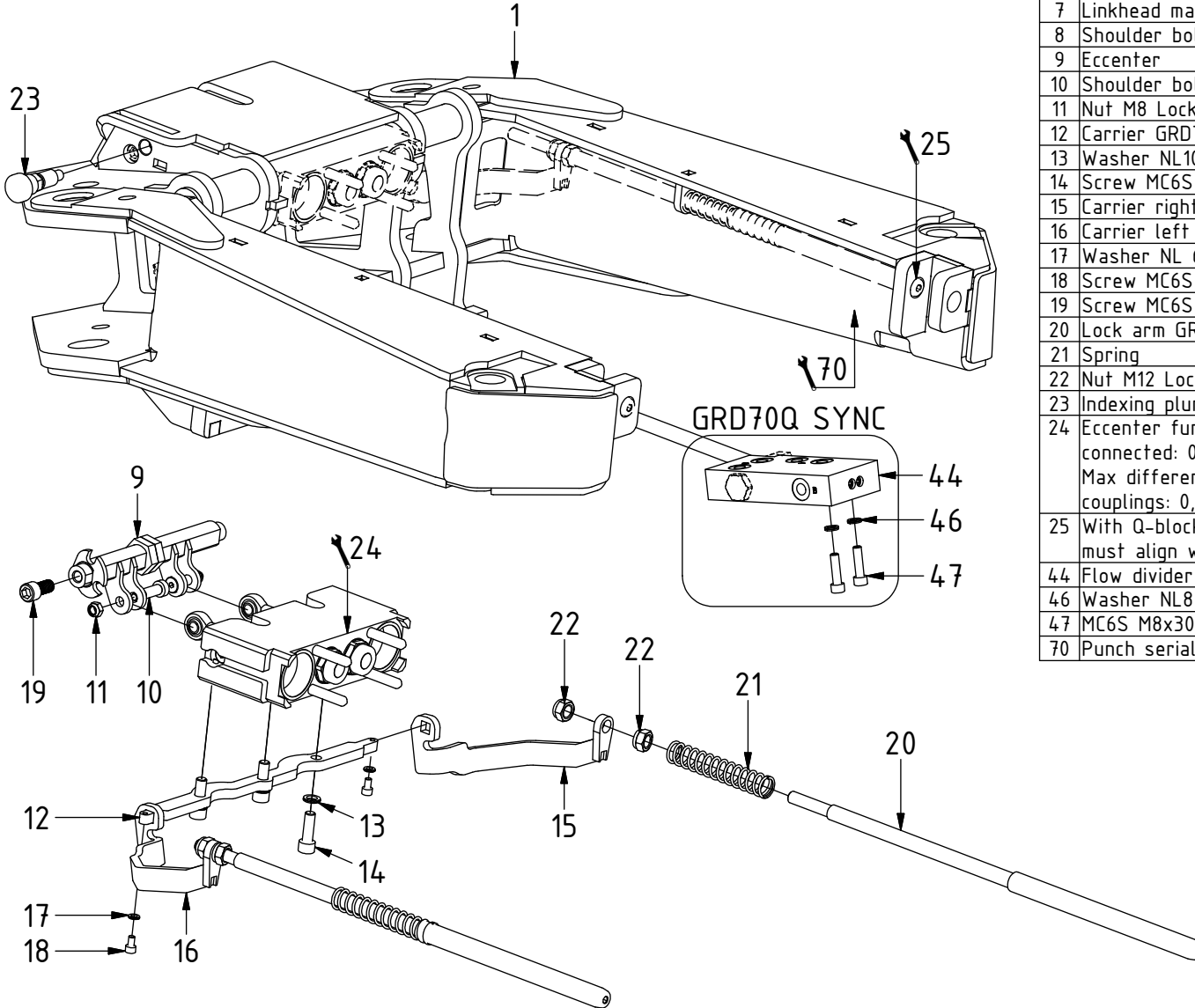
POS in order of assembly

GRD70

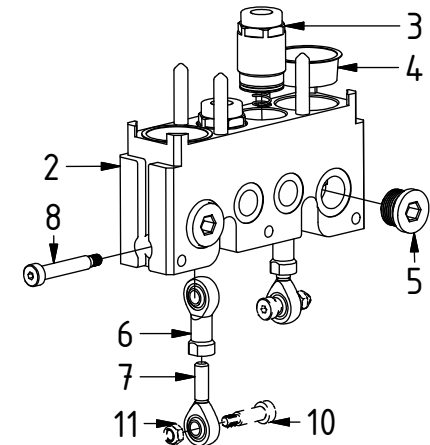
POS	DESCRIPTION	PART	QTY	COMMENTS
1	Frame GRD70	1044584	1	
44	Flow divider GRD Complete	7000840	1	
46	Washer NL8	611040	6	QTY: 8 for SYNC
47	MC6S M8x30 12.9 Geomet	611519	2	
67	Lock pin GRD20/GRD70	1050735	2	
68	Flat Washer	611008	2	
69	Hex. Nut M14 Nylon Lock	610925	2	
70	Punch serial number into frame			



GRD70Q



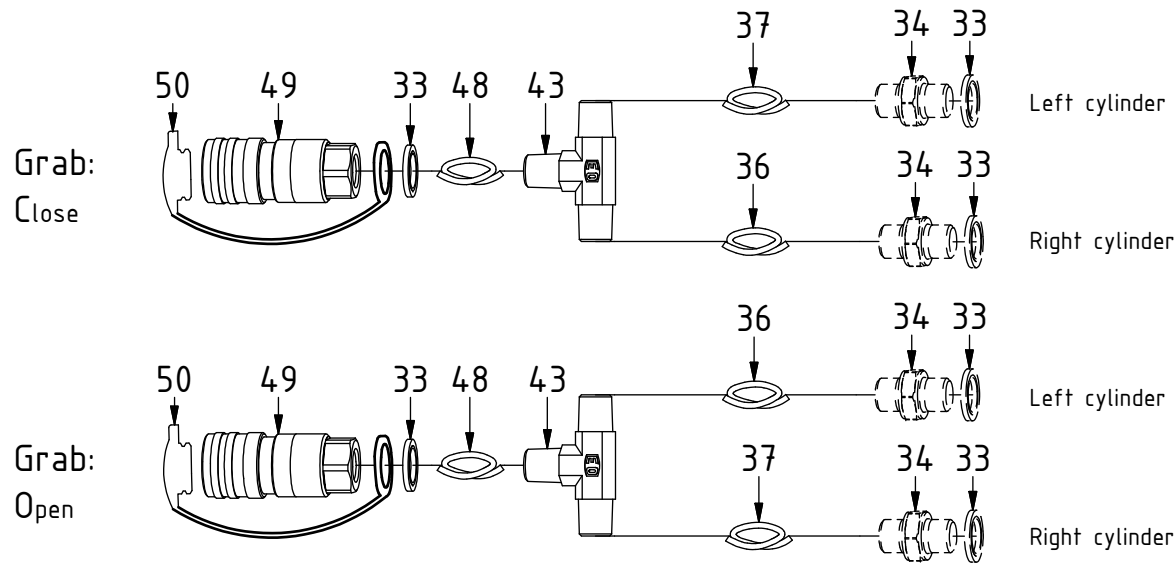
POS	DESCRIPTION	PART	QTY	COMMENTS
1	Frame GRD70	1044584	1	
2	Q-Block GRD70 V2	1057365	1	
3	ECO 60 1/2" male	1027633	2	Torque: 60Nm
4	Protection plug TECO70	7000157	2	
5	Plug 3/4"	711532	2	
6	Linkhead female	1033284	2	
7	Linkhead male	1033283	2	Unscrew 4 turns from bottomed
8	Shoulder bolt \varnothing 10x50/M8	6000124	2	Loctite 2700
9	Eccenter	1044839	1	
10	Shoulder bolt \varnothing 10x25/M8	611703	2	
11	Nut M8 Lock	610922	2	
12	Carrier GRD70	1044829	1	
13	Washer NL10	611041	3	
14	Screw MC6S 10x30	610452	3	
15	Carrier right	1044835	1	
16	Carrier left	1044834	1	
17	Washer NL 6mm	611039	2	
18	Screw MC6S 6x10	611512	2	
19	Screw MC6S 12x25	6000164	4	Loctite 2700
20	Lock arm GRD70	1044752	2	
21	Spring	1038209	2	
22	Nut M12 Lock	610924	4	
23	Indexing plunger	6000061	1	
24	Eccenter function distance when connected: 0,5-1,2mm. Max difference between couplings: 0,35mm			Measure both couplings. Adjust with linkheads
25	With Q-block retracted, lockpin must align with surface			
44	Flow divider GRD Complete	7000840	1	
46	Washer NL8	611040	6	QTY: 8 for SYNC
47	MC6S M8x30 12.9 Geomet	611519	2	
70	Punch serial number into frame			



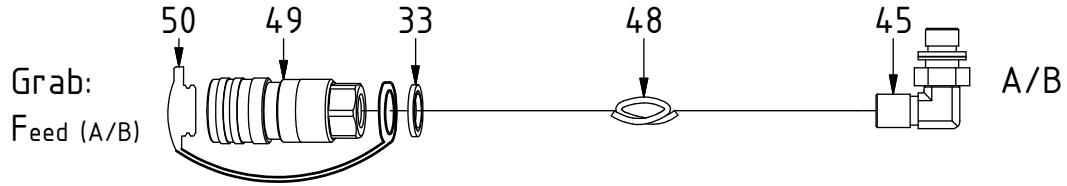
GRD70

POS	DESCRIPTION	PART	QTY	COMMENTS
33	Washer GBR04 1/4"	710702	12	
34	Adapter 138-04-29 1/4"	710135	4	
35	Hose kit GRD70	7000901	1	(POS.36-37 included)
36	Hose Grab Short	7000899	2	
37	Hose Grab Long	7000900	2	
43	Adapter 851-04-04	7000883	2	
48	Hose Grab Feed GRD	7001034	2	
49	Quick coupler 1/4" 2510 female	790110	2	
50	Dust protection 1/4" female	790116	2	

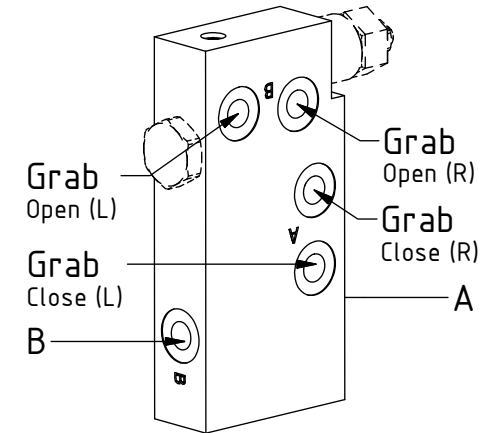
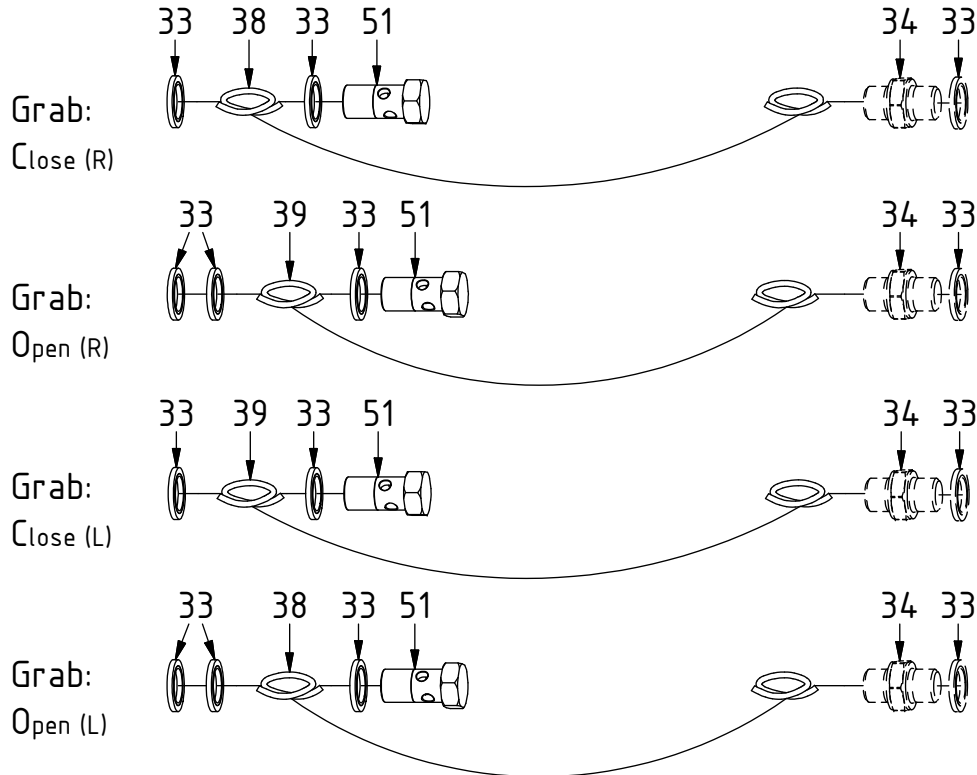
POS in order of assembly



GRD70 SYNC



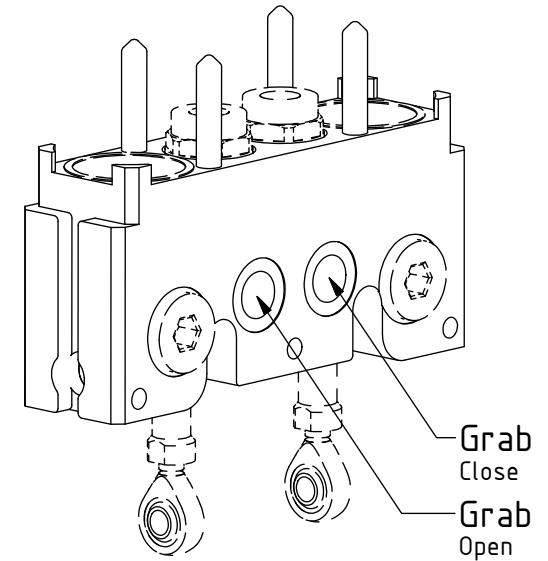
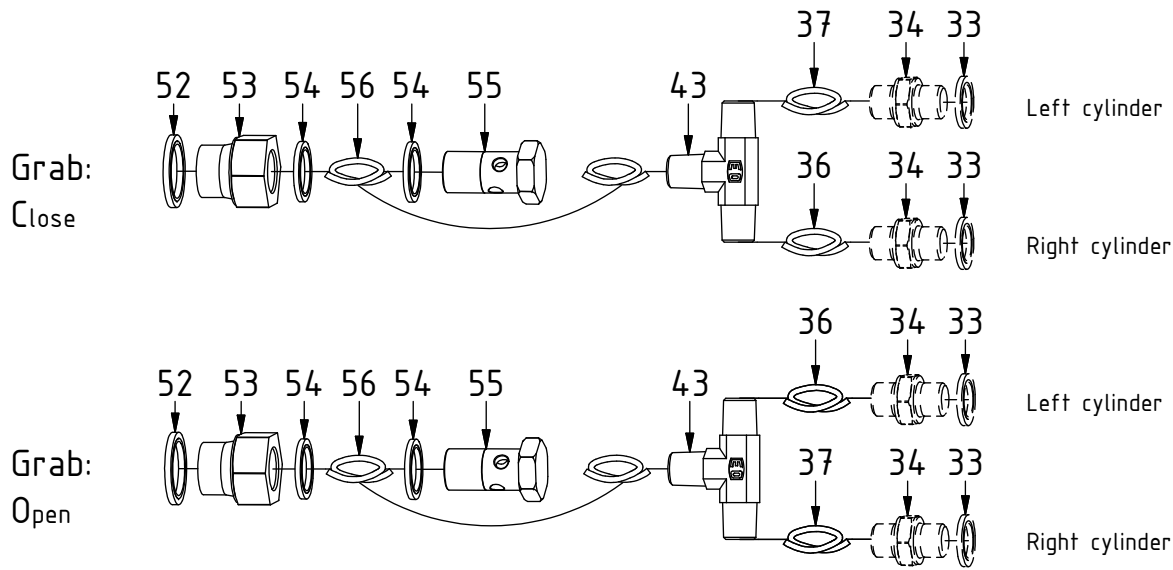
POS	DESCRIPTION	PART	QTY	COMMENTS
33	Washer GBR04 1/4"	710702	12	
34	Adapter 138-04-29 1/4"	710135	4	
38	Hose Grab Short SYNC	7001448	2	
39	Hose Grab Long SYNC	7001115	2	
43	Adapter 851-04-04	7000883	2	
48	Hose Grab Feed GRD	7001034	2	
49	Quick coupler 1/4" 2510 female	790110	2	
50	Dust protection 1/4" female	790116	2	
51	Banjo bolt 4451-04 (1/4")	710271	4	



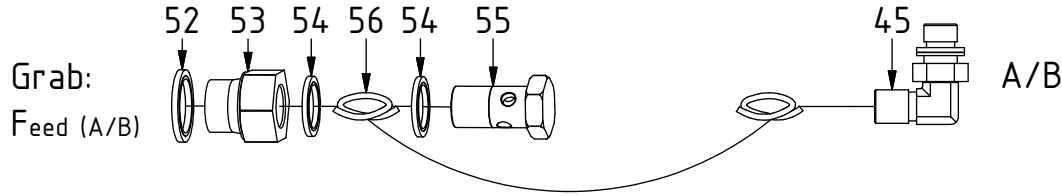
GRD70Q

POS	DESCRIPTION	PART	QTY	COMMENTS
33	Washer GBR04 1/4"	710702	12	
34	Adapter 138-04-29 1/4"	710135	4	
35	Hose kit GRD70	7000901	1	(POS.36-37 included)
36	Hose Grab Short	7000899	2	
37	Hose Grab Long	7000900	2	
43	Adapter 851-04-04	7000883	2	
52	Sealing washer 1/2"	710704	2	
53	Adapter 234-08-06 (1/2"-3/8")	710233	2	
54	Washer GBR06 3/8	710703	4	
55	Banjo bolt 4451-06 (3/8")	710272	2	
56	Hose Grab Feed GRD-Q	7001036	2	

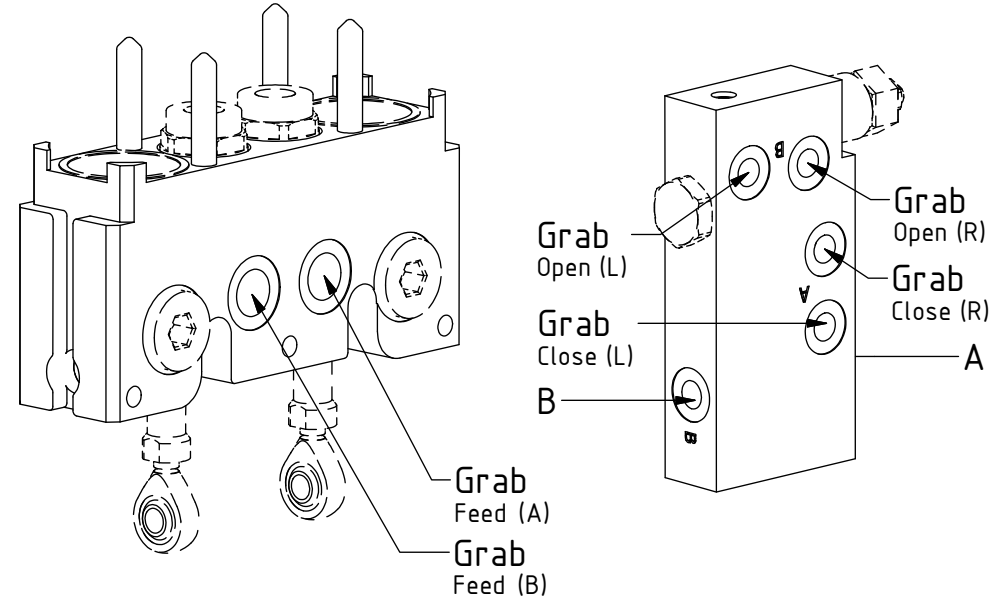
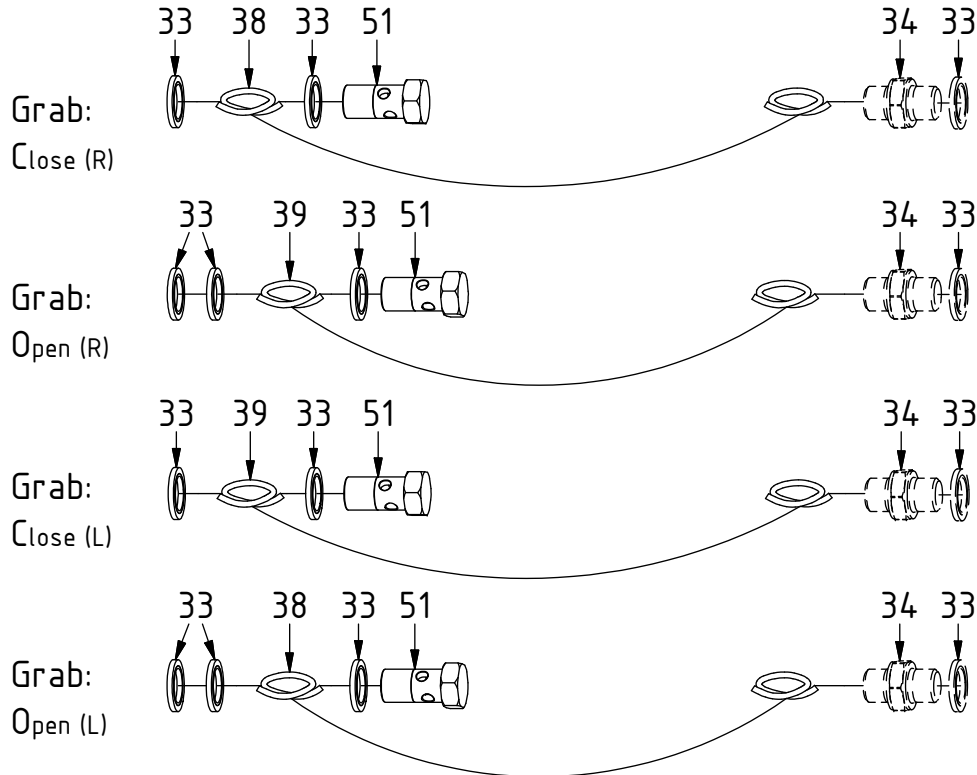
POS in order of assembly



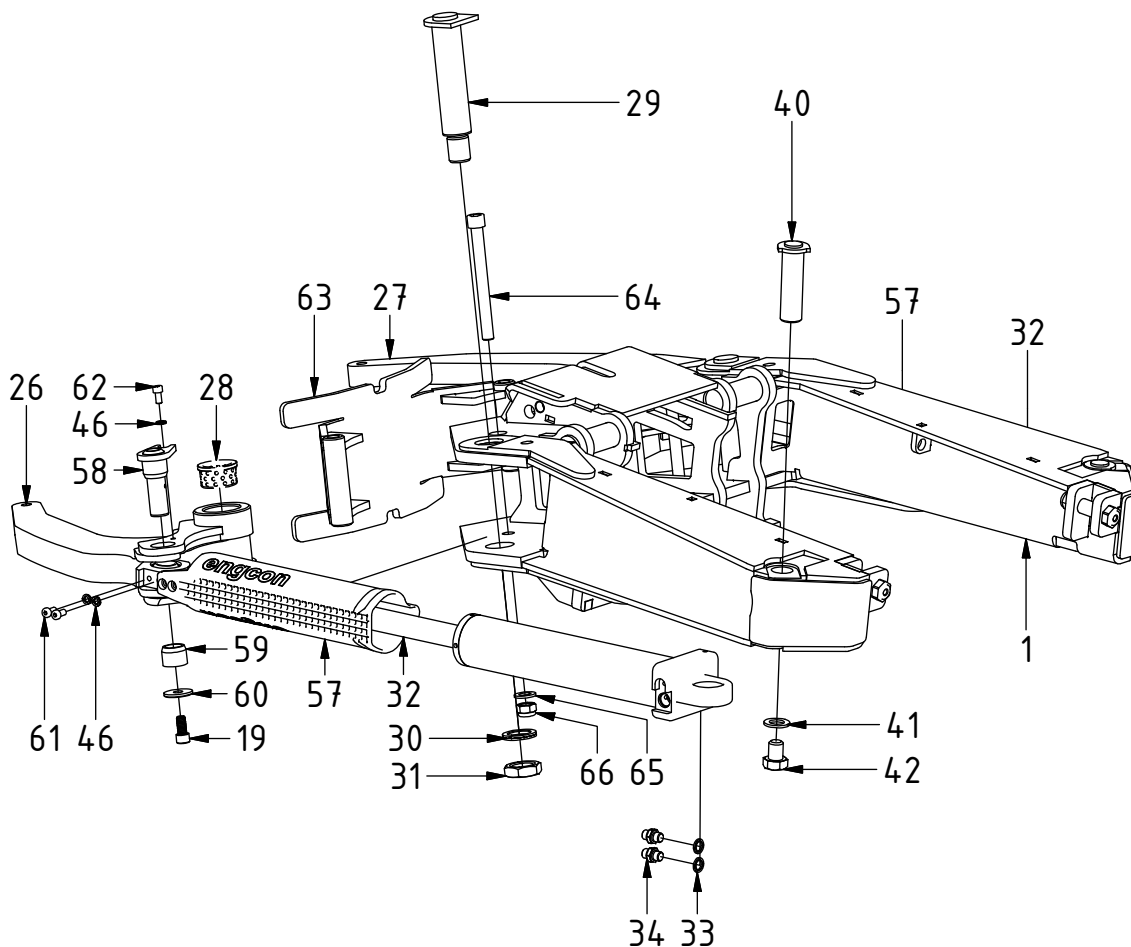
GRD70Q SYNC



POS	DESCRIPTION	PART	QTY	COMMENTS
33	Washer GBR04 1/4"	710702	12	
34	Adapter 138-04-29 1/4"	710135	4	
38	Hose Grab Short SYNC	7001448	2	
39	Hose Grab Long SYNC	7001115	2	
45	Adapter 401-04-04 90° (1/4")	710151	2	
51	Banjo bolt 4451-04 (1/4")	710271	4	
52	Sealing washer 1/2"	710704	2	
53	Adapter 234-08-06 (1/2"-3/8")	710233	2	
54	Washer GBR06 3/8	710703	4	
55	Banjo bolt 4451-06 (3/8")	710272	2	
56	Hose Grab Feed GRD-Q	7001036	2	



GRD70 & GRD70Q

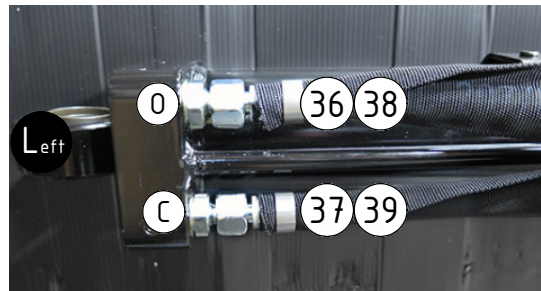
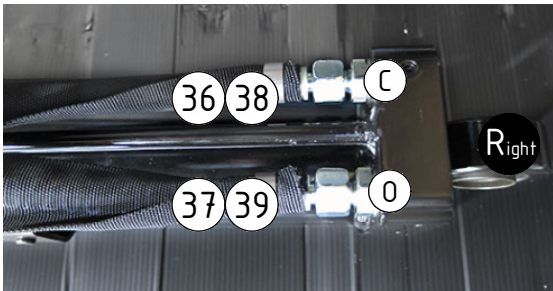
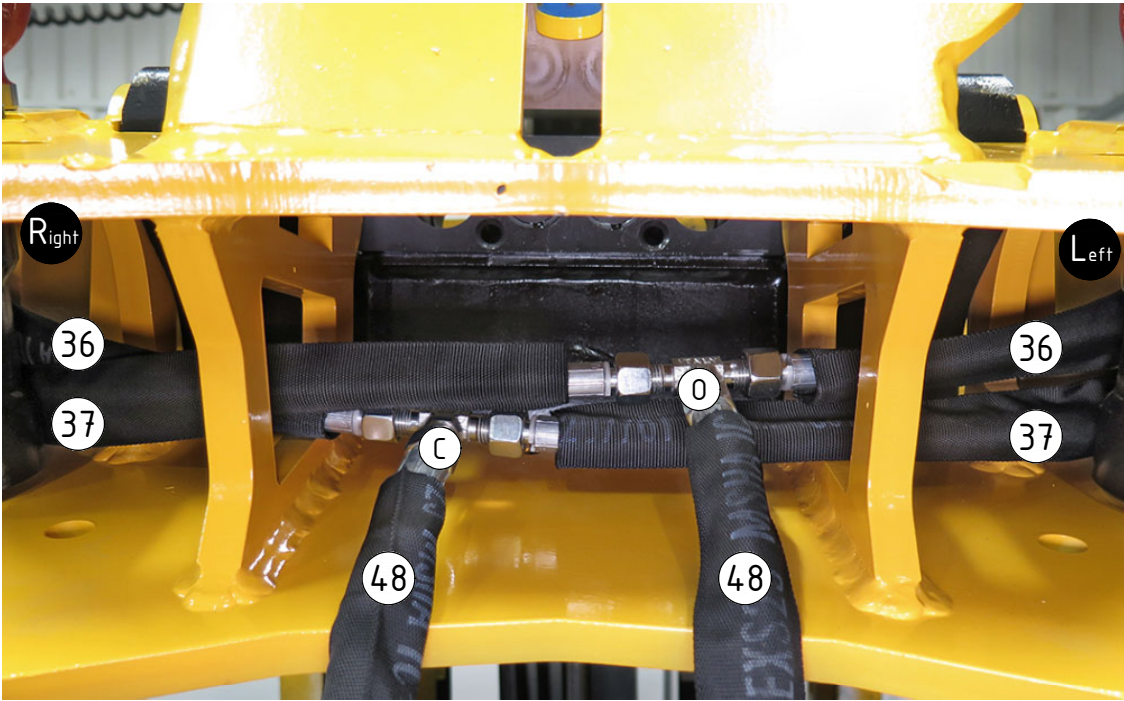


POS	DESCRIPTION	PART	QTY	COMMENTS
1	Frame GRD70	1044584	1	
19	Screw MC6S 12x25	6000164	4	Loctite 2700
26	Grab arm GRD70 Left	1044774	1	(POS.28 included)
27	Grab arm GRD70 Right	1044787	1	(POS.28 included)
28	Bushing	631001	4	
29	Axle grab arm	1044793	2	Torque: 64.9Nm
30	Washer NL 30mm	6000122	2	
31	Nut M30x2	6000059	2	Torque: 64.9Nm. Loctite 2700
32	Grab cylinder	1048549	2	
33	Washer GBR04 1/4"	710702	12	
34	Adapter 138-04-29 1/4"	710135	4	
40	Axle cylinder	1029217	2	
41	Washer BRB FZB 21x36x3	611010	2	
42	Screw M6S 20x25 FZB	6000054	2	Loctite 2700
46	Washer NL8	611040	6	QTY: 8 for SYNC
57	Cylinder cover	1051368	2	
58	Axle grab arm/cylinder	1034640	2	
59	Sleeve axle	1034641	2	
60	Washer 13x40x4	6000056	2	
61	MLC6S M8x16 10.9 FZB	6000220	4	
62	Screw MC6S 8x16	610432	2	
63	Grab support GRD70	1044723	1	
64	Screw MC6S 16x160	610536	2	
65	Flat Washer	611009	2	
66	Hex Nut M16 Lock	610926	2	

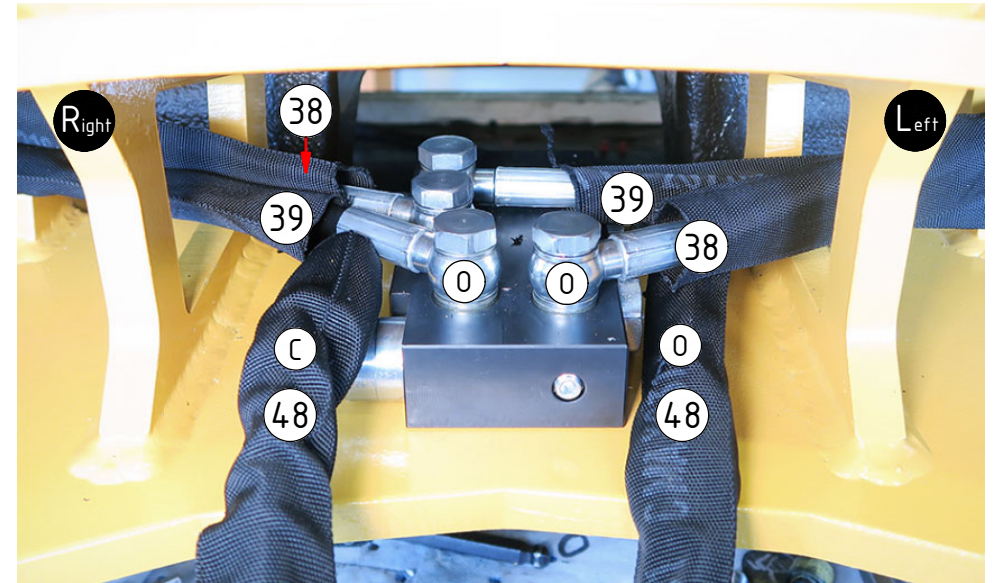
POS in order of assembly

POS	DESCRIPTION	PART	QTY	COMMENTS
35	Hose kit GRD70	7000901	1	(POS.36-37 included)
36	Hose Grab Short	7000899	2	
37	Hose Grab Long	7000900	2	
38	Hose Grab Short SYNC	7001448	2	
39	Hose Grab Long SYNC	7001115	2	
48	Hose Grab Feed GRD	7001034	2	

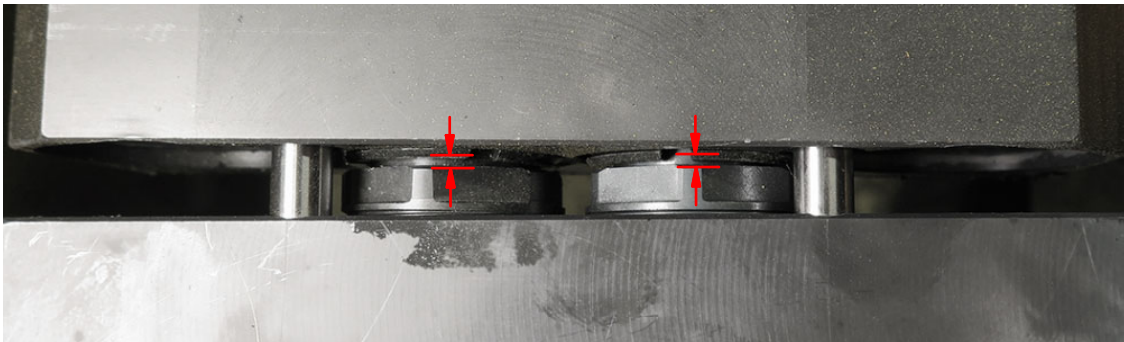
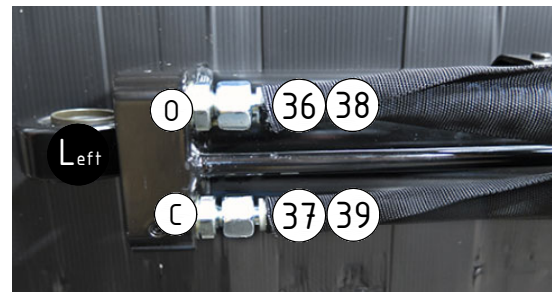
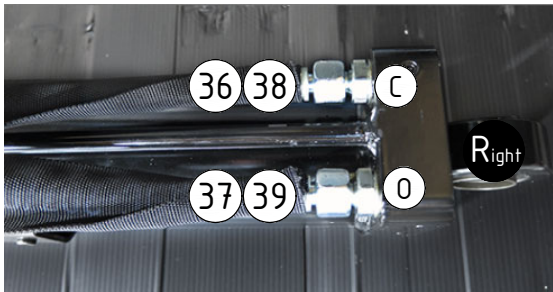
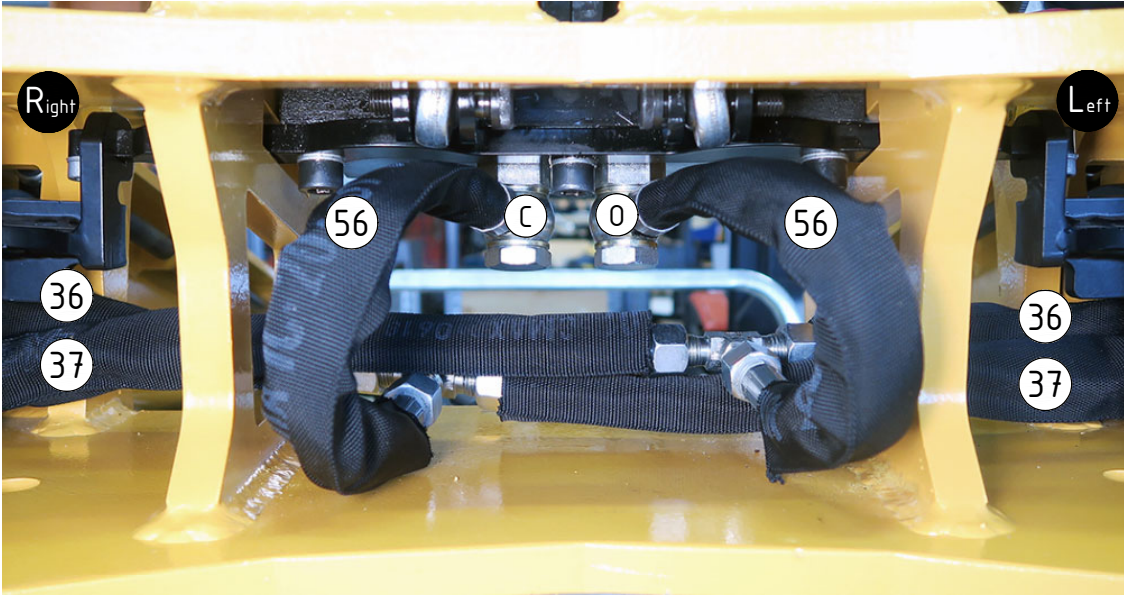
GRD70



GRD70 SYNC



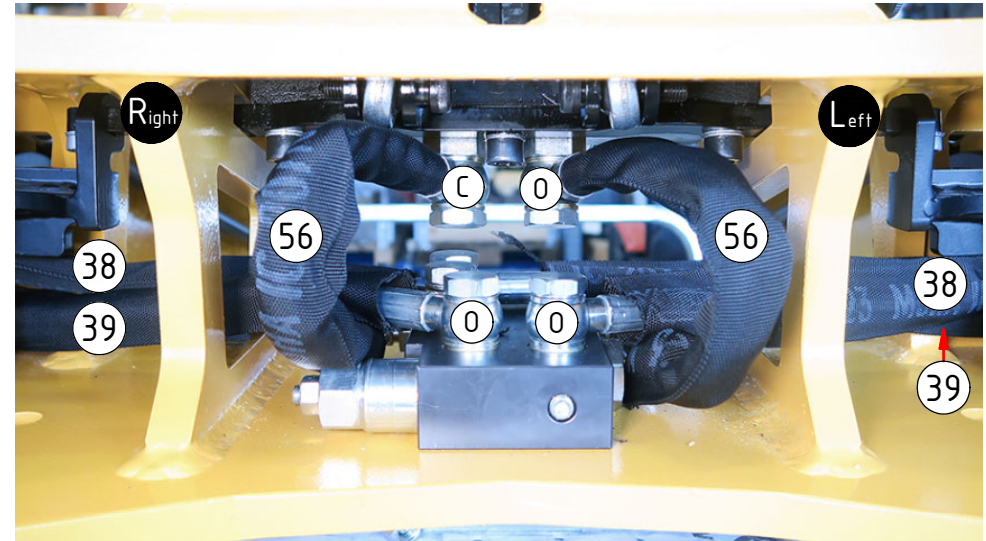
GRD70Q



POS	DESCRIPTION	PART	QTY	COMMENTS
24	Eccenter function distance when connected: 0,5-1,2mm. Max difference between couplings: 0,35mm			Measure both couplings. Adjust with linkheads
35	Hose kit GRD70	7000901	1	(POS.36-37 included)
36	Hose Grab Short	7000899	2	
37	Hose Grab Long	7000900	2	
38	Hose Grab Short SYNC	7001448	2	
39	Hose Grab Long SYNC	7001115	2	
56	Hose Grab Feed GRD-Q	7001036	2	

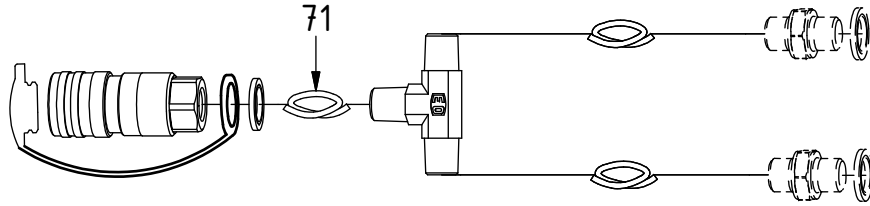
POS in order of assembly

GRD70Q SYNC



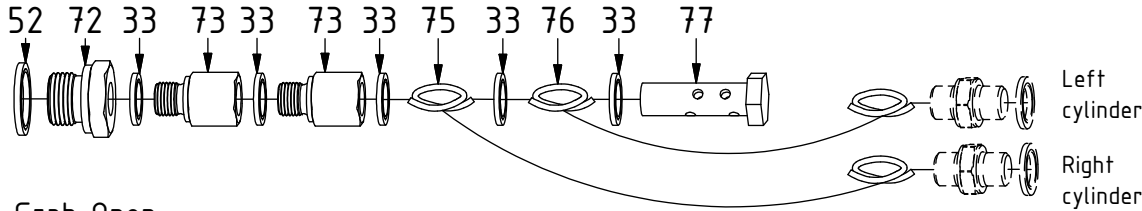
Related spare parts

GRD70:
Replaced from 2019-10

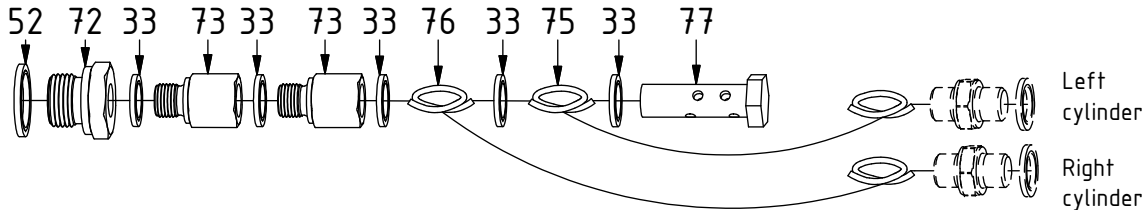


GRD70Q:
Used until 2019-10

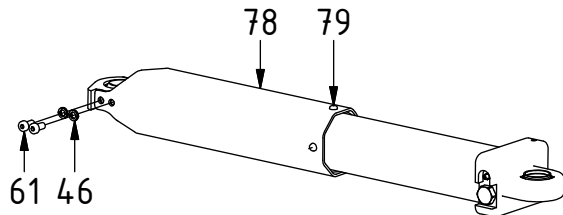
Grab Close:



Grab Open:



GRD70 & GRD70Q:
Used until 2019-07



POS	DESCRIPTION	PART	QTY	COMMENTS
32	Grab cylinder	1048549	2	
33	Washer GBR04 1/4"	710702	12	
36	Hose Grab Short	7000899	2	
37	Hose Grab Long	7000900	2	
46	Washer NL8	611040	6	QTY: 8 for SYNC
48	Hose Grab Feed GRD	7001034	2	
52	Sealing washer 1/2"	710704	2	
57	Cylinder cover	1051368	2	
61	MLC6S M8x16 10.9 FZB	6000220	4	
71	Hose Grab Feed	743003	2	Replaced by POS.48 from 2019-10
72	Adapter 234-08-04 1/4"	710232	2	
73	Adapter 236-04-04 1/4"	1013885	4	
74	Hose kit GRD70Q	7000732	1	(POS.75-76 included)
75	Hose Grab Short	7000730	2	Replaced by POS.36 from 2019-10
76	Hose Grab Long	7000731	2	Replaced by POS.37 from 2019-10
77	Banjobolt Extended 4450-04-00	712214	2	
78	Cylinder cover	1051150	2	Replaced by POS.57 from 2019-07 (POS.79 included)
79	Spacer	400635	10	
80	Grab cylinder left	1045040	1	Replaced by POS.32 from 2019-04
81	Grab cylinder right	1045041	1	Replaced by POS.32 from 2019-04
82	Cylinder cover left	1048578	1	Replaced by POS.78 from 2019-04
83	Cylinder cover right	1048579	1	Replaced by POS.78 from 2019-04
84	Screw MC6S 8x20	610433	4	Loctite 2400

GRD70 & GRD70Q:
Used until 2019-04

