

# GRD70

## COVERSHEET

### Planned document changes:

**Briefly:**

---

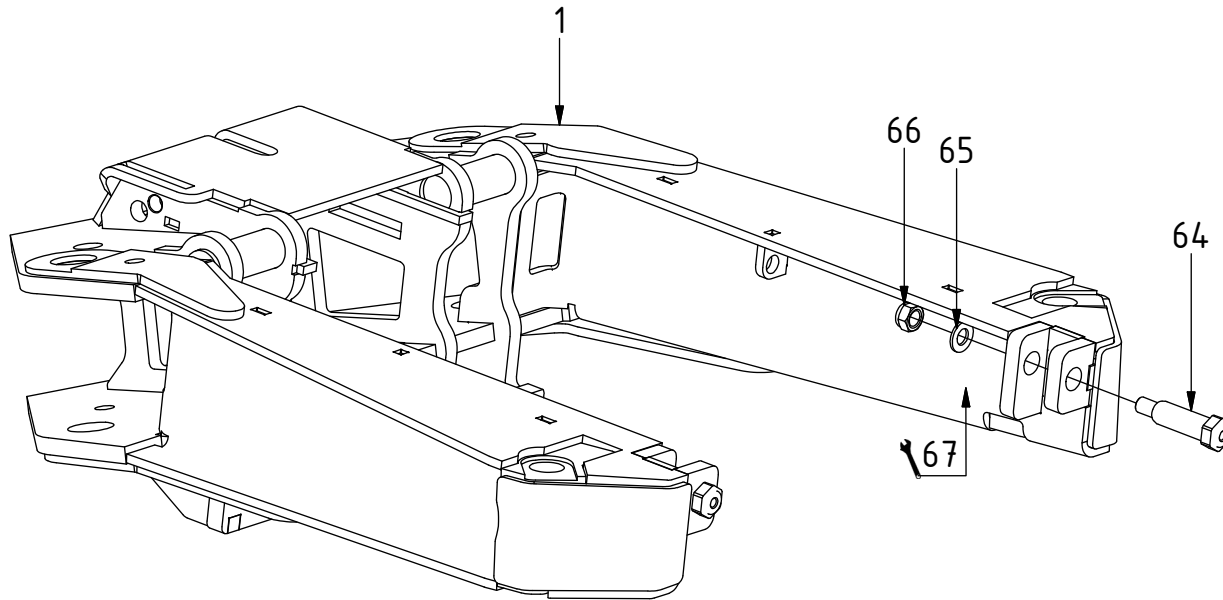
No planned changes.

### Document changes:

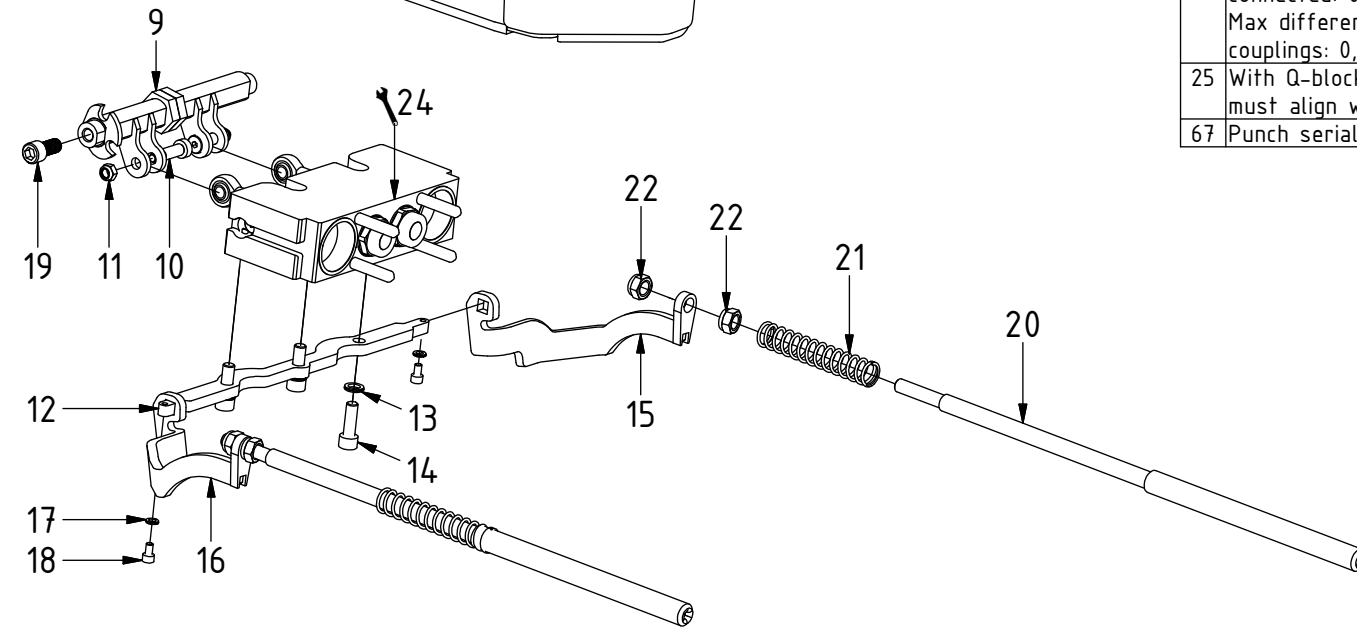
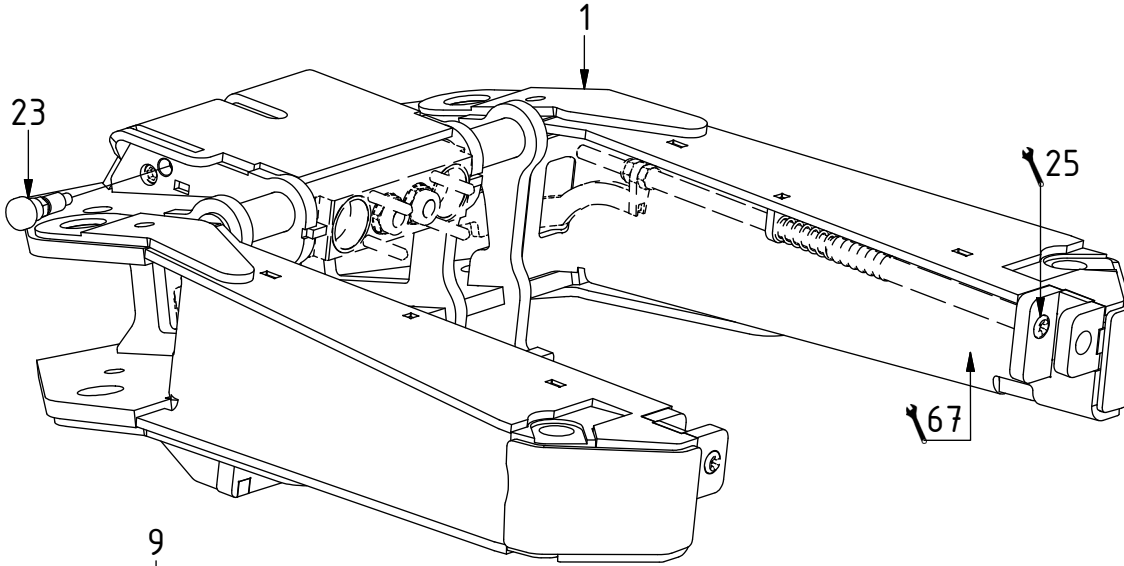
<b>Date:</b>	<b>Change:</b>	<b>Rev. after change:</b>
2019-04-30	GRD70 hose kit corrected.	B
2019-03-19	Cylinders and covers replaced. Spare parts page added.	A
2018-09-13	New instruction.	-

GRD70:

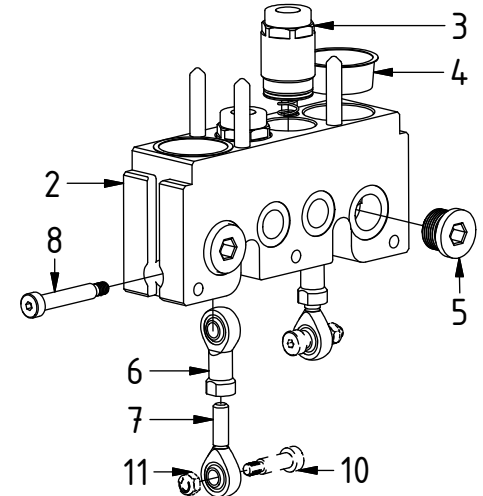
POS	DESCRIPTION	PART	QTY	COMMENTS
1	Frame GRD70	1044584	1	
64	Lock pin GRD20/GRD70	1050735	2	
65	Flat Washer	611008	2	
66	Hex. Nut M14 Nylon Lock	610925	2	
67	Punch serial number into frame			



GRD70Q:



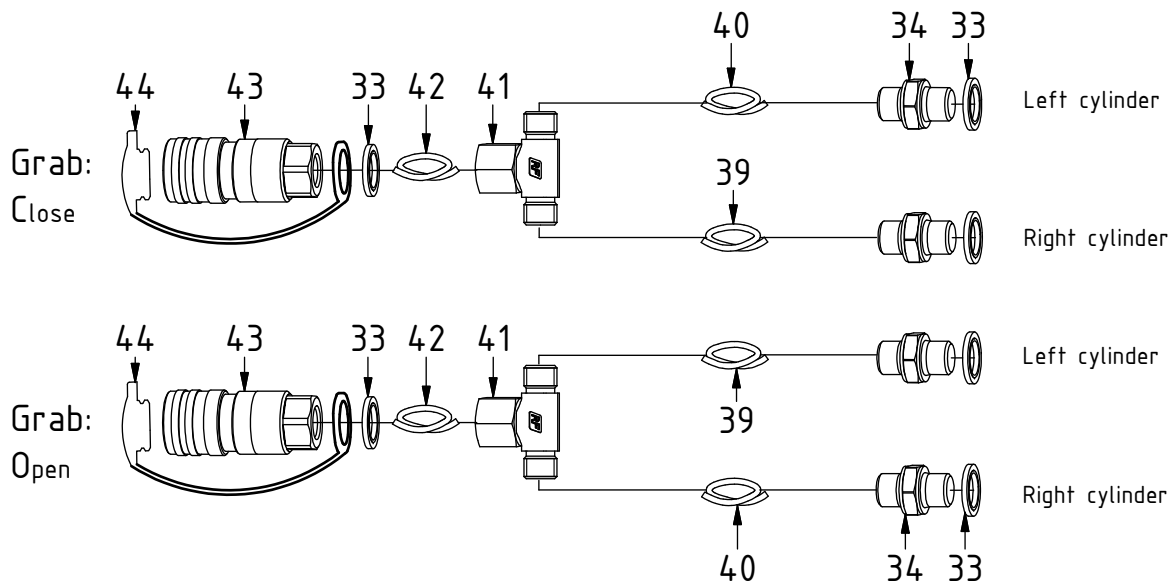
POS	DESCRIPTION	PART	QTY	COMMENTS
1	Frame GRD70	1044584	1	
2	Q-Block GRD70	1044817	1	
3	ECO 60 1/2" male	1027633	2	Torque: 60Nm
4	Protection plug TECO70	7000157	2	
5	Plug 3/4"	711532	2	
6	Linkhead female	1033284	2	
7	Linkhead male	1033283	2	
8	Shoulder bolt $\varnothing$ 10x50/M8	6000124	2	Loctite 2700
9	Eccenter	1044839	1	
10	Shoulder bolt $\varnothing$ 10x25/M8	611703	2	
11	Nut M8 Lock	610922	4	
12	Carrier GRD70	1044829	1	
13	Washer NL10	611041	3	
14	Screw MC6S 10x30	610452	3	
15	Carrier right	1044835	1	
16	Carrier left	1044834	1	
17	Washer NL 6mm	611039	2	
18	Screw MC6S 6x10	611512	2	
19	Screw MC6S 12x25	610473	4	Loctite 2700
20	Lock arm GRD70	1044752	2	
21	Spring	1038209	2	
22	Nut M12 Lock	610924	4	
23	Indexing plunger	6000061	1	
24	Eccenter function distance when connected: 0,5-1,2mm. Max difference between couplings: 0,35mm			Measure both couplings. Adjust with linkheads
25	With Q-block retracted, lockpin must align with surface			
67	Punch serial number into frame			



GRD70:

POS	DESCRIPTION	PART	QTY	COMMENTS
33	Washer GBR04 1/4"	710702	12	
34	Adapter 138-04-29 1/4"	710135	4	
38	Hose kit GRD70	7000901	1	(POS.39, 40, 42 included)
39	Hose Grab Short	7000899	2	
40	Hose Grab Long	7000900	2	
41	Adapter 851-04-04	7000883	2	
42	Hose Grab Feed	743003	2	
43	Quick coupler 1/4" 2510 female	790110	2	
44	Dust protection 1/4" female	790116	2	

POS in order of assembly

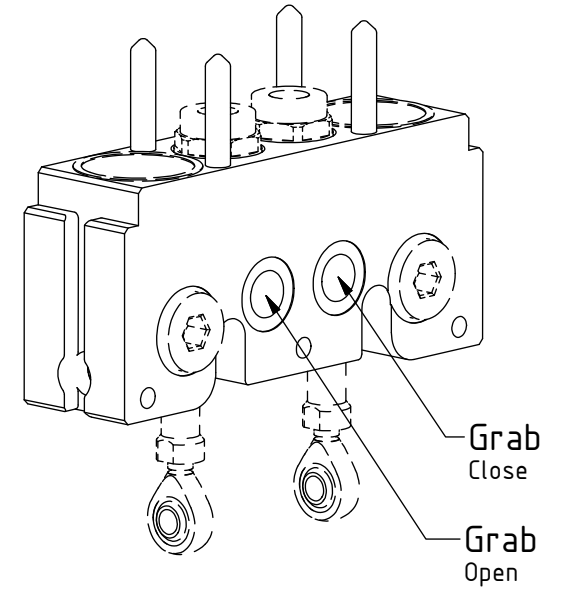
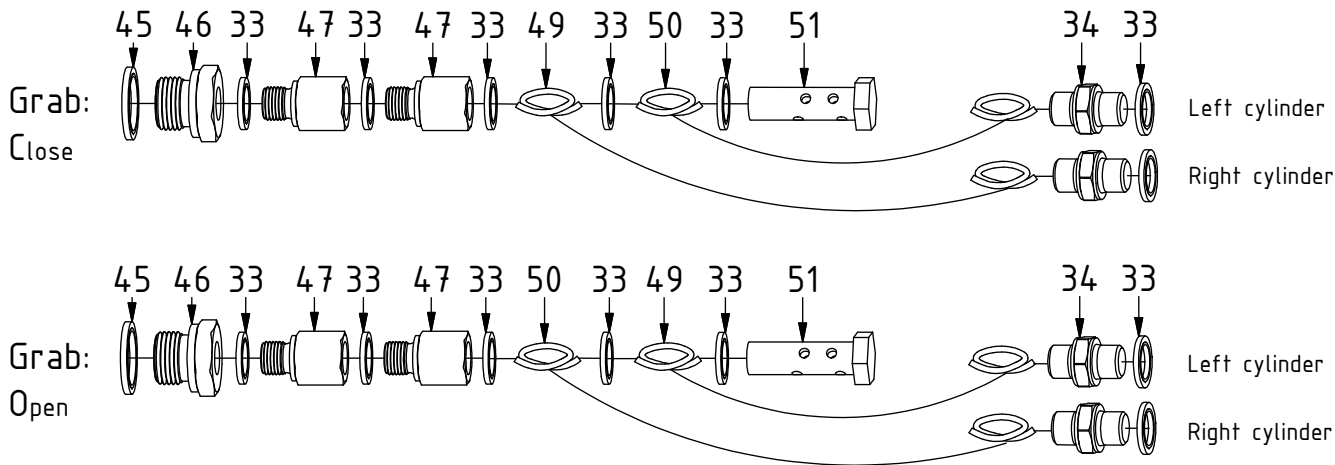


# GRD70

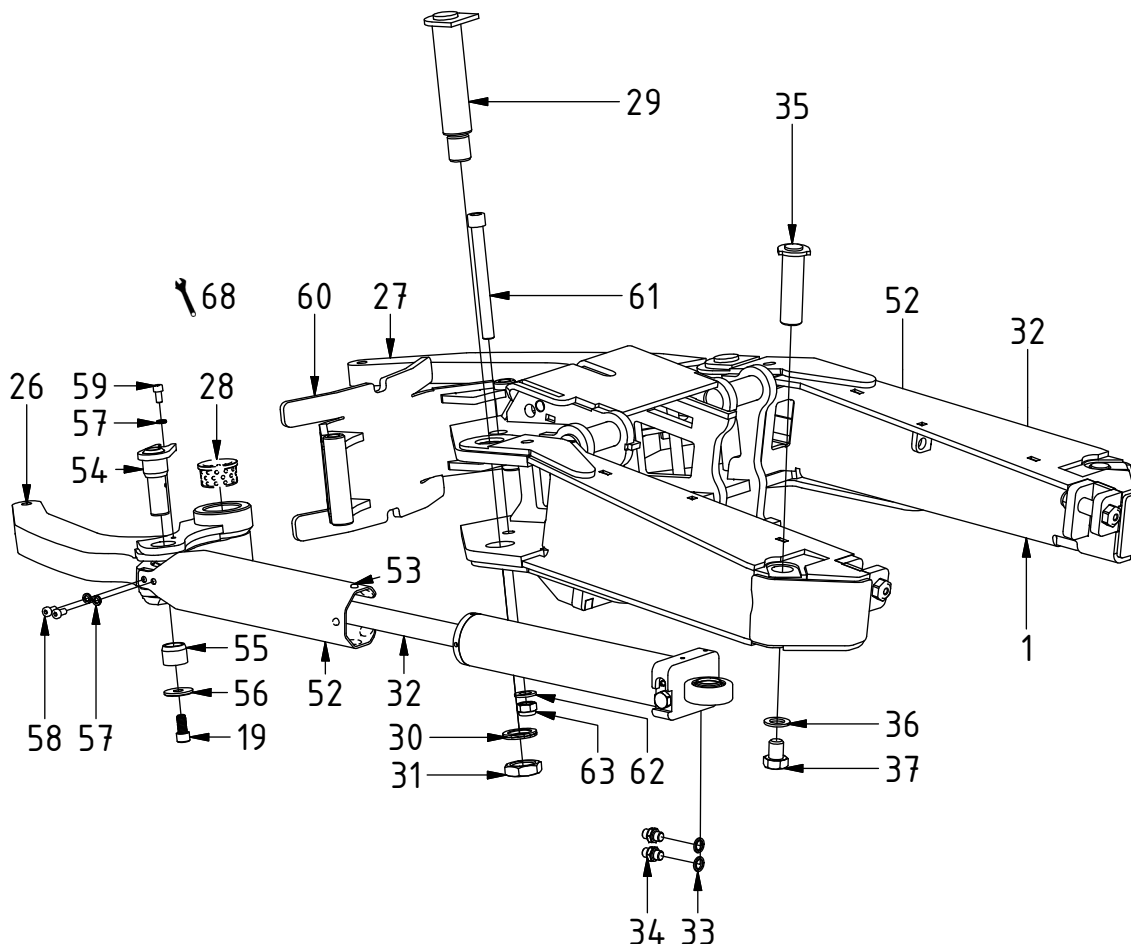
## GRD70Q:

POS	DESCRIPTION	PART	QTY	COMMENTS
33	Washer GBR04 1/4"	710702	12	
34	Adapter 138-04-29 1/4"	710135	4	
45	Sealing washer 1/2"	710704	2	
46	Adapter 234-08-04 1/4"	710232	2	
47	Adapter 236-04-04 1/4"	1013885	4	
48	Hose kit GRD70Q	7000732	1	(POS.49-50 included)
49	Hose Grab Short	7000730	2	
50	Hose Grab Long	7000731	2	
51	Banjobolt Extended 4450-04-00	712214	2	

POS in order of assembly



## GRD70 & GRD70Q:



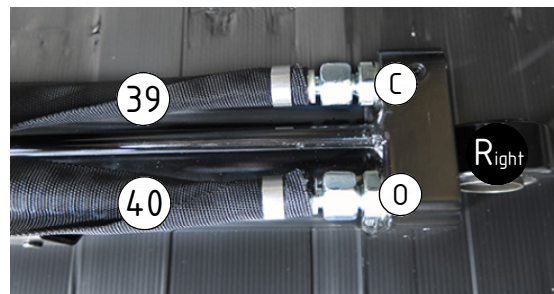
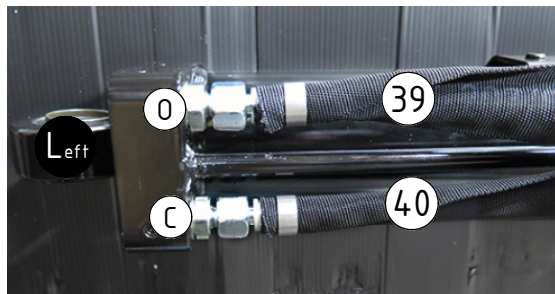
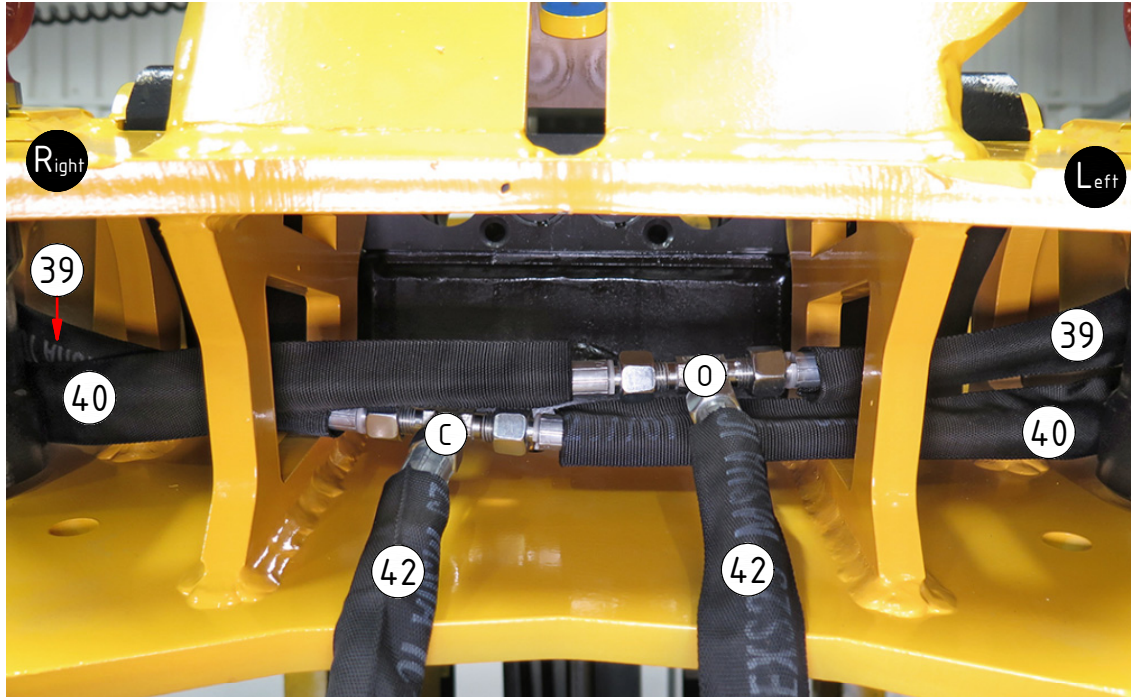
POS	DESCRIPTION	PART	QTY	COMMENTS
1	Frame GRD70	1044584	1	
19	Screw MC6S 12x25	610473	4	Loctite 2700
26	Grab arm GRD70 Left	1044774	1	(POS.28 included)
27	Grab arm GRD70 Right	1044787	1	(POS.28 included)
28	Bushing	631001	4	
29	Axle grab arm	1044793	2	Torque: 649Nm
30	Washer NL 30mm	6000122	2	
31	Nut M30x2	6000059	2	Torque: 649Nm
32	Grab cylinder	1048549	2	
33	Washer GBR04 1/4"	710702	12	
34	Adapter 138-04-29 1/4"	710135	4	
35	Axle cylinder	1029217	2	
36	Washer BRB FZB 21x36x3	611010	2	
37	Screw M6S 20x25 FZB	6000054	2	Loctite 2700
52	Cylinder cover	1051150	2	(POS.53 included)
53	Spacer	400635	10	
54	Axle grab arm/cylinder	1034640	2	
55	Sleeve axle	1034641	2	
56	Washer 13x40x4	6000056	2	
57	Washer NL8	611040	4	
58	MLC6S M8x16 10.9 FZB	6000220	4	
59	Screw MC6S 8x16	610431	2	
60	Grab support GRD70	1044723	1	
61	Screw MC6S 16x160	610536	2	
62	Flat Washer	611009	2	
63	Hex Nut M16 Lock	610926	2	
68	GRD70 must be delivered with grab arms slightly open			Distance 0mm between tips

POS in order of assembly

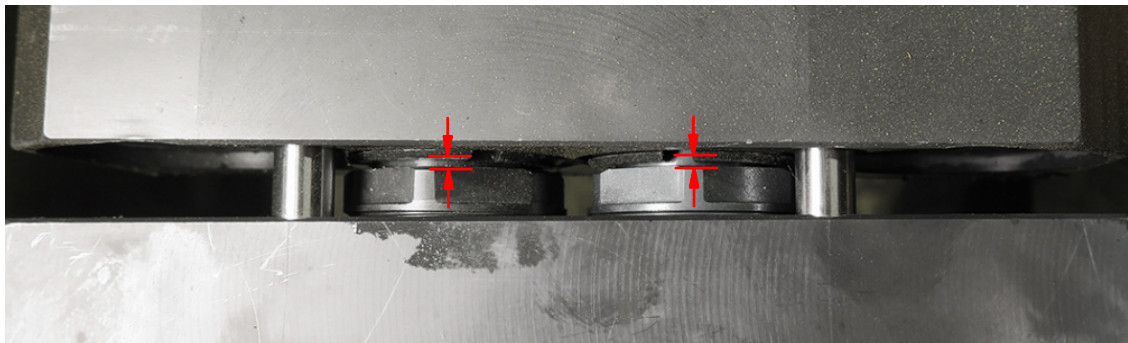
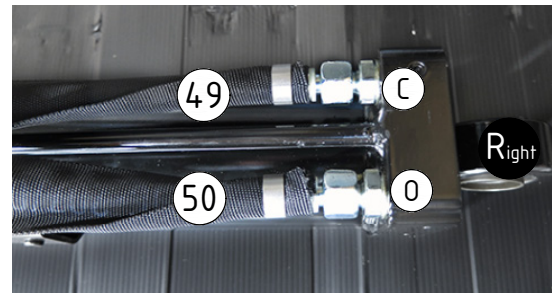
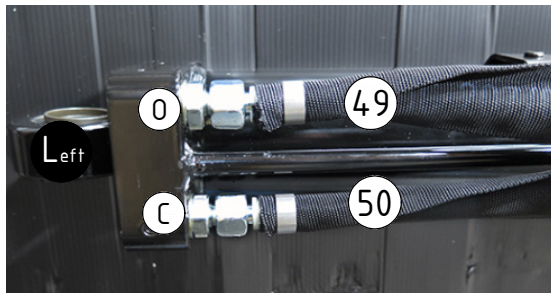
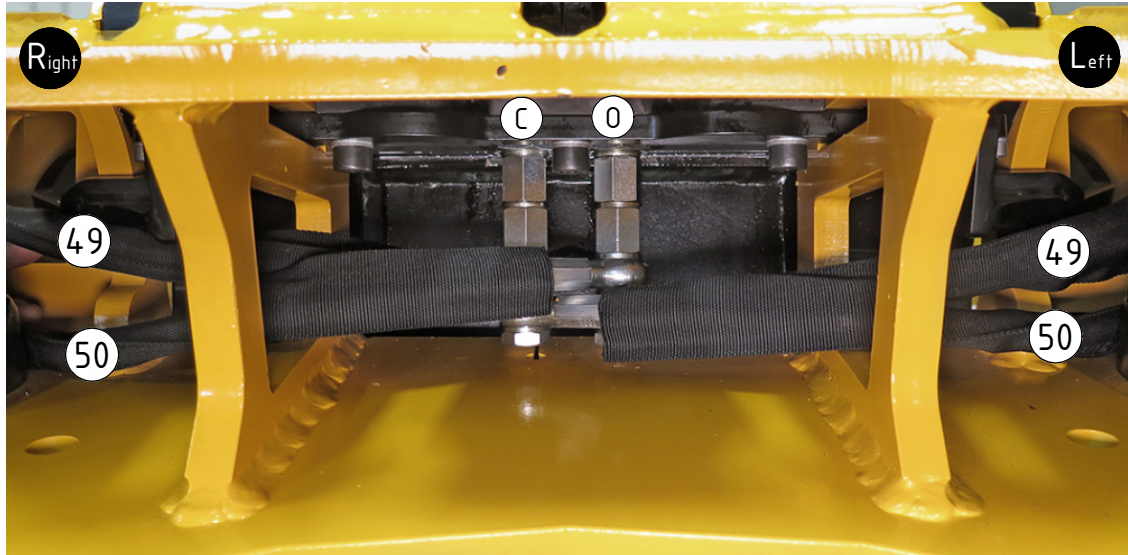
GRD70:

POS	DESCRIPTION	PART	QTY	COMMENTS
38	Hose kit GRD70	7000901	1	(POS.39, 40, 42 included)
39	Hose Grab Short	7000899	2	
40	Hose Grab Long	7000900	2	
42	Hose Grab Feed	743003	2	

POS in order of assembly



## GRD70Q:



POS	DESCRIPTION	PART	QTY	COMMENTS
24	Eccenter function distance when connected: 0,5-1,2mm. Max difference between couplings: 0,35mm			Measure both couplings. Adjust with linkheads
48	Hose kit GRD70Q	7000732	1	(POS.49-50 included)
49	Hose Grab Short	7000730	2	
50	Hose Grab Long	7000731	2	

POS in order of assembly



## Related spare parts:

POS	DESCRIPTION	PART	QTY	COMMENTS
32	Grab cylinder	1048549	2	
49	Hose Grab Short	7000730	2	
50	Hose Grab Long	7000731	2	
52	Cylinder cover	1051150	2	(POS.53 included)
69	Grab cylinder left	1045040	1	Replaced by POS.32 from 2019-03
70	Grab cylinder right	1045041	1	Replaced by POS.32 from 2019-03
71	Cylinder cover left	1048578	1	Replaced by POS.52 from 2019-03
72	Cylinder cover right	1048579	1	Replaced by POS.52 from 2019-03
73	Screw MC6S 8x20	610433	4	Loctite 2400

POS in order of assembly

