

COVERSHEET


Planned document changes:

Briefly:

 No planned changes.

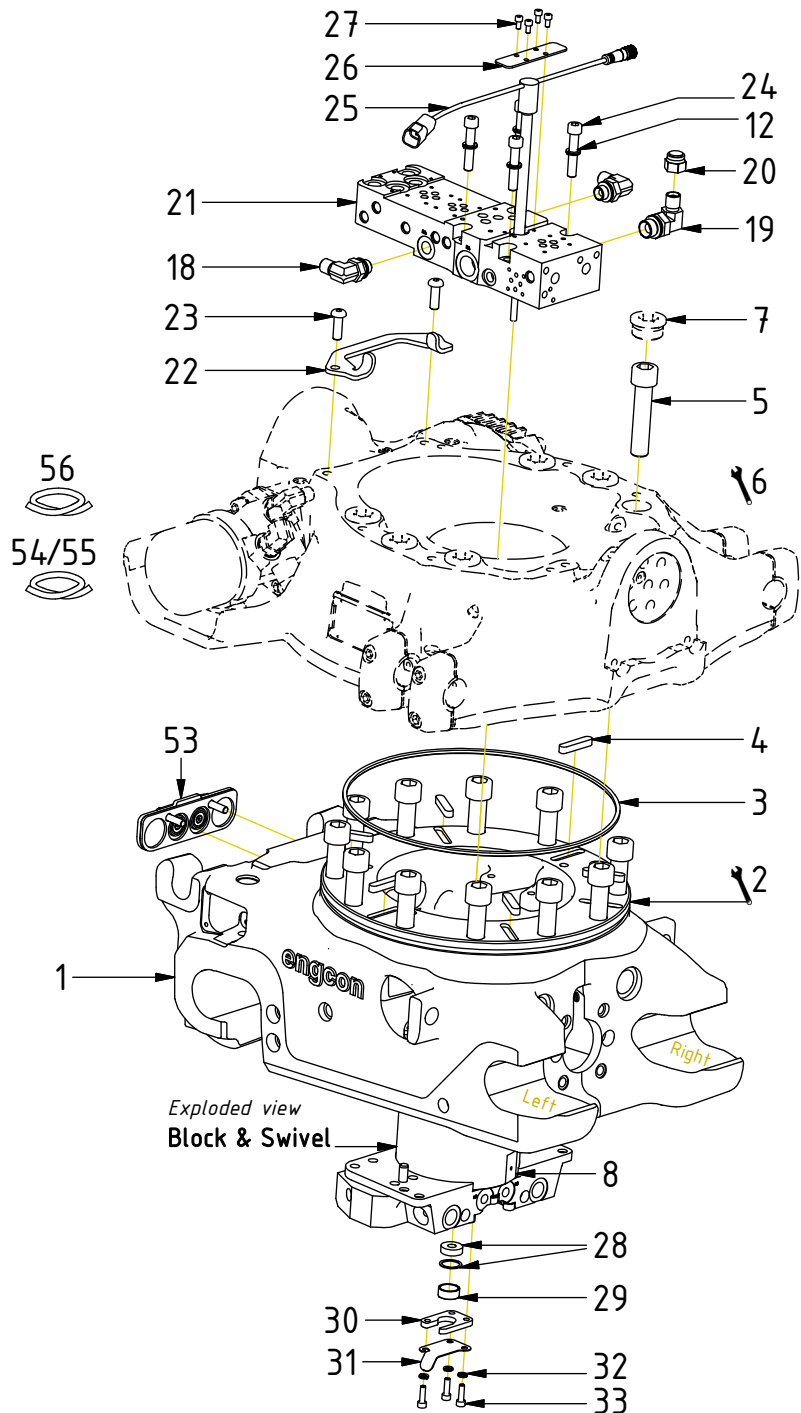
Document changes:

Date:	Change:	Rev. after change:
2024-03-13	Photos updated.	U
2024-02-20	Lock hose replaced.	T
2023-11-28	Valve block screws must be tightened in cross pattern.	S
2023-09-25	Quick hitch updated.	R
2023-01-19	Screws updated.	Q
2022-05-03	Hoses for option 133cc added.	P
2021-11-11	Lock hoses replaced. Quick hitch updated.	O
2020-12-17	Protection plugs added.	N
2020-10-06	Motor hoses replaced. Photos replaced.	M
2020-06-28	Visual error corrected.	L
2020-02-21	Solution for Extra 2 (Q) on QSM updated.	K
2019-12-20	Silicone to slip ring added.	J
2020-06-29	QSM-Q couplings replaced. Spare parts added.	I
2019-11-20	Layout/irrelevant.	H
2019-10-08	Screw quality updated.	G
2019-09-13	Motor hoses corrected.	F
2019-04-02	ALU parts updated to steel.	E
2019-01-08	Layout/irrelevant.	D
2018-12-19	Part no for slip ring cover plate updated.	C
2018-11-21	Separate pages for QSM-Q and QSM. Photos added.	B
2018-08-16	New document.	A
2018-07-31	First draft.	-

Readers note:
 Indicates instruction.

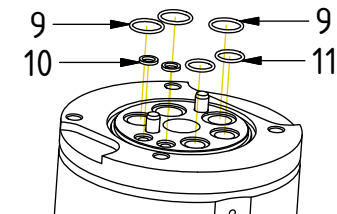
 Represents Hose.

Dashed lines for overview, mounts
on other pages/assemblies.



POS	DESCRIPTION	PART	QTY	COMMENTS
1	Quick hitch QSM60 V3 EC219	1066701	1	
2	Grease the ring		1	
3	O-ring 319,3x5,7	710908	1	
4	Feather Key	650102	6	
5	Screw MC6S M20x90 12.9	610556	12	Torque: 649Nm
6	Torque tighten rotator frame to hitch. Rotate to access all holes			
7	Pipe plug M36x2	650408	6	Part of rotator frame
8	Connect. block & swivel QSM Compl.	1050600	1	
9	O-ring 17.17x1.78	710977	3	
10	O-ring 7,66x1,68 square	7000579	2	
11	O-ring 14x1,78	710975	7	
12	Washer NL 10mm	611041	20	QTY: 8 without EC-Oil
18	Adapter 401-06-06 90° (3/8")	710152	2	Assemble before valve block
19	Adapter 401-06-08 90° (3/8"-1/2")	710157	1	Assemble before valve block
20	Protective cap 155-06 (3/8")	711626	1	
21	Valve Block QSM	1049297	1	
22	Swivel stop QSM EC219/EC226	1045935	1	
23	Screw K6S M10x30 10.9 FZB	6000193	2	Loxeal 83-52
24	Screw MC6S M10x55 12.9 Geomet	612022	4	Torque: 79Nm Tighten in cross pattern
25	Slip ring QSM60 M12	1046763	1	Mount with marine silicone
26	Cover plate slip ring	1050384	1	
27	Screw MC6S M5x10 12.9	610594	4	
28	Rubber bushing	1046691	1	Use the outer ring. Washer down
29	Ring slip ring QSM	1046692	1	
30	Plate slip ring QSM	1046689	1	
31	Plate cable steering QSM	1046694	1	
32	Washer NL 6mm	611039	3	
33	Screw MC6S M6x20 8,8 FZB	610310	3	
53	Cover plate QSM60 magnet	1049327	1	
54	Hose hydraulic motor Short (160cc)	7000790	1	
55	Hose hydraulic motor Short (131cc)	7000789	1	Option 131cc
56	Hose hyd. motor Long (131cc/160cc)	7000724	1	

Between swivel & valve block:

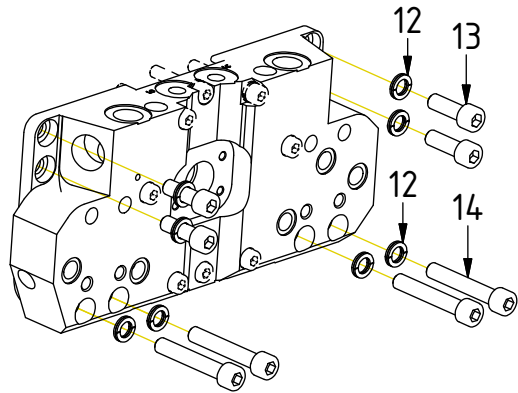


POS in order of assembly

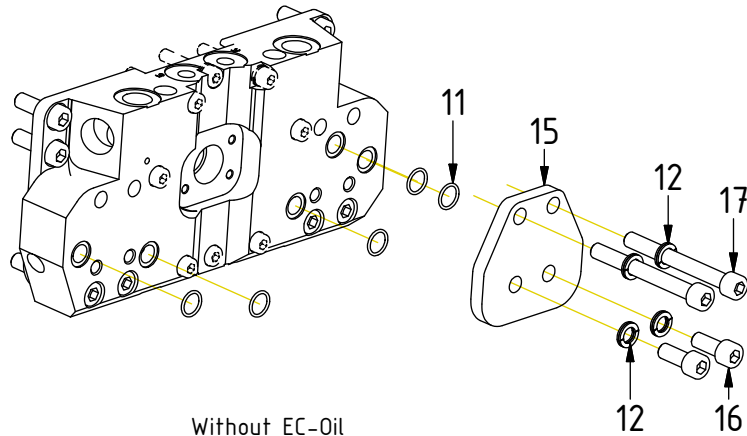
EC219 QSM - Hitch QSM60

POS in order of assembly

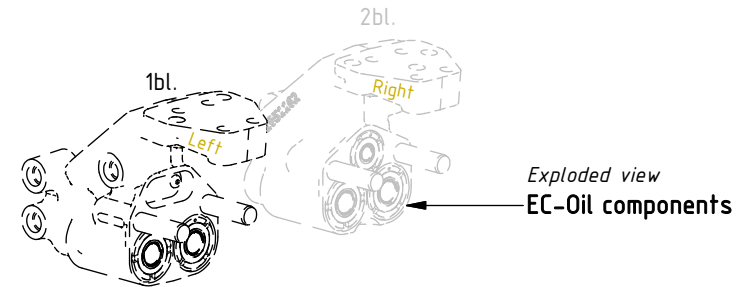
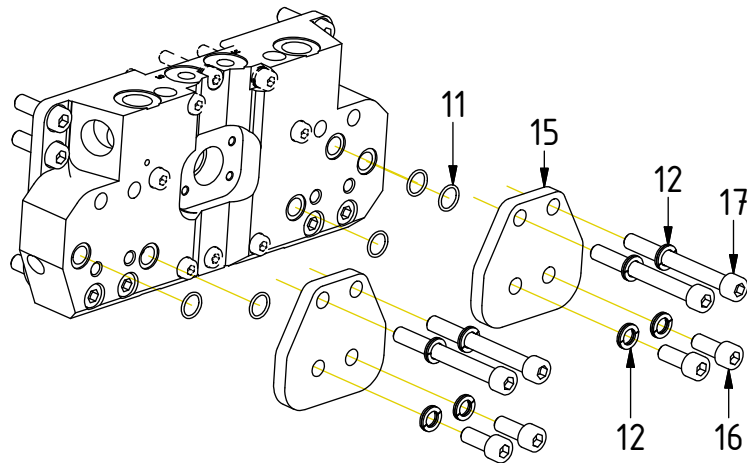
POS	DESCRIPTION	PART	QTY	COMMENTS
11	O-ring 14x1,78	710975	7	
12	Washer NL 10mm	611041	20	QTY: 8 without EC-Oil
13	Screw MC6S M10x30 12.9 Geomet	612018	4	
14	Screw MC6S M10x60 12.9 Geomet	611503	4	
15	Cover plate QSM60	1044.083	2	
16	Screw MC6S M10x25 12.9 ZFSHL	6000195	4	
17	Screw MC6S M10x90 12.9 ZFSHL	6000153	4	



EC-Oil 1bl.

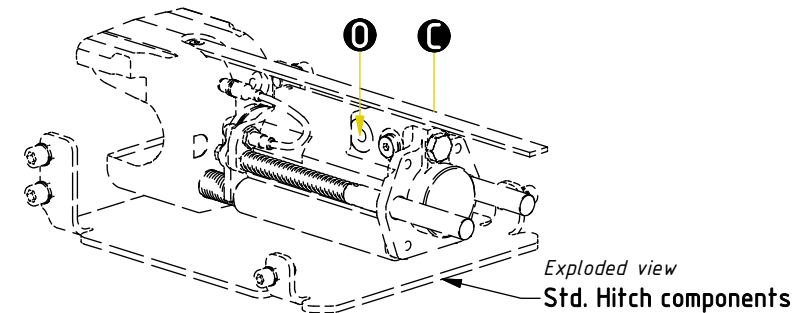
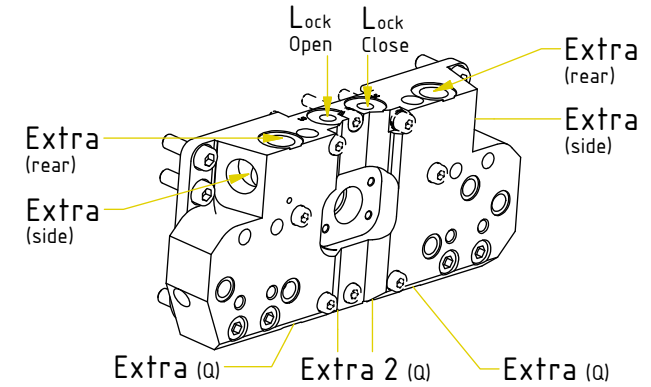
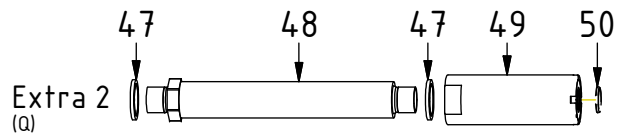
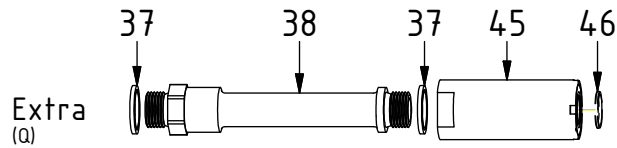
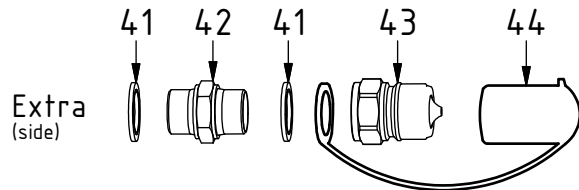
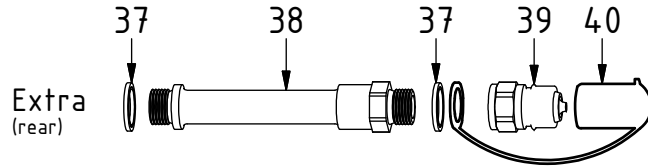
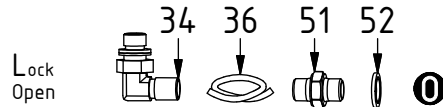
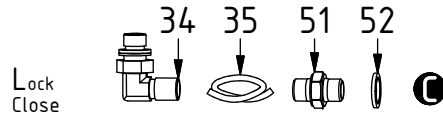


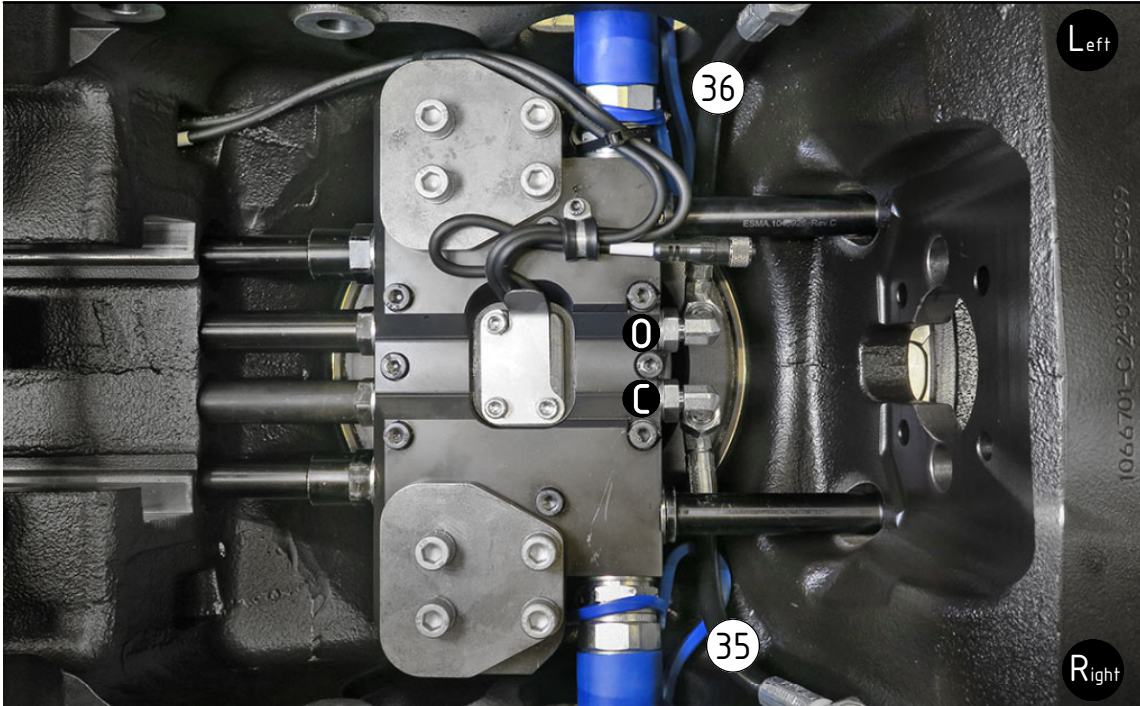
Without EC-Oil



POS in order of assembly

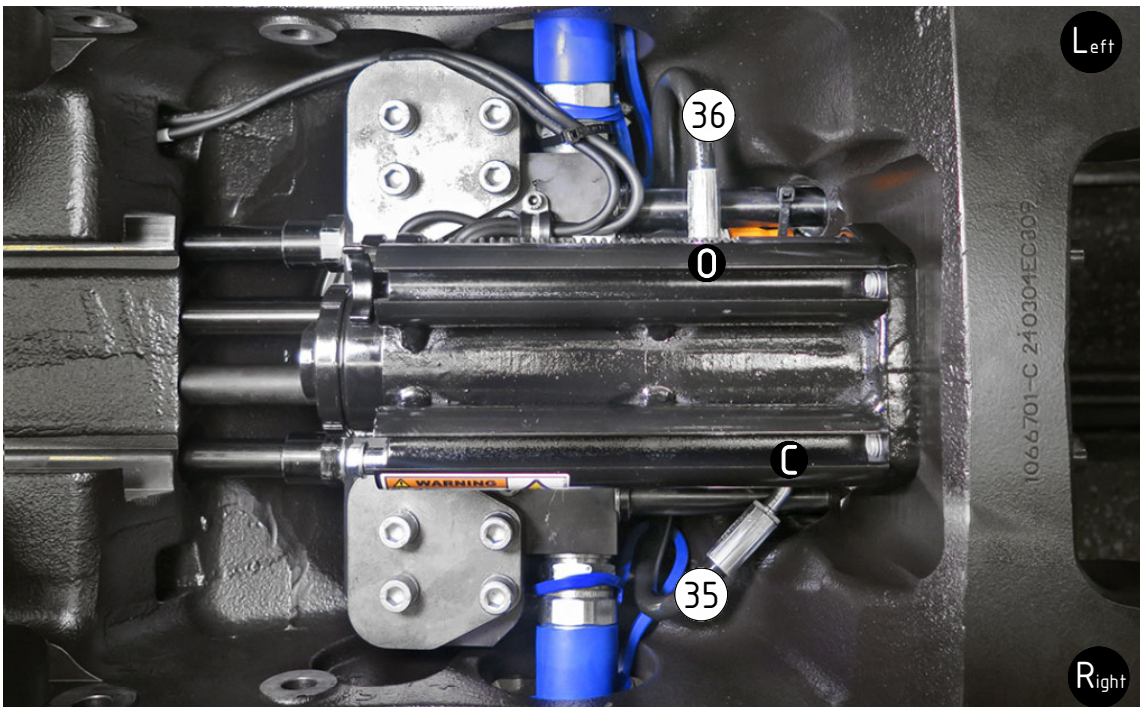
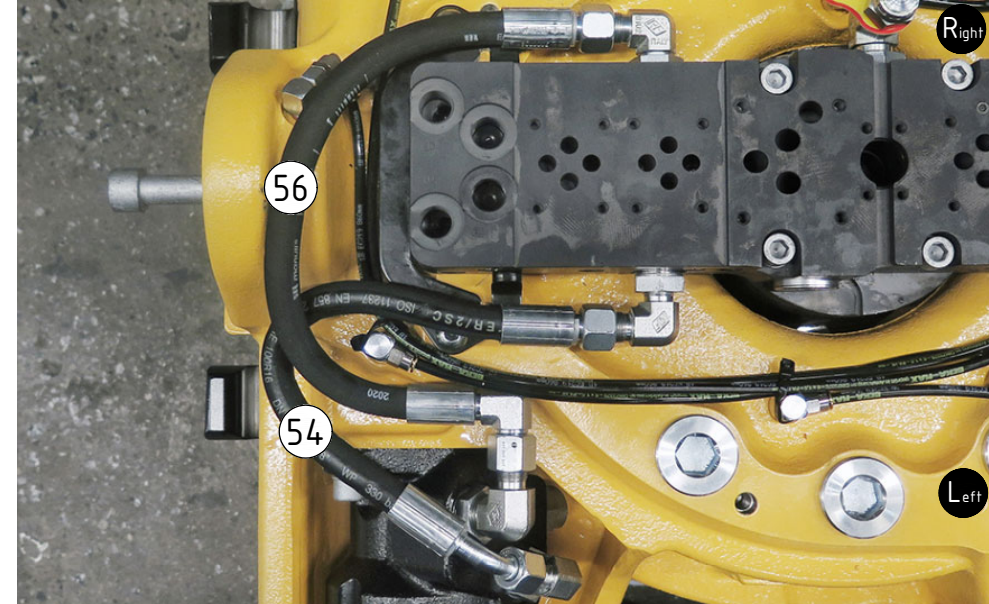
POS	DESCRIPTION	PART	QTY	COMMENTS
34	Adapter 401-04-04 90° (1/4")	710151	2	
35	Hose Lock Close	7001956	1	
36	Hose Lock Open	7001957	1	
37	Washer GBR08 1/2	710704	8	
38	Adapter extension 1/2" Steel	1045926	4	
39	Quick coupling 1/2"	790115	2	
40	Dust Protection 1/2"	790121	2	
41	Washer GBR12 3/4	710706	4	
42	Adapter 136-12-12 (3/4")	710126	2	
43	Quick coupling 3/4"	790193	2	
44	Dust Protection 3/4"	790195	2	
45	Coupling ECO QSM 1/2" female V3	1055420	2	Loxeal 83-52. (POS.46 included)
46	Flat sealing for ECO 1/2" V3	1050018	2	
47	Washer GBR06 3/8	710703	4	
48	Adapter extension 3/8" Steel	1045927	2	
49	Coupling ECO QSM 3/8" female V3	1055682	2	Loxeal 83-52. (POS.50 included)
50	Flat sealing for ECO 3/8" V3	1052976	2	
51	Adapter 138-04-29 (1/4")	710135	2	
52	Washer GBR04 1/4	710702	2	



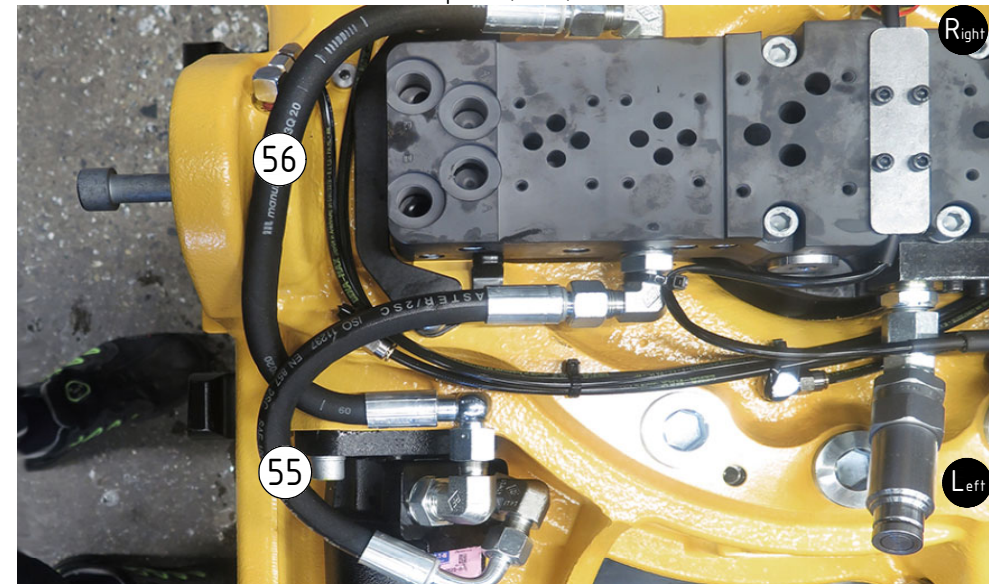


POS	DESCRIPTION	PART	QTY	COMMENTS
35	Hose Lock Close	7001956	1	
36	Hose Lock Open	7001957	1	
54	Hose hydraulic motor Short (160cc)	7000790	1	
55	Hose hydraulic motor Short (131cc)	7000789	1	Option 131cc
56	Hose hyd. motor Long (131cc/160cc)	7000724	1	

Standard (160cc)



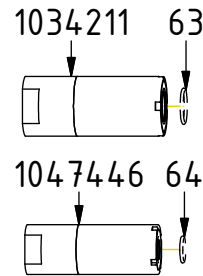
Option (131cc)



SPARE PARTS

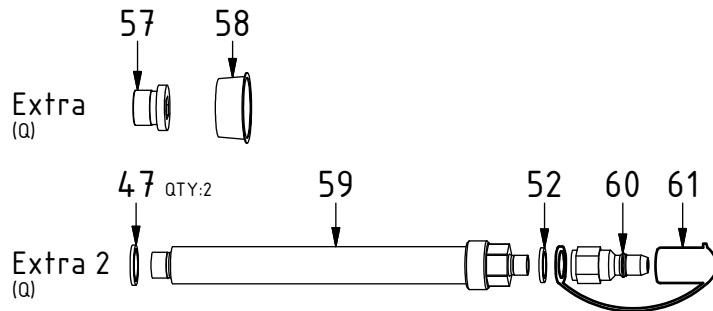
POS	DESCRIPTION	PART	QTY	COMMENTS
35	Hose Lock Close	7001956	1	
36	Hose Lock Open	7001957	1	
45	Coupling ECO QSM 1/2" female V3	1055420	2	Loxéal 83-52. (POS.46 included)
46	Flat sealing for ECO 1/2" V3	1050018	2	
47	Washer GBR06 3/8	710703	4	
49	Coupling ECO QSM 3/8" female V3	1055682	2	Loxéal 83-52. (POS.50 included)
50	Flat sealing for ECO 3/8" V3	1052976	2	
52	Washer GBR04 1/4	710702	2	
54	Hose hydraulic motor Short (160cc)	7000790	1	
57	Plug 70125-08 (1/2")	711500	2	
58	Protection plug HECO60 hydraulic	7000155	2	
59	Adapter 3/8"-1/4" bolted GRD	1050319	2	
60	Quick Coupler 1/4" Male 2520	790111	2	
61	Dust Protection 1/4"	790119	2	
62	Hose Lock	7001613	2	Replaced by POS.35-36 fr 2024-01
63	O-ring 17.17x1.78	710913	2	Used until 2020-01 Separate seal kit: 7000046
64	O-ring 12,42x1,78	712417	2	Used until 2020-01 Separate seal kit: 7000045
65	Adapter 45° 402-04-04 (1/4")	7000104	4	
66	Hose Lock	7000743	2	Replaced by POS.62 from 2021-09
67	Hose hydraulic motor (160cc)	7000725	1	Replaced by POS.54 from 2020-10

QSM-Q:



O-rings between versions are not compatible

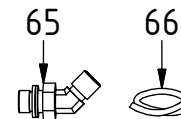
QSM:



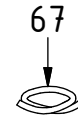
Lock hoses until 2024-01:



Lock hoses until 2021-09:



Motor hose until 2020-10:



POS in order of assembly