

COVERSHEET

Planned document changes:

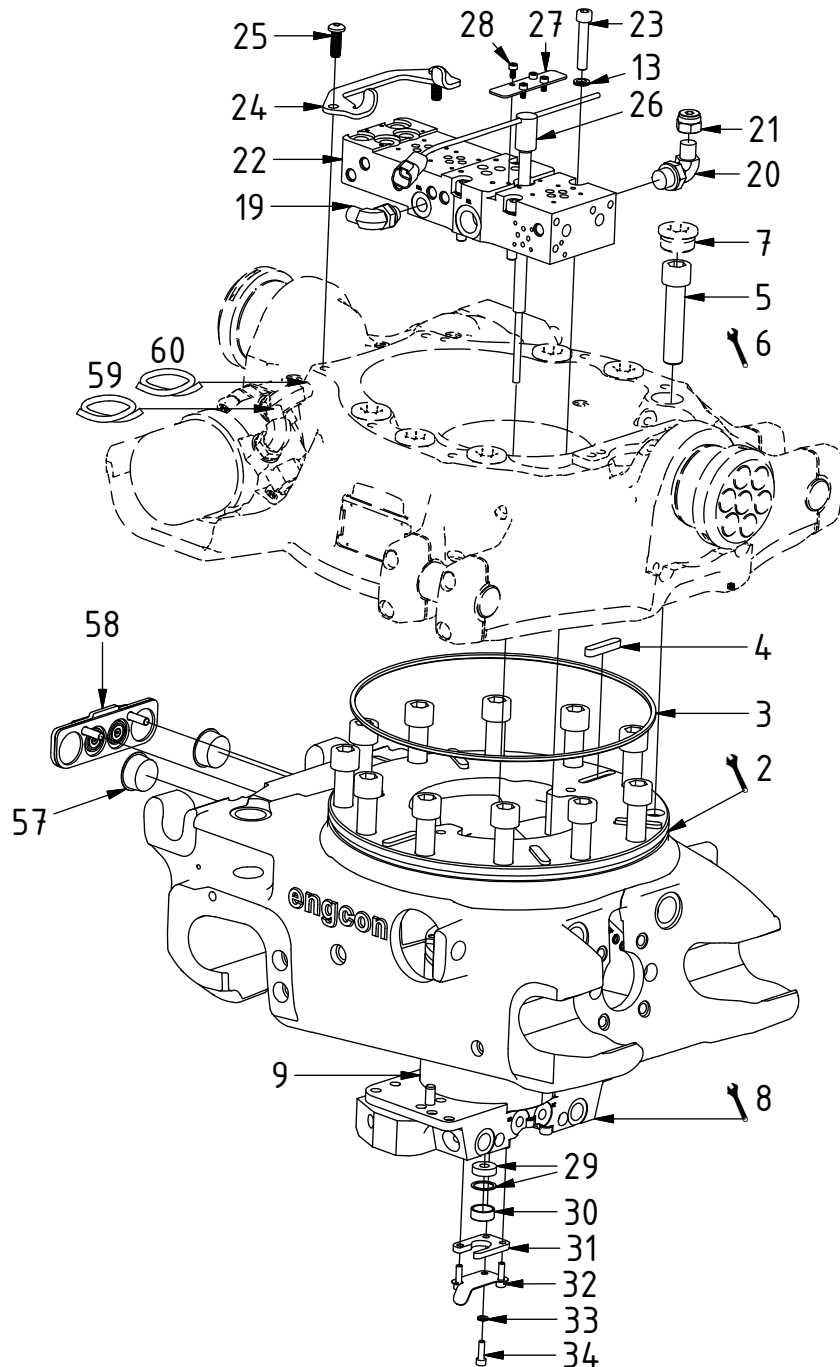
Briefly:

No planned changes.

Document changes:

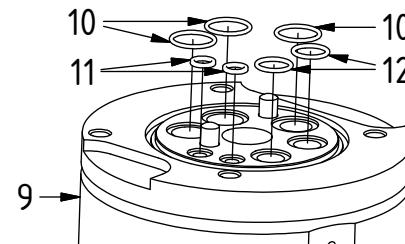
Date:	Change:	Rev. after change:
2021-11-11	Lock hoses replaced. POS order of screws corrected. Quick hitch updated.	0
2020-12-17	Protection plugs added.	N
2020-10-06	Motor hose replaced. Photo replaced.	M
2020-06-28	Visual error corrected.	L
2020-02-21	Solution for Extra 2 (Q) on QSM updated.	K
2019-12-20	Silicone to slip ring added.	J
2020-06-29	QSM-Q couplings replaced. Spare parts added.	I
2019-11-20	Layout/irrelevant.	H
2019-10-08	Screw quality updated.	G
2019-09-13	Motor hoses corrected.	F
2019-04-02	ALU parts updated to steel.	E
2019-01-08	Layout/irrelevant.	D
2018-12-19	Item no for slip ring cover plate updated.	C
2018-11-21	Separate pages for QSM-Q and QSM. Photos added.	B
2018-08-16	New instruction.	A
2018-07-31	First draft.	-

EC219 - QSM60



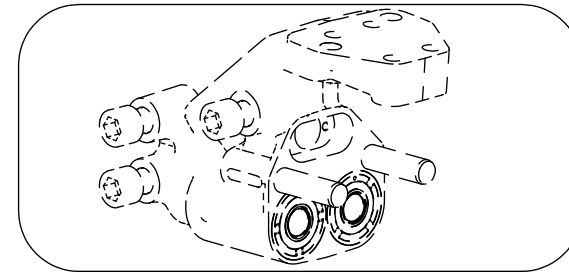
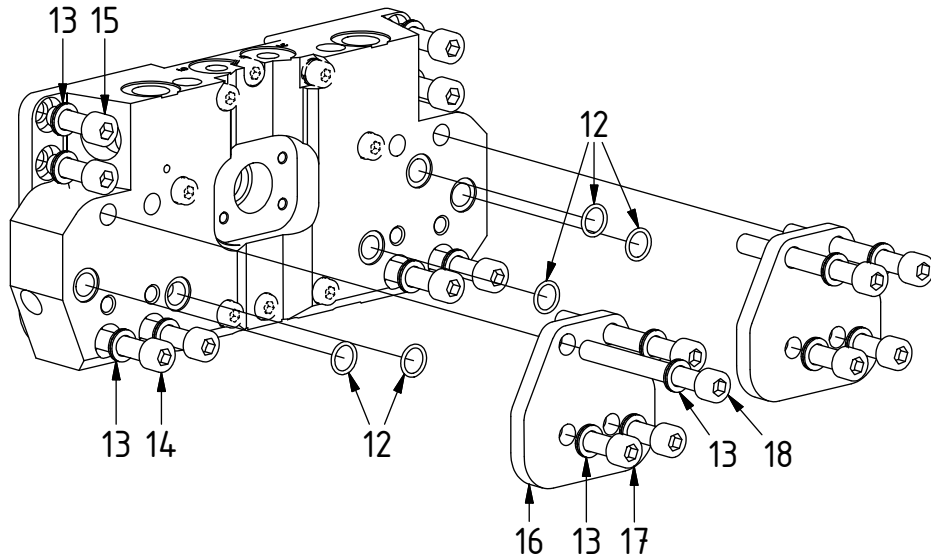
POS	DESCRIPTION	PART	QTY	COMMENTS
1	Quick hitch QSM60 EC219	1062571	1	
2	Grease the ring			
3	O-ring 319,3x5,7	710908	1	
4	Feather Key	650102	6	
5	MC6S 20x90 12.9	610556	12	
6	Torque tighten quick hitch to rotator frame, six holes. Rotate to access the remaining holes			
7	Pipe plug M36	650408	6	Part of rotator frame assembly
8	See p.3 connection block config.			
9	Connect. block & swivel QSM Compl.	1050600	1	See "Valve blocks & swivels"
10	O-ring 17.17x1.78	710977	5	
11	O-ring 7,66x1,68 square	7000579	6	
12	O-ring 14x1,78	710975	11	
13	Washer NL10	611041	20	
19	Adapter 90° 3/8"	710152	2	Assemble before connecting valve block to swivel
20	Adapter 401-06-08 90° 1/2"	710157	1	Assemble before connecting valve block to swivel
21	Protection cap 3/8"	711626	1	
22	Valve Block QSM	1049297	1	
23	MC6S M10x55 12.9 Geomet	612022	4	Torque: 79Nm
24	Swivel stop QSM EC219/EC226	1045935	1	
25	K6S 10x30 10.9	6000193	2	Loctite 2700
26	Slip ring QSM60 M12	1046763	1	Mount with marine silicone
27	Cover plate	1050384	1	
28	MC6S 5x10 12.9	610594	4	
29	Rubber bushing	1046691	1	Use the outer ring. Washer down
30	Ring slip ring QSM	1046692	1	
31	Plate slip ring QSM	1046689	1	
32	Plate cable steering QSM	1046694	1	
33	Washer NL6	611039	5	
34	MC6S 6x20 12.9	610310	3	
57	Protection plug HECO60 hydraulic	7000155	2	
58	Cover plate	1049327	1	Only for QSM-Q
59	Hose hydraulic motor Short	7000790	1	
60	Hose hydraulic motor Long	7000724	1	

O-rings between POS.9 & 22:



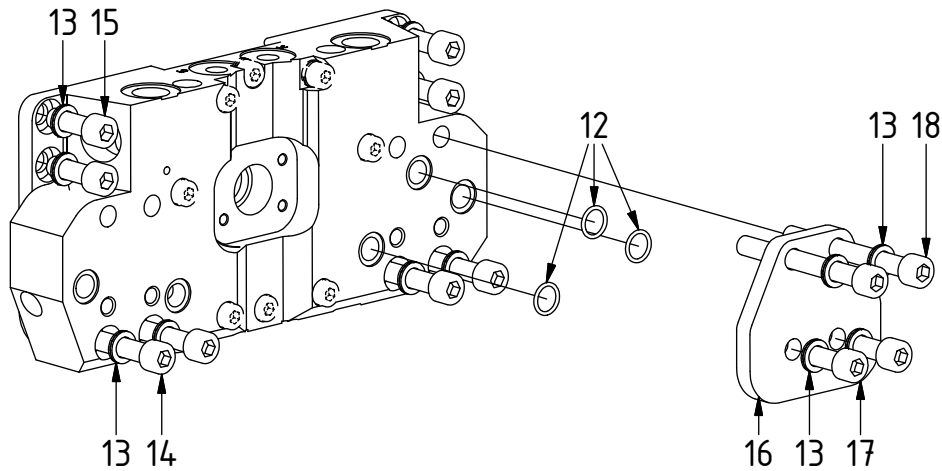
POS	DESCRIPTION	PART	QTY	COMMENTS
12	O-ring 14x1,78	710975	11	
13	Washer NL10	611041	20	
14	MC6S M10x60 12.9 Geomet	611503	4	
15	MC6S 10x30 12.9	610452	4	
16	Cover plate	1044083	2	
17	MC6S M10x25 12.9 ZFSHL	6000195	4	
18	MC6S M10x90 12.9 ZFSHL	6000153	4	

Standard

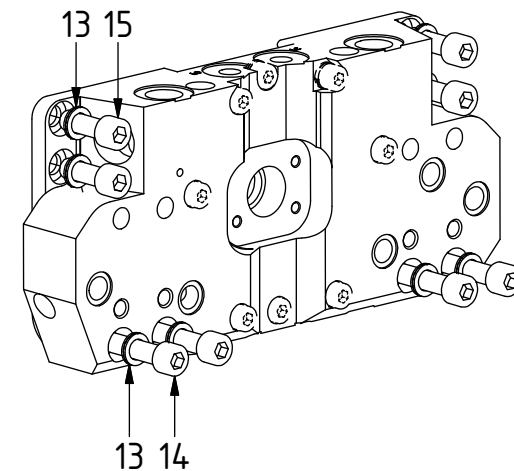


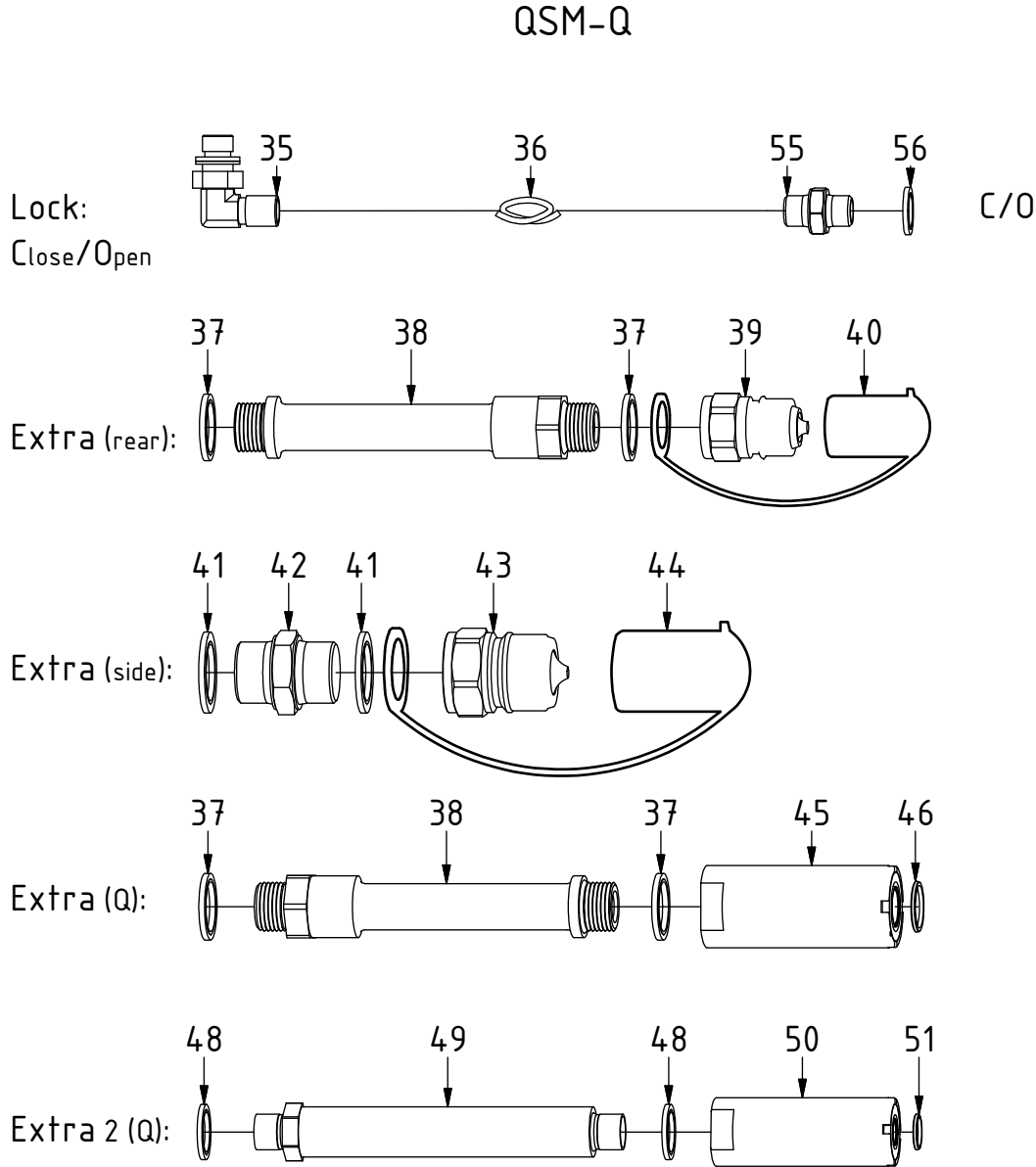
See instruction,
EC-Oil components

EC-Oil 1bl.

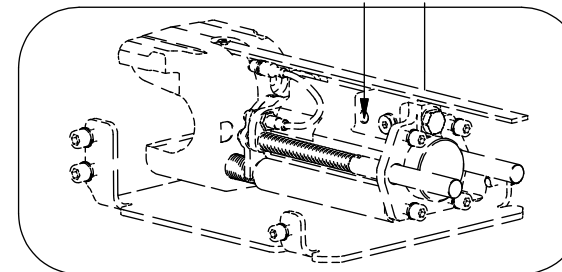
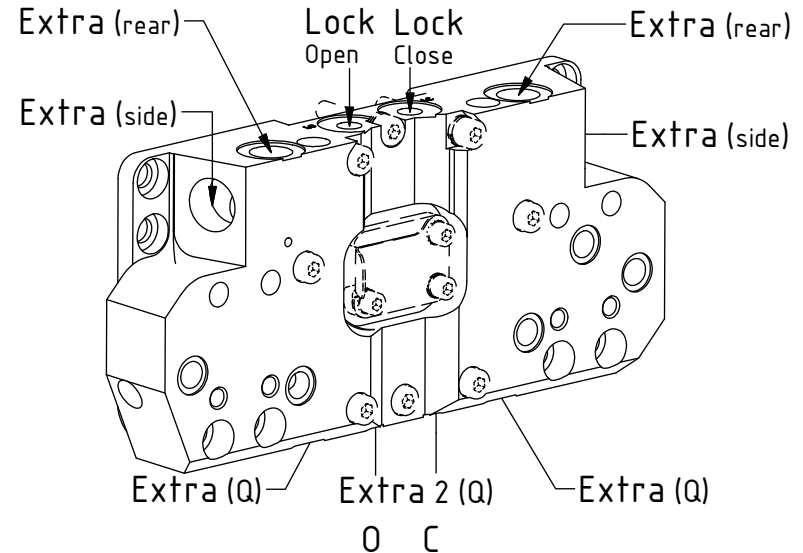


EC-Oil 2bl.

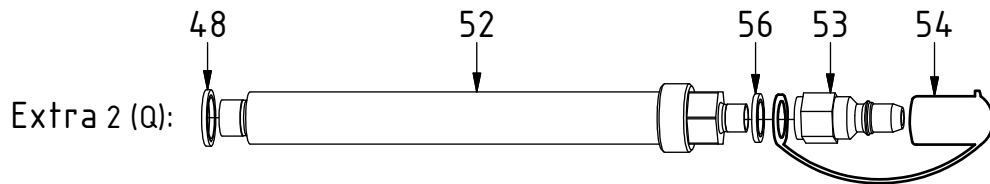
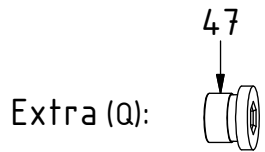
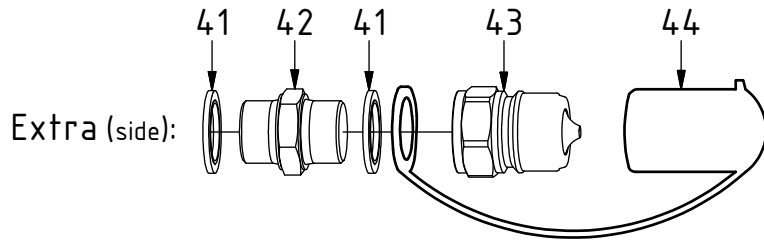
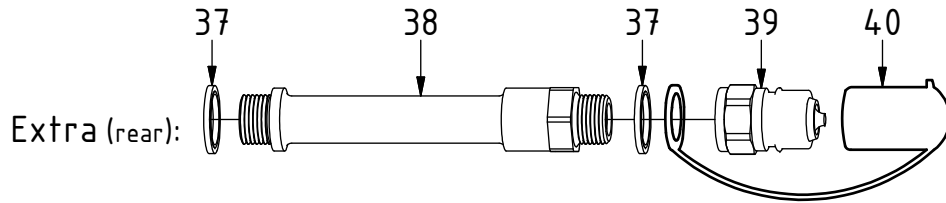
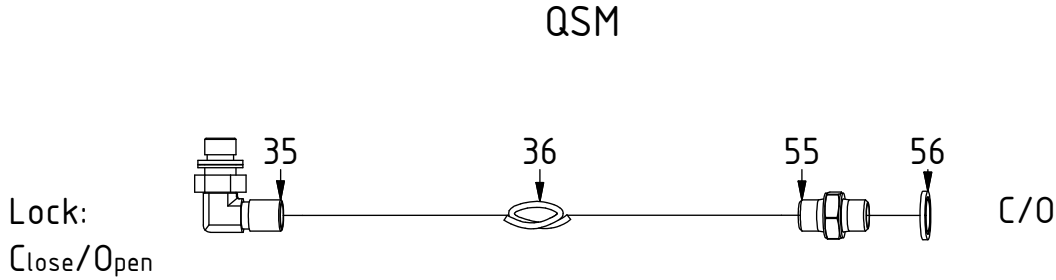




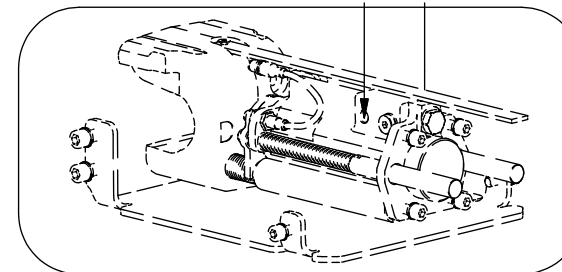
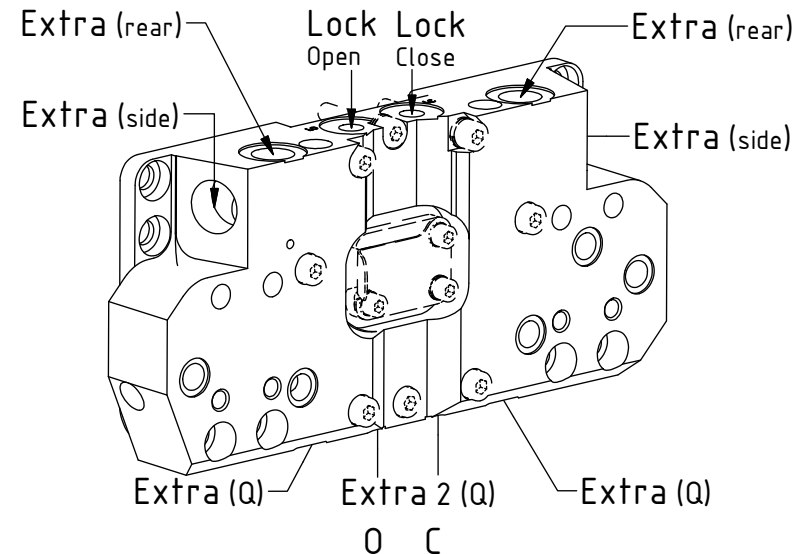
POS	DESCRIPTION	PART	QTY	COMMENTS
35	Adapter 401-04-04 90° (1/4")	710151	2	
36	Hose Lock	7001613	2	
37	Sealing washer 1/2"	710704	4	QTY: 8 for QSM-Q
38	Adapter extension 1/2" Steel	1045926	2	QTY: 4 for QSM-Q
39	Quick coupling 1/2"	790115	2	
40	Dust Protection 1/2"	790121	2	
41	Sealing washer 3/4"	710706	4	
42	Adapter 136-12-12	710126	2	
43	Quick coupling 3/4"	790193	2	
44	Dust Protection 3/4"	790195	2	
45	Coupling ECO QSM 1/2" female V3	1055420	2	Loctite 2700. (POS.46 included)
46	Flat sealing for ECO 1/2" V3	1050018	2	
48	Washer GBR06 3/8	710703	2	QTY: 4 for QSM-Q
49	Adapter extension 3/8" Steel	1045927	2	
50	Coupling ECO QSM 3/8" female V3	1055682	2	Loctite 2700. (POS.51 included)
51	Flat sealing for ECO 3/8" V3	1052976	2	
55	Adapter 138-04-29 (1/4")	710135	2	
56	Washer GBR04 1/4	710702	4	QTY: 2 for QSM-Q



See instruction, Standard components

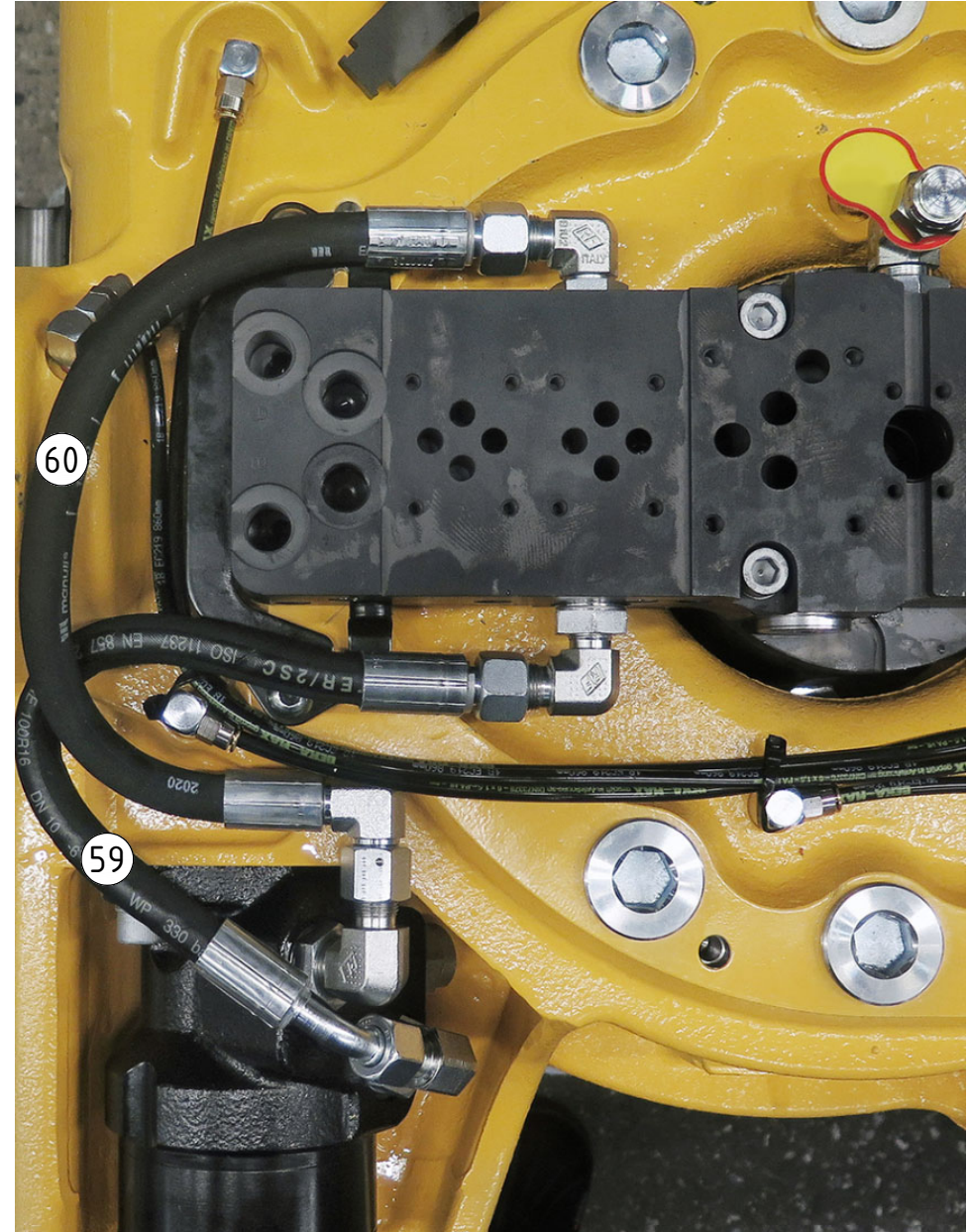
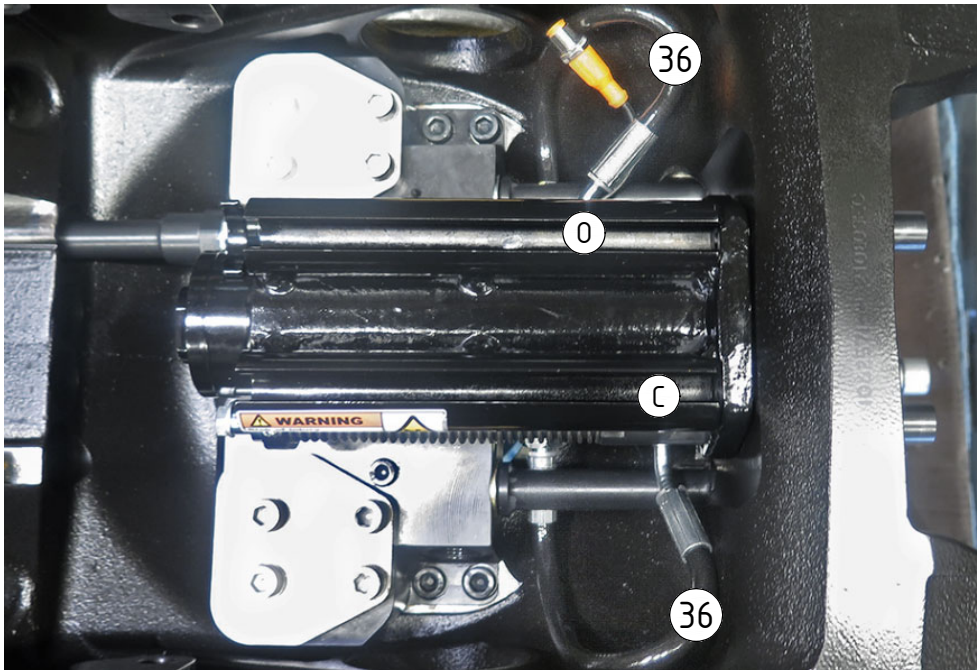
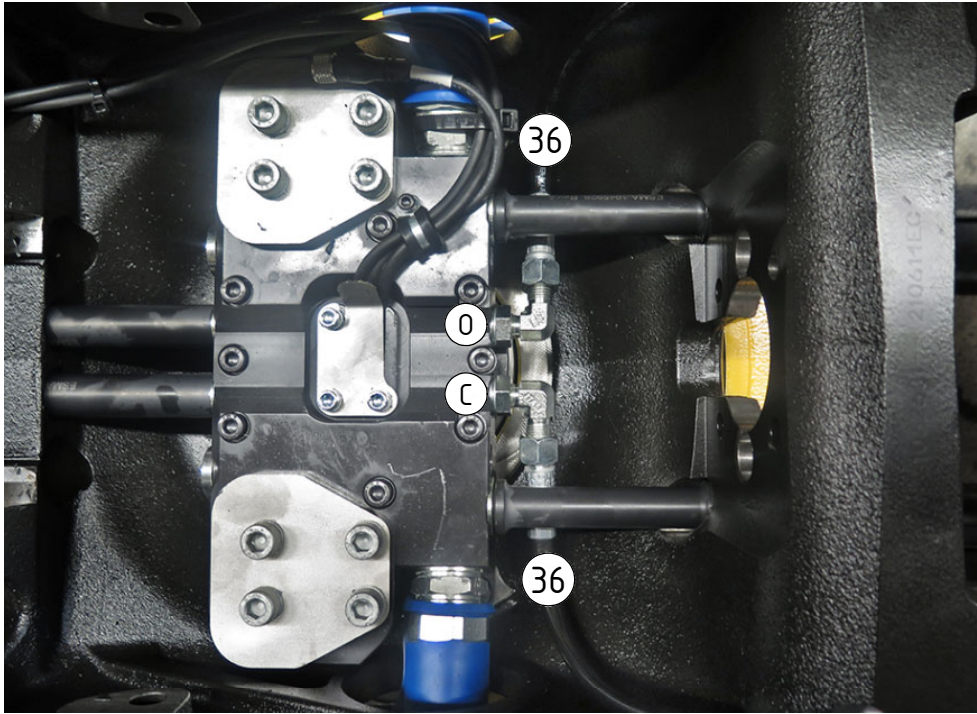


POS	DESCRIPTION	PART	QTY	COMMENTS
35	Adapter 401-04-04 90° (1/4")	710151	2	
36	Hose Lock	7001613	2	
37	Sealing washer 1/2"	710704	4	QTY: 8 for QSM-Q
38	Adapter extension 1/2" Steel	1045926	2	QTY: 4 for QSM-Q
39	Quick coupling 1/2"	790115	2	
40	Dust Protection 1/2"	790121	2	
41	Sealing washer 3/4"	710706	4	
42	Adapter 136-12-12	710126	2	
43	Quick coupling 3/4"	790193	2	
44	Dust Protection 3/4"	790195	2	
47	Plug 70125-08 (1/2")	711500	2	
48	Washer GBR06 3/8	710703	2	QTY: 4 for QSM-Q
52	Adapter 3/8"-1/4" bolted GRD	1050319	2	
53	Quick Coupler 1/4" Male 2520	790111	2	
54	Dust Protection 1/4"	790119	2	
55	Adapter 138-04-29 (1/4")	710135	2	
56	Washer GBR04 1/4	710702	4	QTY: 2 for QSM-Q



See instruction, Standard components

POS	DESCRIPTION	PART	QTY	COMMENTS
36	Hose Lock	7001613	2	
59	Hose hydraulic motor Short	7000790	1	
60	Hose hydraulic motor Long	7000724	1	

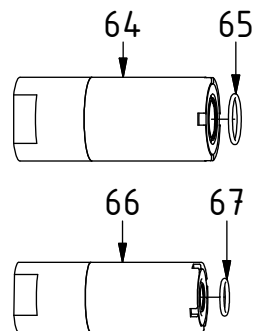


Related spare parts

POS	DESCRIPTION	PART	QTY	COMMENTS
36	Hose Lock	7001613	2	
45	Coupling ECO QSM 1/2" female V3	1055420	2	Loctite 2700. (POS.46 included)
46	Flat sealing for ECO 1/2" V3	1050018	2	
50	Coupling ECO QSM 3/8" female V3	1055682	2	Loctite 2700. (POS.51 included)
51	Flat sealing for ECO 3/8" V3	1052976	2	
59	Hose hydraulic motor Short	7000790	1	
61	Adapter 402-04-04 45°	7000104	4	Used until 2021-09
62	Hose Lock	7000743	2	Replaced by POS.36 from 2021-09
63	Hose hydraulic motor	7000725	1	Replaced by POS.58 from 2020-10
64	Coupling ECO QSM 1/2" female	1034211	2	Replaced by POS.45 from 2020-01 Loctite 2700. (POS.65 included)
65	O-ring 17.17x1.78	710913	2	Replaced by POS.46 from 2020-01 Separate seal kit: 7000046
66	Coupling ECO QSM 3/8" female	1047446	2	Replaced by POS.50 from 2020-01 Loctite 2700. (POS.67 included)
67	O-ring 12,42x1,78	712417	2	Replaced by POS.51 from 2020-01 Separate seal kit: 7000045

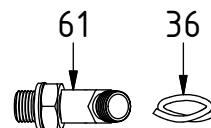
POS in order of assembly

QSM-Q:



O-rings between versions are not compatible

Lock hoses until 2021-09:



Motor hose until 2020-10:

