

COVERSHEET

Planned document changes:

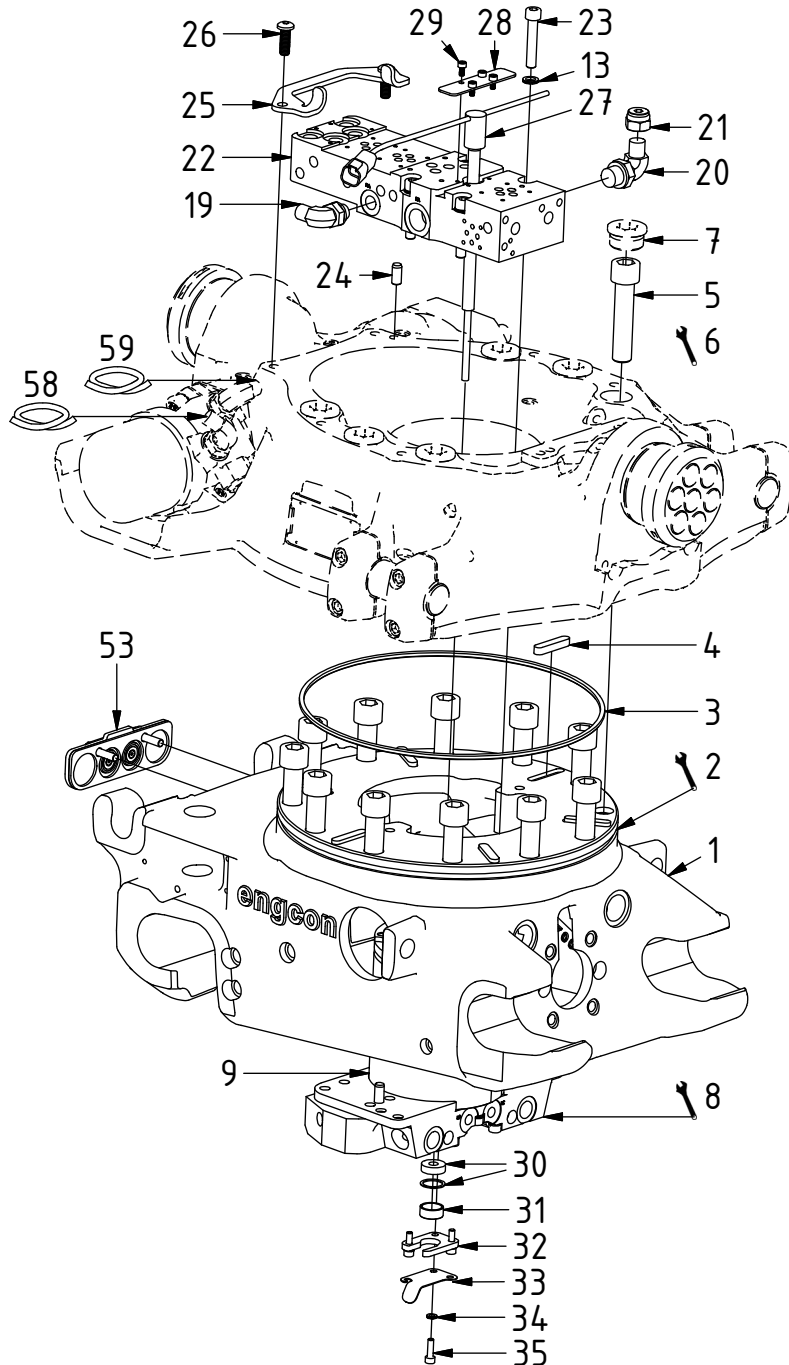
Briefly:

No planned changes.

Document changes:

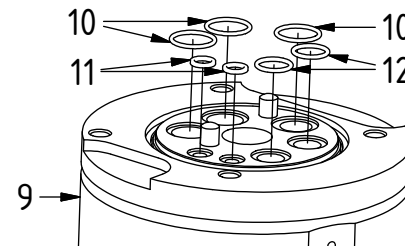
| Date: | Change: | Rev. after change: |
|--------------|---|-------------------------------|
| 2019-12-20 | QSM-Q couplings replaced. Spare parts added. | I |
| 2019-11-20 | Layout/irrelevant. | H |
| 2019-10-08 | Screw quality updated. | G |
| 2019-09-13 | Motor hoses corrected. | F |
| 2019-04-02 | ALU parts updated to steel. | E |
| 2019-01-08 | Layout/irrelevant. | D |
| 2018-12-19 | Item no for slip ring cover plate updated. | C |
| 2018-11-21 | Separate pages for QSM-Q and QSM. Photos added. | B |
| 2018-08-16 | New instruction. | A |
| 2018-07-31 | First draft. | - |

EC219 - QSM60



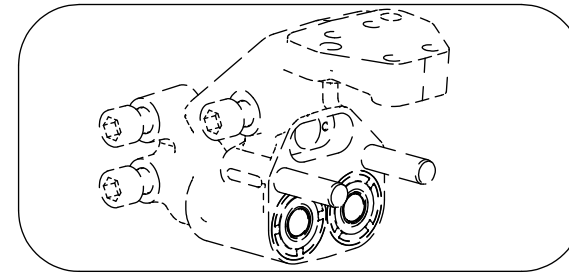
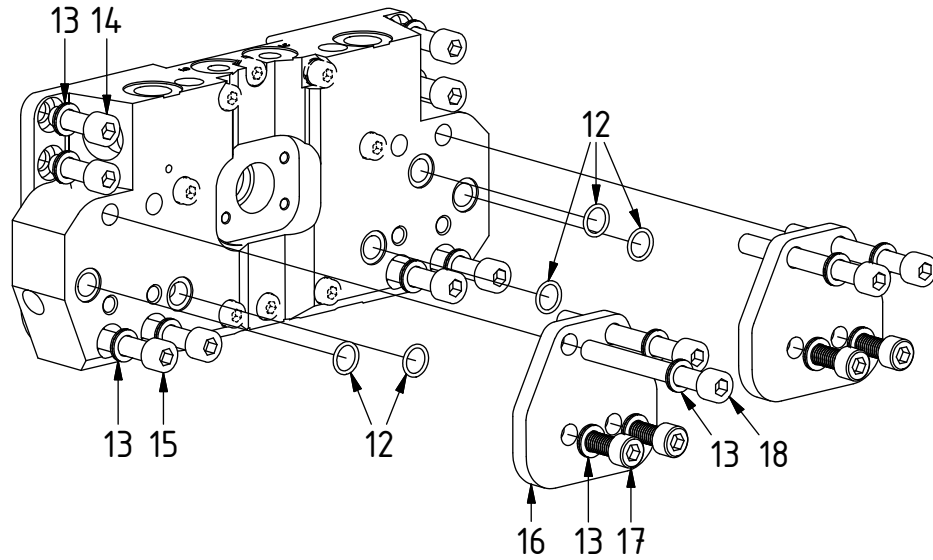
| POS | DESCRIPTION | PART | QTY | COMMENTS |
|-----|--|---------|-----|--|
| 1 | Quick hitch QSM60 EC219 | 1045361 | 1 | |
| 2 | Grease the ring | | | |
| 3 | O-ring 319,3x5,7 | 710908 | 1 | |
| 4 | Feather Key | 650102 | 6 | |
| 5 | MC6S 20x90 12.9 | 610556 | 12 | |
| 6 | Torque tighten quick hitch to rotator frame, six holes. Rotate to access the remaining holes | | | |
| 7 | Pipe plug M36 | 650408 | 6 | Part of rotator frame assembly |
| 8 | See p.3 connection block config. | | | |
| 9 | Connect. block & swivel QSM Compl. | 1050600 | 1 | See "Valve blocks & swivels" |
| 10 | O-ring 17.17x1.78 | 710977 | 5 | |
| 11 | O-ring 7,66x1,68 square | 7000579 | 6 | |
| 12 | O-ring 14x1,78 | 710975 | 11 | |
| 13 | Washer NL10 | 611041 | 20 | |
| 19 | Adapter 90° 3/8" | 710152 | 2 | Assemble before connecting valve block to swivel |
| 20 | Adapter 401-06-08 90° 1/2" | 710157 | 1 | Assemble before connecting valve block to swivel |
| 21 | Protection cap 3/8" | 711626 | 1 | |
| 22 | Valve Block QSM | 1049297 | 1 | |
| 23 | MC6S M10x55 12.9 Geomet | 612022 | 4 | |
| 24 | Cylindrical pin CPK 10x24 m6 | 1020539 | 1 | Loctite 6300 |
| 25 | Swivel stop QSM EC219/EC226 | 1045935 | 1 | |
| 26 | K6S 10x30 10.9 | 6000193 | 2 | Loctite 2700 |
| 27 | Slip ring QSM60 M12 | 1046763 | 1 | |
| 28 | Cover plate | 1050384 | 1 | |
| 30 | Rubber bushing | 1046691 | 1 | Use the outer ring. Washer down |
| 31 | Ring slip ring QSM | 1046692 | 1 | |
| 32 | Plate slip ring QSM | 1046689 | 1 | |
| 33 | Plate cable steering QSM | 1046694 | 1 | |
| 34 | Washer NL6 | 611039 | 5 | |
| 35 | MC6S 6x20 12.9 | 610310 | 3 | |
| 53 | Cover plate | 1049327 | 1 | Only for QSM-Q |
| 58 | Hose hydraulic motor Short | 7000725 | 1 | |
| 59 | Hose hydraulic motor Long | 7000724 | 1 | |

O-rings between POS.9 & 22:



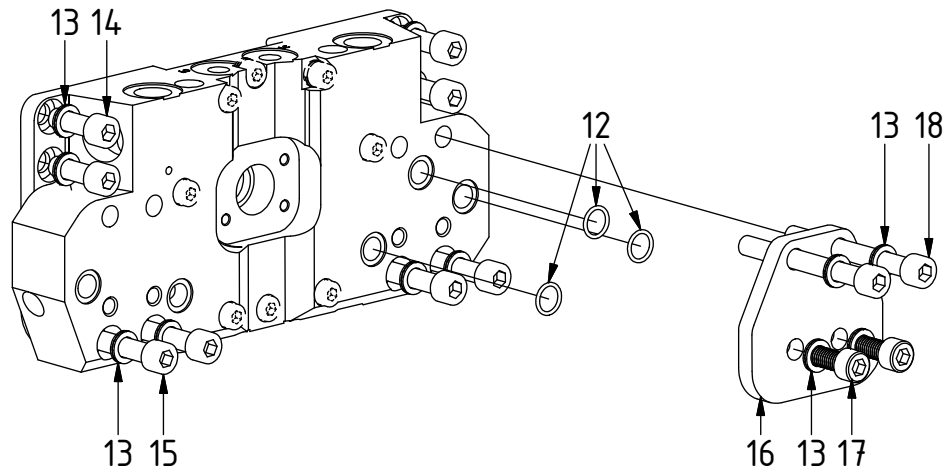
| POS | DESCRIPTION | PART | QTY | COMMENTS |
|-----|-----------------|---------|-----|----------|
| 12 | O-ring 14x1,78 | 710975 | 11 | |
| 13 | Washer NL10 | 611041 | 20 | |
| 14 | MC6S 10x30 12.9 | 610452 | 4 | |
| 15 | MC6S 10x60 12.9 | 610460 | 4 | |
| 16 | Cover plate | 1044083 | 2 | |
| 17 | MC6S 10x25 12.9 | 610569 | 4 | |
| 18 | MC6S 10x90 12.9 | 610465 | 4 | |

Standard

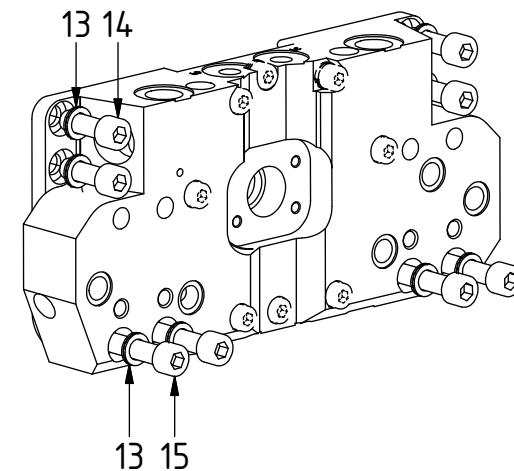


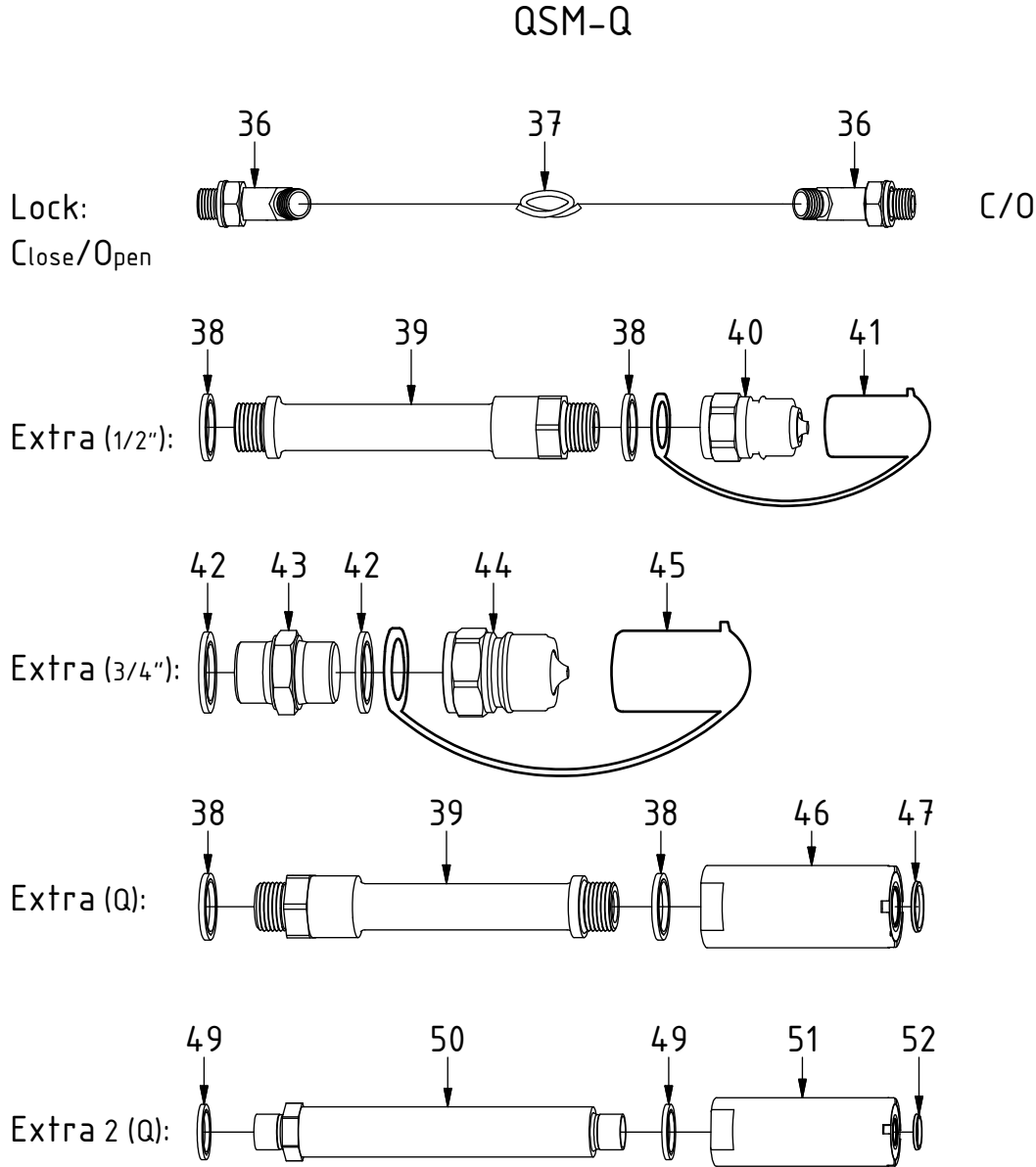
See instruction,
EC-Oil components

EC-Oil 1bl.

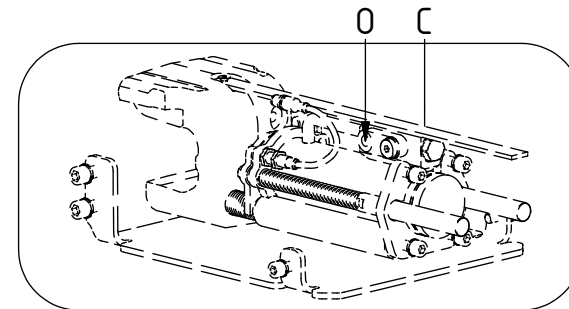
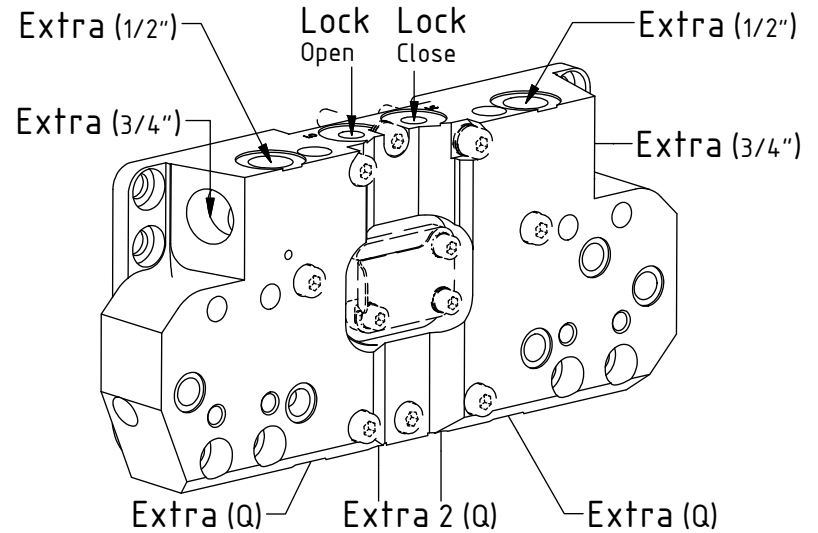


EC-Oil 2bl.



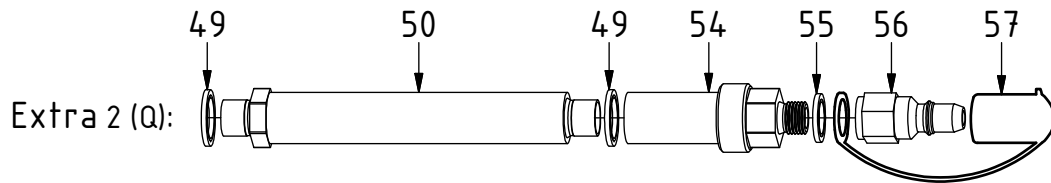
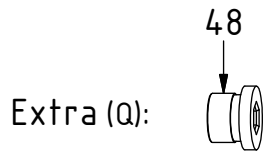
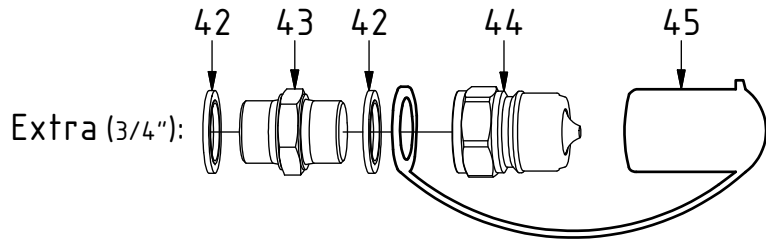
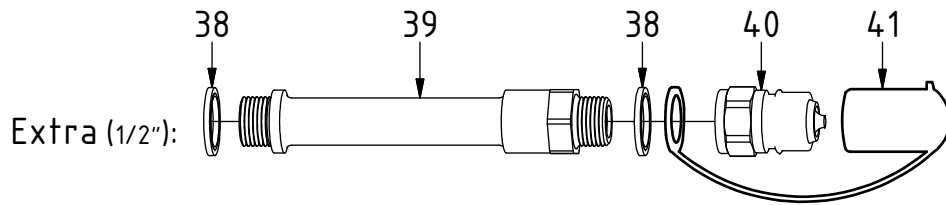
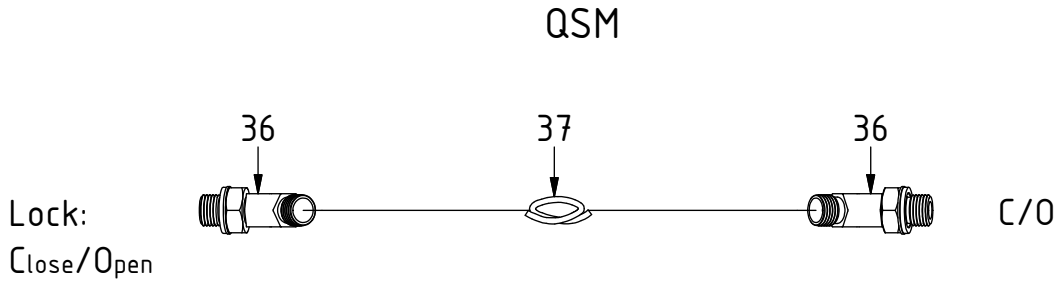


| POS | DESCRIPTION | PART | QTY | COMMENTS |
|-----|-------------------------------------|---------|-----|---------------------------------|
| 36 | Adapter 402-04-04 45° | 7000104 | 4 | |
| 37 | Hose Lock | 7000743 | 2 | |
| 38 | Sealing washer 1/2" | 710704 | 4 | QTY: 8 for QSM-Q |
| 39 | Adapter extension 1/2" Steel | 1045926 | 2 | QTY: 4 for QSM-Q |
| 40 | Quick coupling 1/2" | 790115 | 2 | |
| 41 | Dust Protection 1/2" | 790121 | 2 | |
| 42 | Sealing washer 3/4" | 710706 | 4 | |
| 43 | Adapter 136-12-12 | 710126 | 2 | |
| 44 | Quick coupling 3/4" | 790193 | 2 | |
| 45 | Dust Protection 3/4" | 790120 | 2 | |
| 46 | Coupling ECO QSM 1/2" female V2 | 1055420 | 2 | Loctite 2700. (POS.47 included) |
| 47 | O-ring 18,4x1,95 (for V2) | 1050018 | 2 | |
| 49 | Sealing washer 3/8" | 710703 | 4 | |
| 50 | Adapter extension 3/8" Steel | 1045927 | 2 | |
| 51 | Coupling ECO QSM 3/8" female V2 | 1055682 | 2 | Loctite 2700. (POS.52 included) |
| 52 | O-ring 12,5/15,7x1,6 PU 94 (for V2) | 1052976 | 2 | |

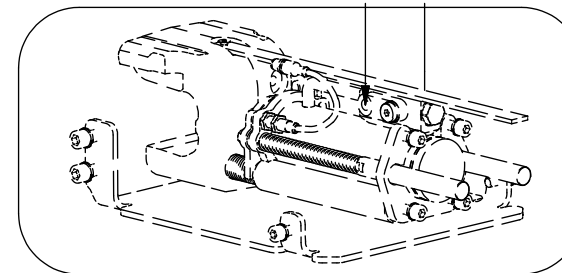
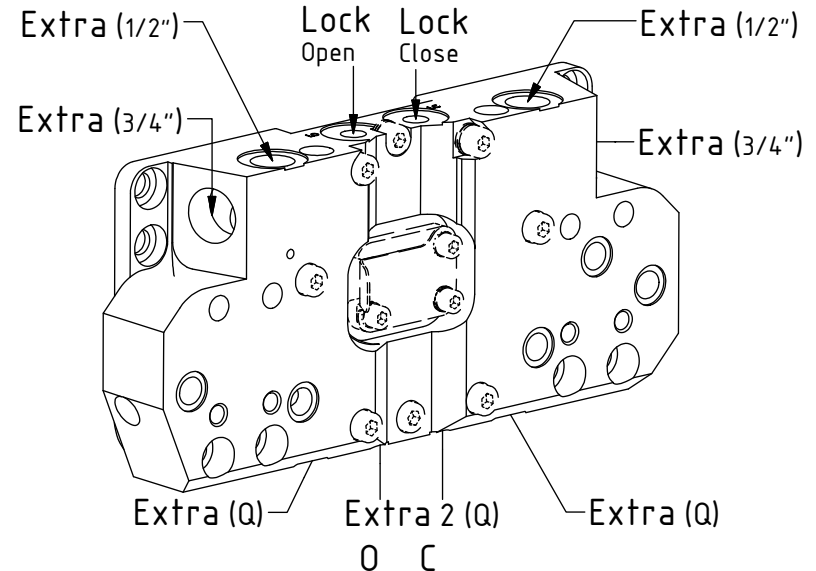


See instruction,
Standard components

EC219 - QSM60



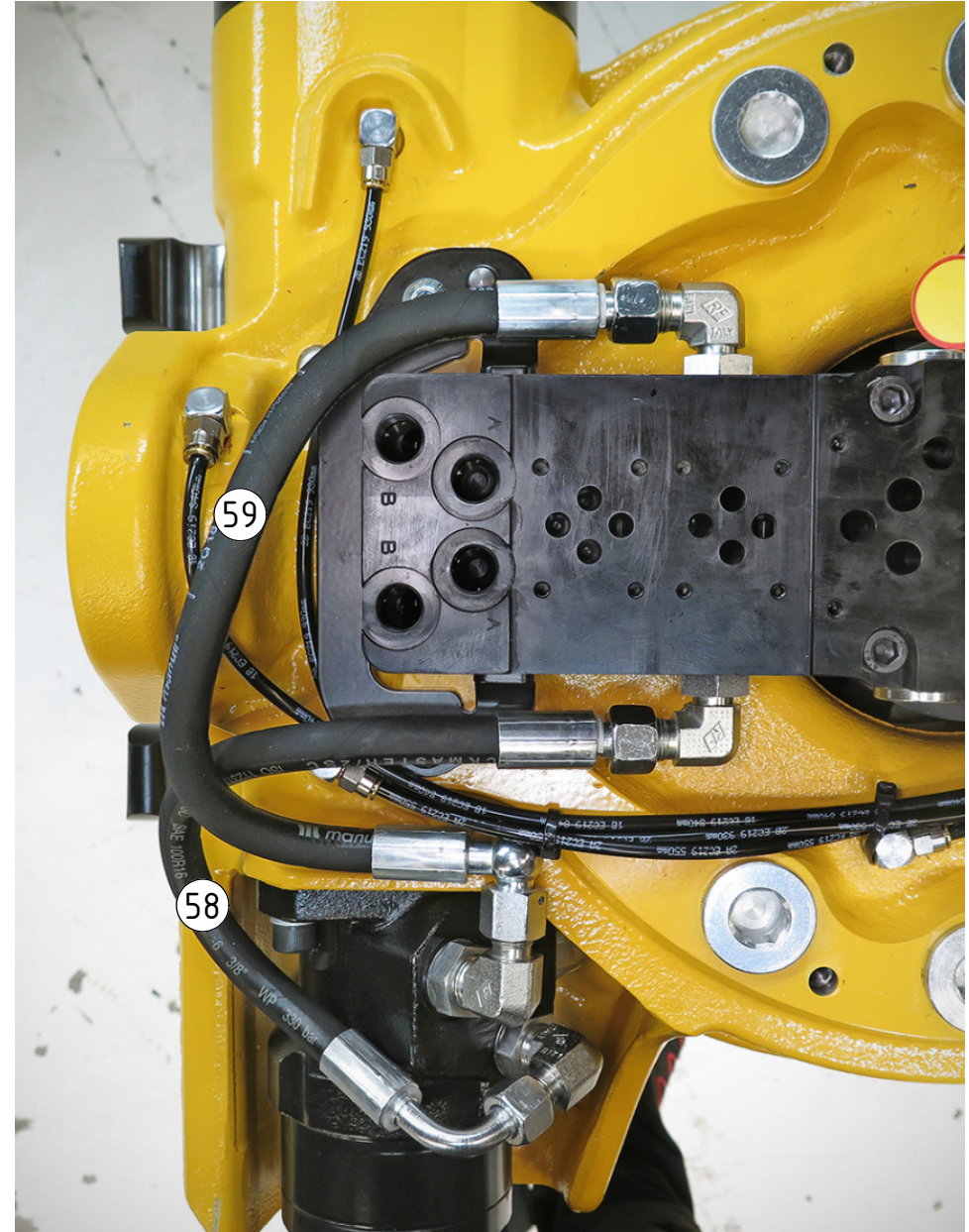
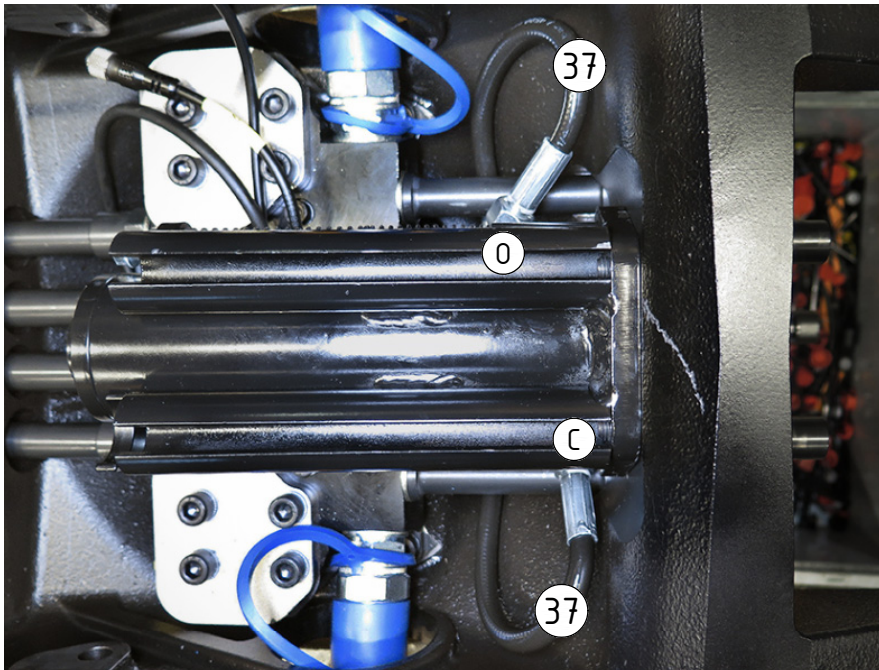
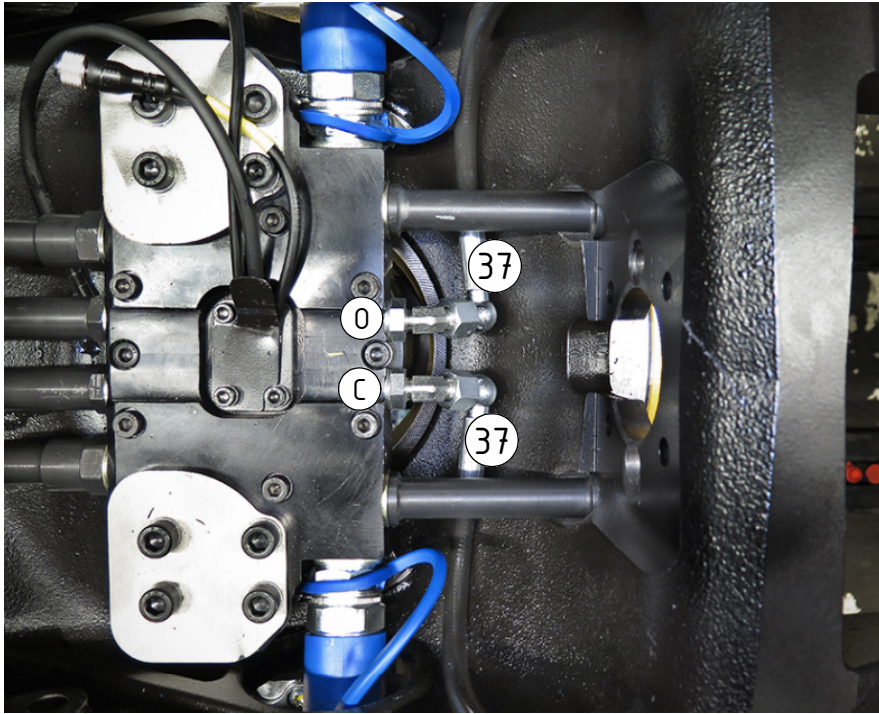
| POS | DESCRIPTION | PART | QTY | COMMENTS |
|-----|------------------------------|---------|-----|-----------------------------|
| 36 | Adapter 402-04-04 45° | 7000104 | 4 | |
| 37 | Hose Lock | 7000743 | 2 | |
| 38 | Sealing washer 1/2" | 710704 | 4 | QTY: 8 for QSM-Q |
| 39 | Adapter extension 1/2" Steel | 1045926 | 2 | QTY: 4 for QSM-Q |
| 40 | Quick coupling 1/2" | 790115 | 2 | |
| 41 | Dust Protection 1/2" | 790121 | 2 | |
| 42 | Sealing washer 3/4" | 710706 | 4 | |
| 43 | Adapter 136-12-12 | 710126 | 2 | |
| 44 | Quick coupling 3/4" | 790193 | 2 | |
| 45 | Dust Protection 3/4" | 790120 | 2 | |
| 48 | Plug 70125-08 (1/2") | 711500 | 2 | |
| 49 | Sealing washer 3/8" | 710703 | 4 | |
| 50 | Adapter extension 3/8" Steel | 1045927 | 2 | |
| 54 | QSM60 pipe GRD bolted | 1050423 | 2 | Loctite 2700 against POS.50 |
| 55 | Washer GBR04 1/4 | 710702 | 2 | |
| 56 | Quick Coupler 1/4" Male 2520 | 790111 | 2 | |
| 57 | Dust Protection 1/4" | 790119 | 2 | |



See instruction, Standard components

EC219 - QSM60

| POS | DESCRIPTION | PART | QTY | COMMENTS |
|-----|----------------------------|---------|-----|----------|
| 37 | Hose Lock | 7000743 | 2 | |
| 58 | Hose hydraulic motor Short | 7000725 | 1 | |
| 59 | Hose hydraulic motor Long | 7000724 | 1 | |

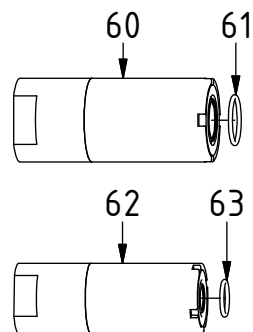


Related spare parts

| POS | DESCRIPTION | PART | QTY | COMMENTS |
|-----|-------------------------------------|---------|-----|--|
| 46 | Coupling ECO QSM 1/2" female V2 | 1055420 | 2 | Loctite 2700. (POS.47 included) |
| 47 | O-ring 18,4x1,95 (for V2) | 1050018 | 2 | |
| 51 | Coupling ECO QSM 3/8" female V2 | 1055682 | 2 | Loctite 2700. (POS.52 included) |
| 52 | O-ring 12,5/15,7x1,6 PU 94 (for V2) | 1052976 | 2 | |
| 60 | Coupling ECO QSM 1/2" female | 1034211 | 2 | Replaced by POS.46 from 2020-01 Loctite 2700. (POS.61 included) |
| 61 | O-ring 17.17x1.78 (Not for V2) | 710913 | 2 | Replaced by POS.47 from 2020-01 Separate seal kit: 7000046 |
| 62 | Coupling ECO QSM 3/8" female | 1047446 | 2 | Replaced by POS.51 from 2020-01 Loctite 2700. (POS.63 included) |
| 63 | O-ring 12,42x1,78 (Not for V2) | 712417 | 2 | Replaced by POS.52 from 2020-01 Seperate seal kit: 7000045 |

POS in order of assembly

QSM-Q:



O-rings between "V1" & "V2" couplings are not compatible